



US00D347245S

United States Patent [19]

[11] Patent Number: **Des. 347,245**

Cecchetti

[45] Date of Patent: **** May 24, 1994**

[54] SOCCER TABLE

[76] Inventor: **Claudio Cecchetti, Via Verdi, 54, Cernusco Sul Naviglio, (Milano), Italy**

[**] Term: **14 Years**

[21] Appl. No.: **729,400**

[22] Filed: **Jul. 12, 1991**

[30] Foreign Application Priority Data

Feb. 6, 1991 [IT] Italy M1910000109
 [52] U.S. Cl. **D21/11**
 [58] Field of Search 273/85 B-85 D,
 273/236-285; D21/7-11, 14-36

[56] References Cited

U.S. PATENT DOCUMENTS

D. 227,684	7/1973	Patterson	D21/11
D. 240,246	6/1976	Pierre	D21/11
D. 303,684	9/1989	Matsumoto et al.	D21/11
D. 314,985	2/1991	Monneret	D21/11
4,025,073	5/1977	Furr et al.	273/85 D

FOREIGN PATENT DOCUMENTS

1359795 3/1964 France 273/85 D

OTHER PUBLICATIONS

Foosball 6-Shooter, ©1970, foosball game.
 Home Soccer Game, foosball game.
 "Vending Times 1976 Buyers Guide" p. 145 Foosball game.

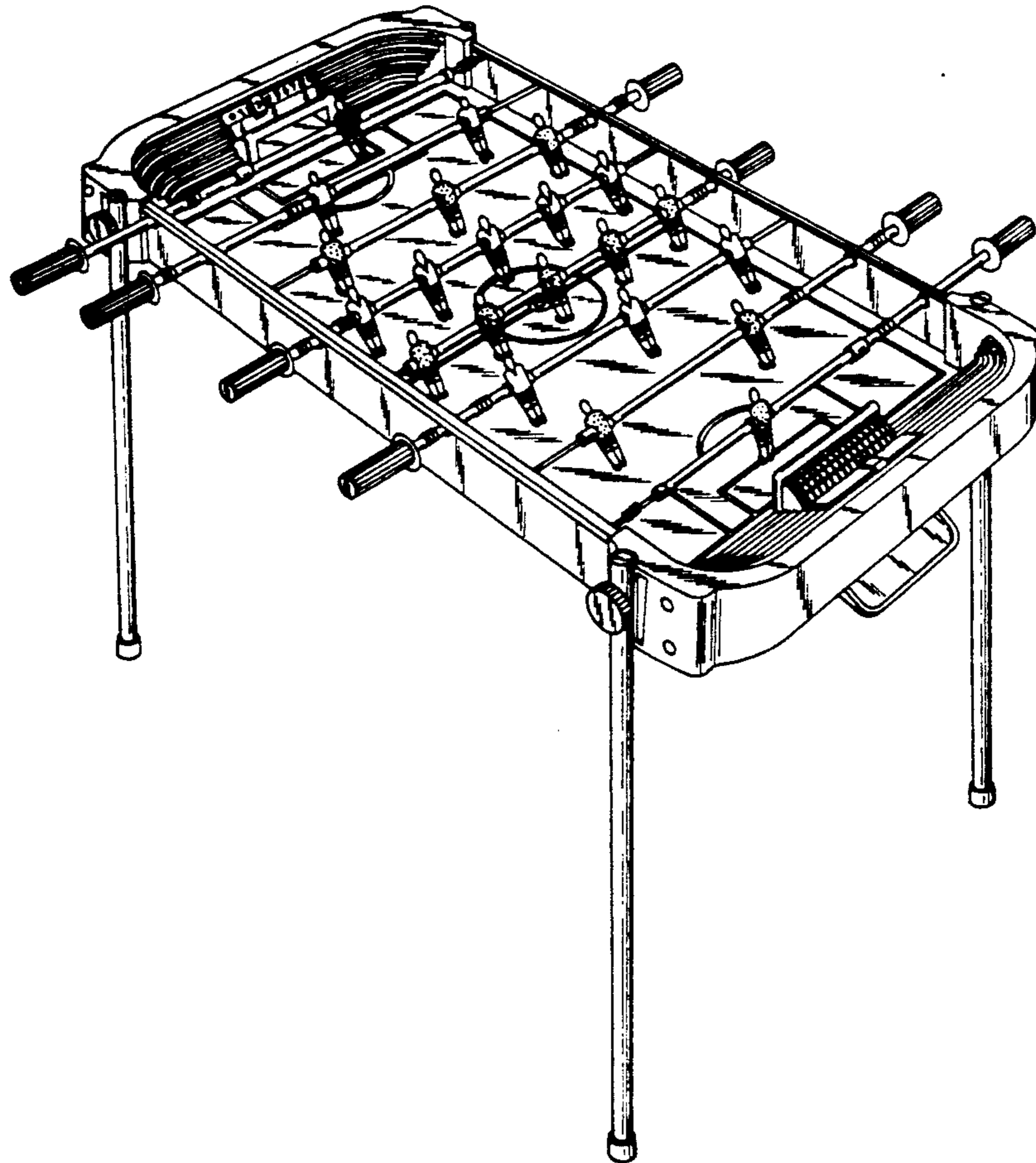
Primary Examiner—Bernard Ansher
Assistant Examiner—Sandra Morris
Attorney, Agent, or Firm—Herbert Dubno; Andrew Wilford

[57] CLAIM

The ornamental design for a soccer table, as shown and described.

DESCRIPTION

FIG. 1 is a perspective view of a soccer table showing my new design;
 FIG. 2 is an end elevational view thereof, the other side being identical;
 FIG. 3 is a side elevational view thereof, the other side being identical; and,
 FIG. 4 is a top plan view thereof, the bottom being plain and unornamental.



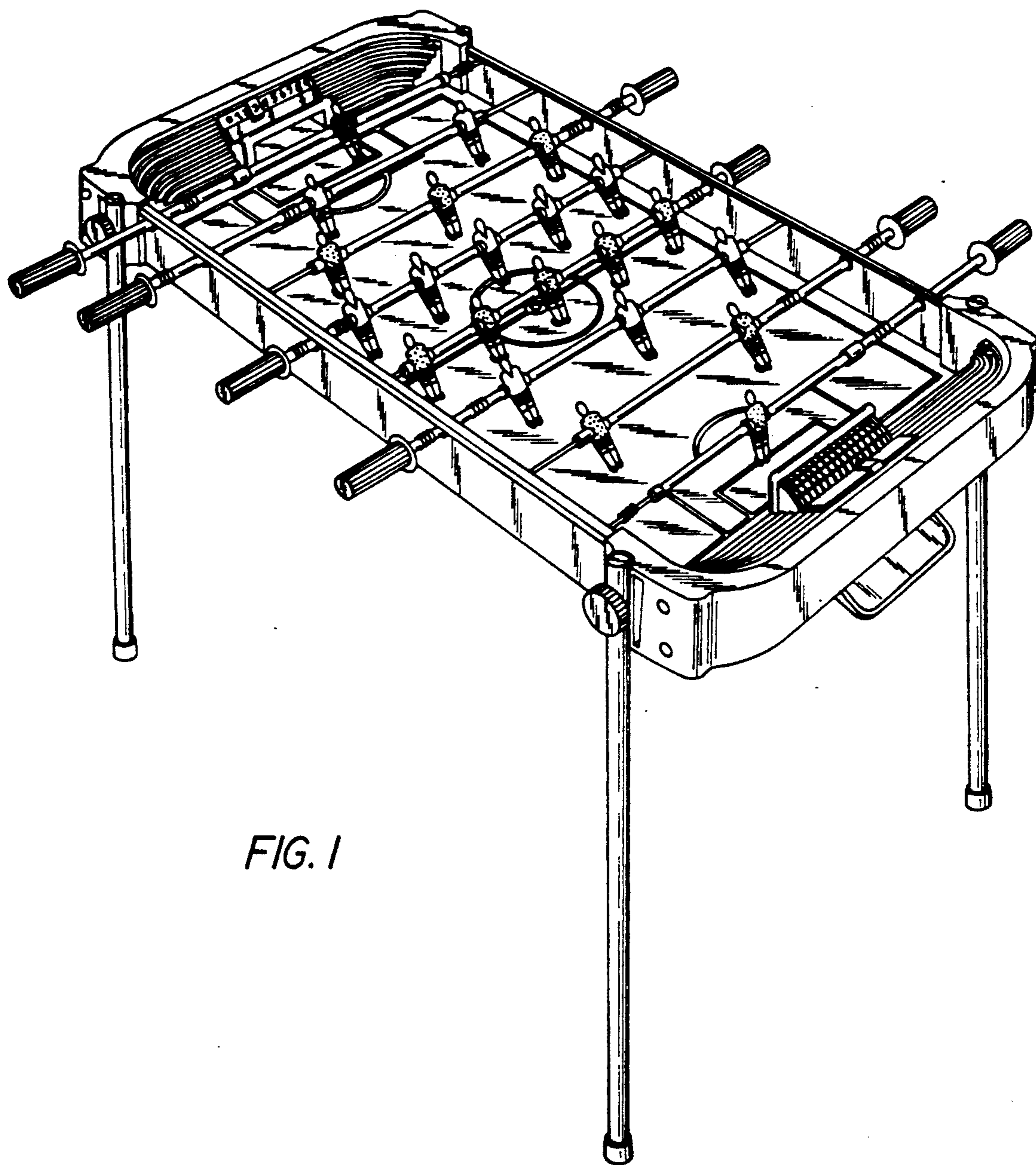


FIG. 1

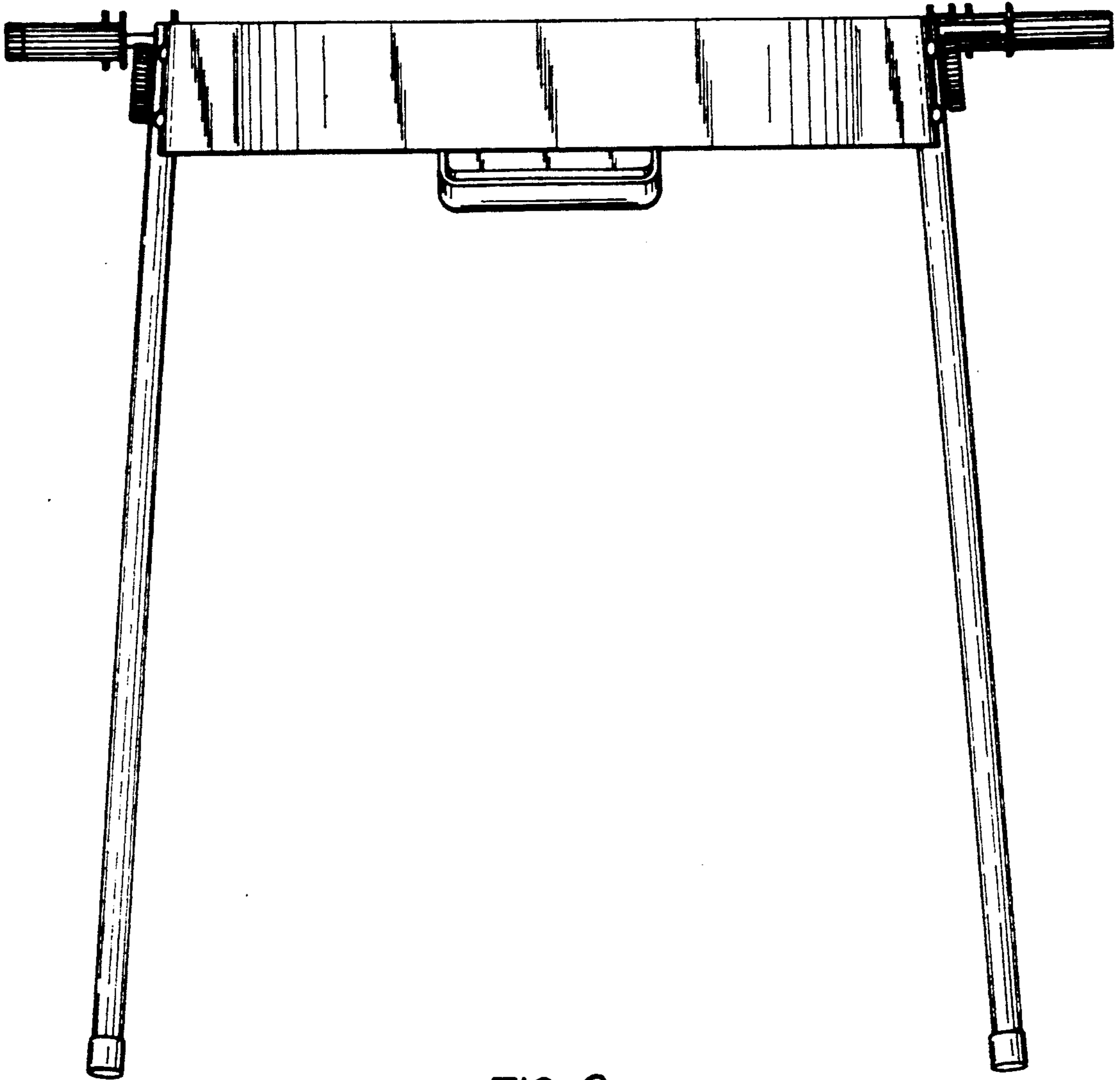


FIG. 2

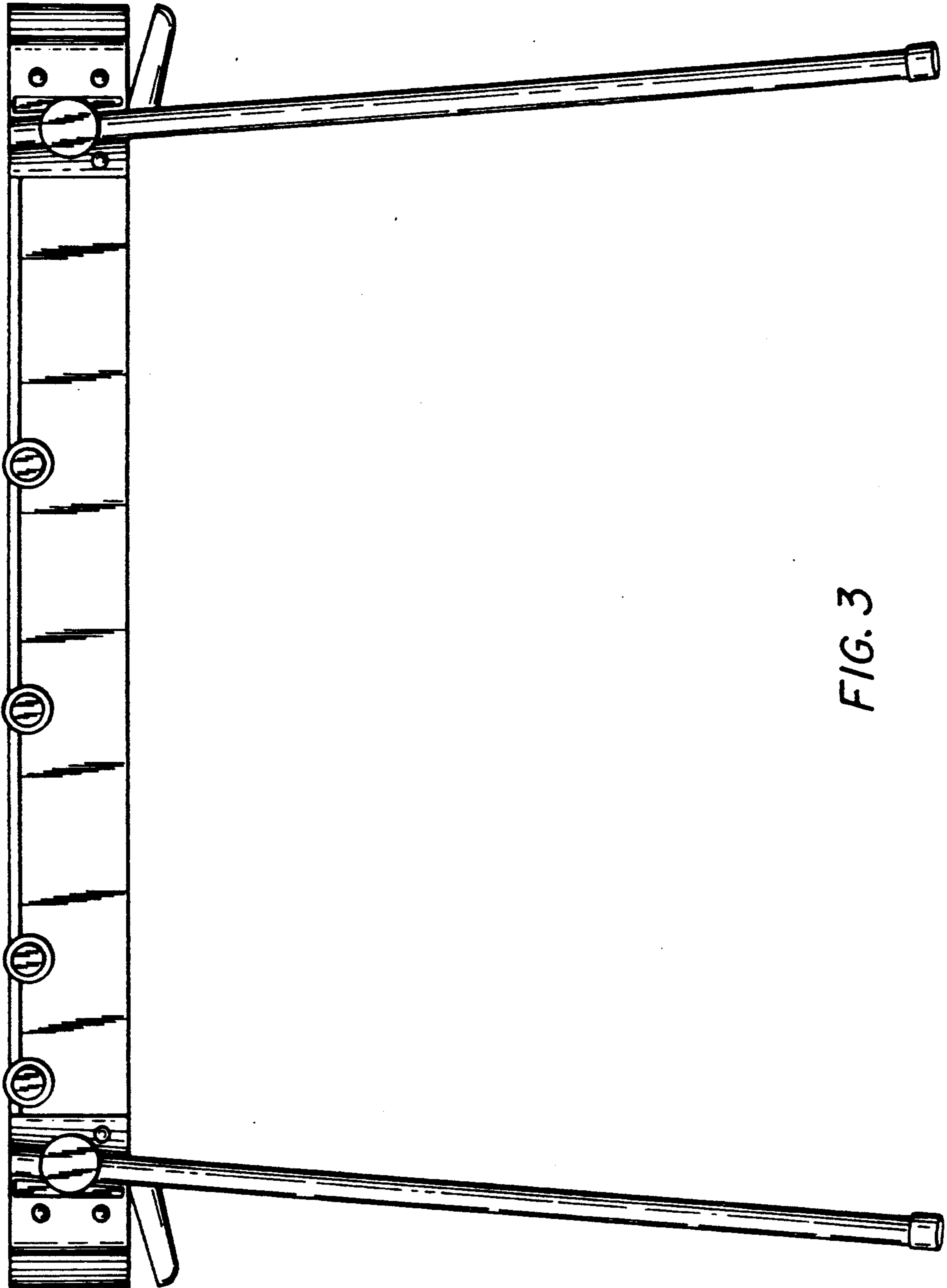


FIG. 3

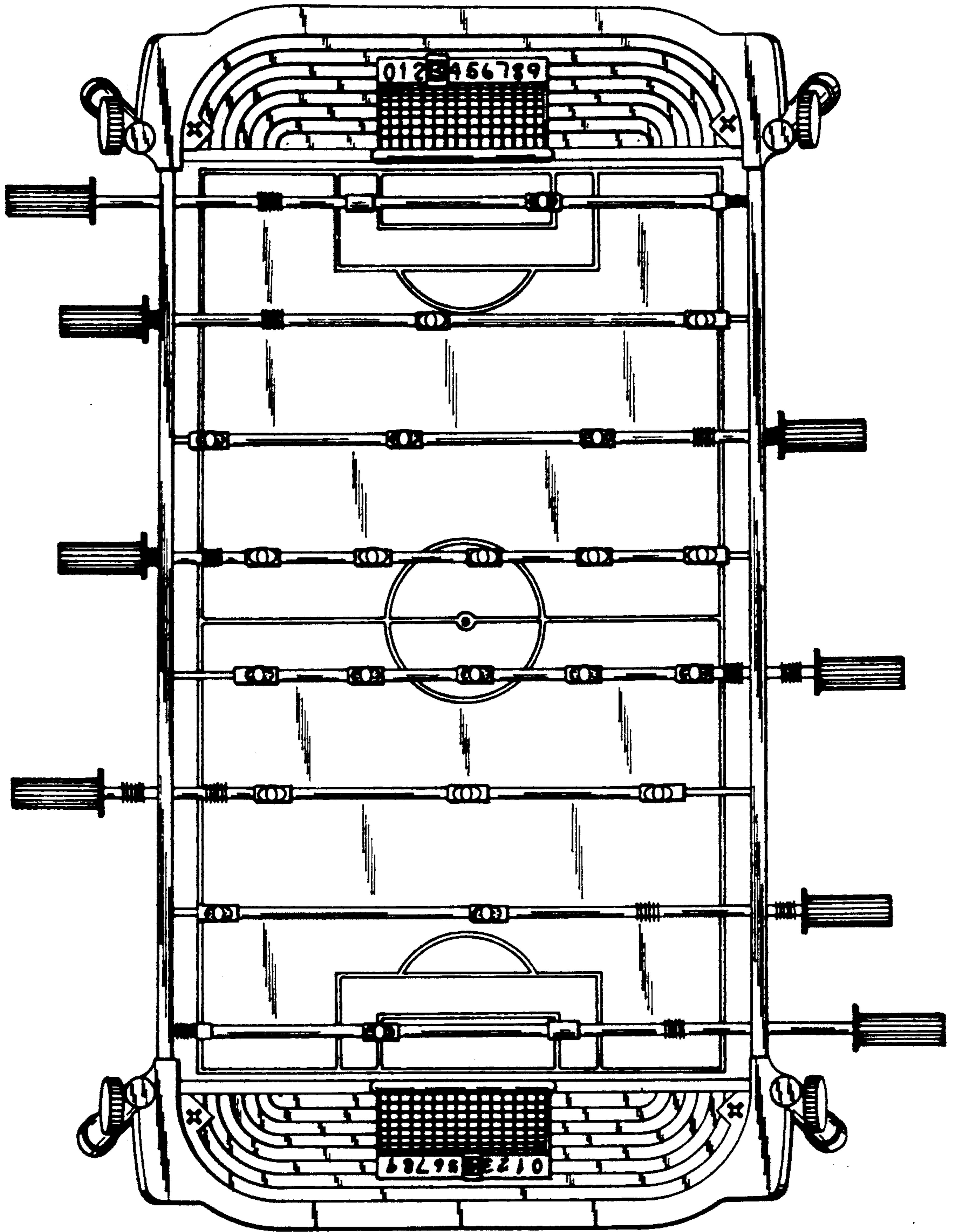


FIG. 4