



US00D347244S

United States Patent [19]

Whitmire

[11] Patent Number: **Des. 347,244**

[45] Date of Patent: **** May 24, 1994**

[54] **SIGN HOLDER**

[76] Inventor: **Betty A. Whitmire, 2600 Ridge Crest Ave., Orange Park, Fla. 32065**

[**] Term: **14 Years**

[21] Appl. No.: **548,779**

[22] Filed: **Jul. 6, 1990**

[52] U.S. Cl. **D20/41**

[58] Field of Search 40/1, 124, 124.1, 606, 40/607, 608, 584, 155; D20/10, 39, 40, 41, 42, 43

4,862,823 9/1989 Hughes 40/608
5,050,828 9/1991 Wolff 40/606

Primary Examiner—Wallace R. Burke
Assistant Examiner—Marcus Jackson
Attorney, Agent, or Firm—Steven R. Scott

[57] **CLAIM**

The ornamental design for sign holder, as shown and described.

DESCRIPTION

FIG. 1 is a front perspective view of a sign holder showing my new design, with the post broken away in the center to indicate indeterminate length, and with the broken line showing for illustrative purposes only and forming no part of the claimed design;

FIG. 2 is a cross-sectional view looking in the direction of lines 2—2 of FIG. 3;

FIG. 3 is a front elevational view thereof;

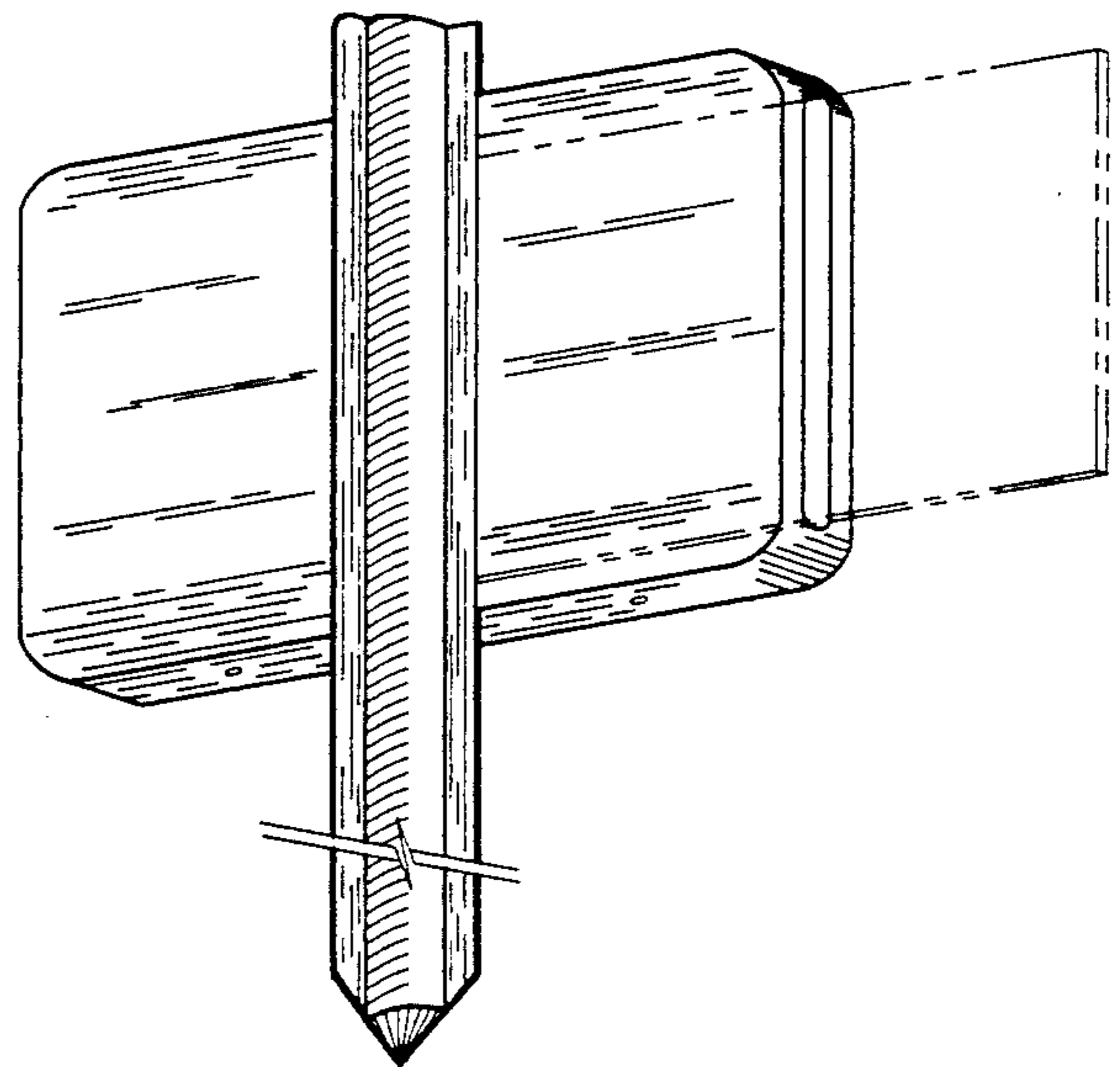
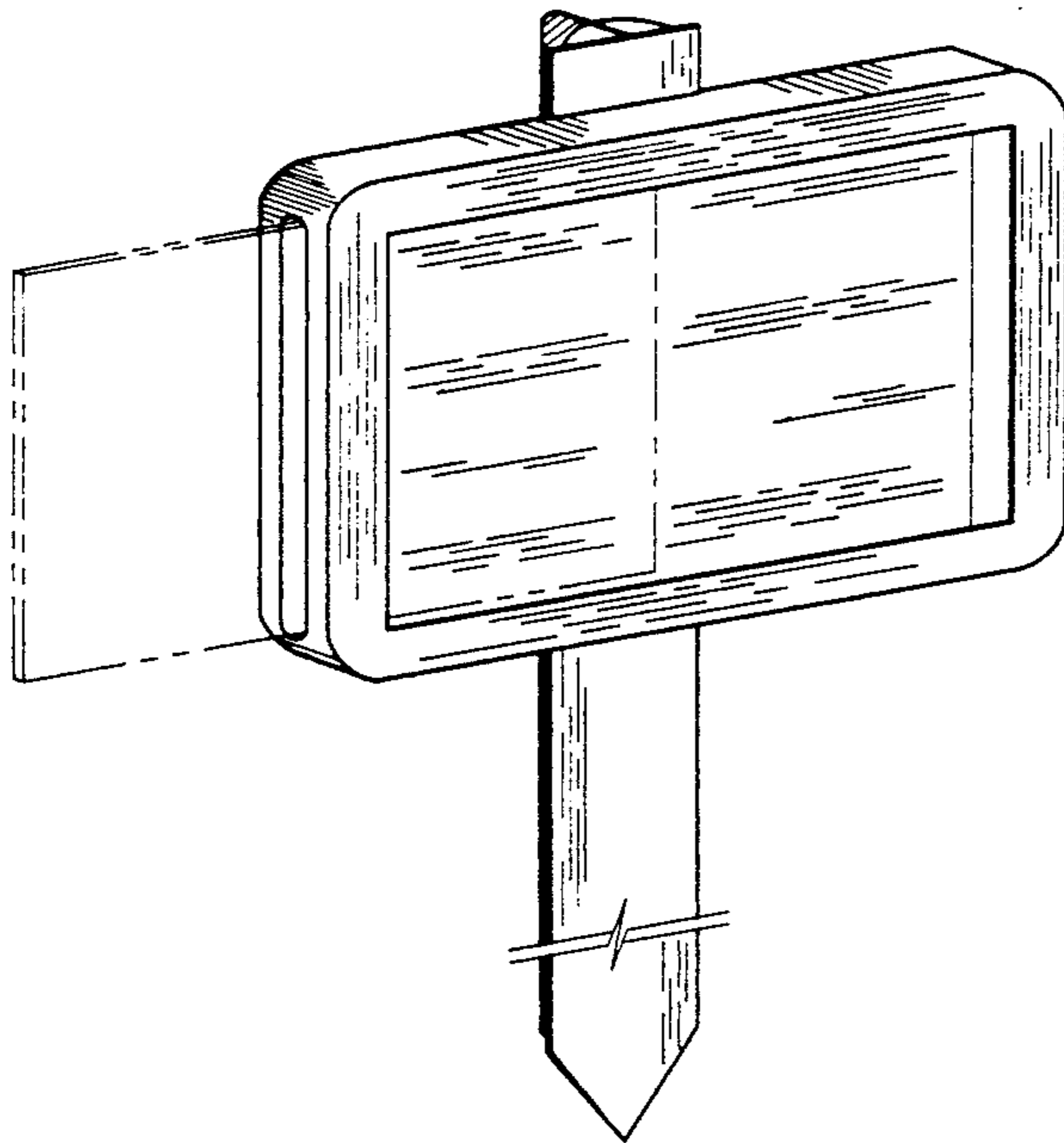
FIG. 4 is a cross-sectional view looking in the direction of lines 4—4 of FIG. 3; and,

FIG. 5 is a rear perspective view thereof.

[56] **References Cited**

U.S. PATENT DOCUMENTS

D. 265,746	8/1982	Robillard	D20/41
1,849,361	3/1932	Brett	40/606
3,608,220	9/1971	Fryrear	40/606
3,935,653	2/1976	Klein	40/155
4,786,025	11/1988	Shuman	40/606
4,793,083	12/1988	McDonald	40/606



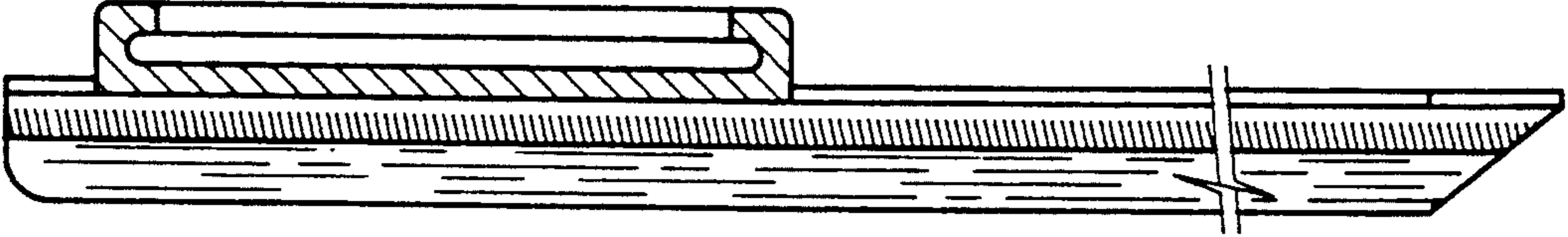


Fig. 2

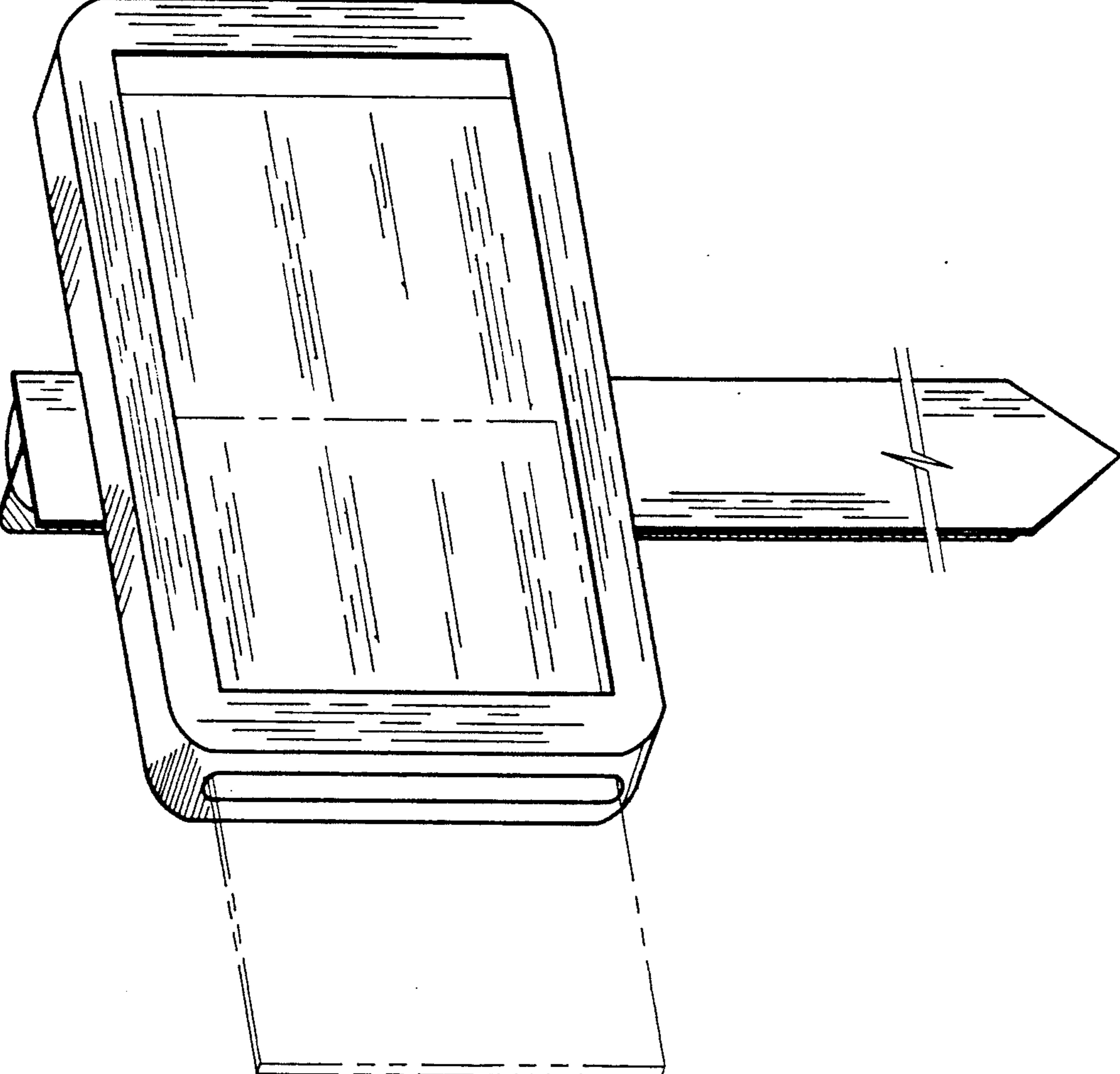


Fig. 1

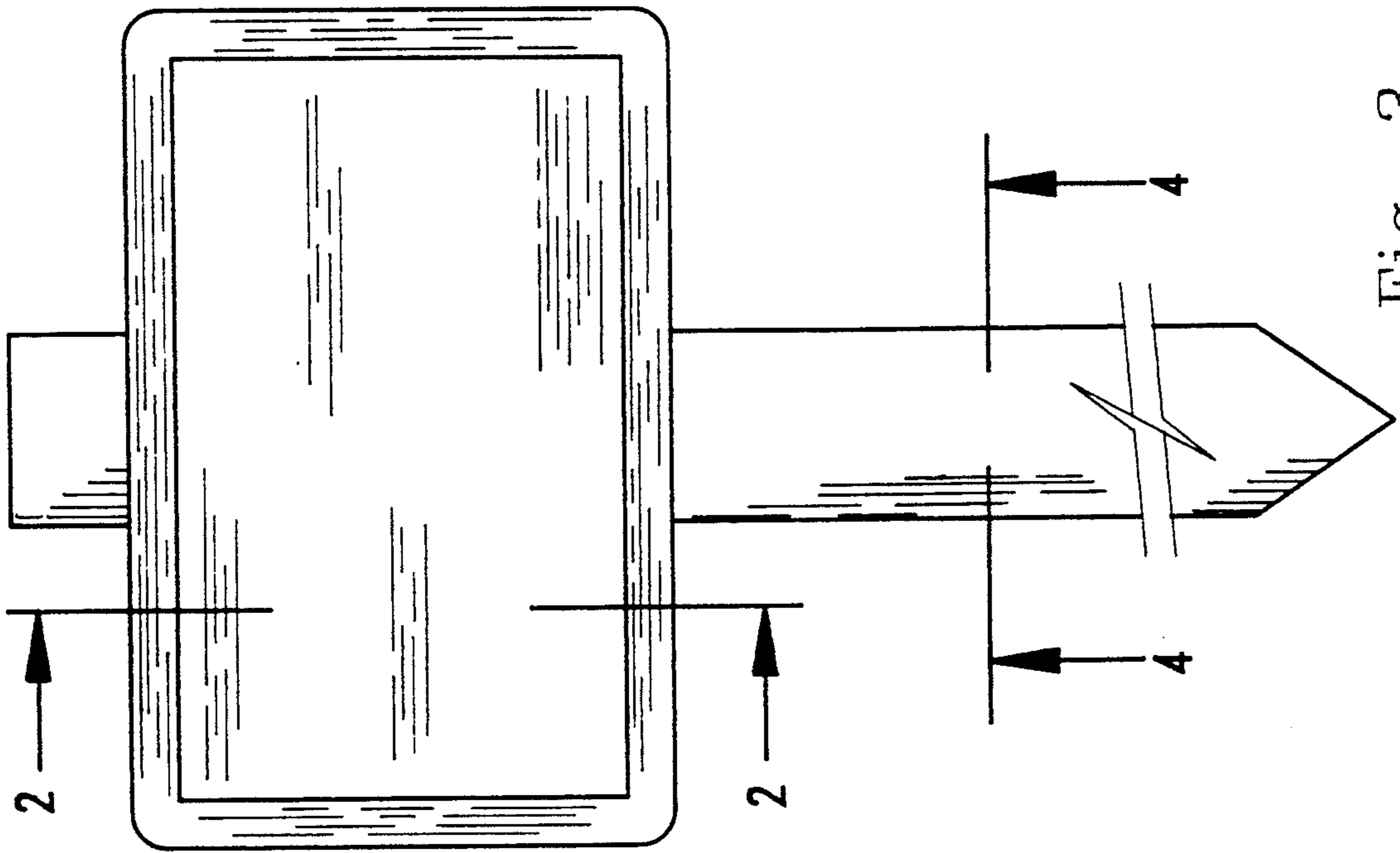


Fig. 3

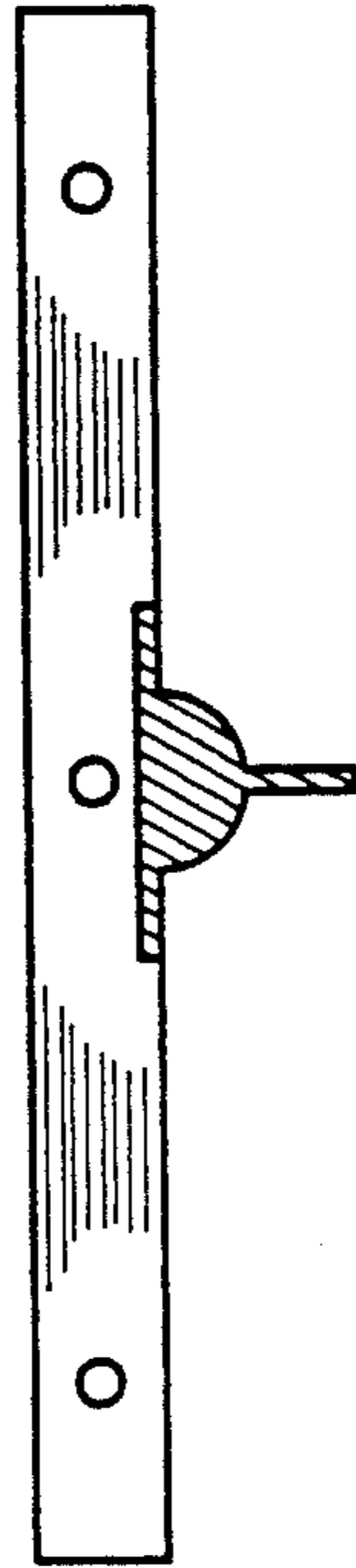


Fig. 4

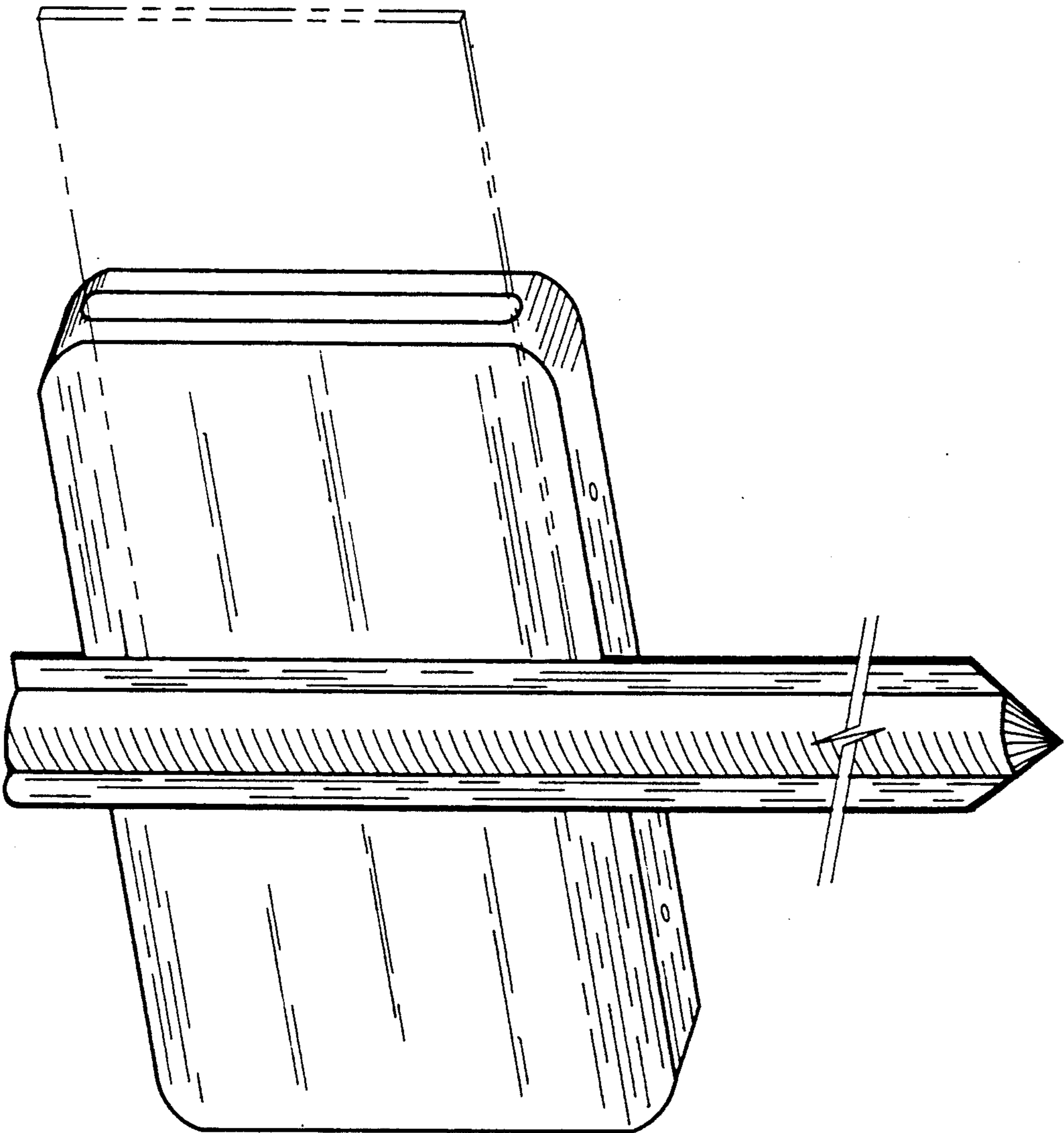


Fig. 5