



US00D347243S

United States Patent [19]

[11] Patent Number: **Des. 347,243**

Thomas-Cote et al.

[45] Date of Patent: **** May 24, 1994**

[54] LABEL DISPENSER

[75] Inventors: **Nancy Thomas-Cote**, Long Beach;
Charles Curbun, Leucadia, both of Calif.

[73] Assignee: **Barbara Thomas Enterprises, Inc.**,
Huntington Beach, Calif.

[**] Term: **14 Years**

[21] Appl. No.: **914,202**

[22] Filed: **Jul. 14, 1992**

[52] U.S. Cl. **D19/69; D19/67;**
D10/72

[58] Field of Search **D6/515, 518; 225/7,**
225/6, 19, 24, 29, 34, 35, 36, 45, 54, 56, 65, 77,
89; 242/84.8, 85, 107.2, 107.3; 156/525, 526,
527, 510, 384; D19/65, 67, 68, 69; D10/72

[56] **References Cited**

U.S. PATENT DOCUMENTS

- D. 177,214 3/1956 Castelli et al. D19/69
- D. 188,150 6/1960 Gershen D19/69
- D. 211,054 5/1968 Heuer D10/72

- D. 228,149 8/1973 Bennett D10/72
- D. 289,742 5/1987 Blakely et al. D10/72
- D. 332,414 1/1993 Bordenave D10/72
- D. 339,536 9/1993 Ribron D10/72

Primary Examiner—Nelson C. Holtje
Assistant Examiner—Martie Thompson
Attorney, Agent, or Firm—Fulwider, Patton Lee & Utecht

[57] **CLAIM**

The ornamental design for a label dispenser, as shown and described.

DESCRIPTION

FIG. 1 is a front perspective view of a label dispenser showing our new design;
 FIG. 2 is a front elevational view thereof;
 FIG. 3 is a rear elevational view thereof;
 FIG. 4 is a side elevational view thereof showing the side of the label dispenser visible in FIG. 1;
 FIG. 5 is a side elevational view of the side opposite of that shown in FIG. 4;
 FIG. 6 is a top plan view; and,
 FIG. 7 is a bottom view thereof.

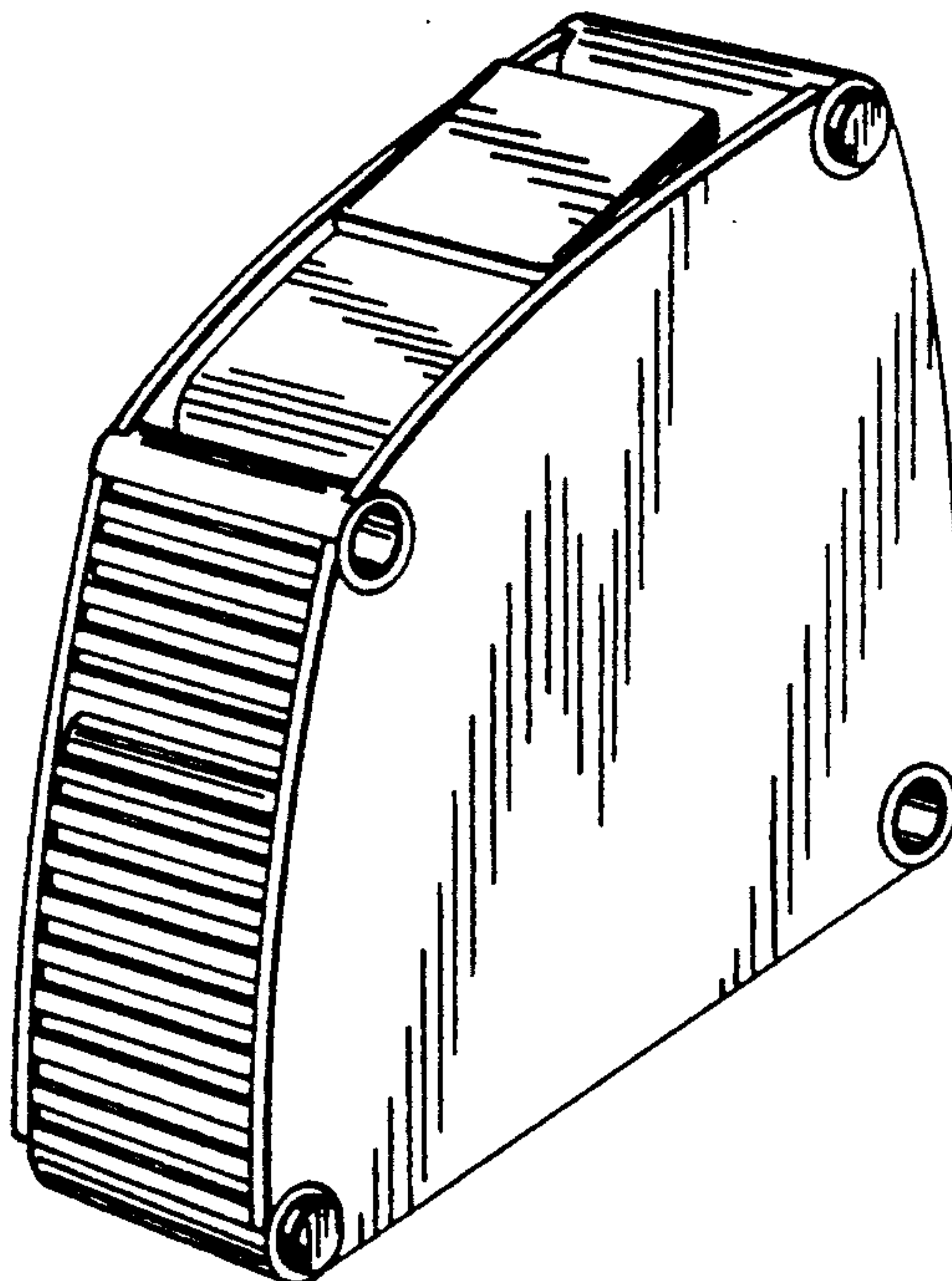


FIG. 1

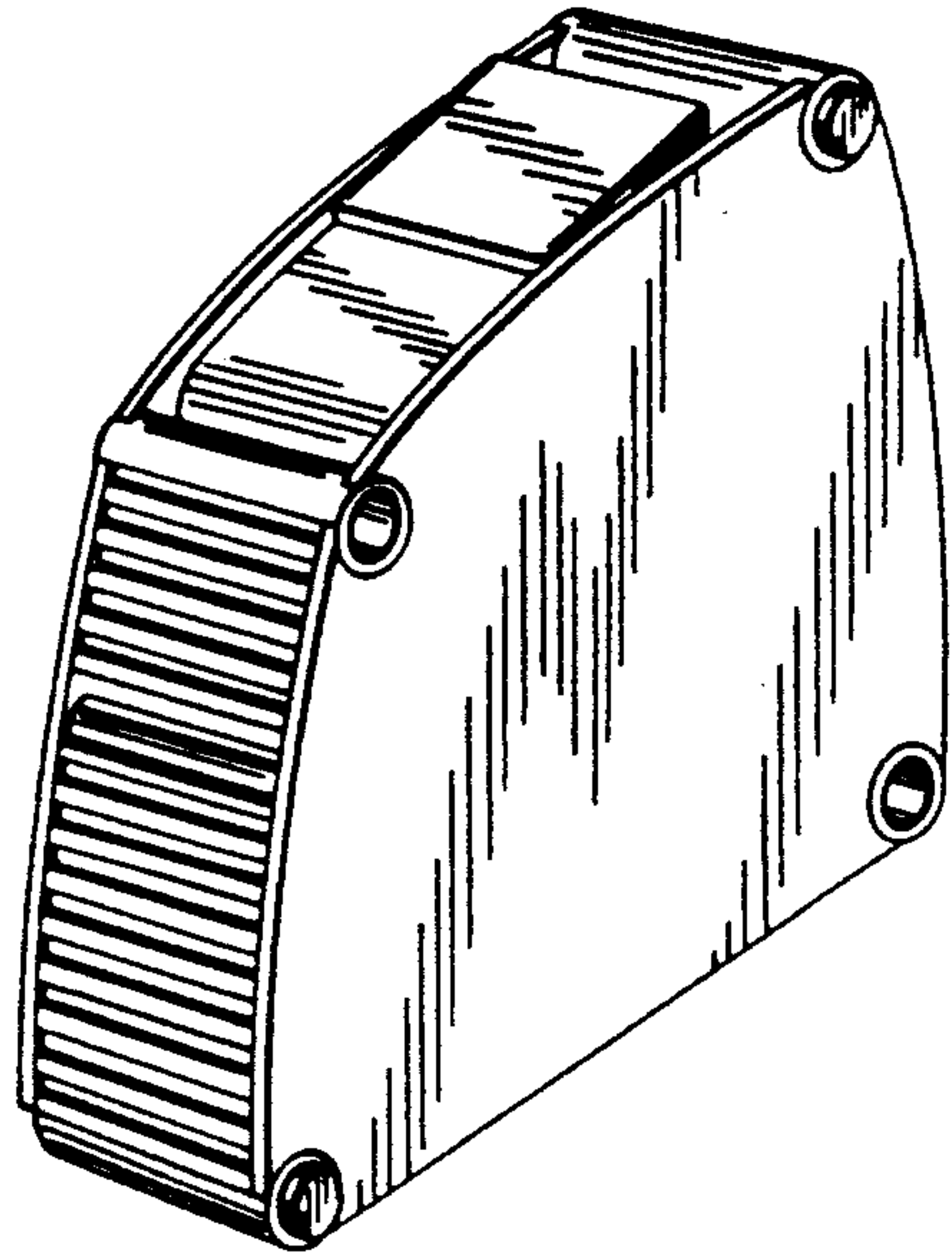


FIG. 2

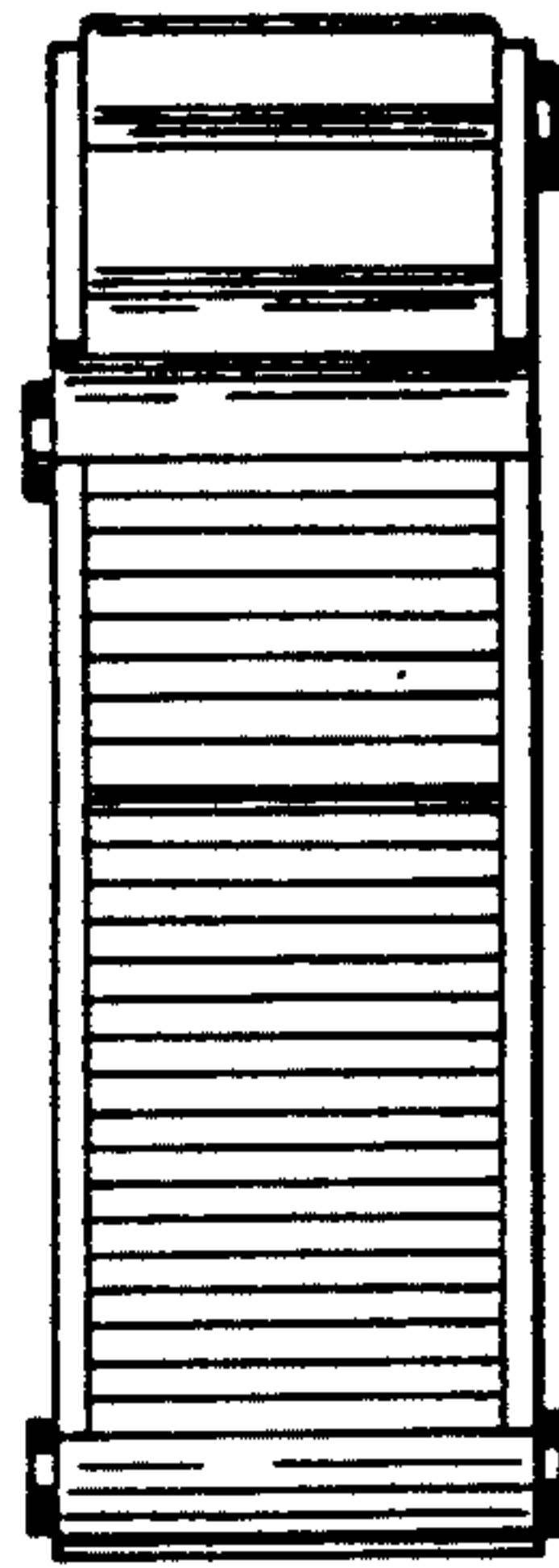


FIG. 3

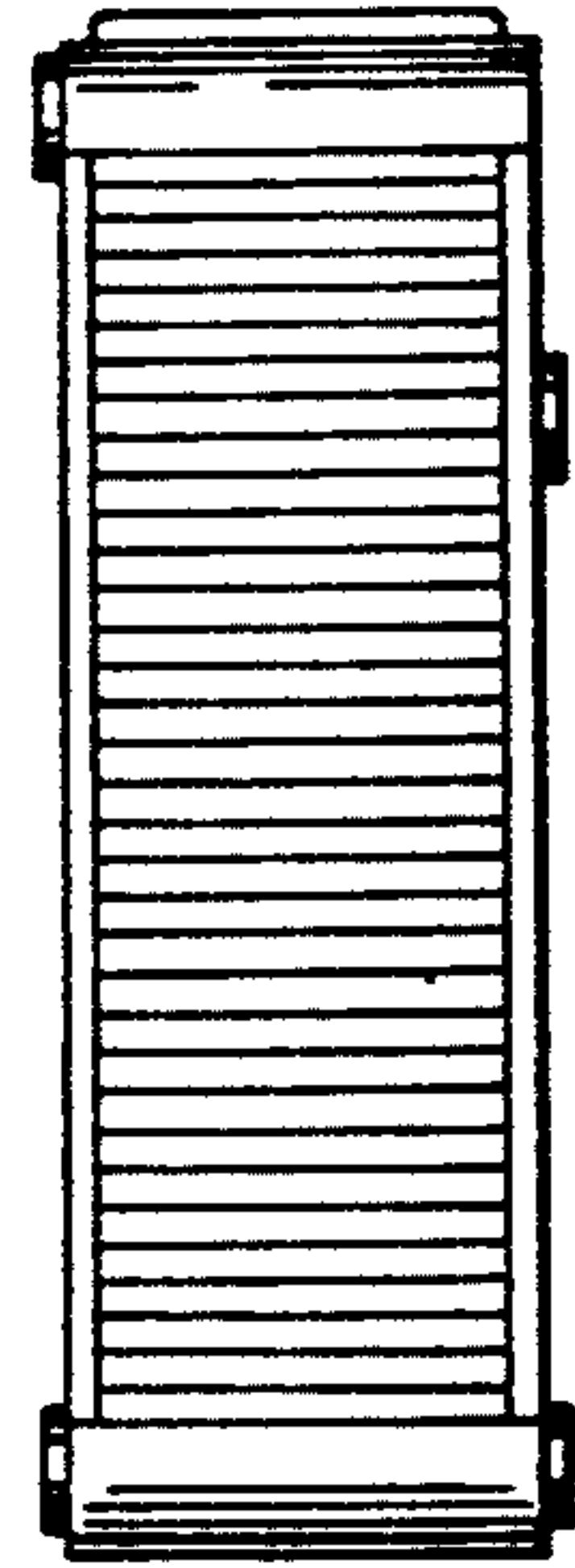


FIG. 4

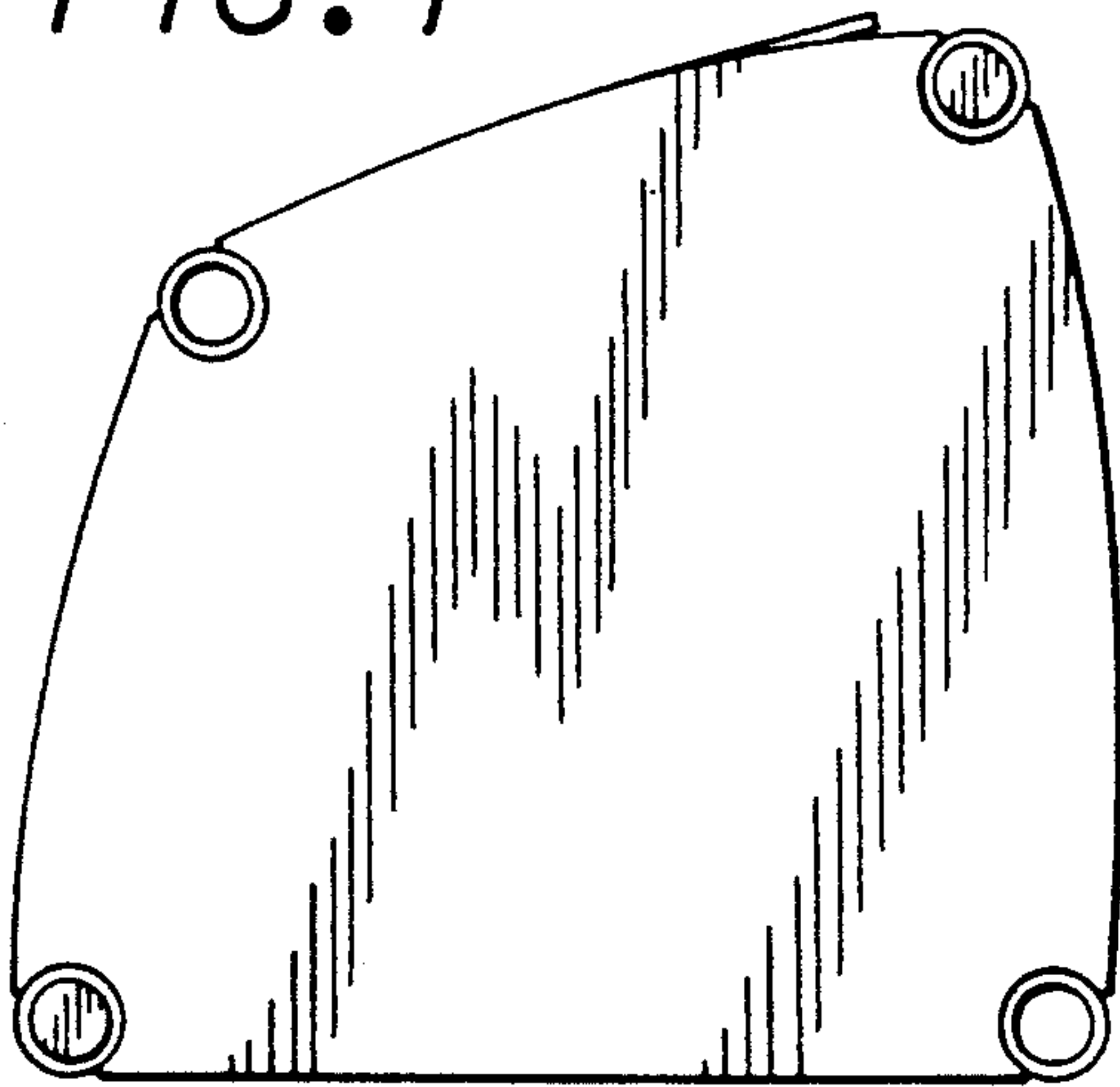


FIG. 5

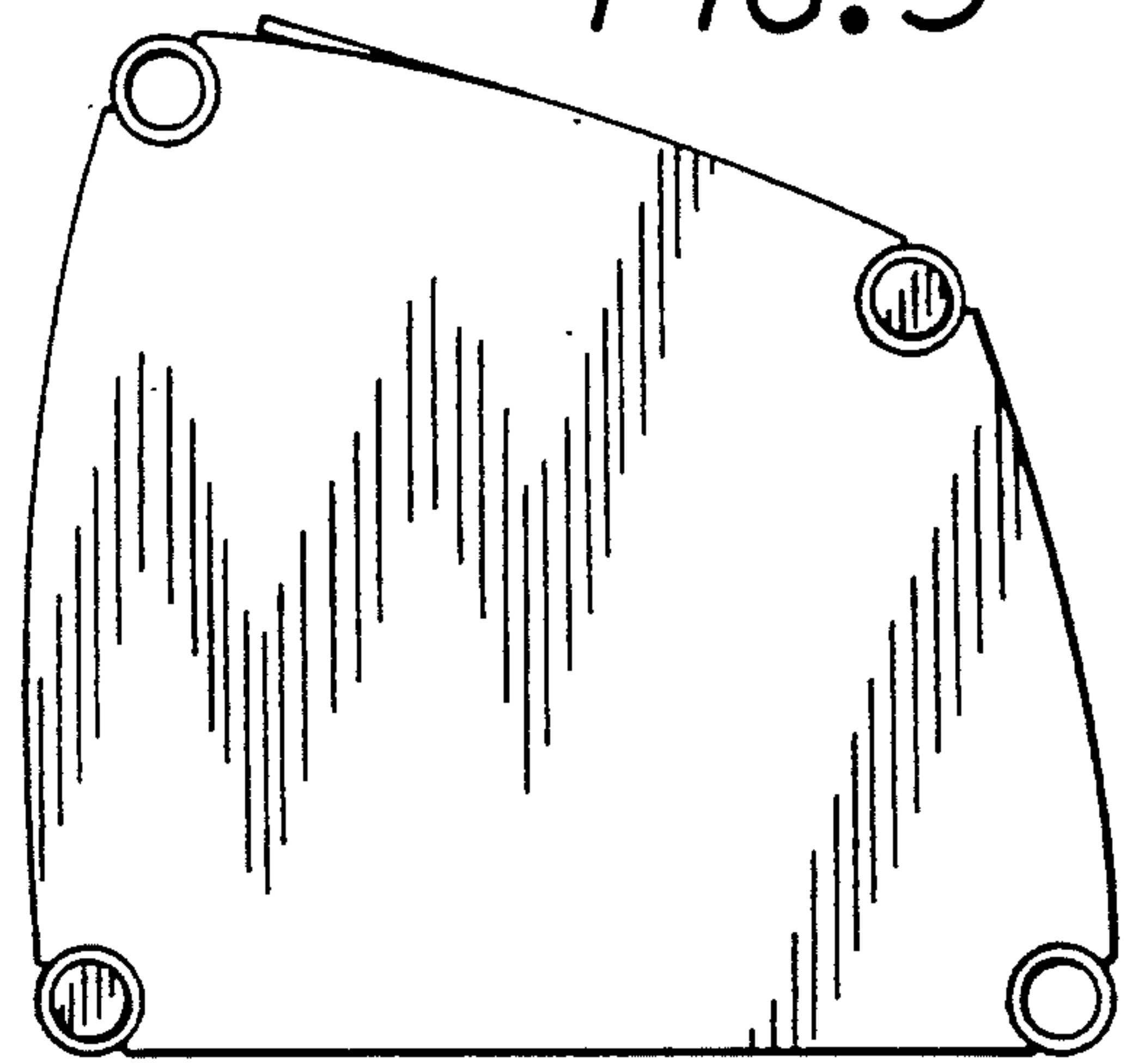


FIG. 6

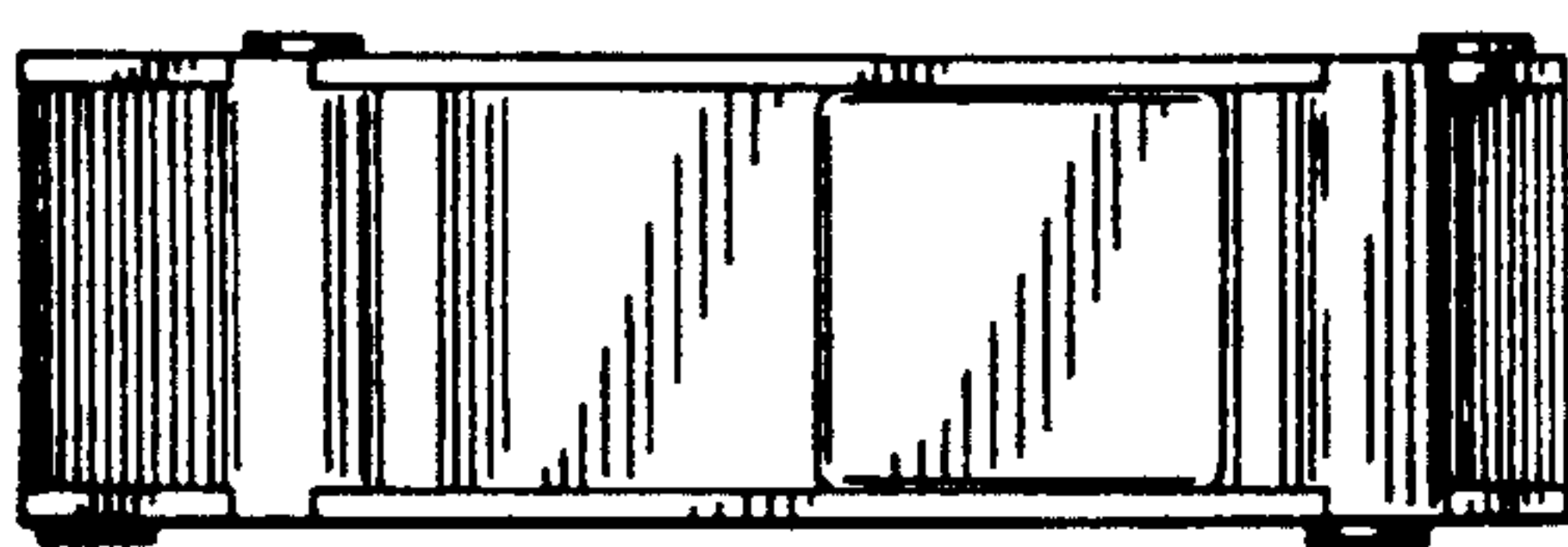


FIG. 7

