



US00D347239S

United States Patent [19]

[11] Patent Number: **Des. 347,239**

Okamoto et al.

[45] Date of Patent: **** May 24, 1994**

[54] INK JET PRINTER

[75] Inventors: **Eiichi Okamoto; Kenji Kojima**, both of Tokyo, Japan

[73] Assignee: **Fuji Photo Film Co., Ltd.**, Kanagawa, Japan

[**] Term: **14 Years**

[21] Appl. No.: **1,789**

[22] Filed: **Nov. 24, 1992**

[30] Foreign Application Priority Data

May 25, 1992 [JP] Japan 4-15205

[52] U.S. Cl. **D18/53**

[58] Field of Search 430/367, 368; 355/78, 355/84, 97, 99; 400/611, 691, 693; 346/134, 136, 145, 29; D18/50, 52-53, 54, 55

[56] References Cited

U.S. PATENT DOCUMENTS

D. 236,351	8/1975	Clayton et al.	D18/52
D. 319,071	8/1991	Tamasaku et al.	D18/53
D. 332,623	1/1993	Iwanaga	D18/52
D. 339,374	9/1993	Chow et al.	D18/53
D. 340,066	10/1993	Iwanaga	D18/53
4,111,551	9/1978	Klann	355/84
4,734,716	3/1988	Silverberg et al.	346/136
4,996,651	2/1991	Wells	346/29
5,028,154	7/1991	Cull	400/611

5,092,696	3/1992	Armiroli et al.	400/611
5,117,242	5/1992	Matsushima	346/136
5,150,131	9/1992	Le Jaoudour	346/134

OTHER PUBLICATIONS

Data Access Systems, Inc. brochure; DASI-360 printer.

Blu-Ray Model 452 brochure; 1986;

Tally 2000 Serier line printer brochure, Aug. 1977; Cover pg.;

Omni Plotter brochure, Sep. 1991; cover photograph;

Mannesmann Talley MT661 line impact printer brochure; Jun. 1992; Cover pg.

Primary Examiner—Cathy Anne MacCormac

Attorney, Agent, or Firm—Young & Thompson

[57] CLAIM

The ornamental design for an ink jet printer, as shown.

DESCRIPTION

FIG. 1 is a top, front and side perspective view of an ink jet printer showing our new design;

FIG. 2 is a front elevational view thereof;

FIG. 3 is a rear elevational view thereof;

FIG. 4 is a top plan view thereof;

FIG. 5 is a bottom plan view thereof;

FIG. 6 is a side elevational view thereof from the left of FIG. 2; and,

FIG. 7 is a side elevational view thereof from the right of FIG. 2.

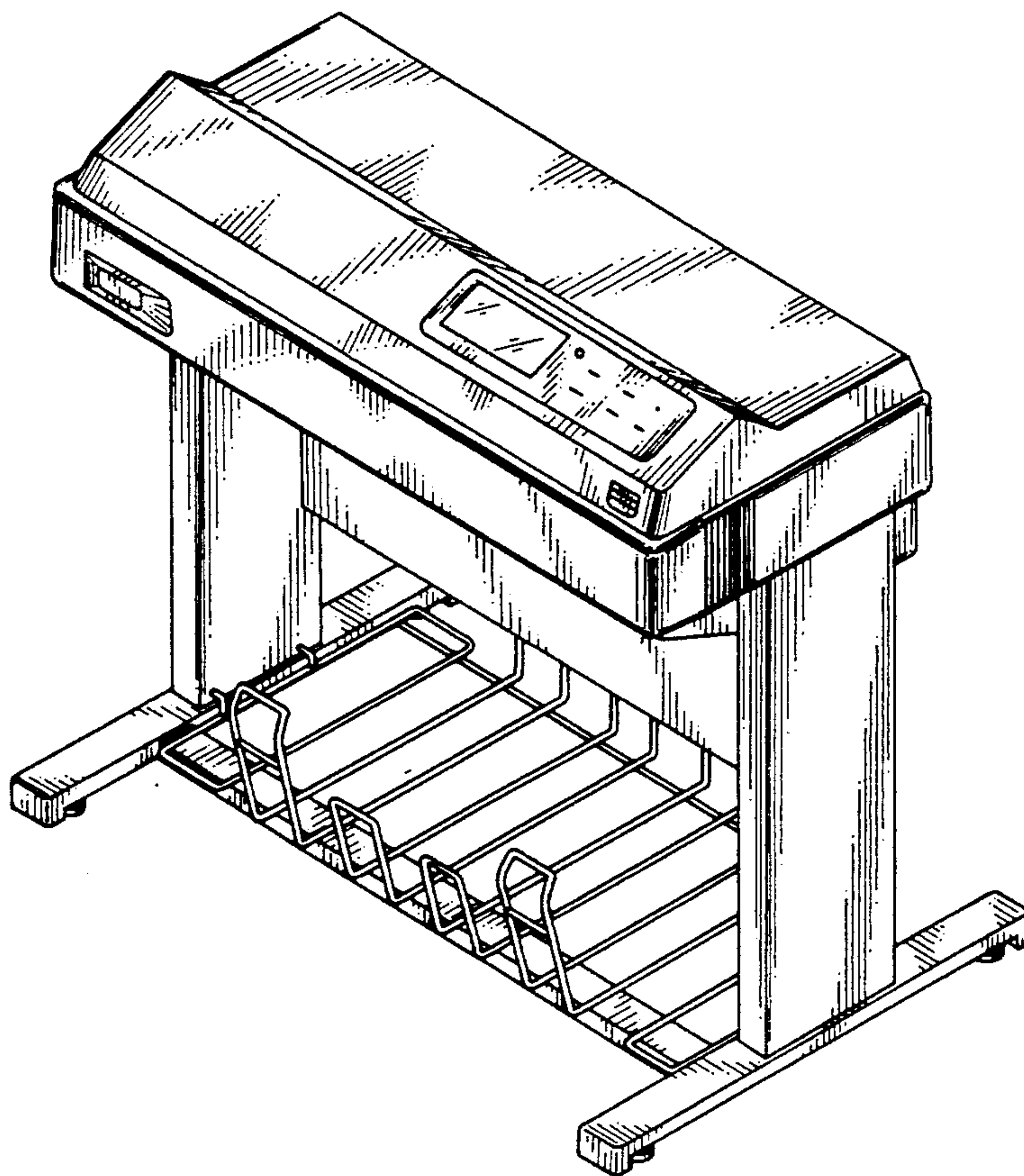


FIG. 1

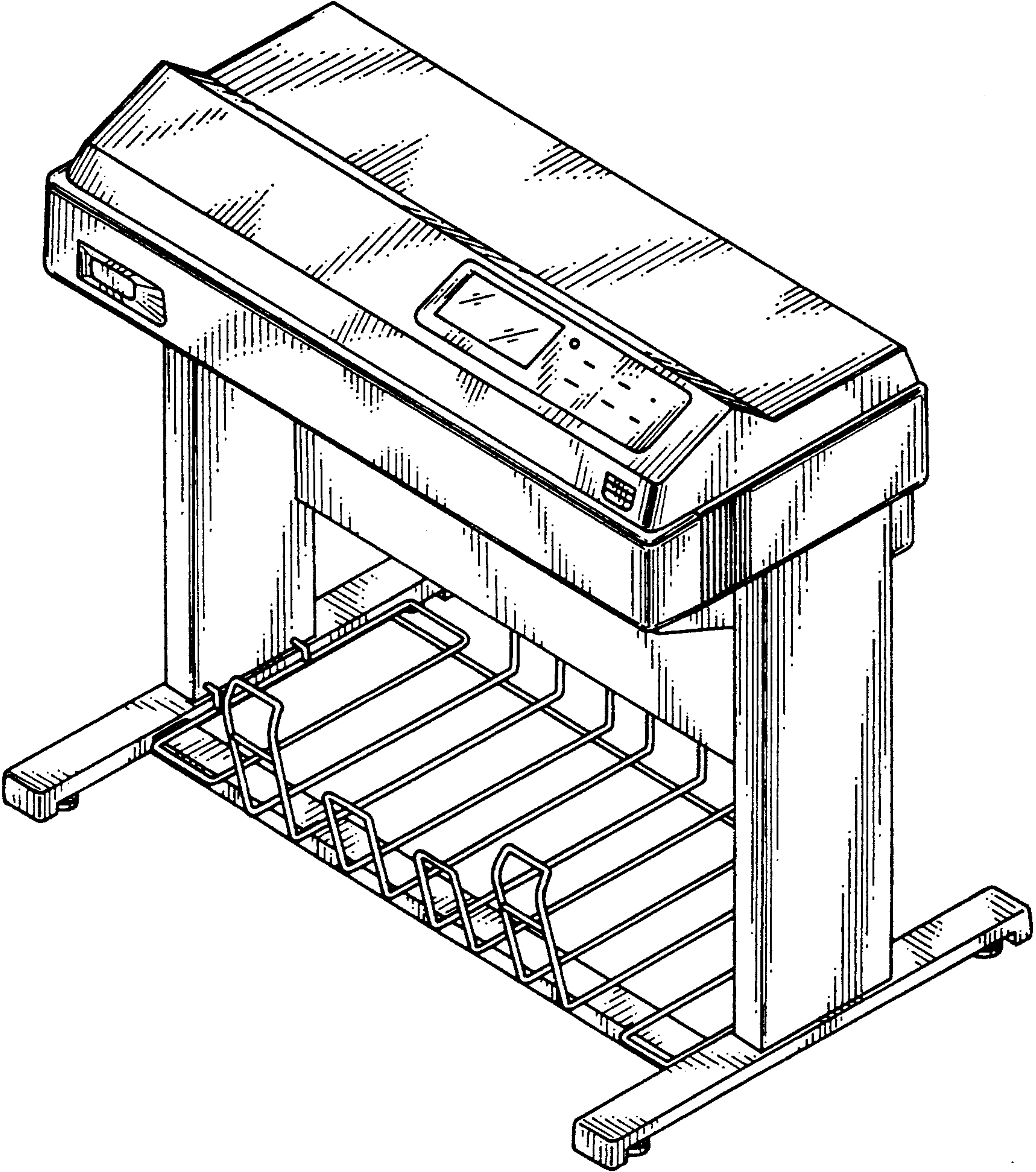


FIG. 2

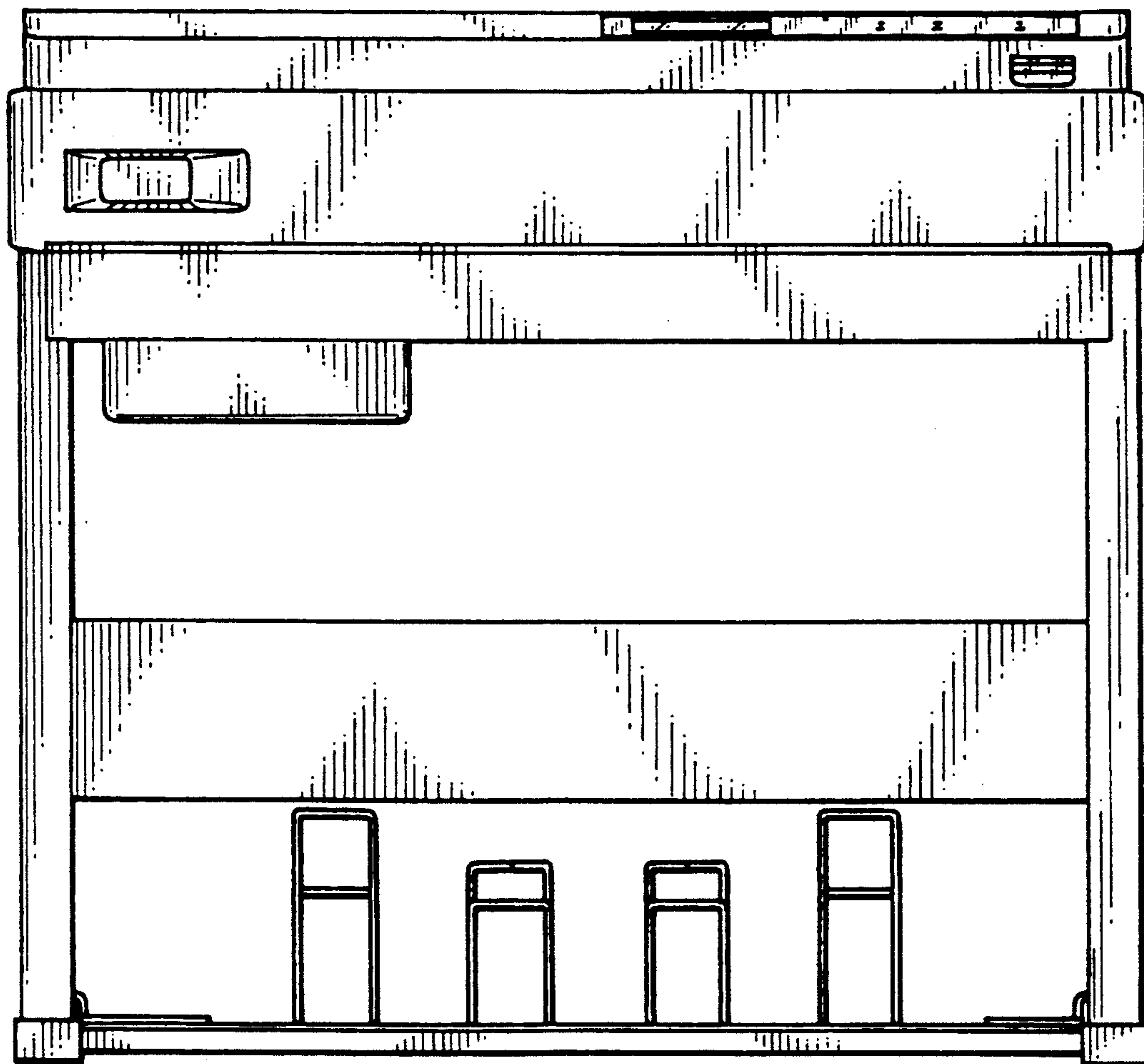


FIG. 3

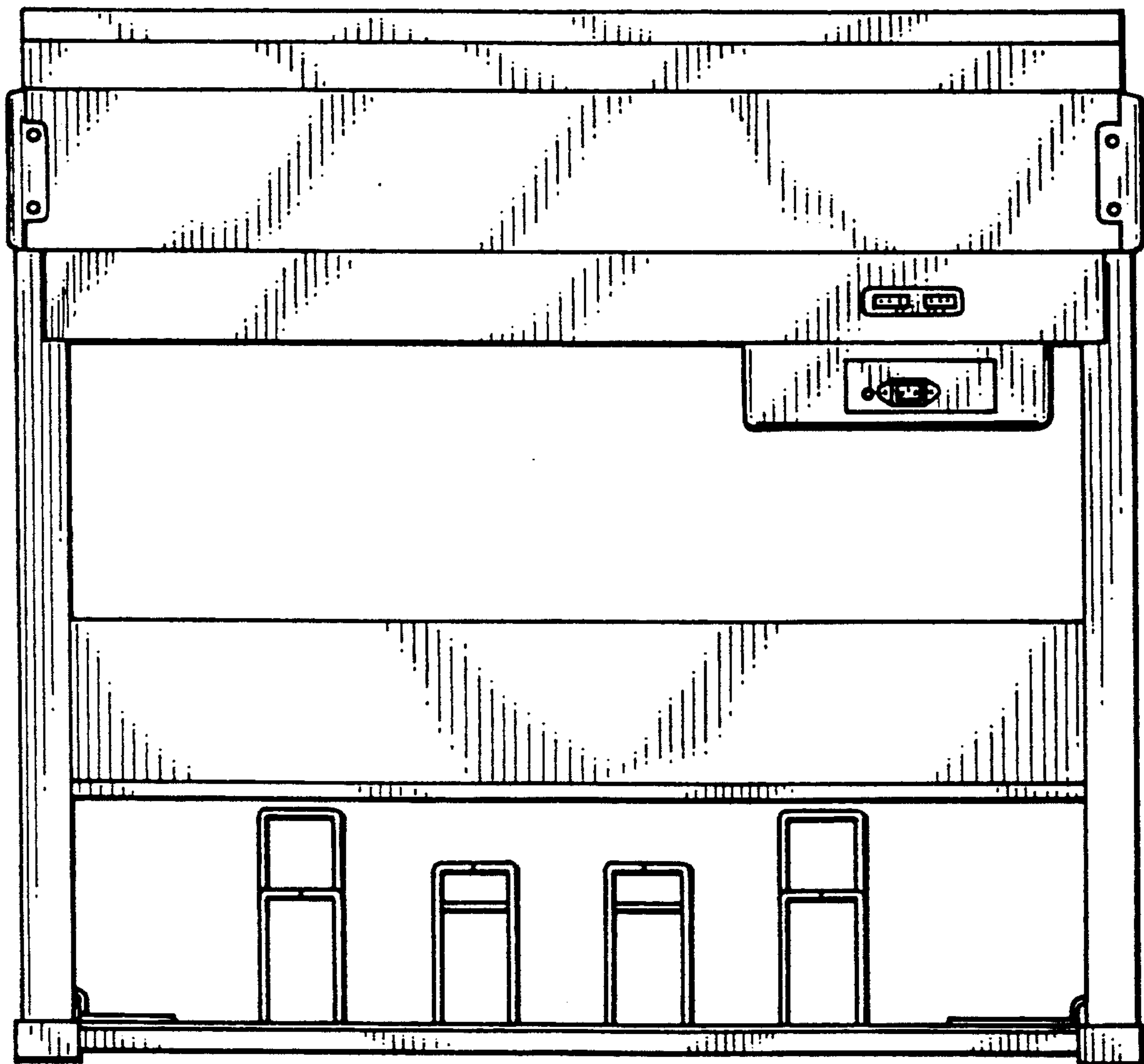


FIG. 4

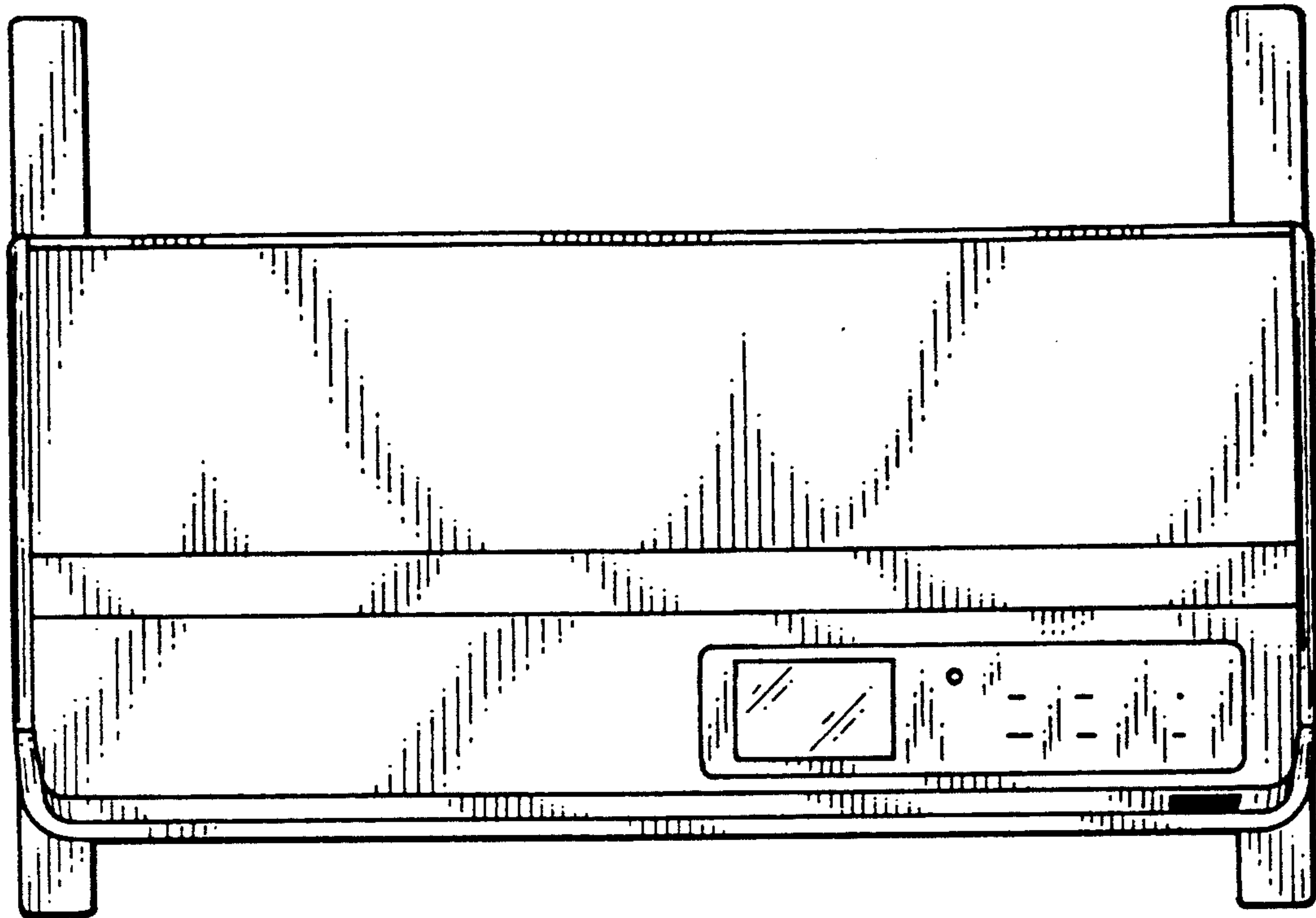


FIG. 5

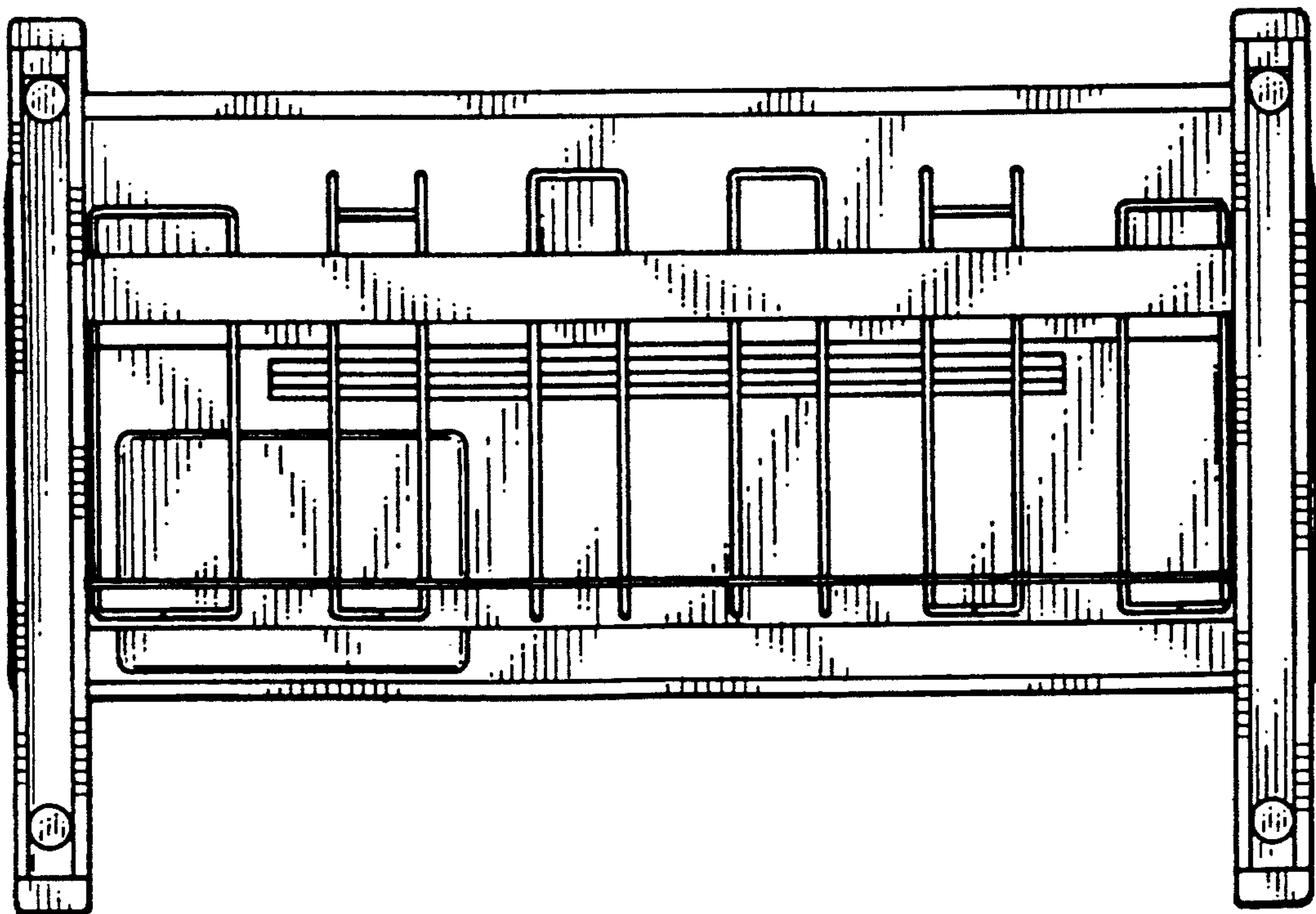


FIG. 7

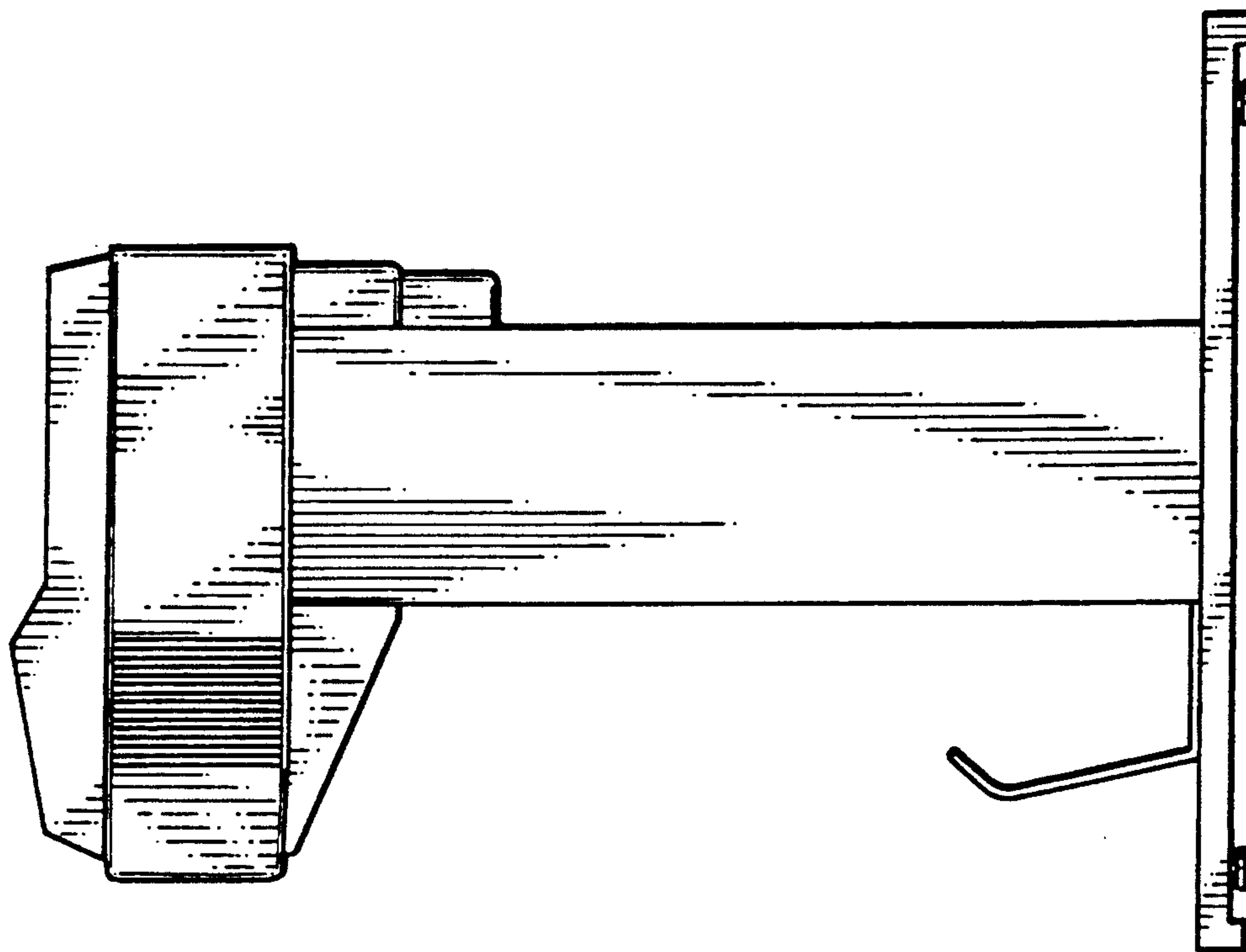


FIG. 6

