



US00D347238S

United States Patent [19] Patzak

[11] Patent Number: **Des. 347,238**
[45] Date of Patent: **** May 24, 1994**

[54] **HAND HELD LABELING GUN**
[75] Inventor: **Peter Patzak, Muehltal, Fed. Rep. of Germany**
[73] Assignee: **Esselte Meto International Produktions GmbH, Hirschorn, Fed. Rep. of Germany**
[**] Term: **14 Years**
[21] Appl. No.: **919,127**
[22] Filed: **Jul. 27, 1992**
[30] **Foreign Application Priority Data**
Jan. 28, 1992 [DE] Fed. Rep. of Germany M9200747.3
[52] U.S. Cl. **D18/19**
[58] Field of Search 156/384, DIG. 48, DIG. 49; 101/288; D19/67, 68; D18/13, 14, 19

D. 305,131 12/1989 Sato et al. D18/19
D. 316,105 4/1991 Hermann D18/19
3,814,651 6/1974 Wada D18/19
4,131,504 12/1978 Furutu 156/384
4,479,842 10/1984 Fujita 156/384
4,699,685 10/1987 Sato 156/384

Primary Examiner—Bernard Ansher
Assistant Examiner—Philip S. Hyder
Attorney, Agent, or Firm—Sixbey, Friedman, Leedom & Ferguson

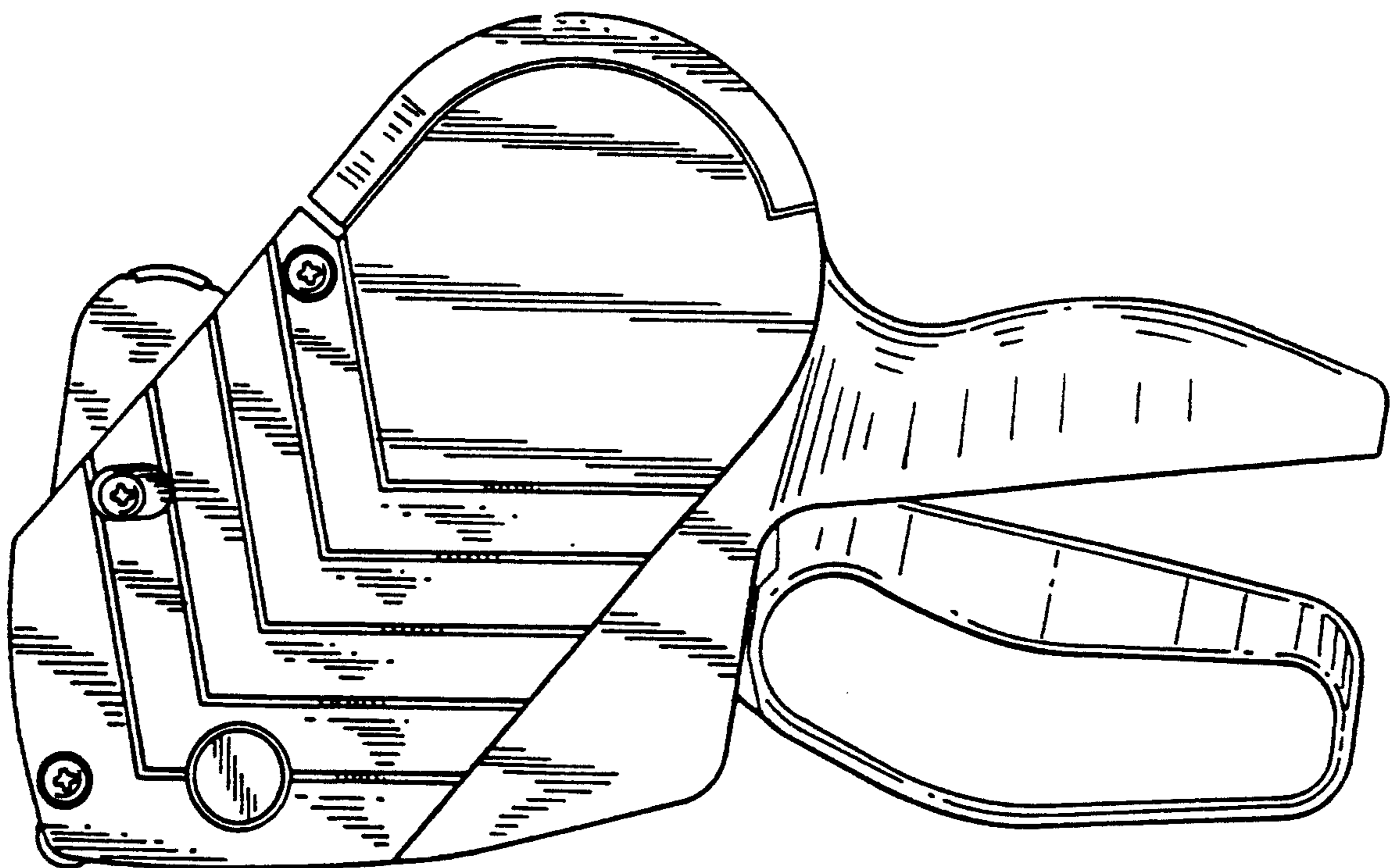
[57] CLAIM

The ornamental design for a hand held labeling gun, as shown and described.

DESCRIPTION

FIG. 1 is a side view of a labeling gun having an ornamental appearance in accordance with the new design; FIG. 2 is a front view of the labeling gun shown in FIG. 1;
FIG. 3 rear view of the labeling gun shown in FIG. 1; FIG. 4 is a view of the opposite side of the labeling gun from that shown in FIG. 1;
FIG. 5 is a top plan view of the labeling gun shown in FIG. 1; and,
FIG. 6 is a bottom plan view of the labeling gun shown in FIG. 1.

[56] **References Cited**
U.S. PATENT DOCUMENTS
D. 250,060 10/1978 Sato D18/19
D. 280,738 9/1985 Grassi D18/19
D. 292,102 9/1987 Takahashi D18/19
D. 303,808 10/1989 Hermann D18/19



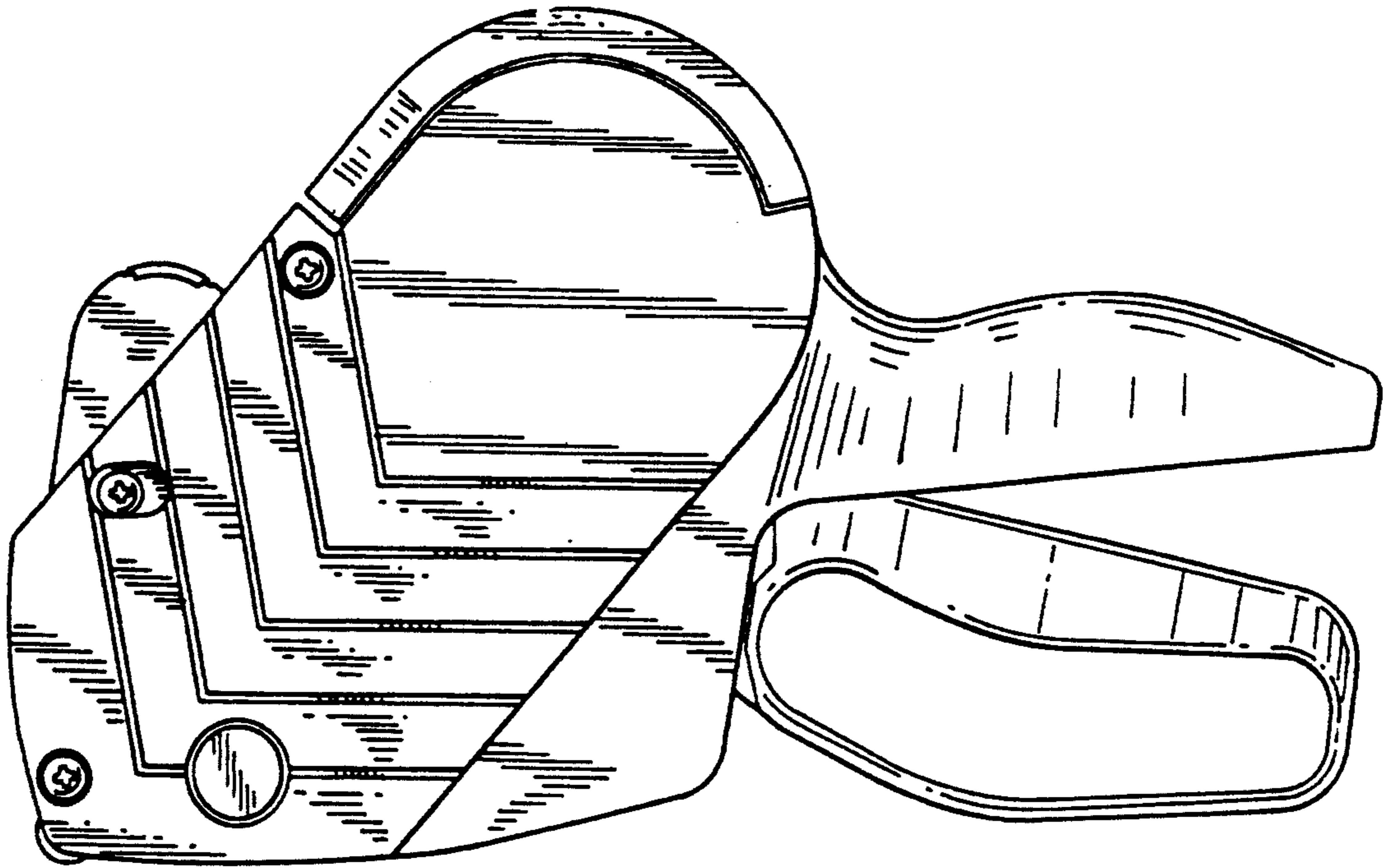


FIG. 1

FIG. 2

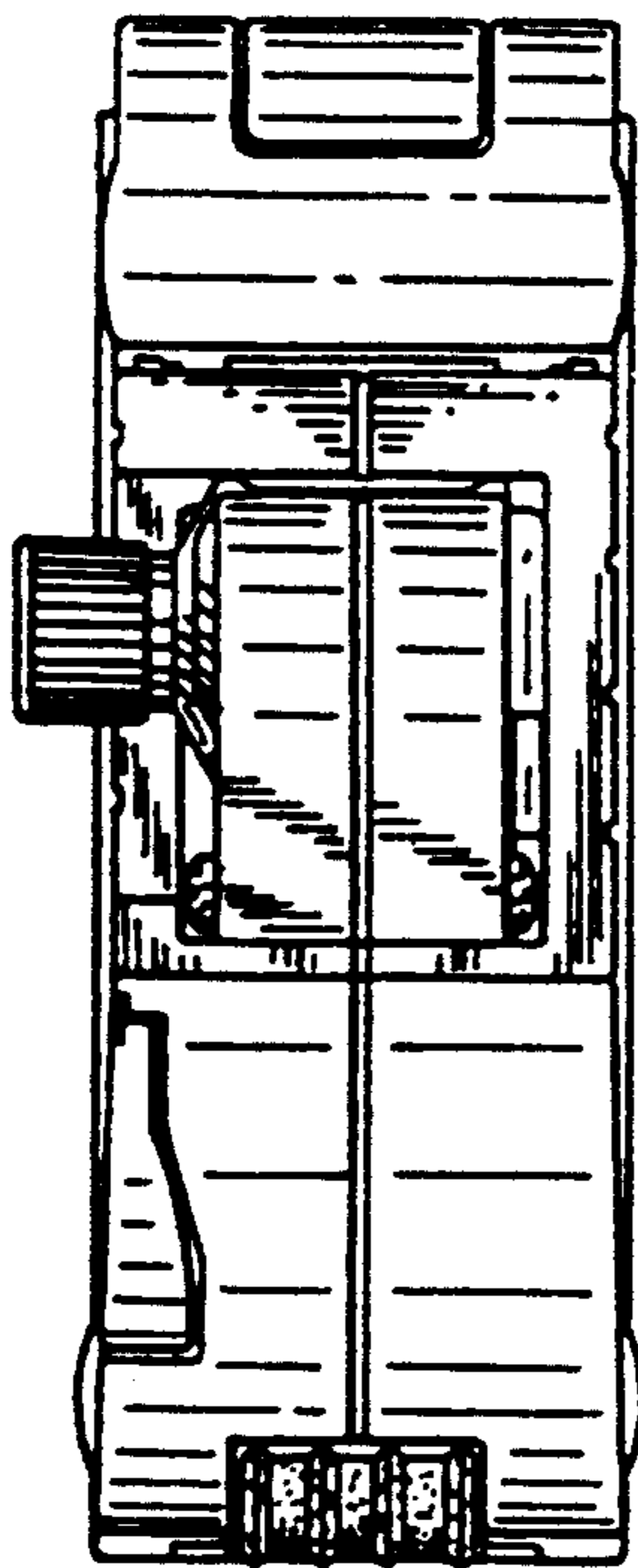


FIG. 3

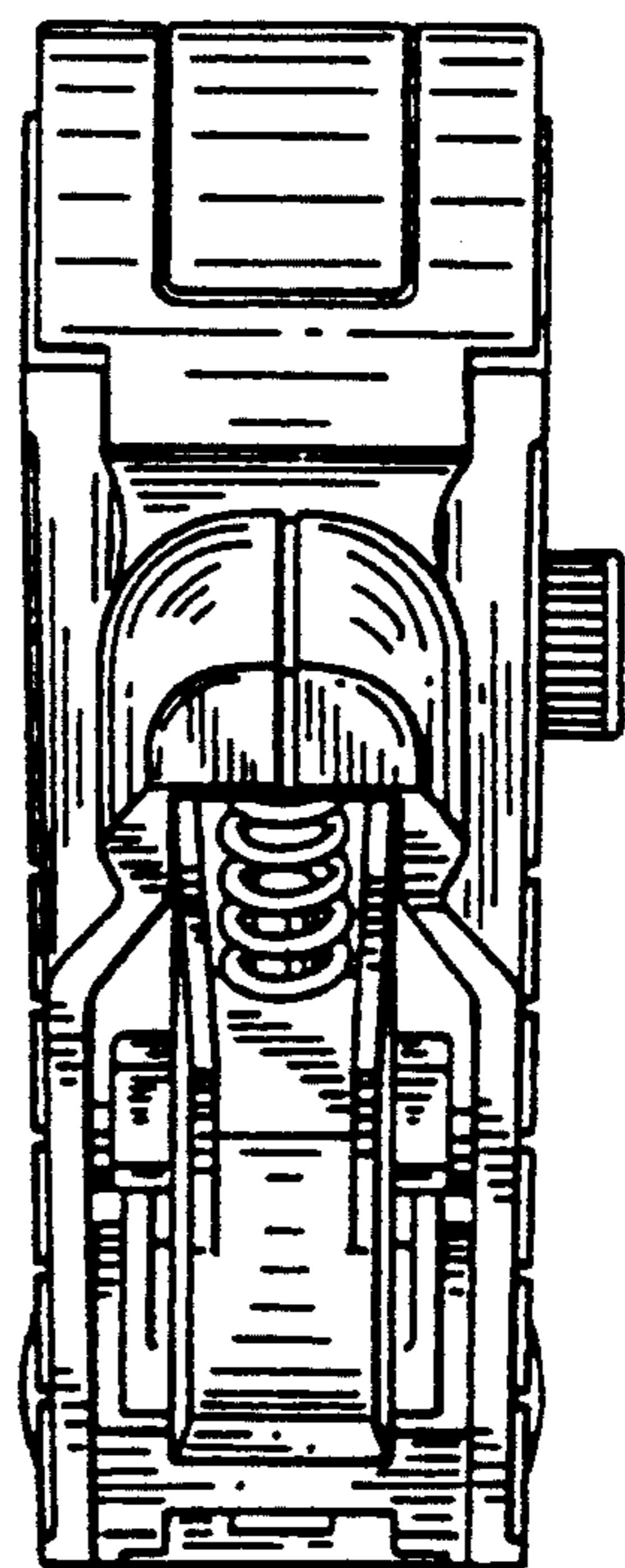


FIG. 4

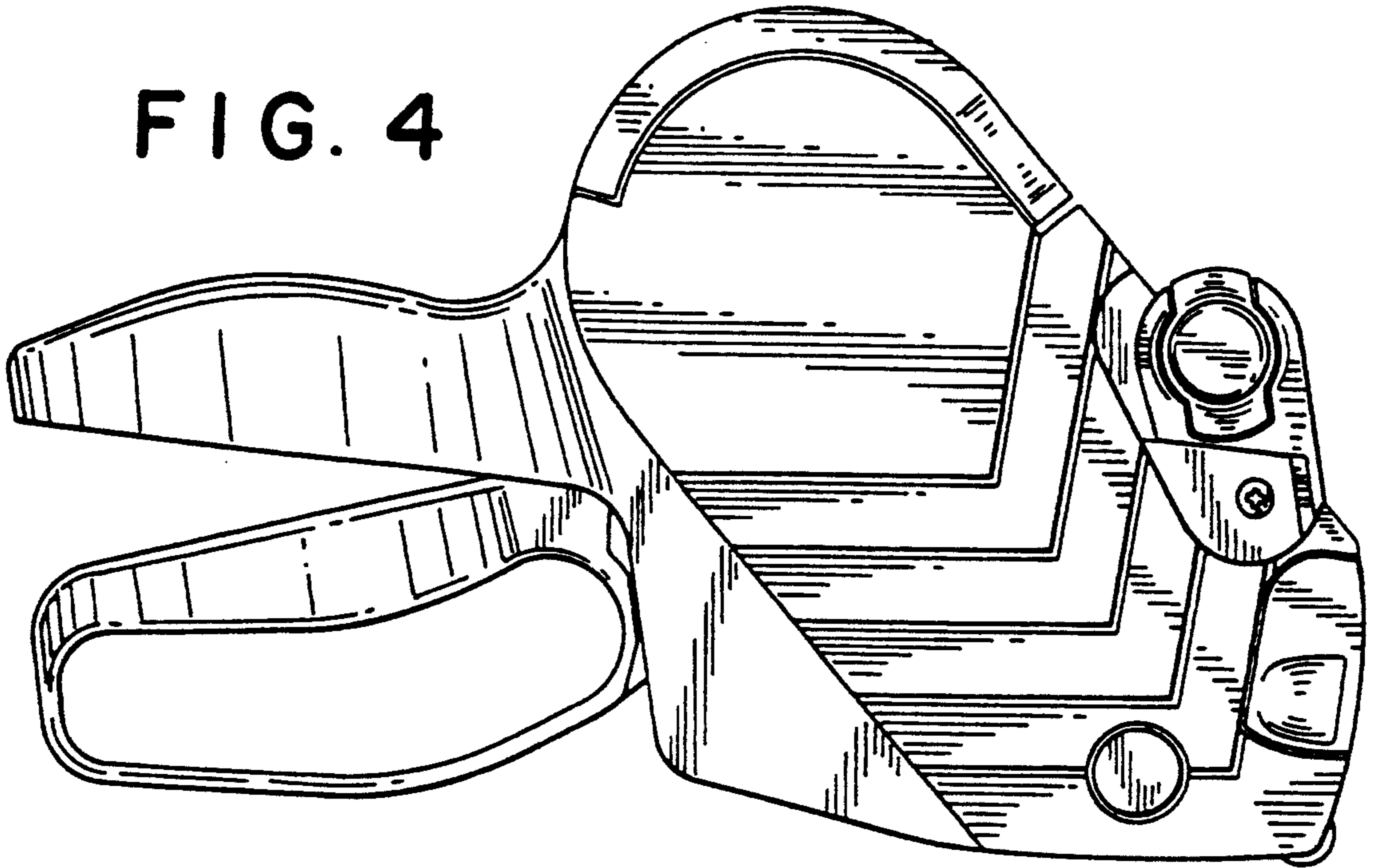


FIG. 5

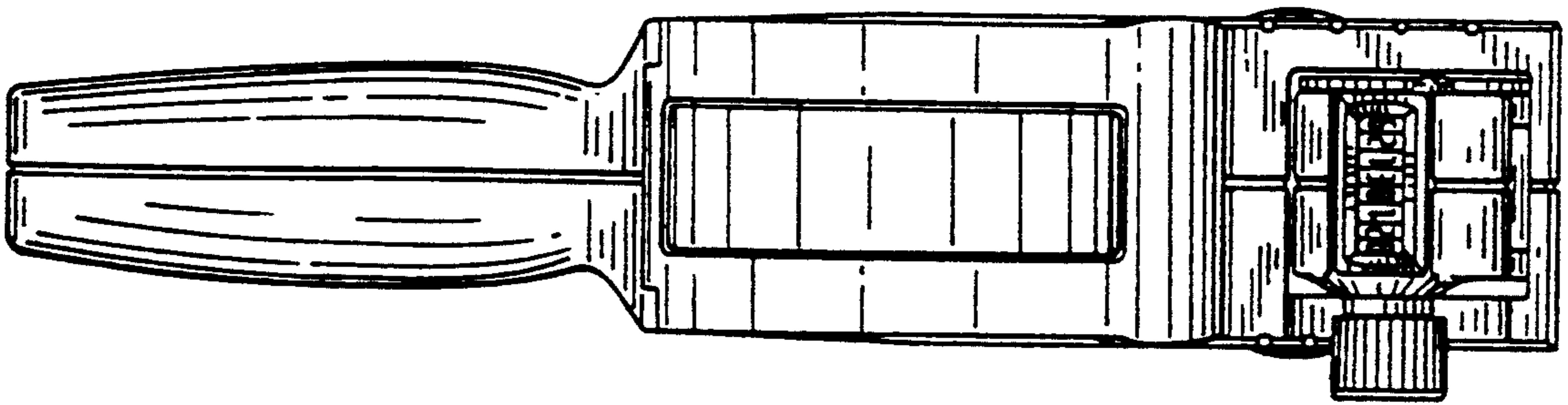


FIG. 6

