



US00D347237S

# United States Patent [19]

[11] Patent Number: **Des. 347,237**

**Robjent et al.**

[45] Date of Patent: **\*\* May 24, 1994**

[54] **ROLLER SKATE**

4,767,127 8/1988 Olivieri ..... 280/11.33  
5,224,718 7/1993 Gertler ..... 280/11.26

[75] Inventors: **Frederick B. Robjent**, Orchard Park;  
**Lee Spielberger**, East Aurora, both of  
N.Y.

### OTHER PUBLICATIONS

"We're Cookin" Fisher Price Catalog 1987 p. 49.

[73] Assignee: **Fisher-Price, Inc.**, East Aurora, N.Y.

*Primary Examiner*—Bernard Ansher

[\*\*] Term: **14 Years**

*Assistant Examiner*—R. Barkai

*Attorney, Agent, or Firm*—Howrey & Simon

[21] Appl. No.: **850,070**

### [57] CLAIM

[22] Filed: **Mar. 12, 1992**

The ornamental design for a roller skate, as shown and described.

[52] U.S. Cl. .... **D21/226**

[58] Field of Search ..... **D2/275, 904; 280/11.19,**  
**280/11.22, 11.26, 11.27, 11.28, 11.32; 36/115;**  
**301/5.3, 5.7, 54; D21/226**

### DESCRIPTION

### [56] References Cited

#### U.S. PATENT DOCUMENTS

D. 288,109 2/1987 Klamer ..... D21/226  
D. 299,259 1/1989 Vullierme ..... D21/226  
D. 337,365 7/1993 Gertler ..... D21/226

FIG. 1 is a left side elevational view of a roller skate showing my new design;

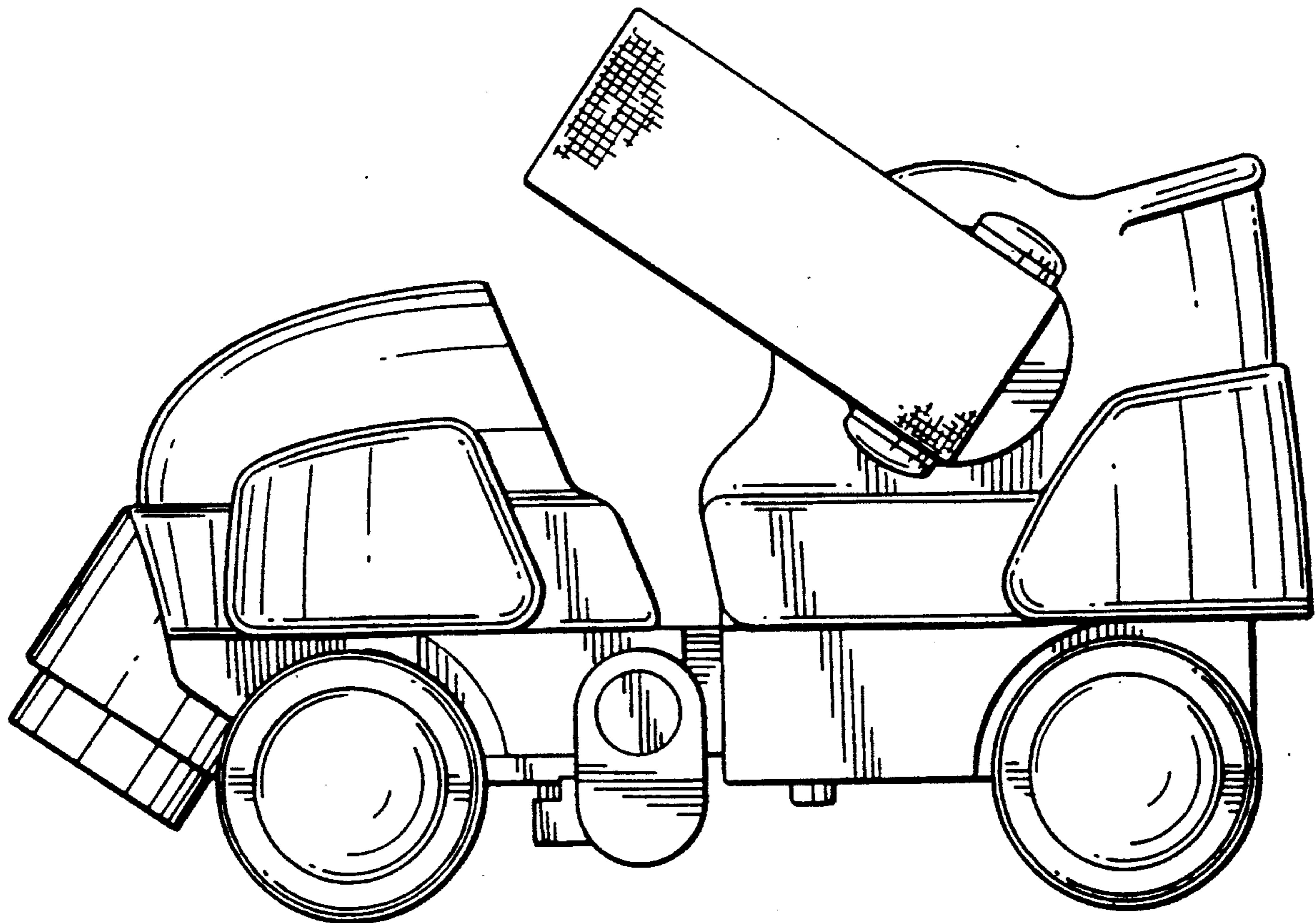
FIG. 2 is a top plan view thereof;

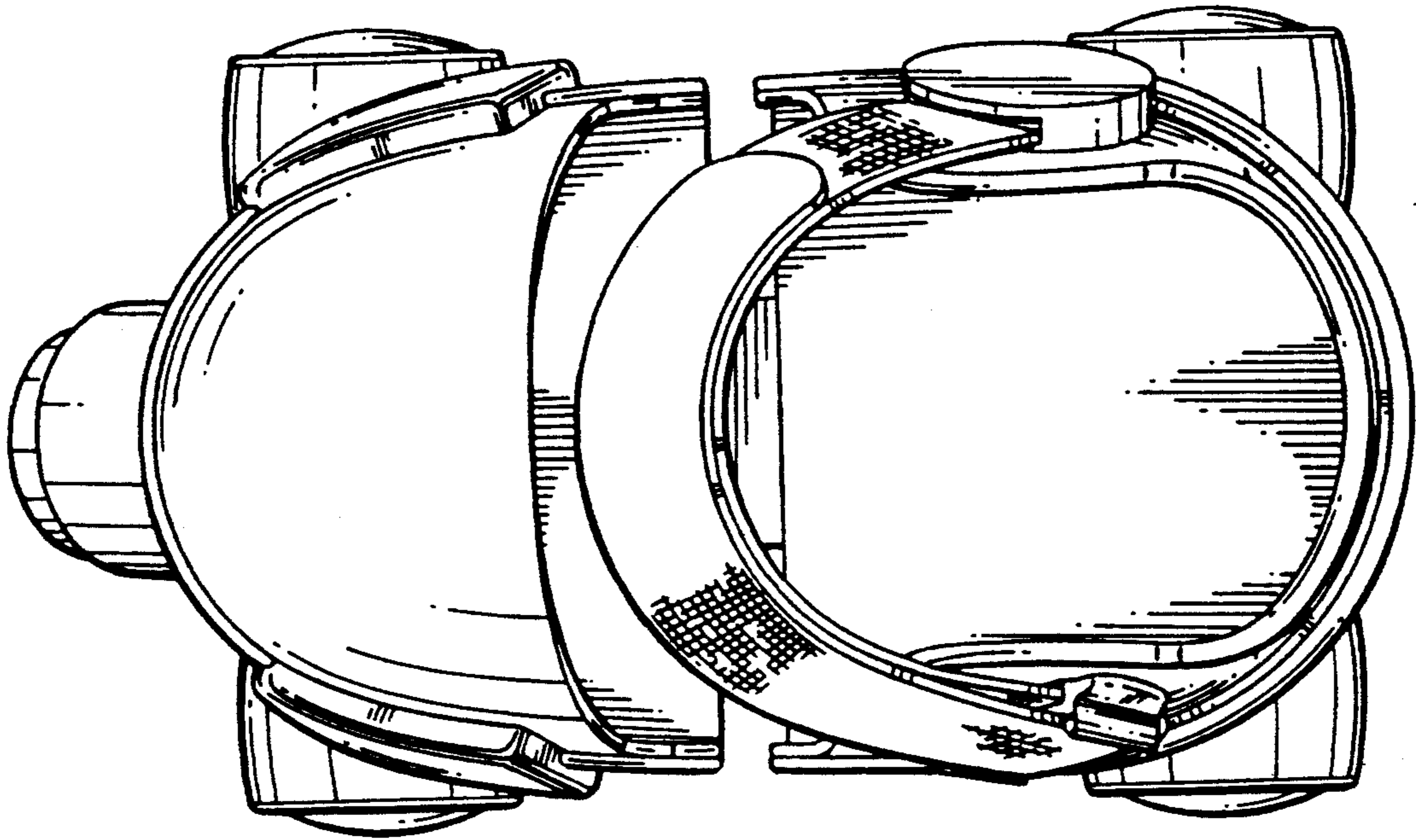
FIG. 3 is a front elevational view thereof;

FIG. 4 is a rear elevational view thereof;

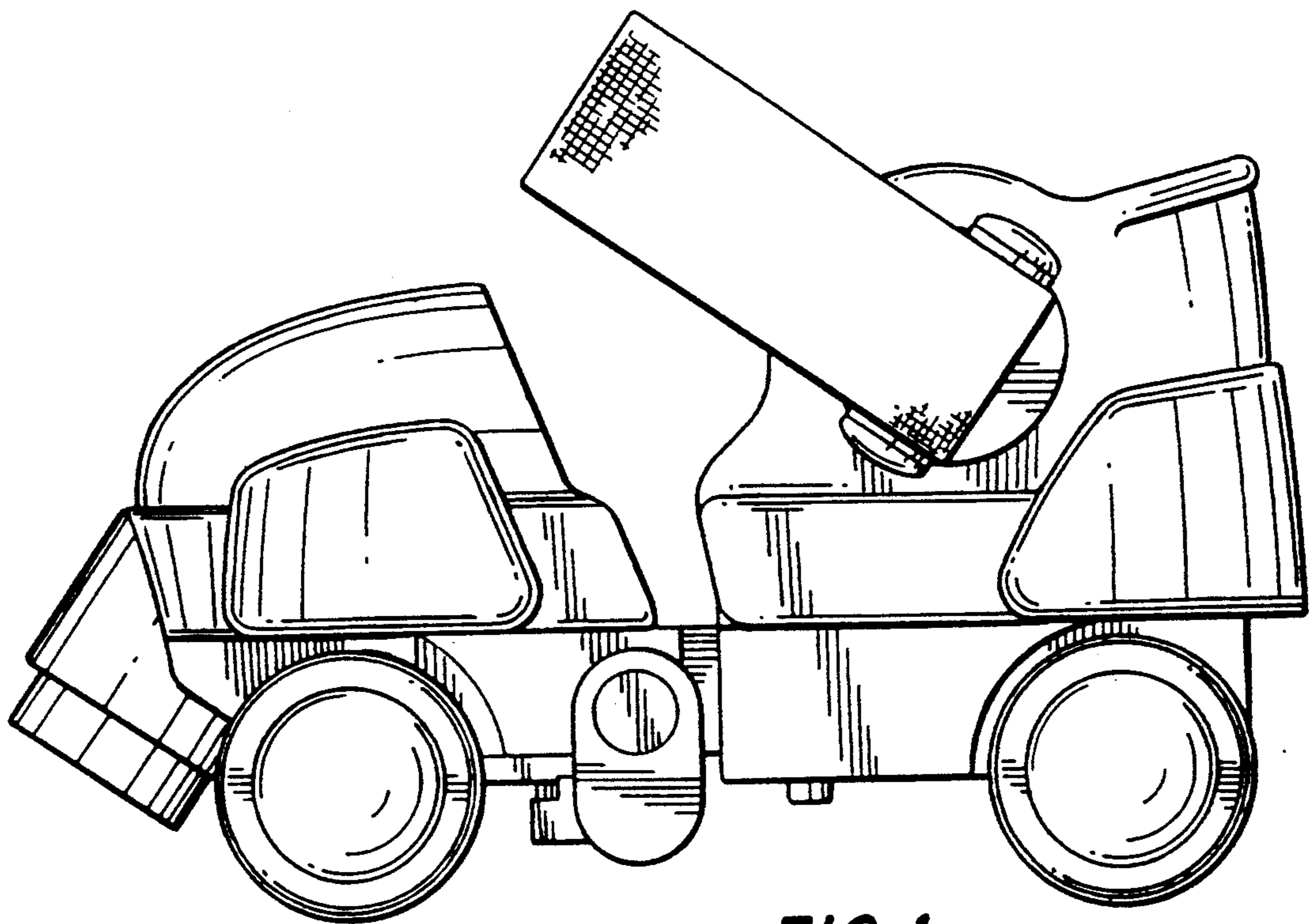
FIG. 5 is a right side elevational view thereof; and,

FIG. 6 is a bottom plan view.

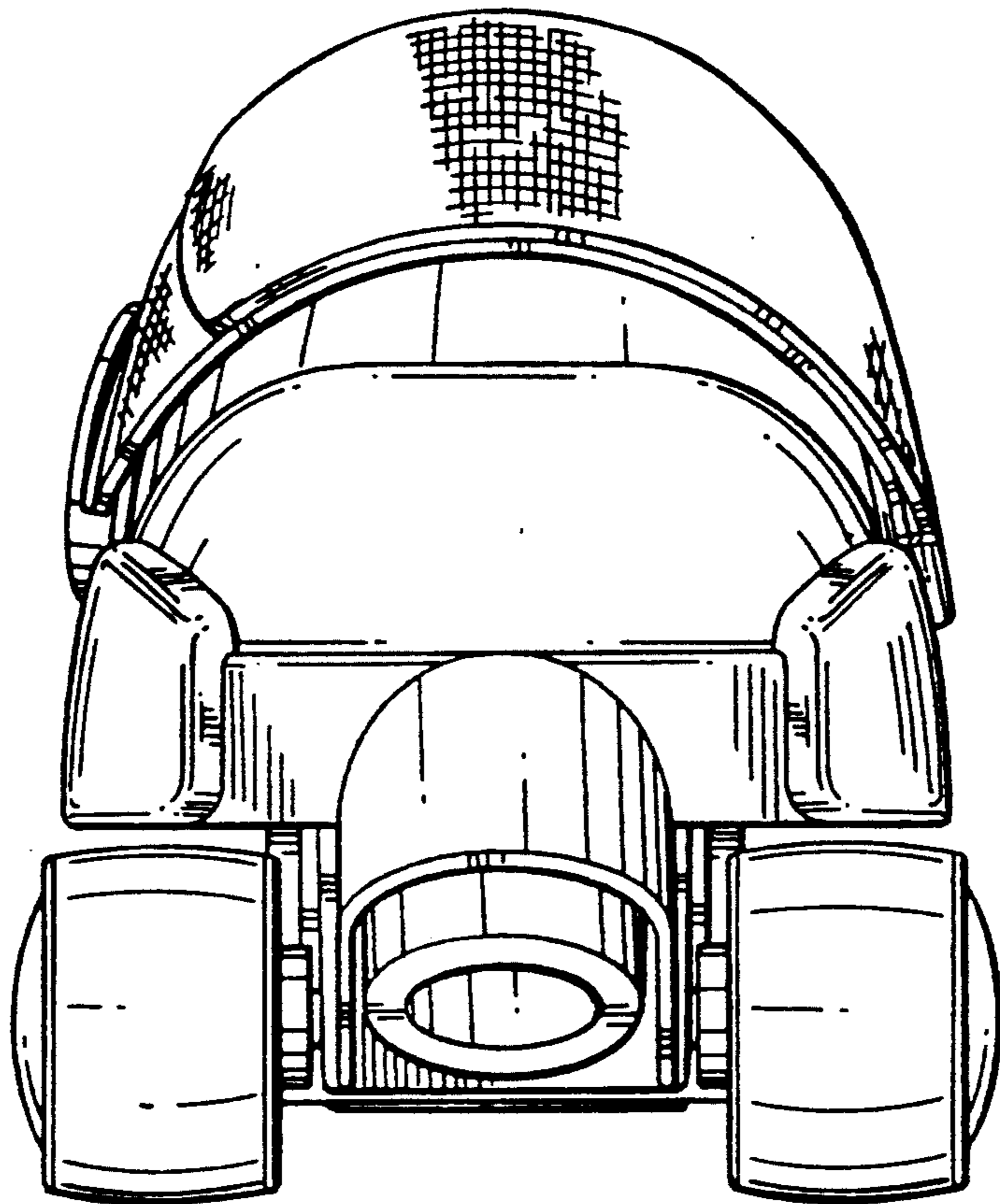




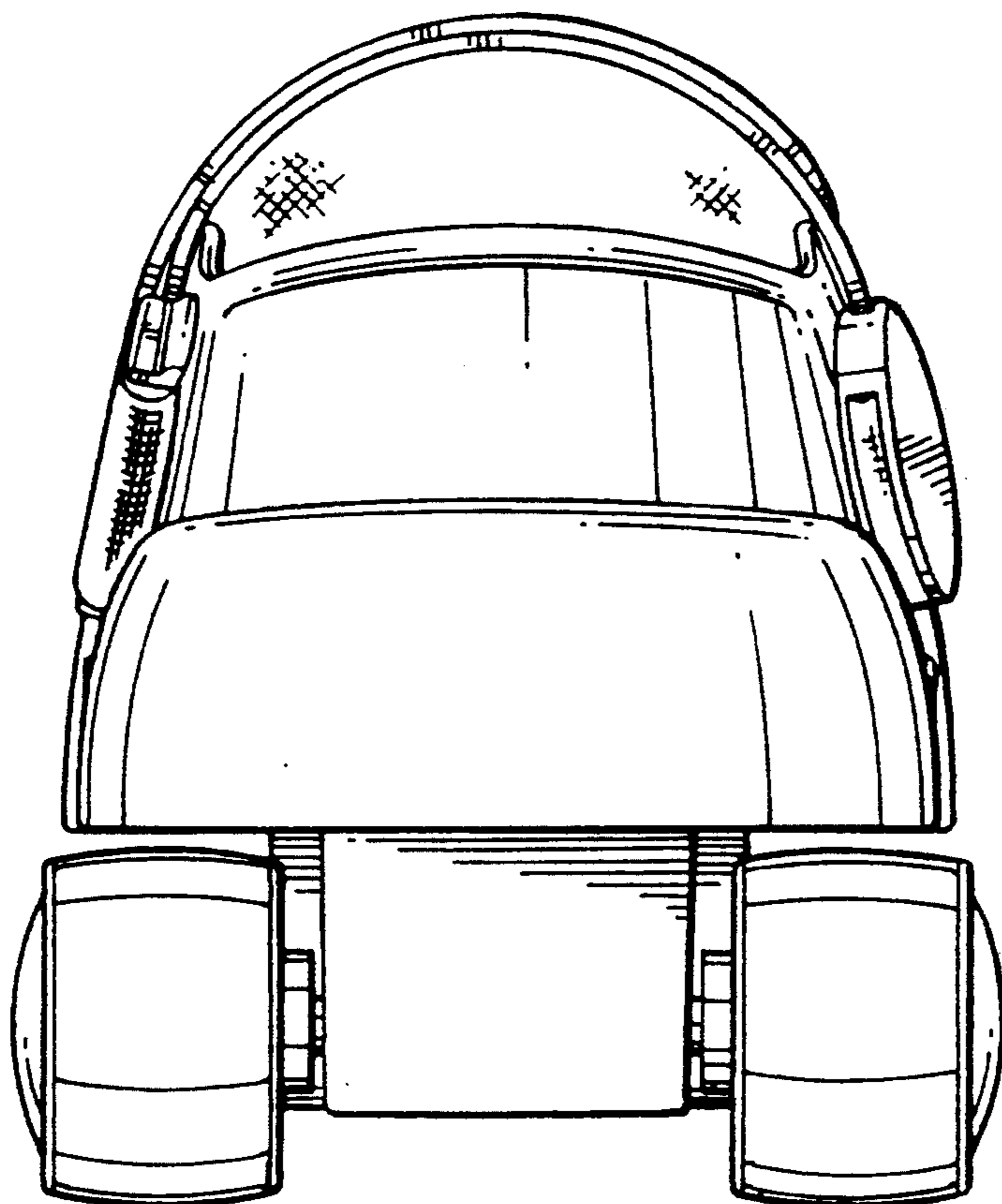
**FIG. 2**



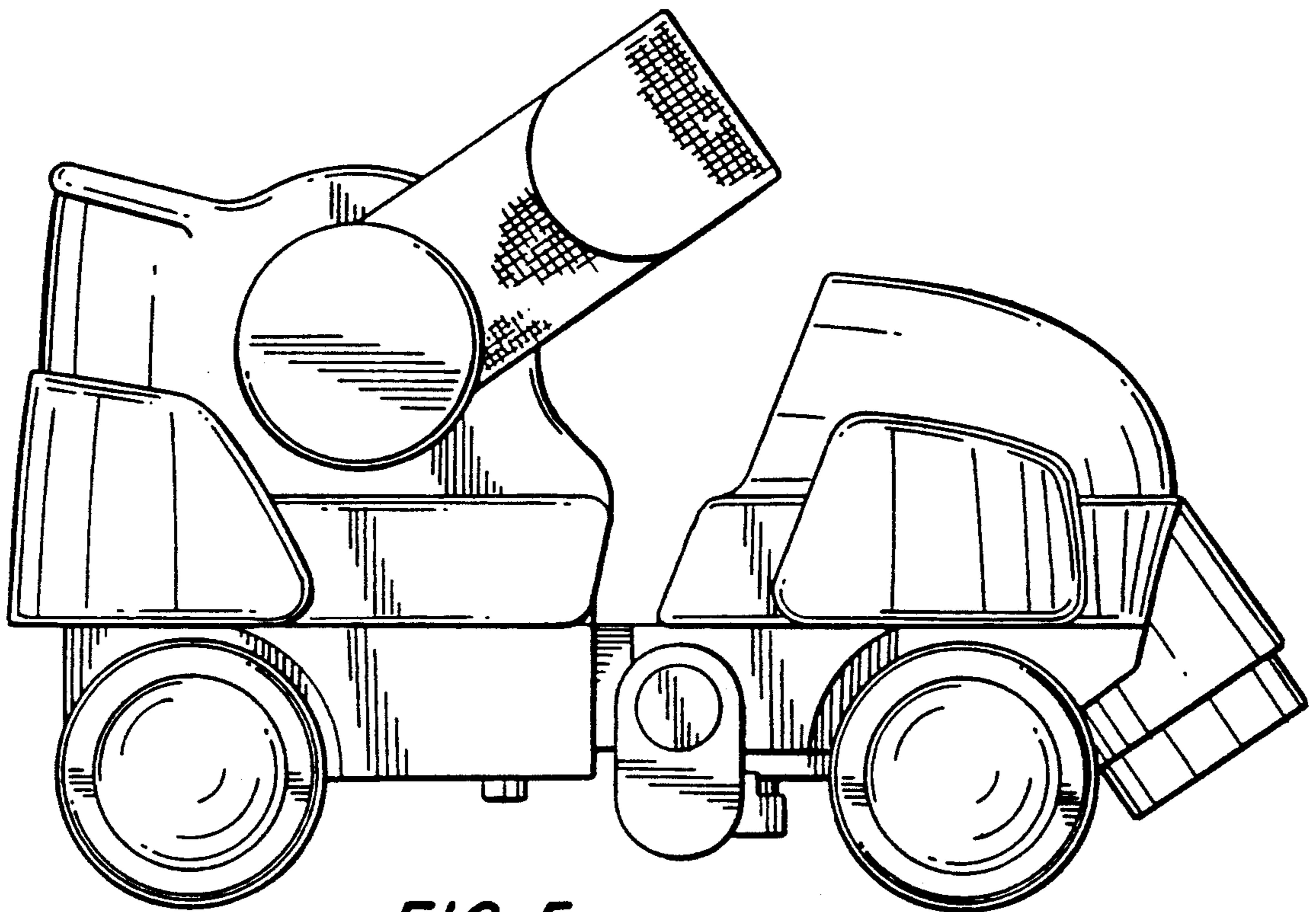
**FIG. 1**



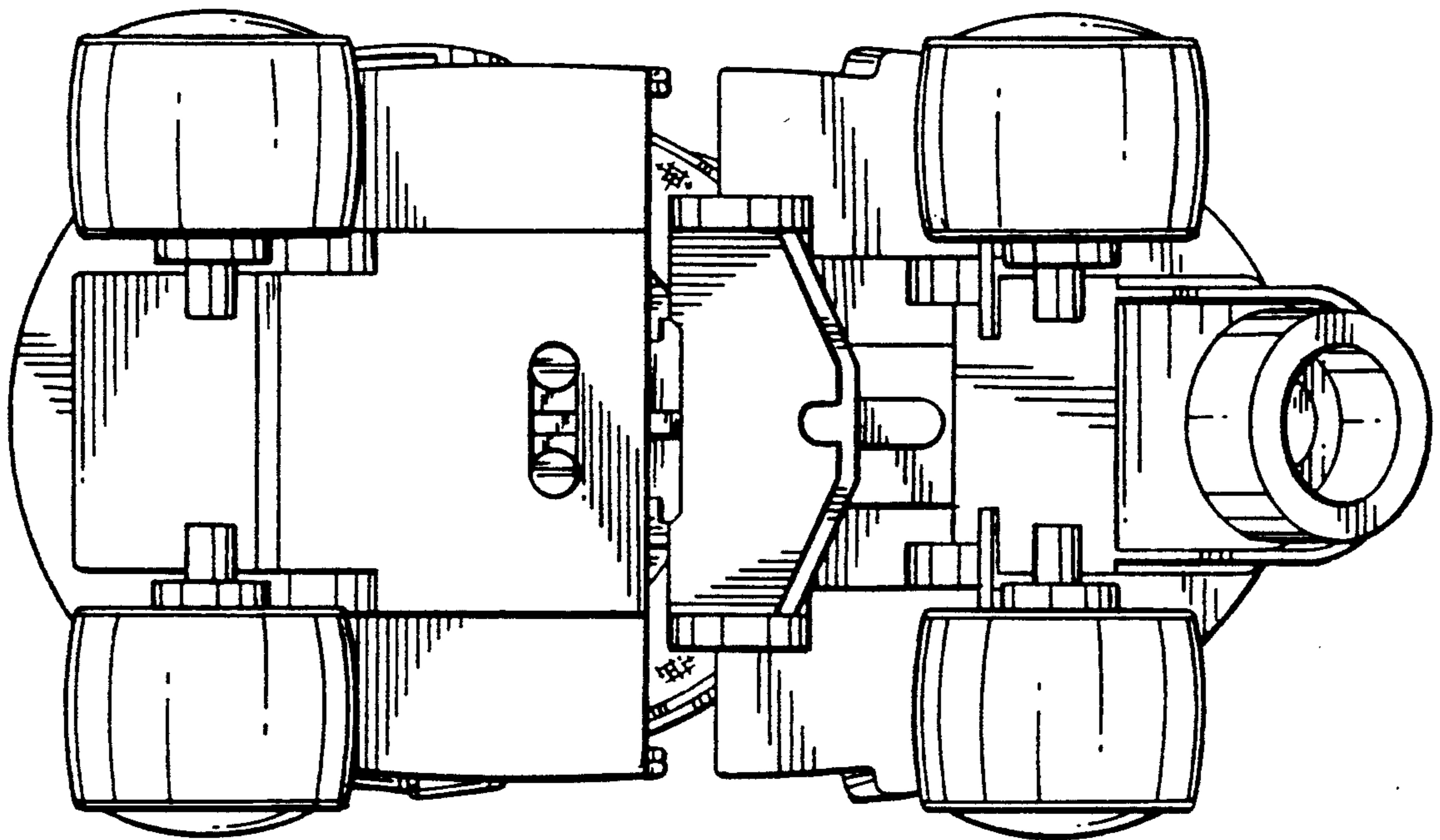
*FIG. 3*



*FIG. 4*



**FIG. 5**



**FIG. 6**