



US00D347232S

United States Patent [19]

[11] Patent Number: **Des. 347,232**

Massa et al.

[45] Date of Patent: **** May 24, 1994**

[54] TIP WITH LOBES

751991 2/1978 U.S.S.R. .

899916 1/1982 U.S.S.R. .

[75] Inventors: **Ted R. Massa**, Latrobe; **John J. Prizzi**, Greensburg, both of Pa.

[73] Assignee: **Kennametal Inc.**, Latrobe, Pa.

[**] Term: **14 Years**

[21] Appl. No.: **3,898**

[22] Filed: **Jan. 21, 1993**

OTHER PUBLICATIONS

Carbide tip depicted in Multi-Metals Dwg. C-1445-7 (Sep. 5, 1973).

Carbide tip depicted in American Mine Tool Dwg. T-104-76 (Sep. 14, 1982).

Carbide tip depicted in Kennametal Dwg 921-01135 (Aug. 18, 1983).

Carbide tip depicted in American Mine Tool Dwg T-104-13 (Nov. 30, 1982).

Carbide tip depicted in American Mine Tool Dwg. T-104-14 (Aug. 31, 1984).

Carbide tip depicted in Kennametal Dwg. DEV-C-1736 (Jan. 31, 1980).

Carbide tip depicted in Kennametal Dwg. 921-01171 (Dec. 4, 1986).

Carbide tip depicted in Kennametal Dwg. 921-01173 (Mar. 2, 1987).

Related U.S. Application Data

[62] Division of Ser. No. 992,950, Dec. 17, 1992.

[52] U.S. Cl. **D15/139; D15/138**

[58] Field of Search **D8/8; 175/409, 410, 175/411, 427; 299/79-95; 407/113-117; D15/138, 139, 199**

[56] References Cited

U.S. PATENT DOCUMENTS

- 3,356,418 12/1967 Healey et al. .
- 3,830,546 8/1974 Kniff .
- 4,497,520 2/1985 Ojanen .
- 4,725,099 2/1988 Penkunas et al. .
- 4,729,603 2/1988 Elfgen .
- 4,865,392 9/1989 Penkunas et al. .
- 4,911,503 3/1990 Shiffler et al. .
- 4,911,504 3/1990 Shiffler et al. .
- 4,938,538 7/1990 Larsson et al. .
- 4,981,328 1/1991 Stiffler et al. .
- 5,054,217 10/1991 Nilsson et al. .
- 5,131,725 7/1992 Rowlett et al. .
- 5,141,289 8/1992 Stiffler 299/86 X
- 5,219,209 6/1993 Prizzi et al. .

FOREIGN PATENT DOCUMENTS

- 0052978 6/1982 European Pat. Off. .
- 0122893 10/1984 European Pat. Off. .
- 0160757 11/1985 European Pat. Off. .
- 2846744 4/1980 Fed. Rep. of Germany .
- 3510072 3/1985 Fed. Rep. of Germany .
- 825924 9/1975 U.S.S.R. .
- 519538 7/1976 U.S.S.R. .

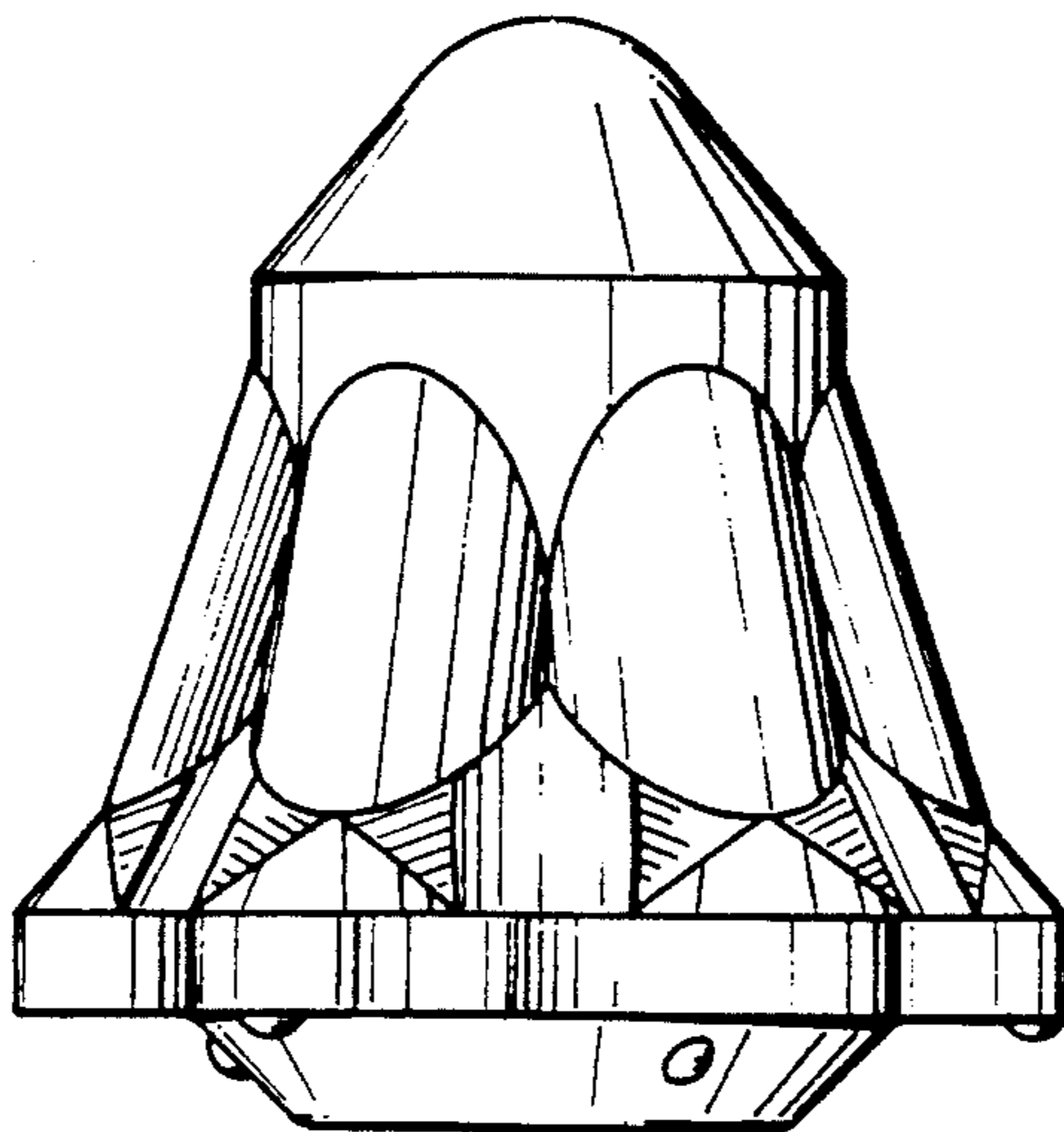
Primary Examiner—Alan P. Douglas
Assistant Examiner—Antoine D. Davis
Attorney, Agent, or Firm—John J. Prizzi; Stephen T. Belsheim

[57] CLAIM

The ornamental design for a tip with lobes, as shown and described.

DESCRIPTION

FIG. 1 is a top elevational view of one specific embodiment of the tip;
FIG. 2 is a side elevational view of the tip of FIG. 1;
FIG. 3 is a side elevational view of the tip of FIG. 1 oriented at about 30 degrees from the view of FIG. 2;
FIG. 4 is a bottom elevational view of the tip of FIG. 3;
FIG. 5 is a top elevational view of another specific embodiment of the tip;
FIG. 6 is a side elevational view of the tip of FIG. 5;
FIG. 7 is a side elevational view of the tip of FIG. 5 oriented at about 90 degrees from the view of FIG. 6; and,
FIG. 8 is a bottom elevational view of the tip of FIG. 7.



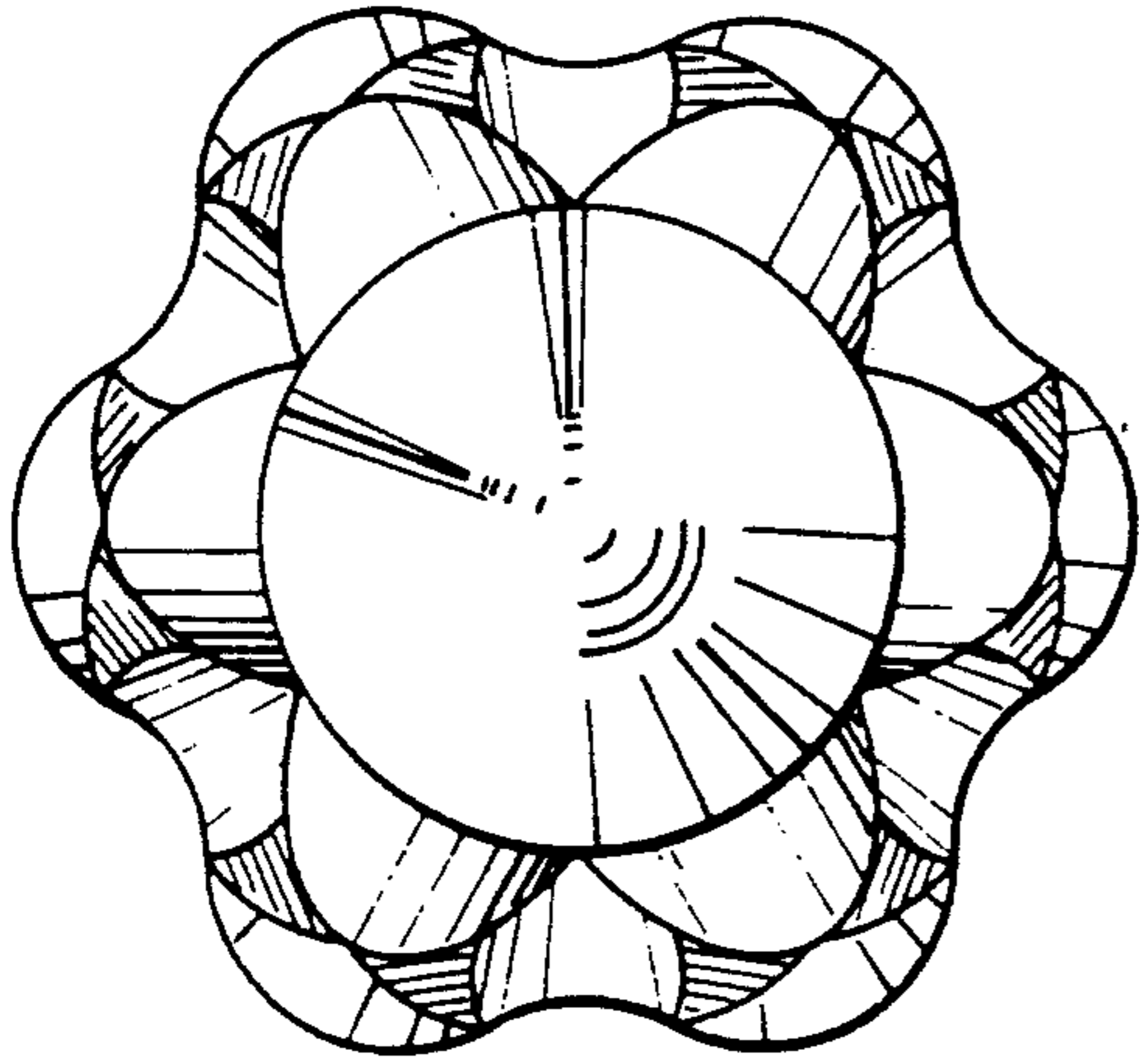


FIG. 1

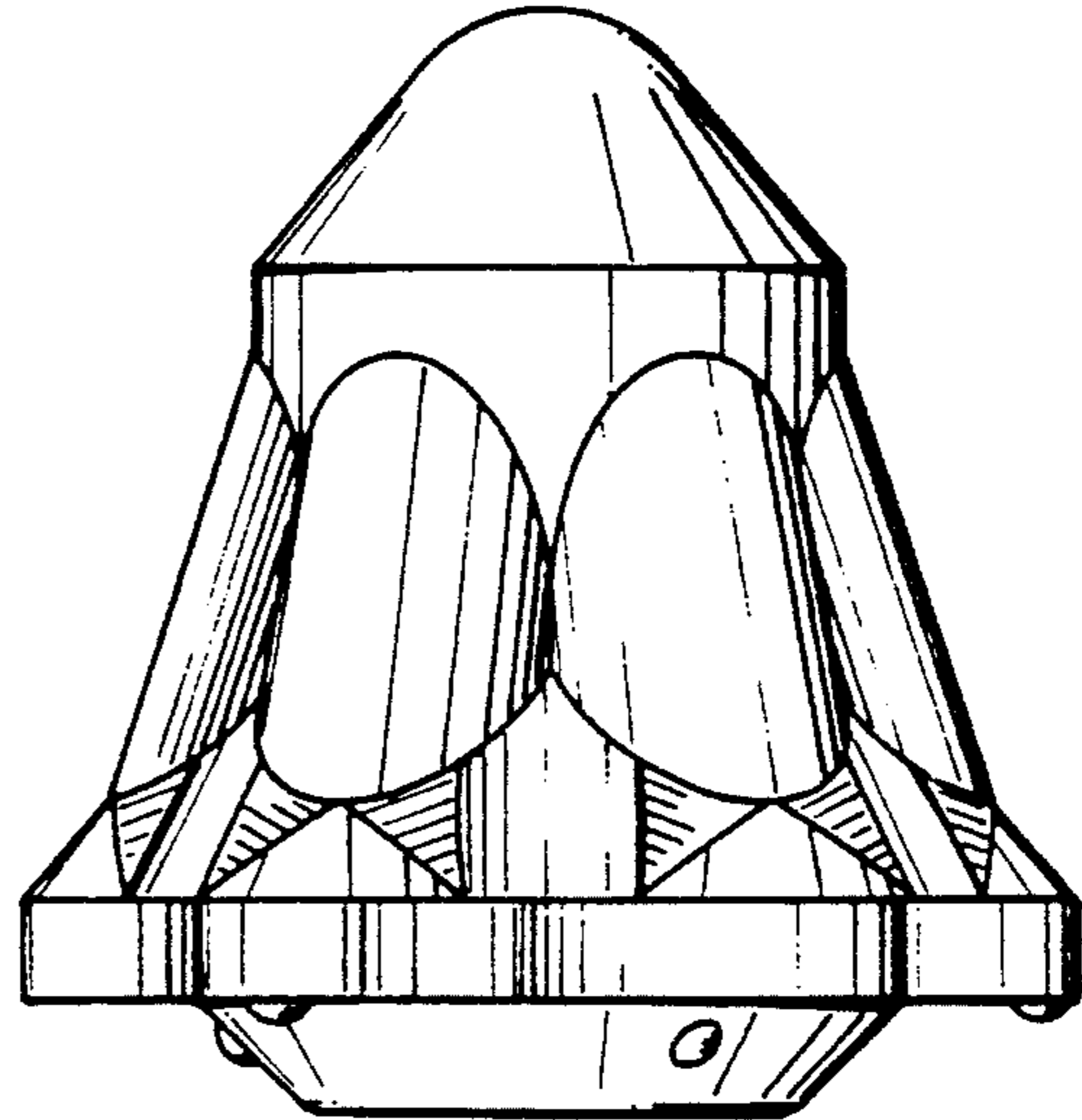


FIG. 2

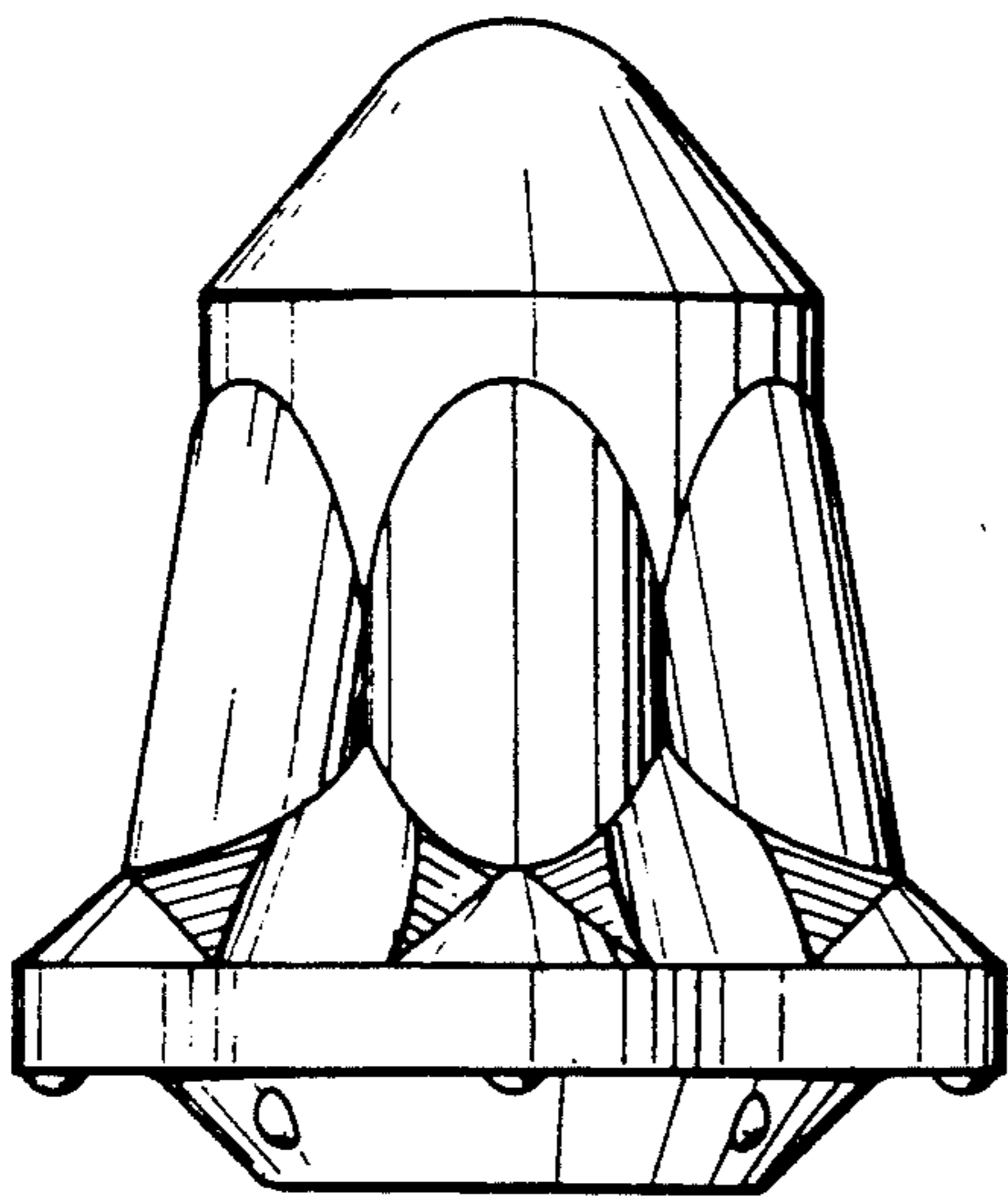


FIG. 3

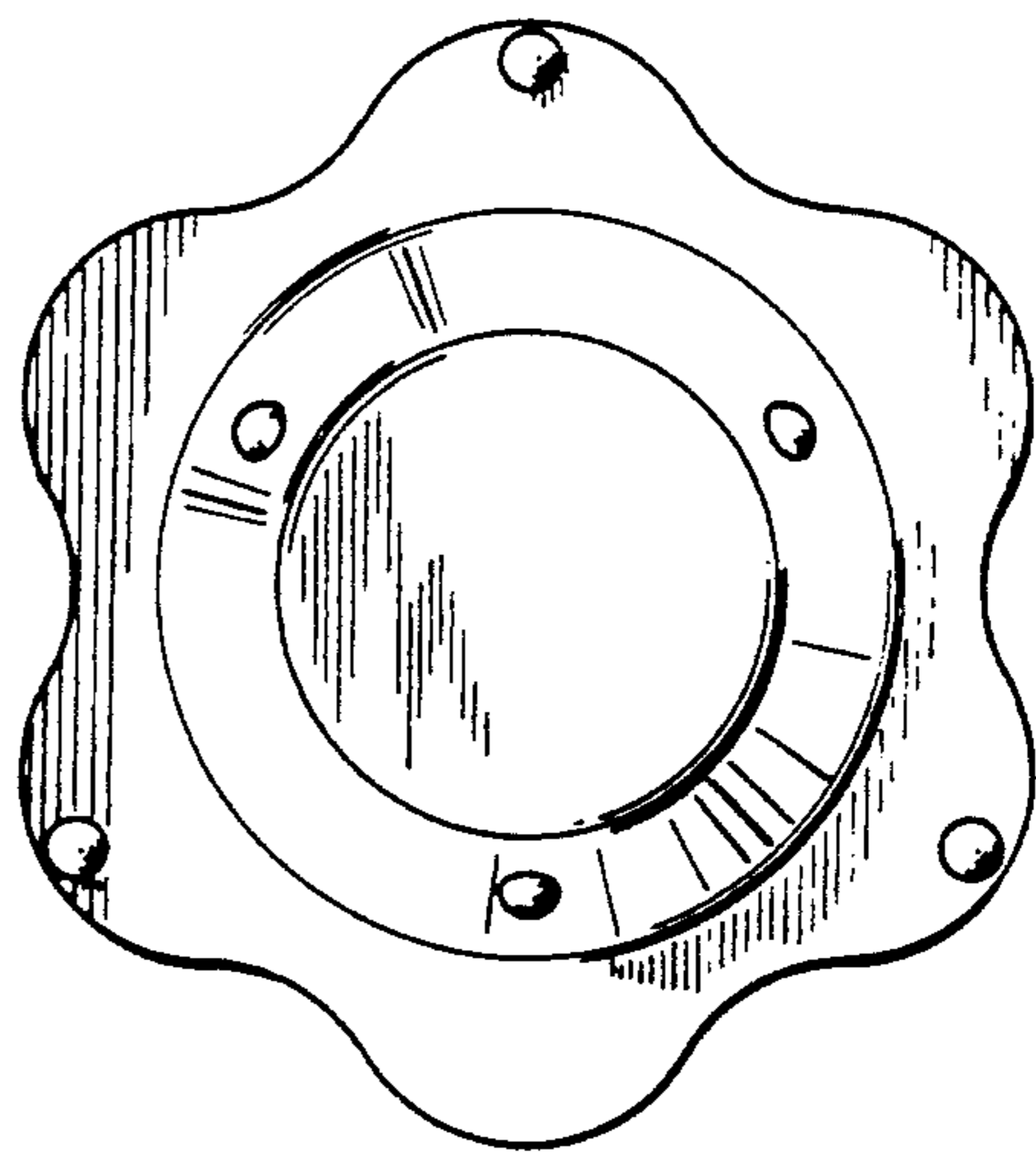


FIG. 4

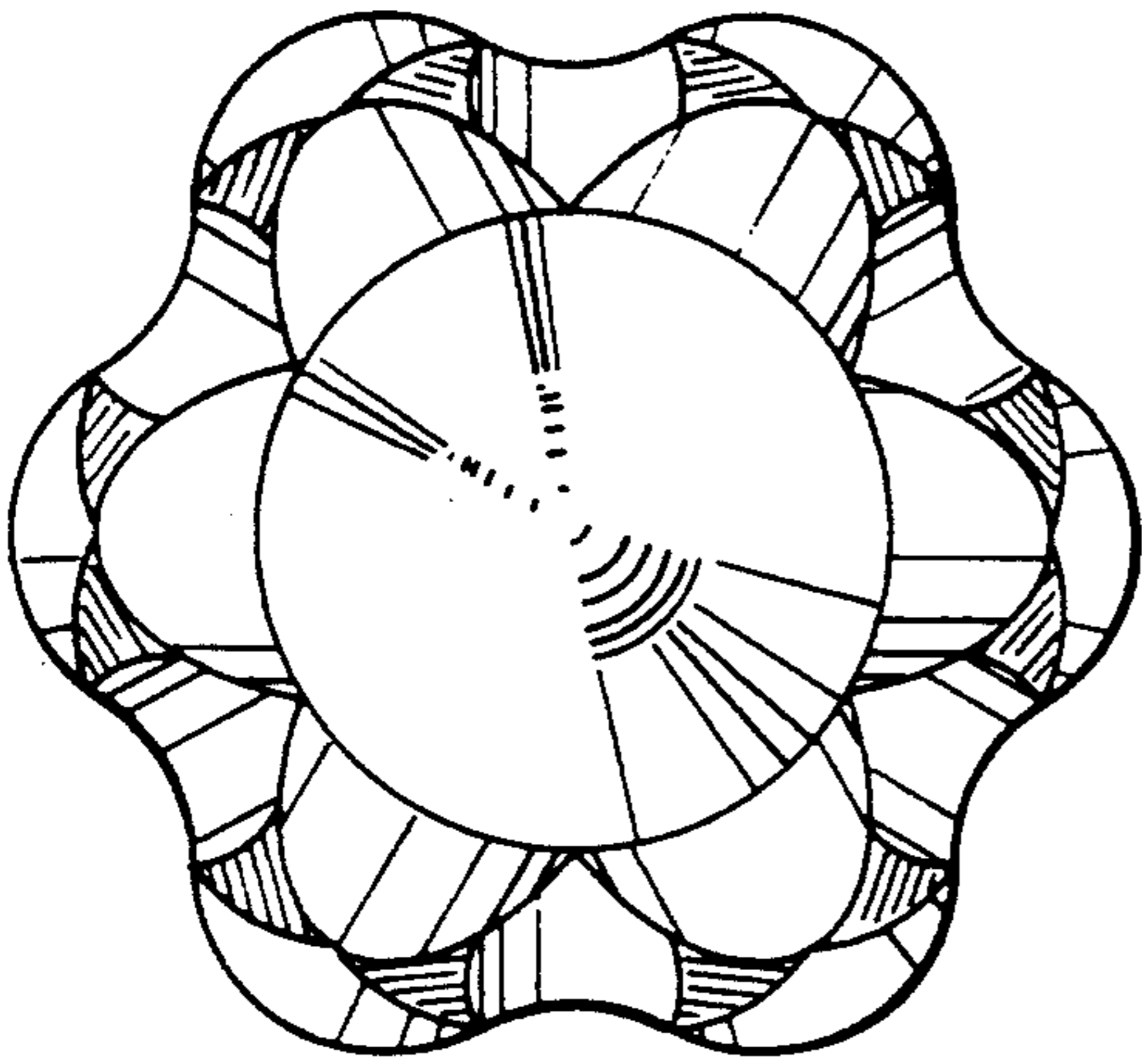


FIG. 5

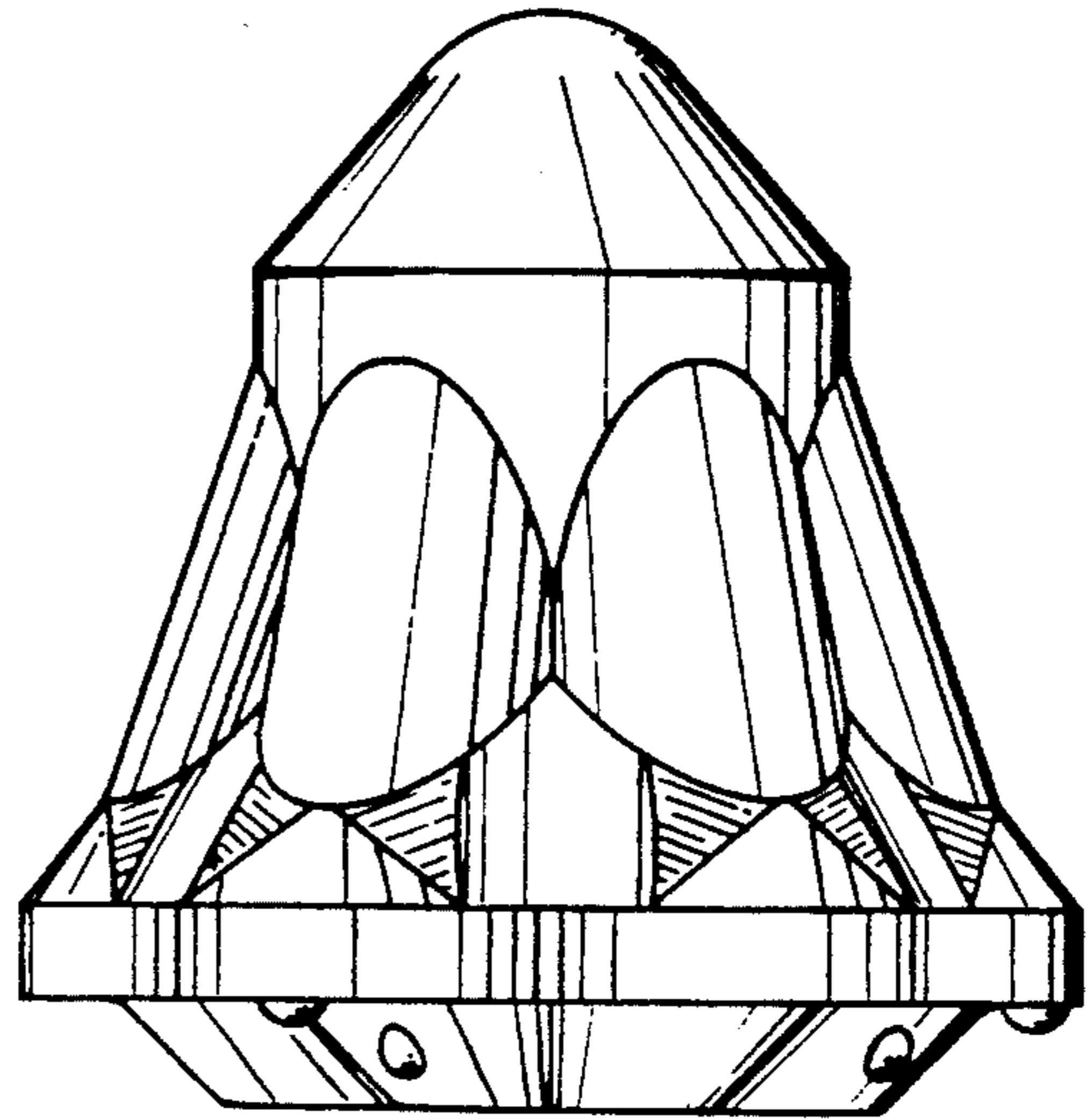


FIG. 6

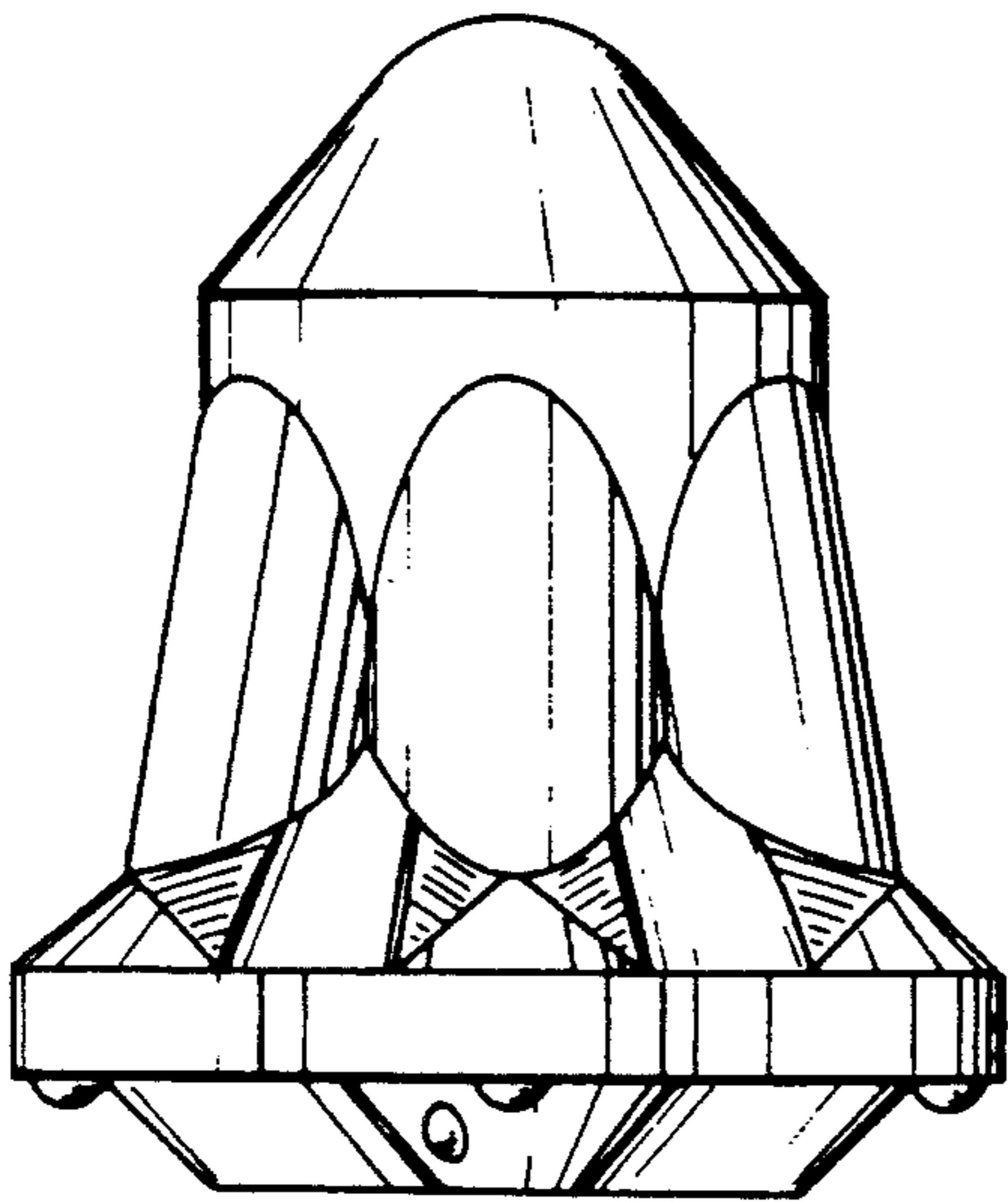


FIG. 7

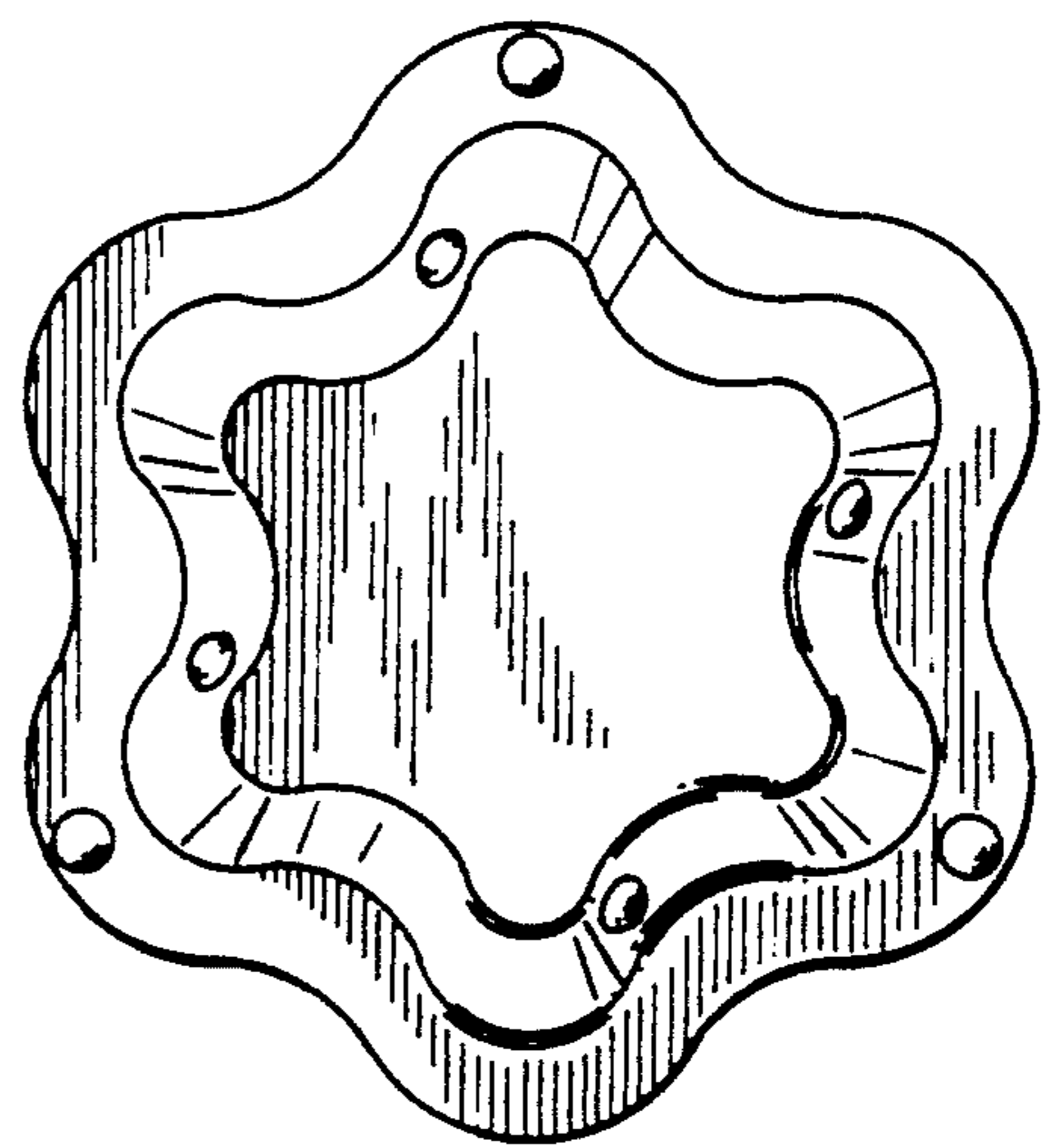


FIG. 8