



US00D347229S

United States Patent [19]

Smith

[11] Patent Number: **Des. 347,229**

[45] Date of Patent: **** May 24, 1994**

[54] **TELEPHONE NETWORK INTERFACE MODULE**

[75] Inventor: **Thomas J. Smith, Bay Shore, N.Y.**

[73] Assignee: **TII Industries, Inc., Copiague, N.Y.**

[**] Term: **14 Years**

[21] Appl. No.: **733,388**

[22] Filed: **Jul. 22, 1991**

Related U.S. Application Data

[63] Continuation-in-part of Ser. No. 418,473, Oct. 6, 1989, Pat. No. Des. 320,796.

[52] U.S. Cl. **D14/240; D14/256**

[58] Field of Search 379/399, 412, 419, 437, 379/441; 361/356, 331, 332, 380, 381, 111, 119, 415, 426; D14/240, 256, 100, 107, 241, 114; D13/152, 184, 199, 160, 162

[56] References Cited

U.S. PATENT DOCUMENTS

- D. 287,583 1/1987 Smith et al. D14/240 X
- D. 297,136 8/1988 Collins et al. D13/184 X
- D. 304,339 10/1989 Collins et al. D13/184 X
- D. 312,460 11/1990 Smith D14/240

- D. 313,417 1/1991 Graham et al. D14/240
- D. 320,796 10/1991 Smith D14/240
- 4,729,059 3/1988 Wang 379/412 X
- 4,732,919 2/1988 Crane D13/152 X
- 4,749,359 6/1988 White 379/419 X
- 4,800,588 1/1989 Poster, Jr. D13/184 X
- 4,850,014 7/1989 Gillis et al. 379/399

OTHER PUBLICATIONS

Kedtel Advertisement, ©1987, article shown at top of page.

T11 Advertisement, T11 3400 Telephone network interface.

Primary Examiner—Nelson C. Holtje

Assistant Examiner—Jeffrey Asch

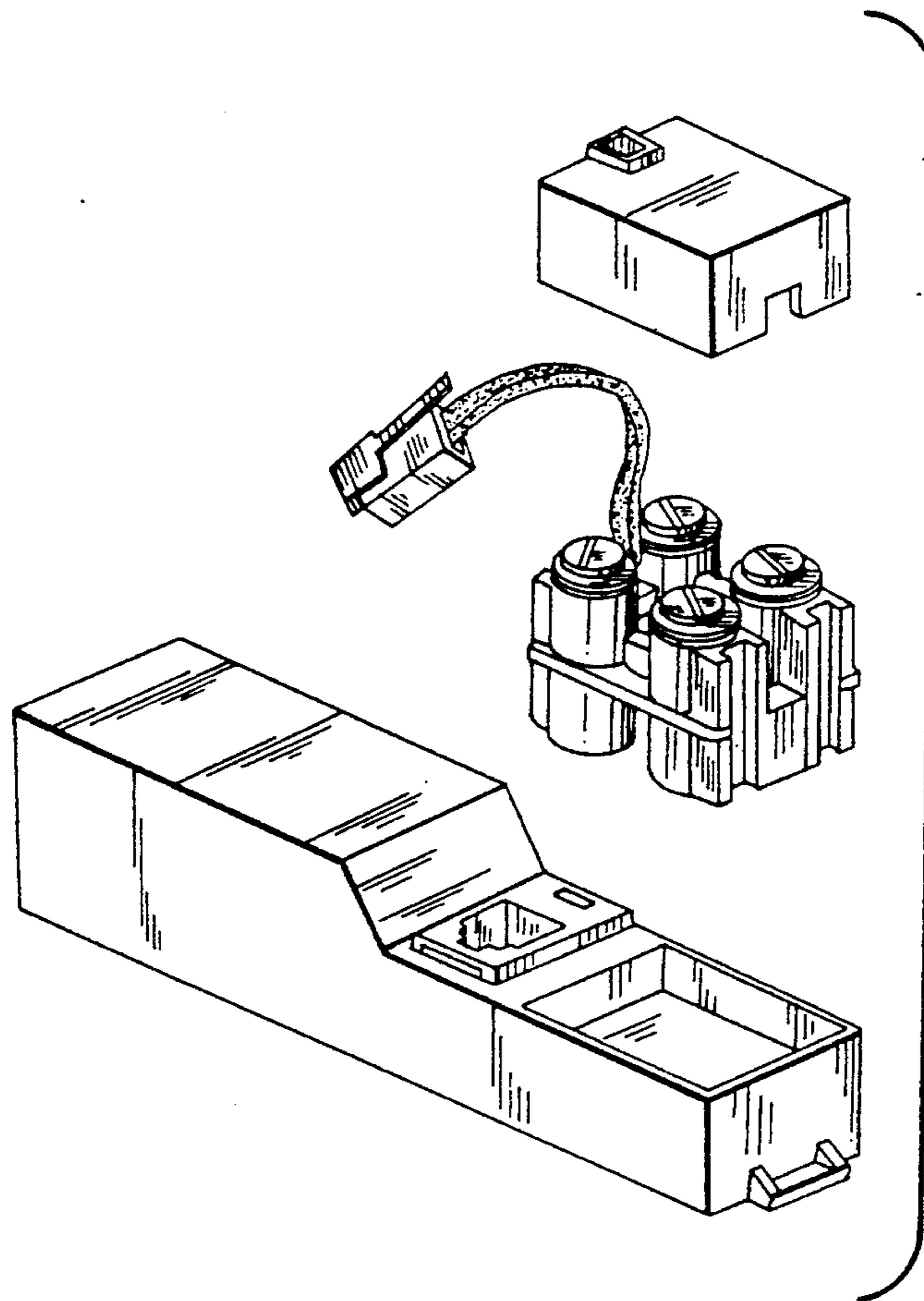
Attorney, Agent, or Firm—Sachs & Sachs

[57] CLAIM

The ornamental design for a telephone network interface module, as shown and described.

DESCRIPTION

FIG. 1 is an exploded perspective view of a telephone network interface module showing my new design; FIG. 2 is a front, left side, top perspective view; FIG. 3 is a right side elevational view; and, FIG. 4 is a rear elevational view thereof.



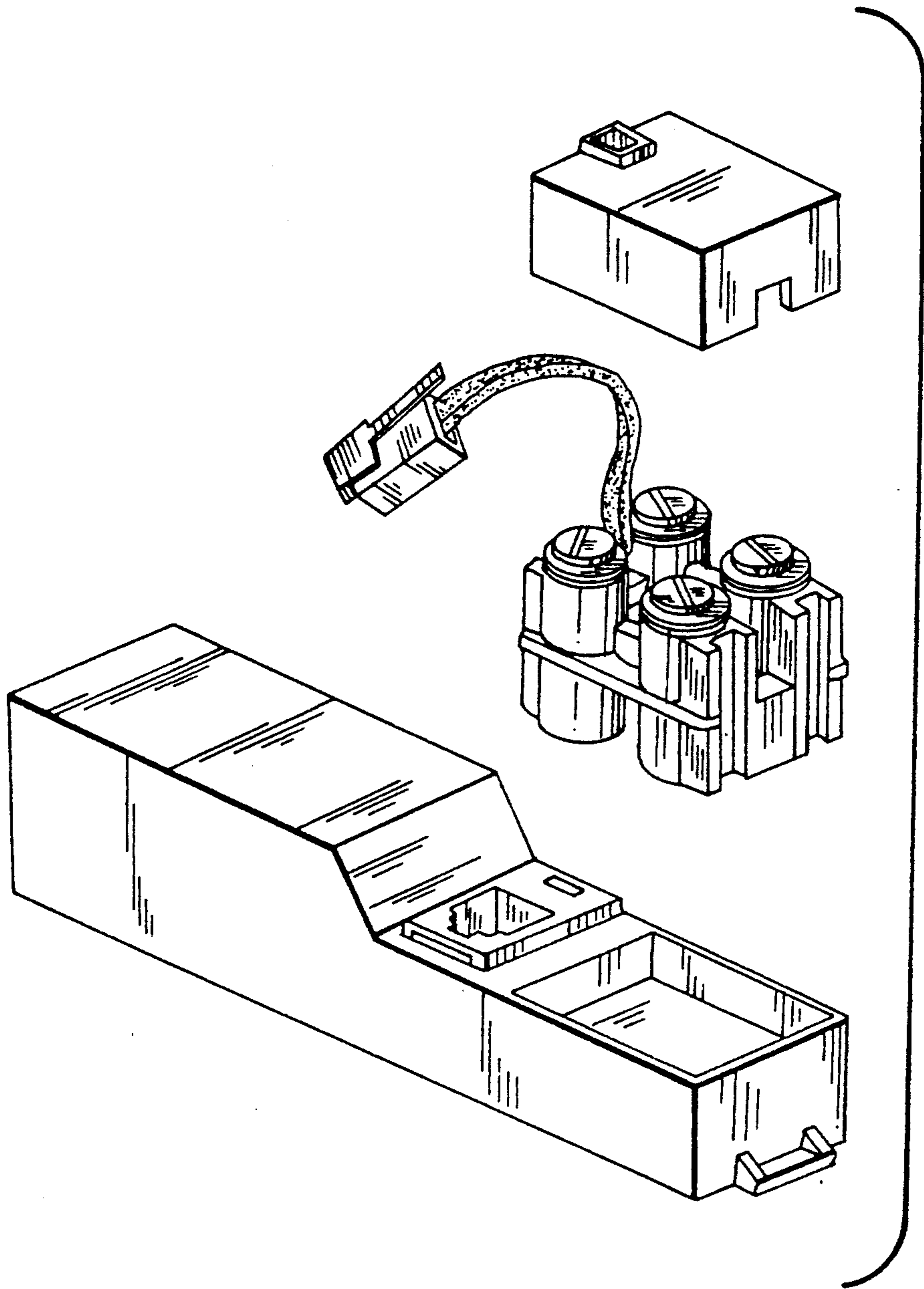


FIGURE 1

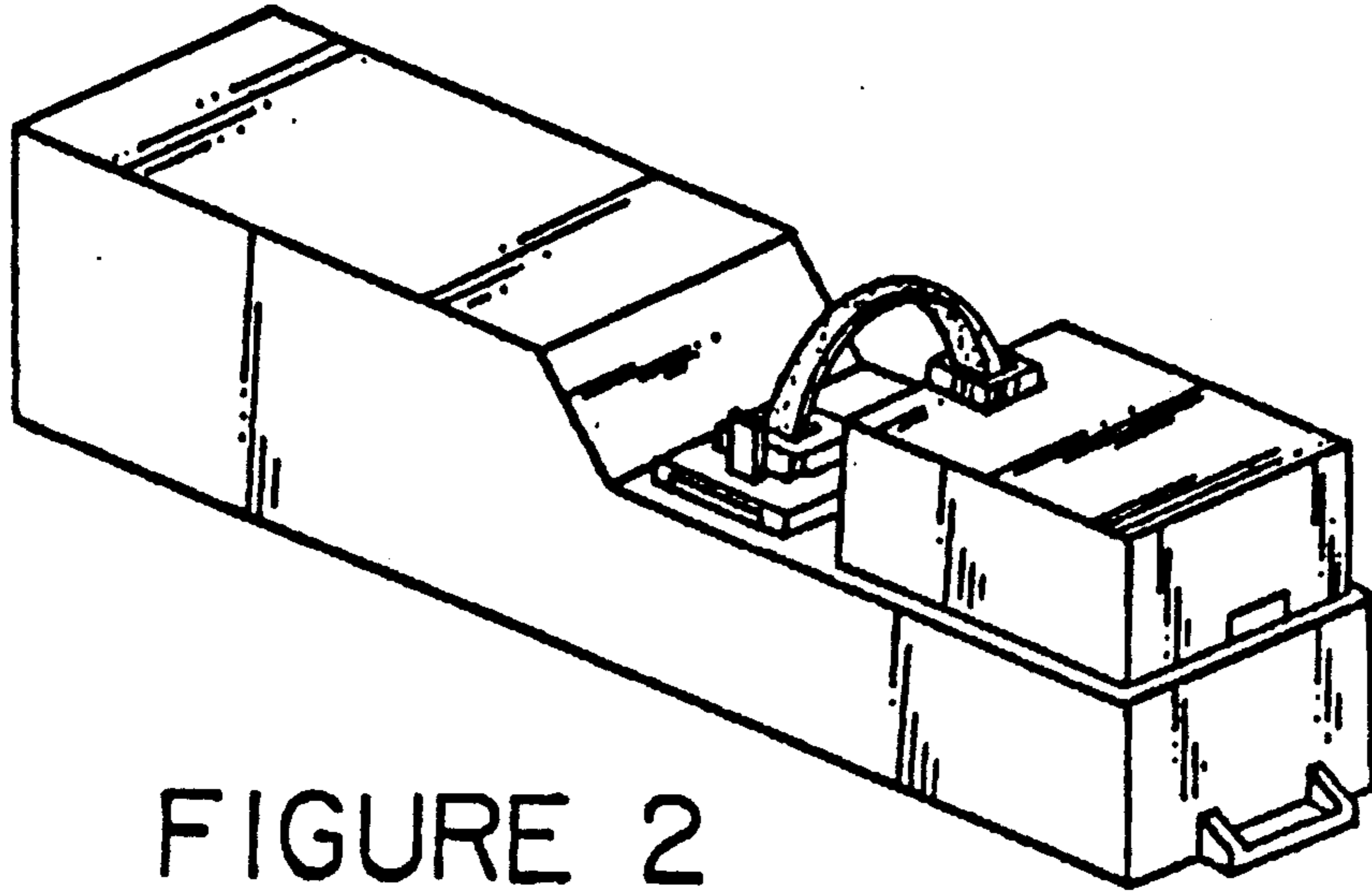


FIGURE 2

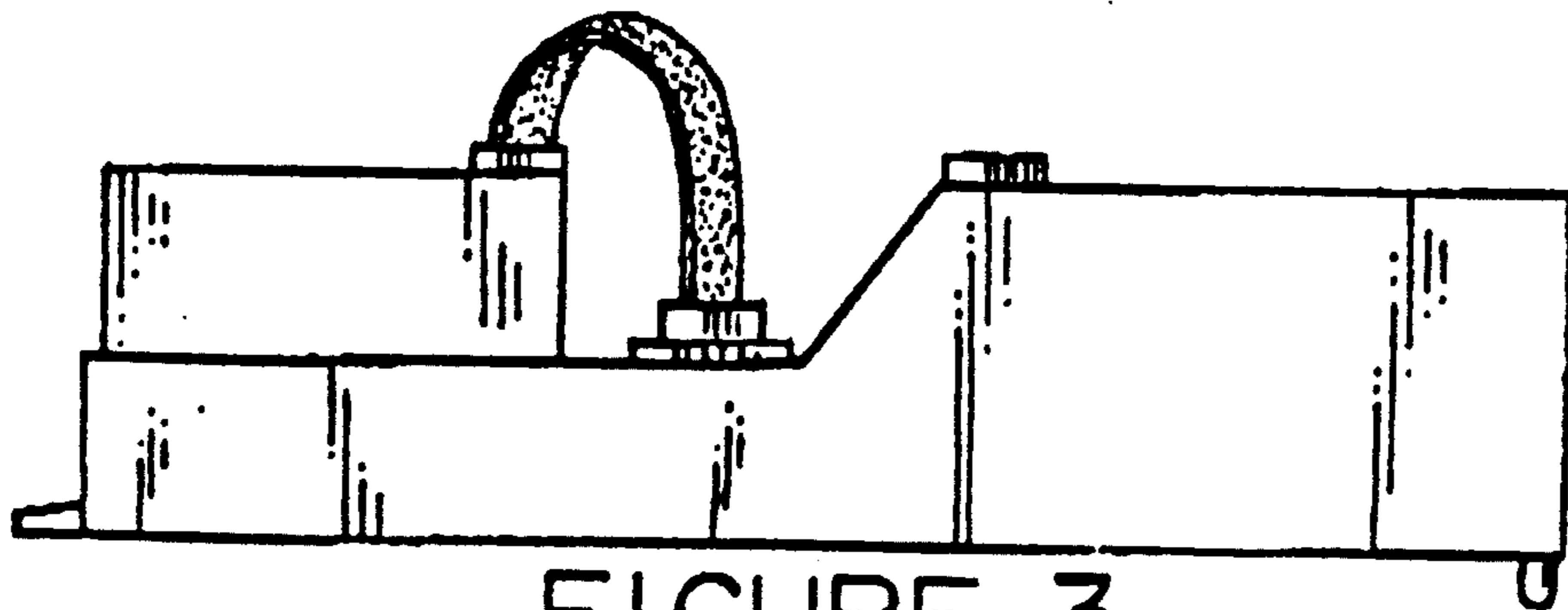


FIGURE 3

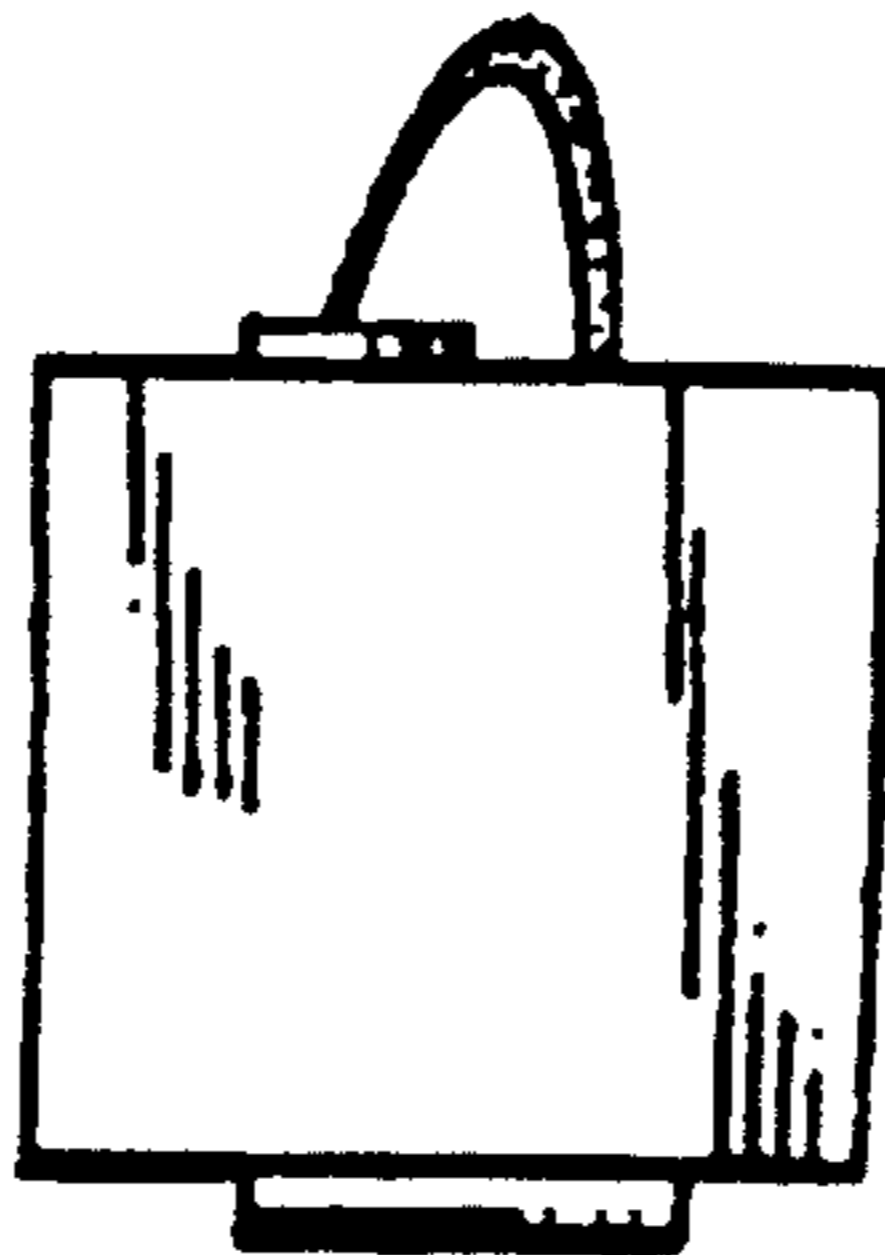


FIGURE 4