



US00D347227S

# United States Patent [19]

[11] Patent Number: **Des. 347,227**

Ernst et al.

[45] Date of Patent: **\*\* May 24, 1994**

[54] COVER FOR A VCR TAPE SLOT

5,076,461	12/1991	Nichols	220/352
5,124,871	6/1992	Smith	70/14
5,156,027	10/1992	Reusch	70/14

[76] Inventors: **Kevin Ernst**, 5448 Randolph Crescent; **Dan Davidson**, 679 Inverary Rd., both of Burlington, Ontario, Canada, L7L-3C5

*Primary Examiner*—B. J. Bullock  
*Attorney, Agent, or Firm*—Terry M. Gernstein

[\*\*] Term: **14 Years**

[57] **CLAIM**

[21] Appl. No.: **913,538**

The ornamental design for a cover for a VCR tape slot, as shown and described.

[22] Filed: **Jul. 14, 1992**

### DESCRIPTION

[52] U.S. Cl. .... **D14/239; D14/135**

[58] Field of Search ..... 360/137; 70/14, 58, 70/63, 167, 168; 220/306, 307, 352; D14/135, 239

FIG. 1 is a top, front and end perspective view of the cover for a cover for a VCR tape slot showing our new design;

[56] **References Cited**

#### U.S. PATENT DOCUMENTS

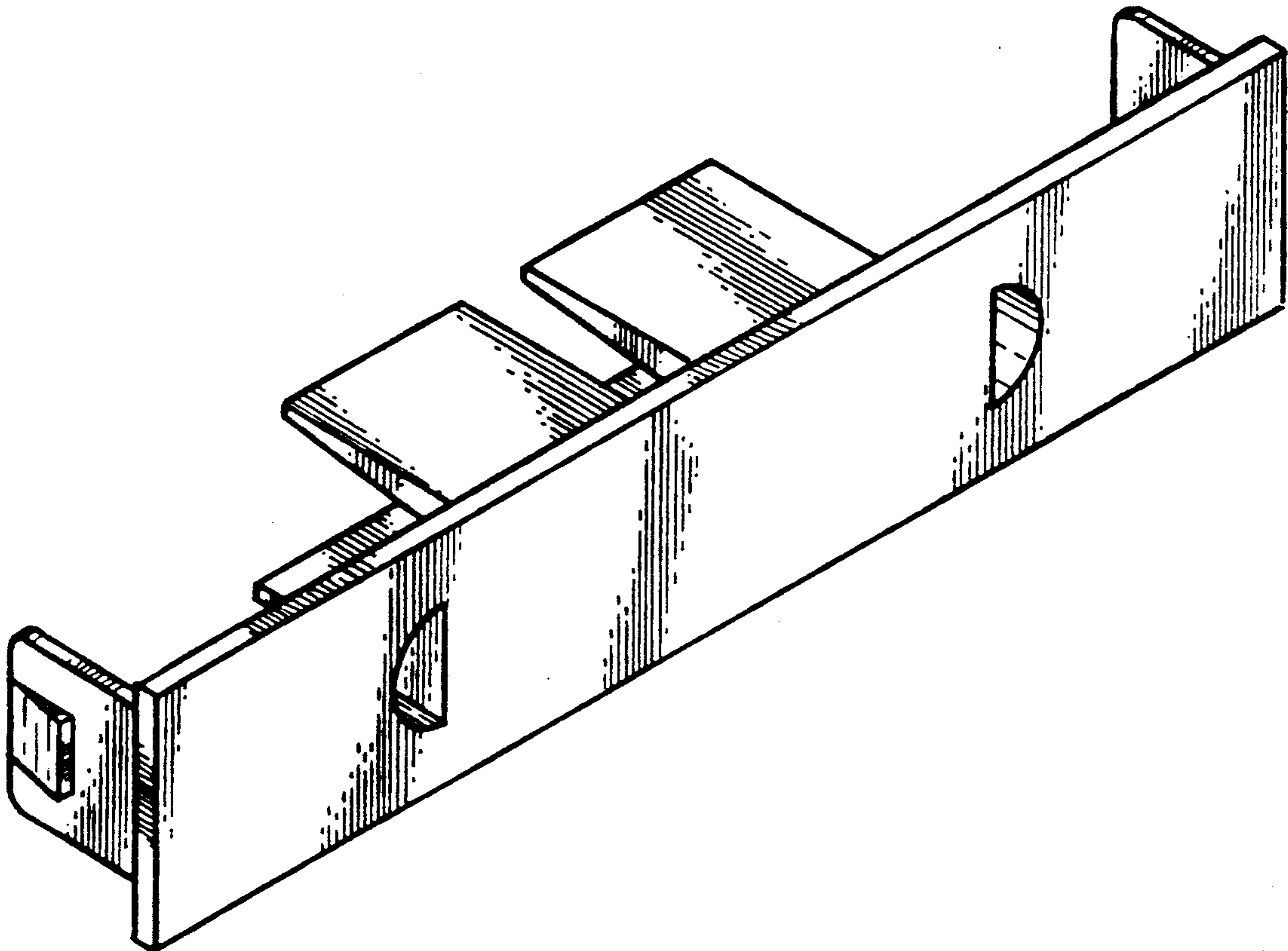
4,655,057	4/1987	Derman	360/137
4,901,879	2/1990	Clemente	220/256
4,908,728	3/1990	Pinkett	70/58
4,964,286	10/1990	Poyer	70/14

FIG. 2 is a left end elevational view thereof, the right end being a mirror image of the left end shown in FIG. 2;

FIG. 3 is a front elevational view thereof;

FIG. 4 is a rear elevational view thereof; and,

FIG. 5 is a top plan view thereof, the bottom view being a mirror image of the top view shown in FIG. 5.



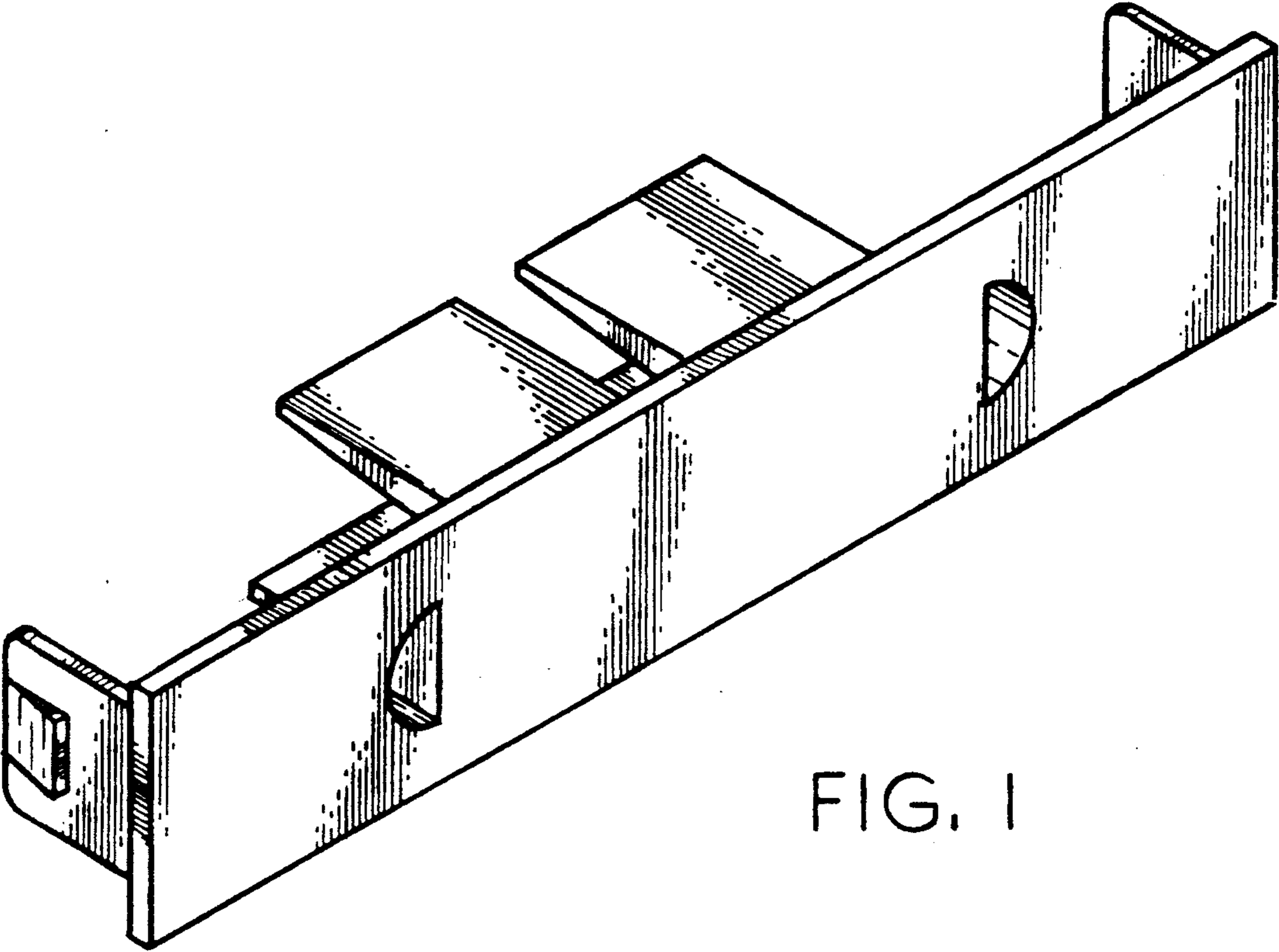


FIG. 1

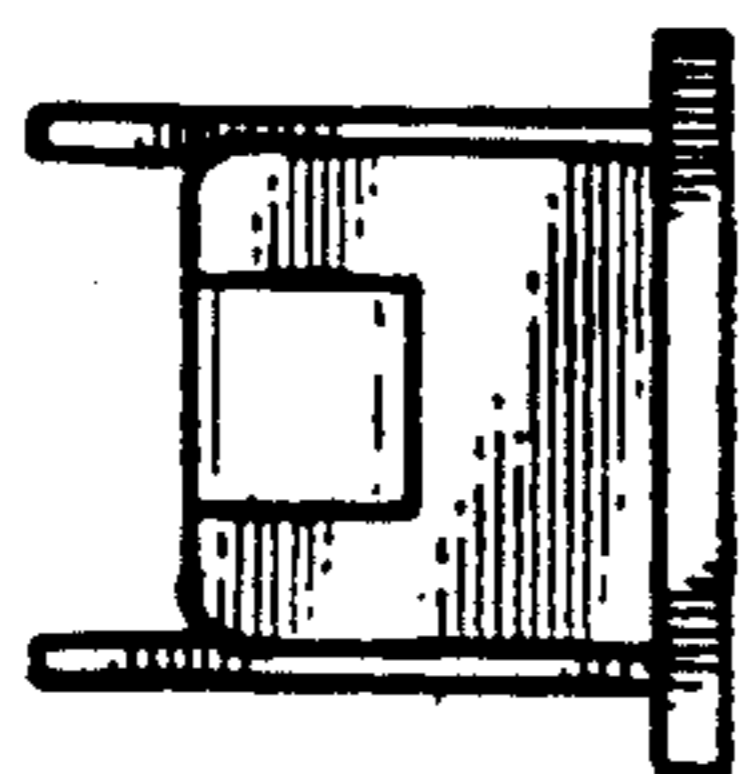


FIG. 2

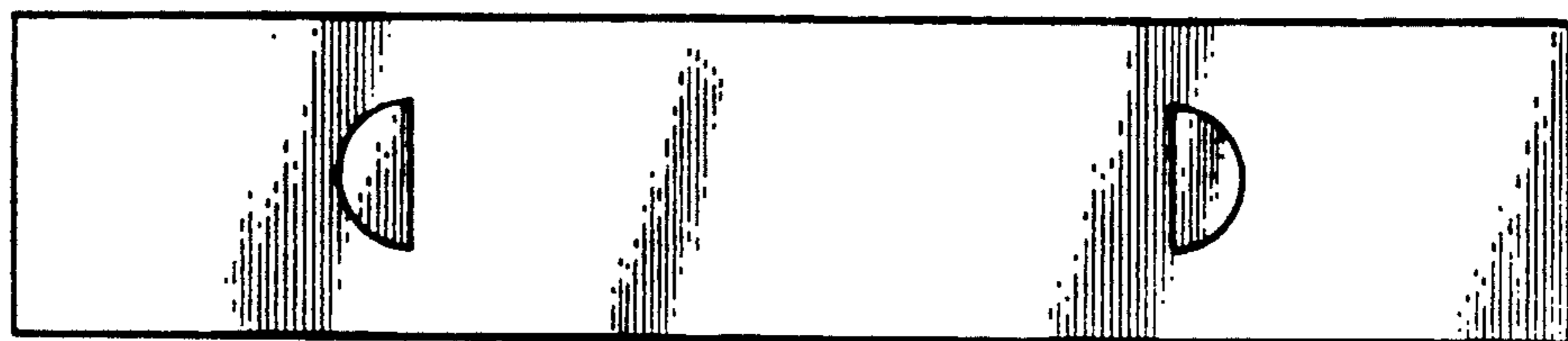


FIG. 3

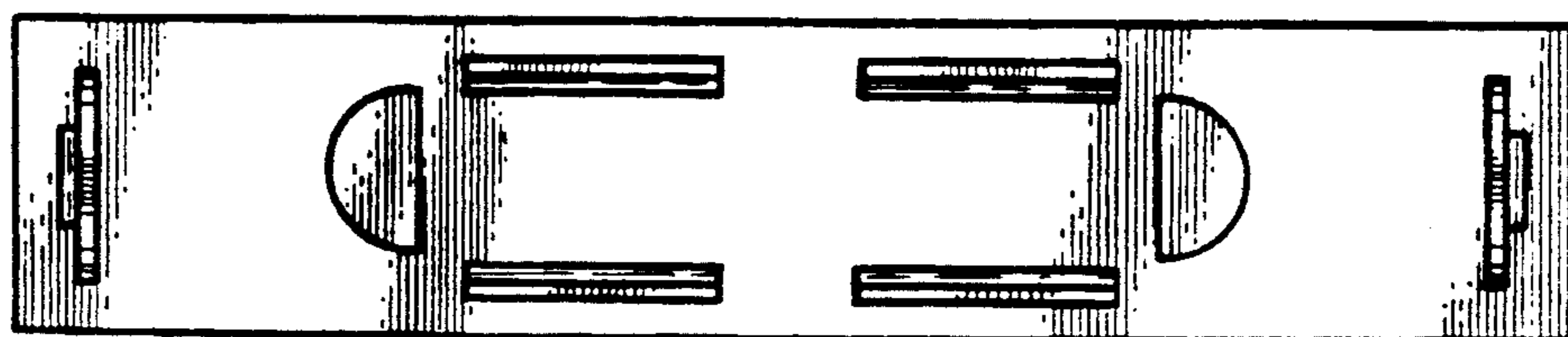


FIG. 4



FIG. 5