



US00D347218S

# United States Patent [19]

[11] Patent Number: **Des. 347,218**

Shuler

[45] Date of Patent: **\*\* May 24, 1994**

[54] **MONITOR TRANSMITTER**

D. 310,664 9/1990 Murphy ..... D14/159

[75] Inventor: **Eric T. Shuler, Orchard Park, N.Y.**

*Primary Examiner*—B. J. Bullock  
*Attorney, Agent, or Firm*—Howrey & Simon

[73] Assignee: **Fisher-Price, Inc., East Aurora, N.Y.**

[\*\*] Term: **14 Years**

[57] **CLAIM**

[21] Appl. No.: **877,044**

The ornamental design for a monitor transmitter, as shown and described.

[22] Filed: **Apr. 27, 1992**

**DESCRIPTION**

[52] U.S. Cl. .... **D14/137; D14/159**

[58] Field of Search ..... **455/73, 89, 90, 128, 455/129, 347, 351; D14/137, 155, 159, 188, 194, 196, 197; D21/111, 113**

FIG. 1 is a right side front perspective view of a monitor transmitter showing my new design;

FIG. 2 is a left rear perspective view thereof;

FIG. 3 is a partial enlarged front elevational view thereof, the upper portion of the antenna being omitted for ease of illustration;

FIG. 4 is a right side elevational view of FIG. 3;

FIG. 5 is a rear elevational view of FIG. 3;

FIG. 6 is a left side elevational view of FIG. 3;

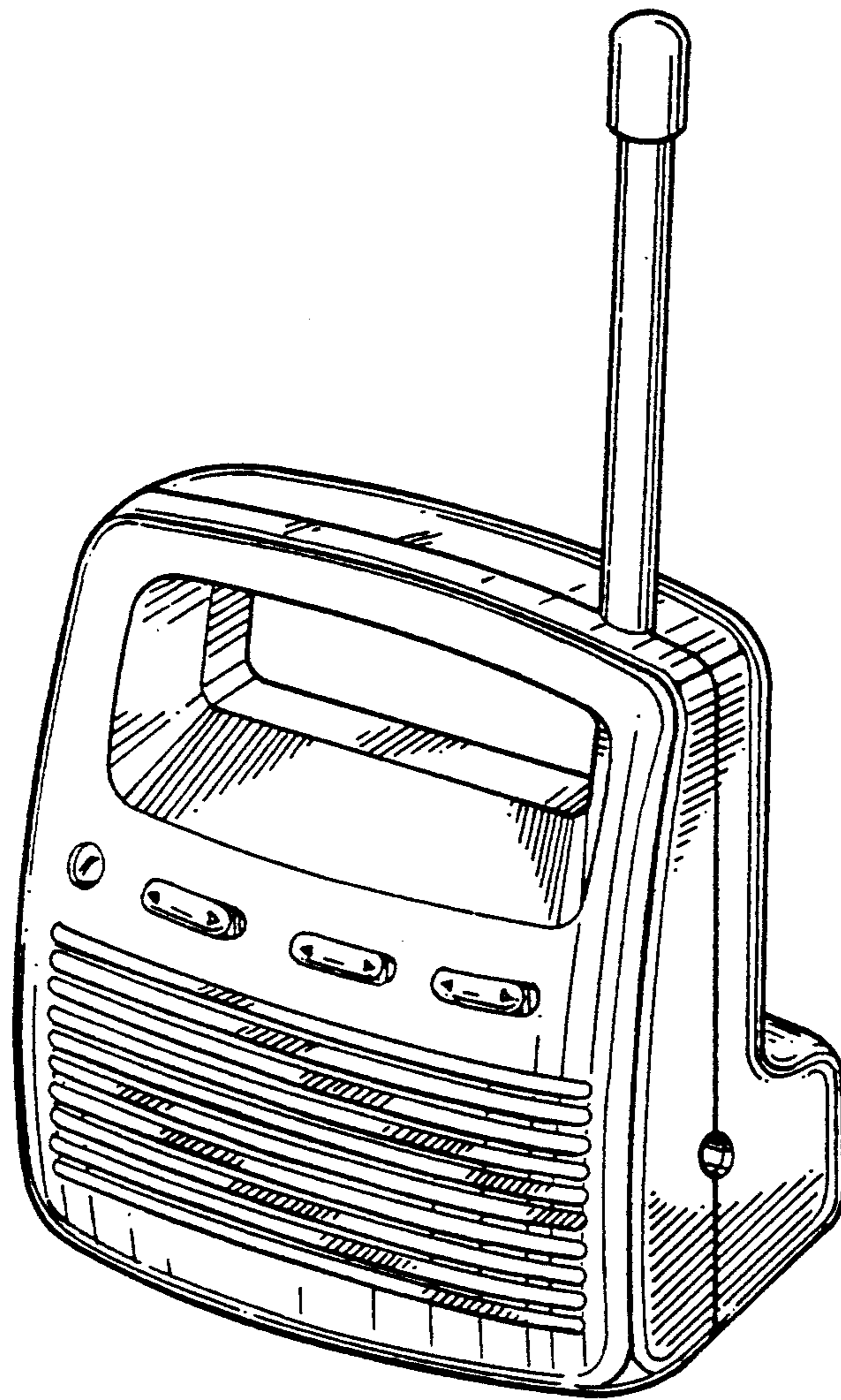
FIG. 7 is an enlarged top plan view thereof; and,

FIG. 8 is an enlarged bottom plan view thereof.

[56] **References Cited**

**U.S. PATENT DOCUMENTS**

D. 283,816	5/1986	Cutter	.....	D14/194
D. 283,892	5/1986	Cutter	.....	D14/137
D. 288,947	3/1987	Kwan	.....	D21/111
D. 310,218	8/1990	Murphy	.....	D14/137



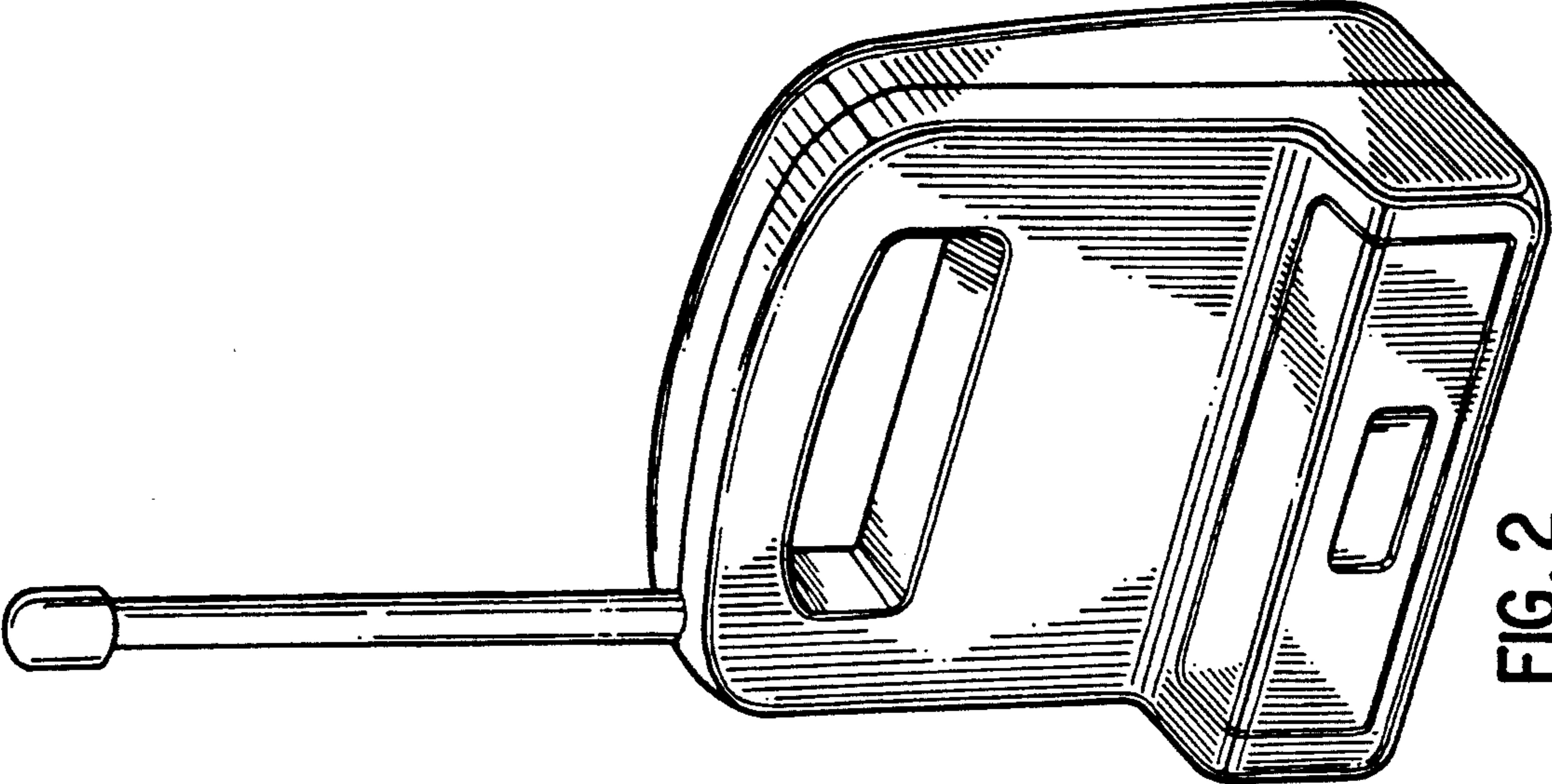


FIG. 2

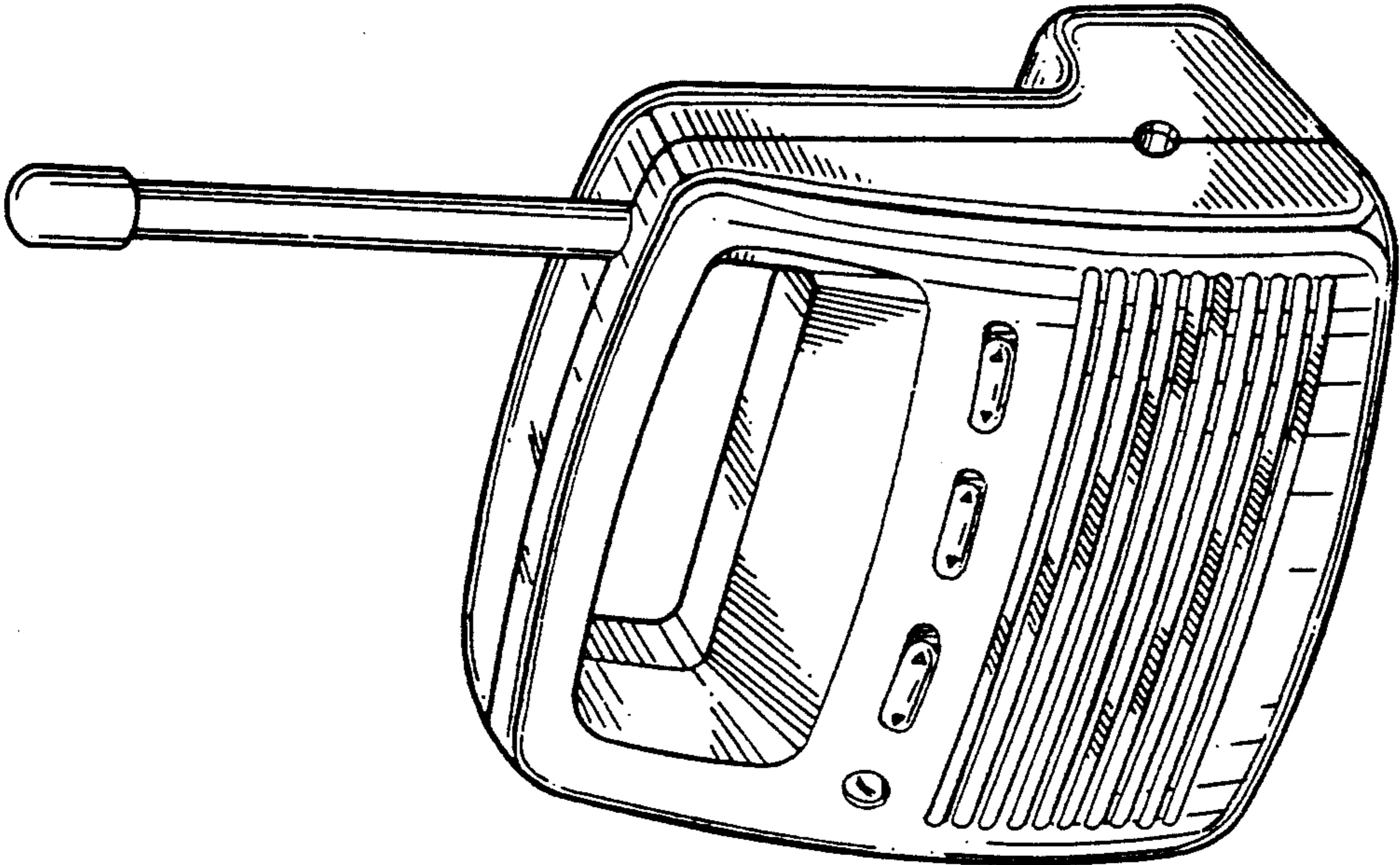


FIG. 1

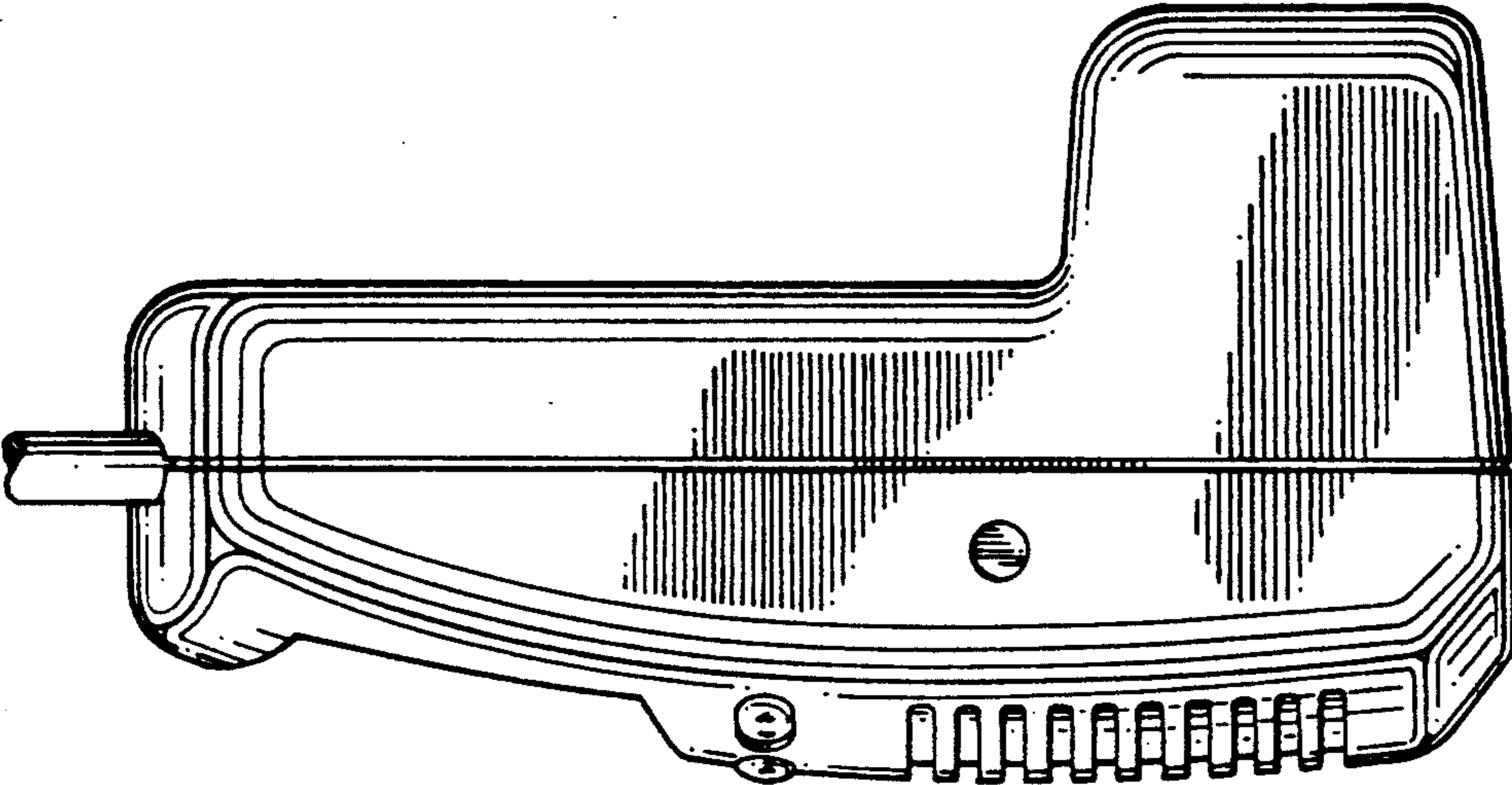


FIG. 4

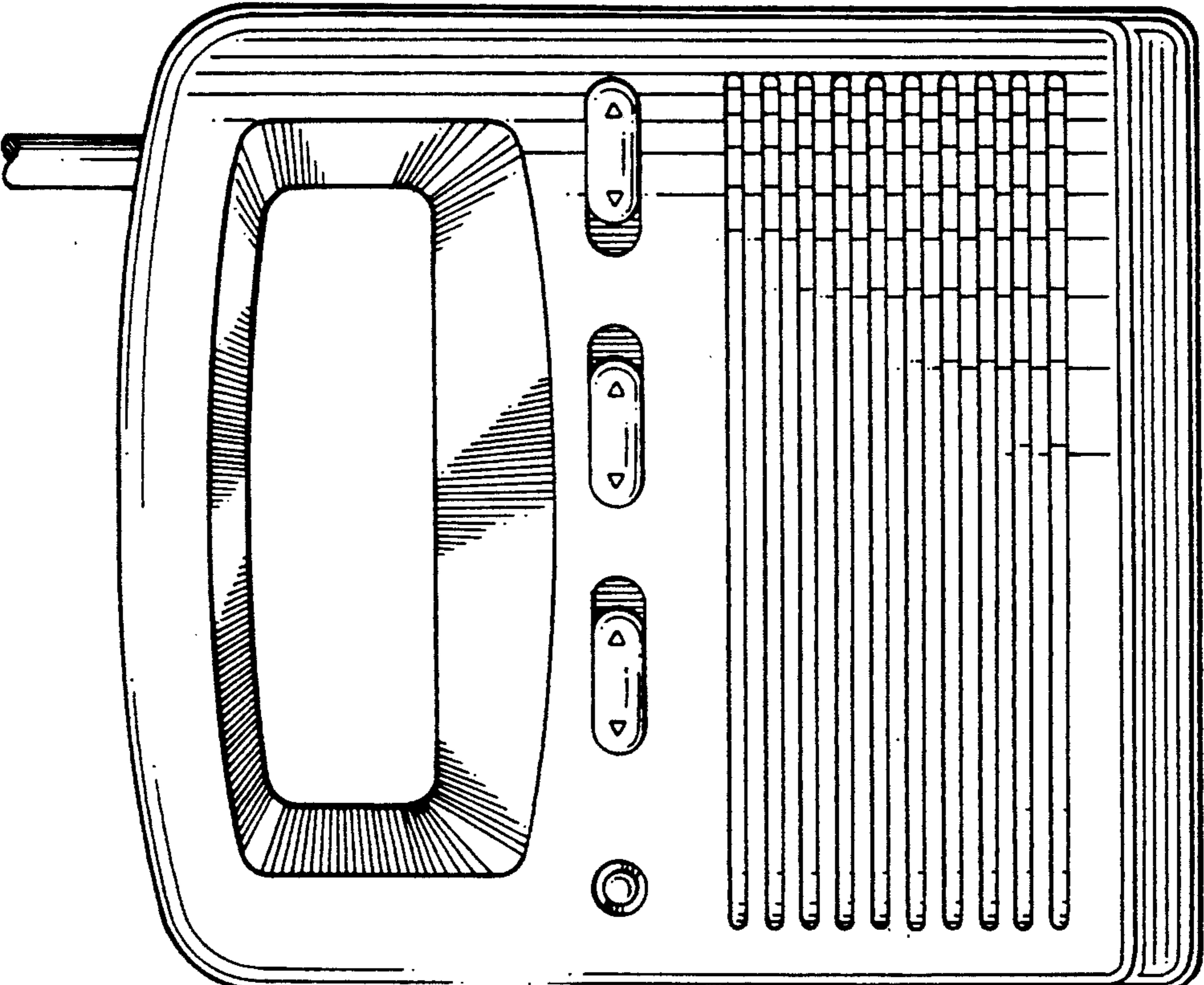


FIG. 3

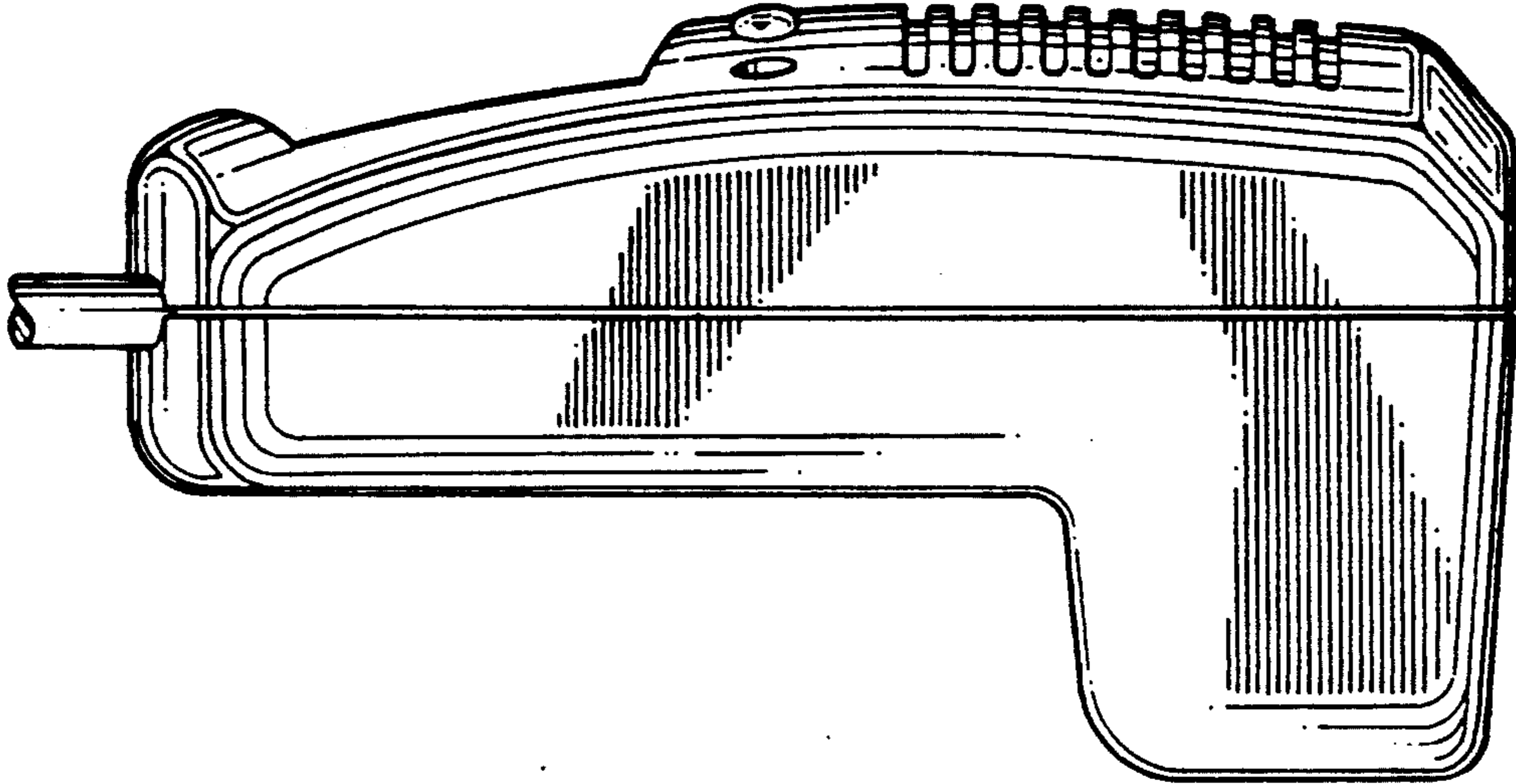


FIG. 6

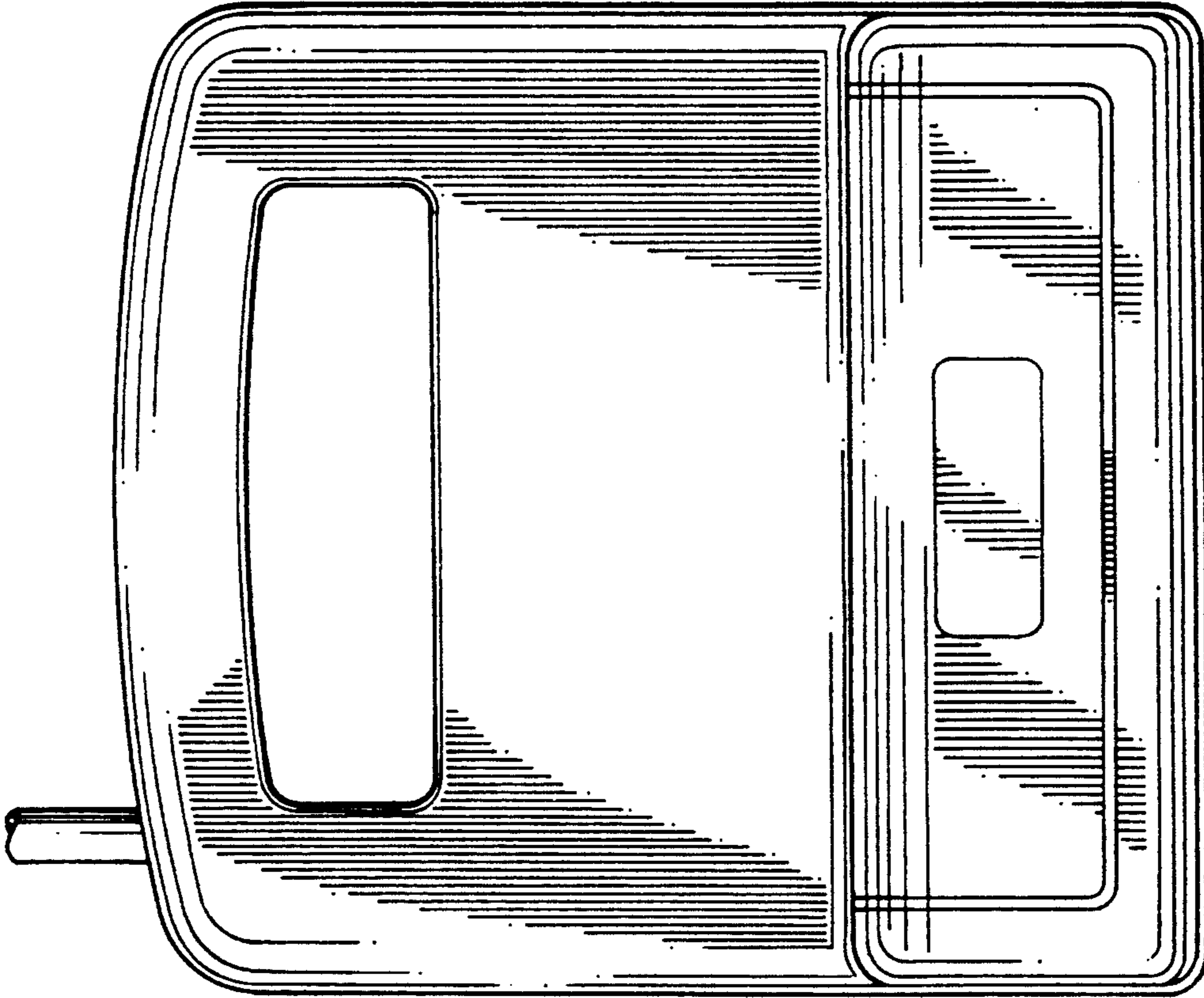


FIG. 5

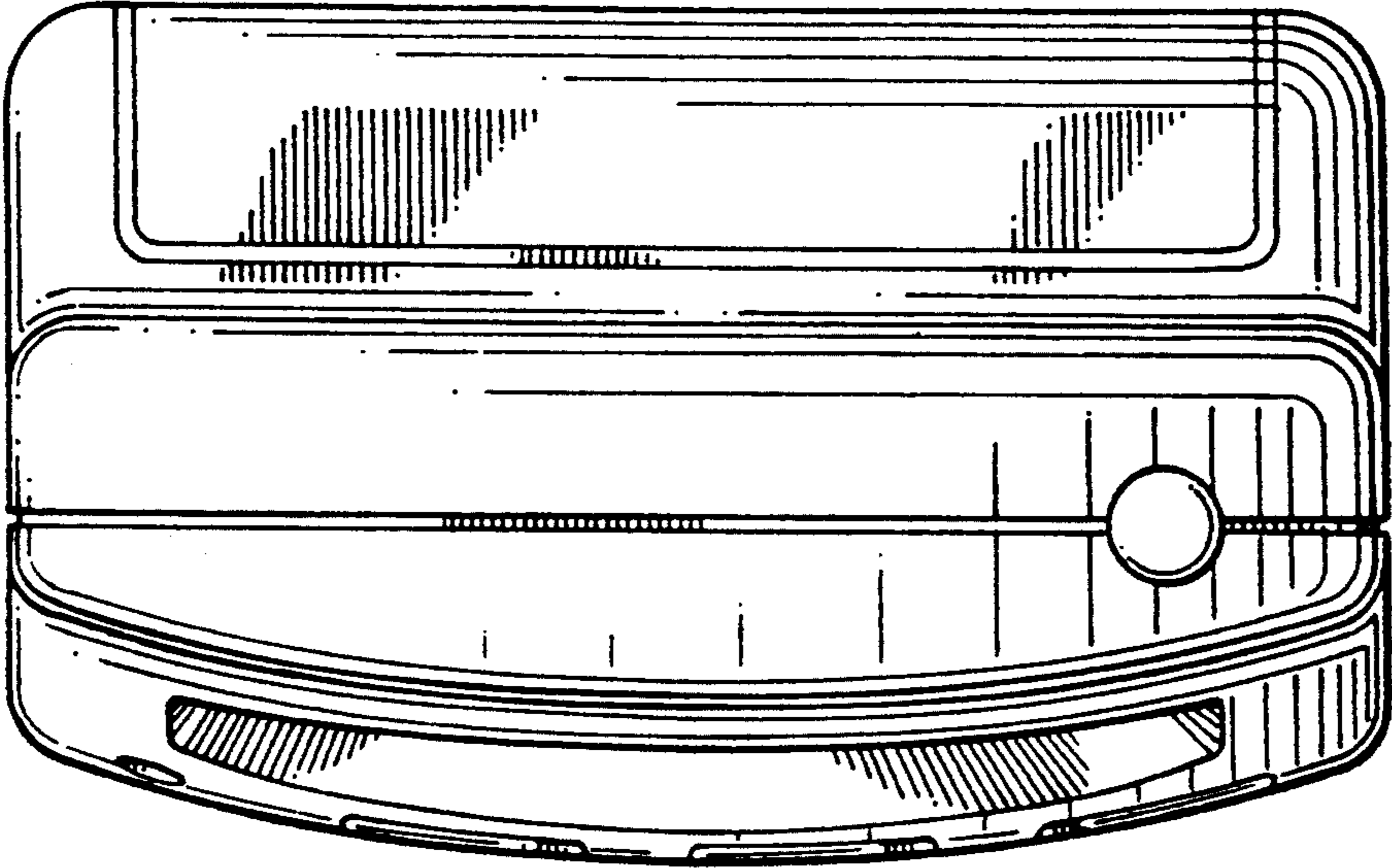


FIG. 7

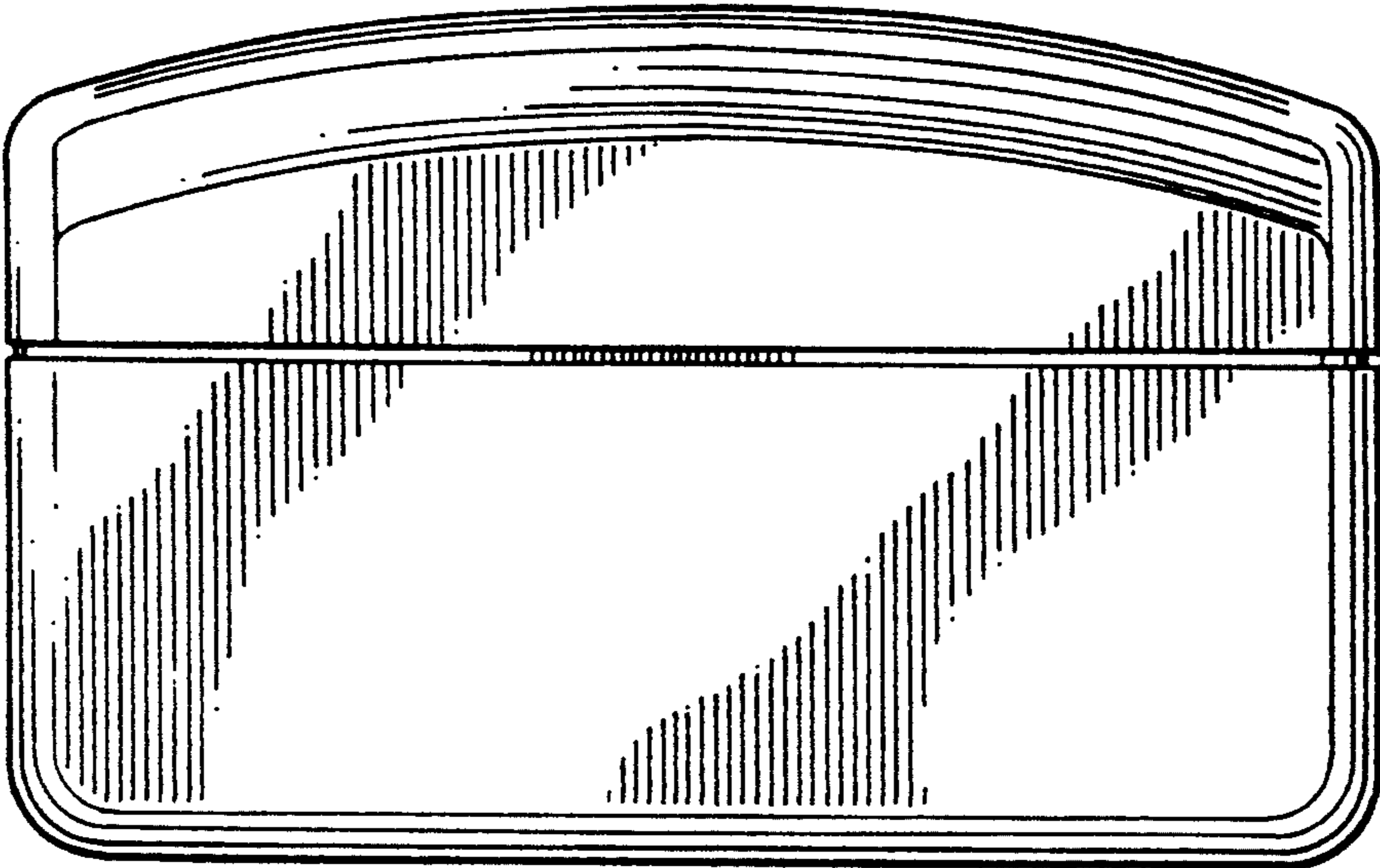


FIG. 8