



US00D347212S

United States Patent [19] Riley

[11] Patent Number: **Des. 347,212**

[45] Date of Patent: **** May 24, 1994**

[54] ENCLOSURE FOR A COMPUTER

D. 331,391 12/1992 Furuta et al. D14/100

[75] Inventor: **Raymond W. Riley, San Jose, Calif.**

Primary Examiner—Wallace R. Burke

Assistant Examiner—Freda S. Nunn

[73] Assignee: **Apple Computer, Inc., Cupertino, Calif.**

Attorney, Agent, or Firm—Jeffrey J. Brooks

[**] Term: **14 Years**

[57] **CLAIM**

The ornamental design for an enclosure for a computer, as shown and described.

[21] Appl. No.: **4,531**

DESCRIPTION

[22] Filed: **Feb. 8, 1993**

[52] U.S. Cl. **D14/100**

[58] Field of Search D6/421, 423; 312/208.1, 312/223.2, 223.3, 194; 360/99.12; 361/622, 724, 727; D14/100, 107, 108, 109; D13/184, 199

FIG. 1 is a slightly reduced front top and right side perspective view of an enclosure for a computer showing my new design;

FIG. 2 is a top plan view thereof;

FIG. 3 is a bottom plan view thereof;

FIG. 4 is a right side elevational view thereof;

FIG. 5 is a left side elevational view thereof;

FIG. 6 is a front elevational view thereof;

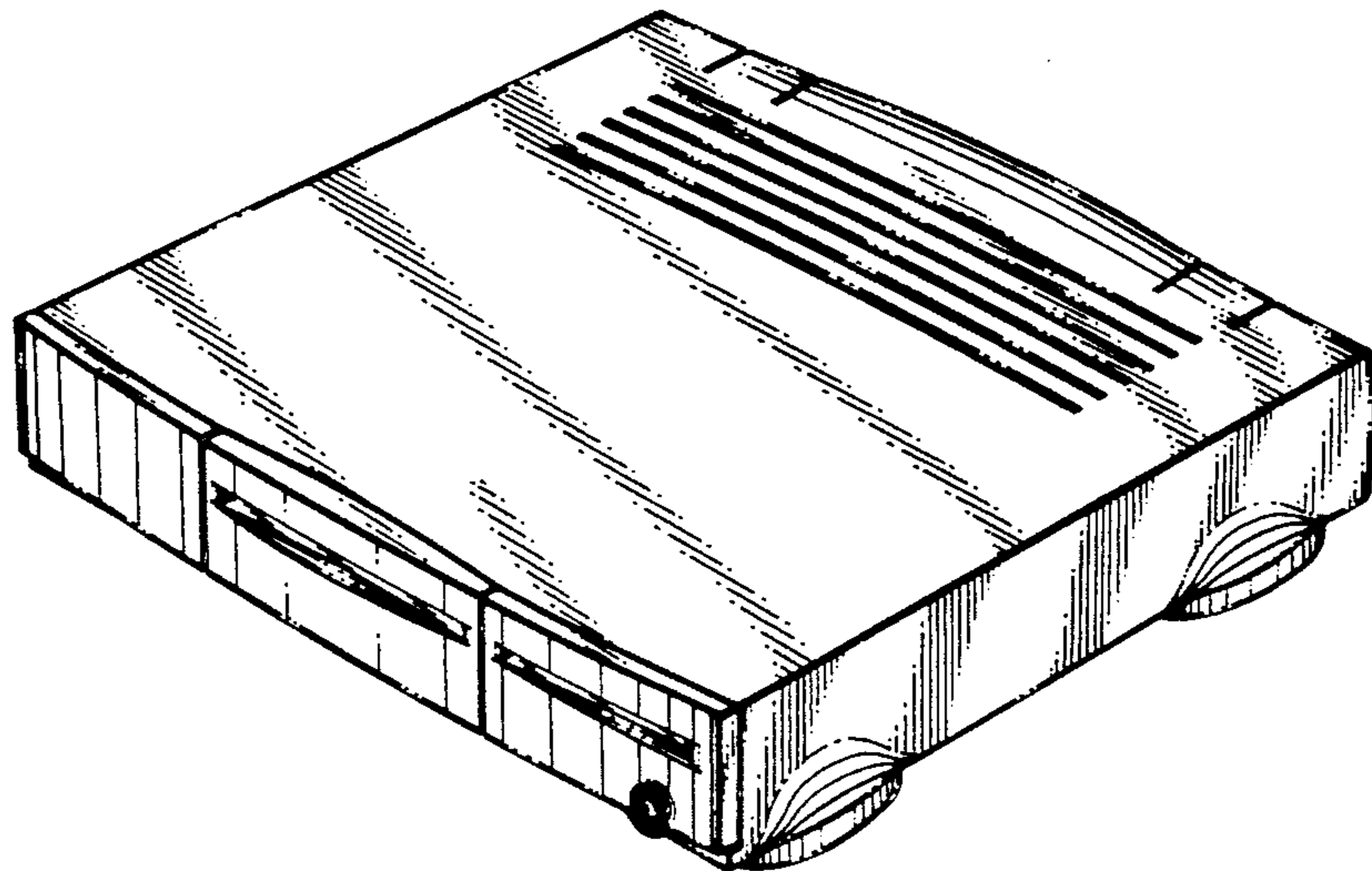
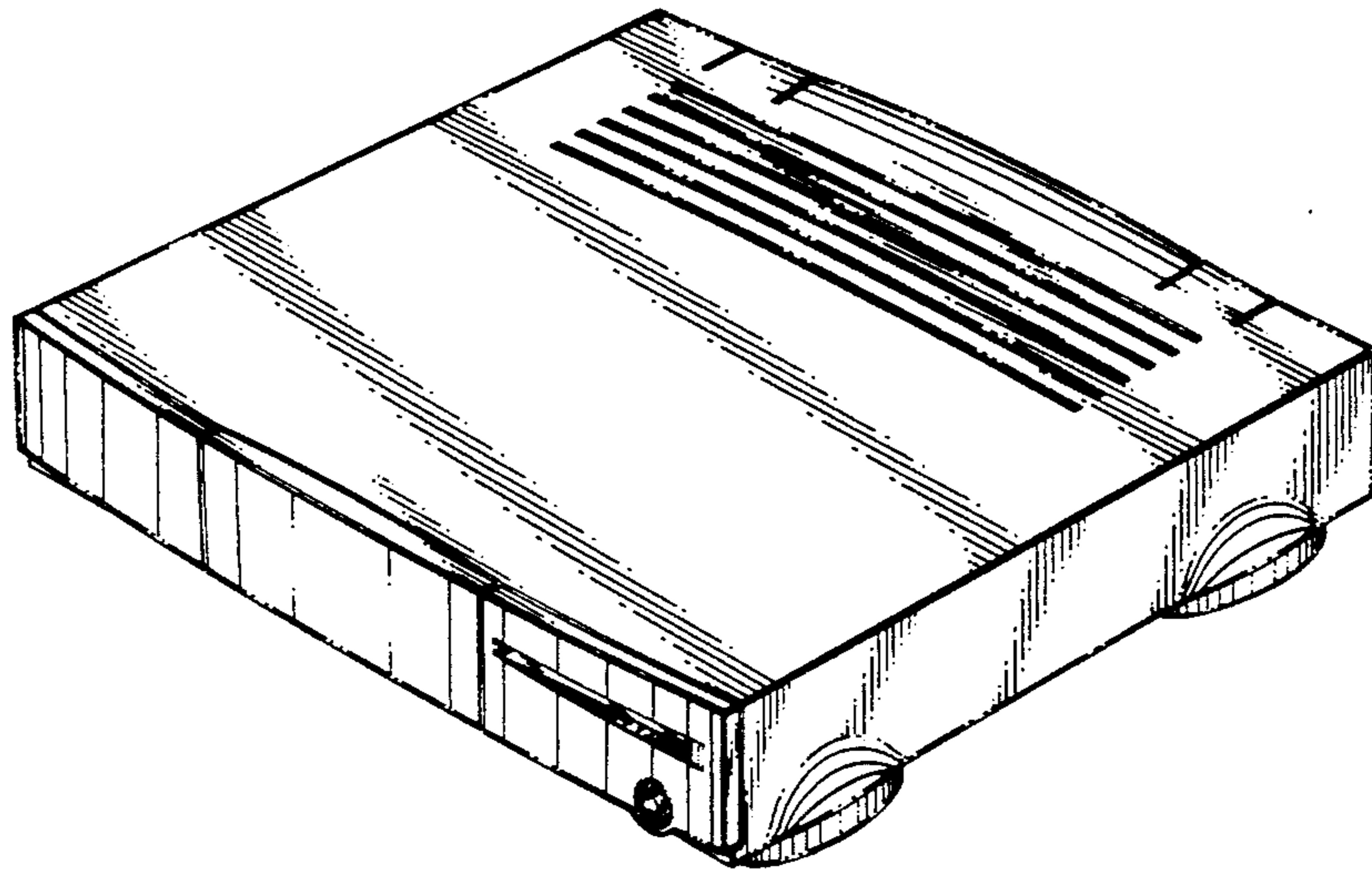
FIG. 7 is a rear elevational view thereof; and,

FIG. 8 is a slightly reduced front top and right side perspective view of a second embodiment thereof wherein the only difference is in the front panel.

[56] References Cited

U.S. PATENT DOCUMENTS

- | | | | |
|------------|---------|---------------------|---------|
| D. 304,823 | 11/1989 | Pfeifer et al. | D14/100 |
| D. 323,818 | 2/1992 | Willis et al. | D14/100 |
| D. 325,194 | 4/1992 | Kline et al. | D14/100 |
| D. 328,735 | 8/1992 | Barbera et al. | D14/100 |



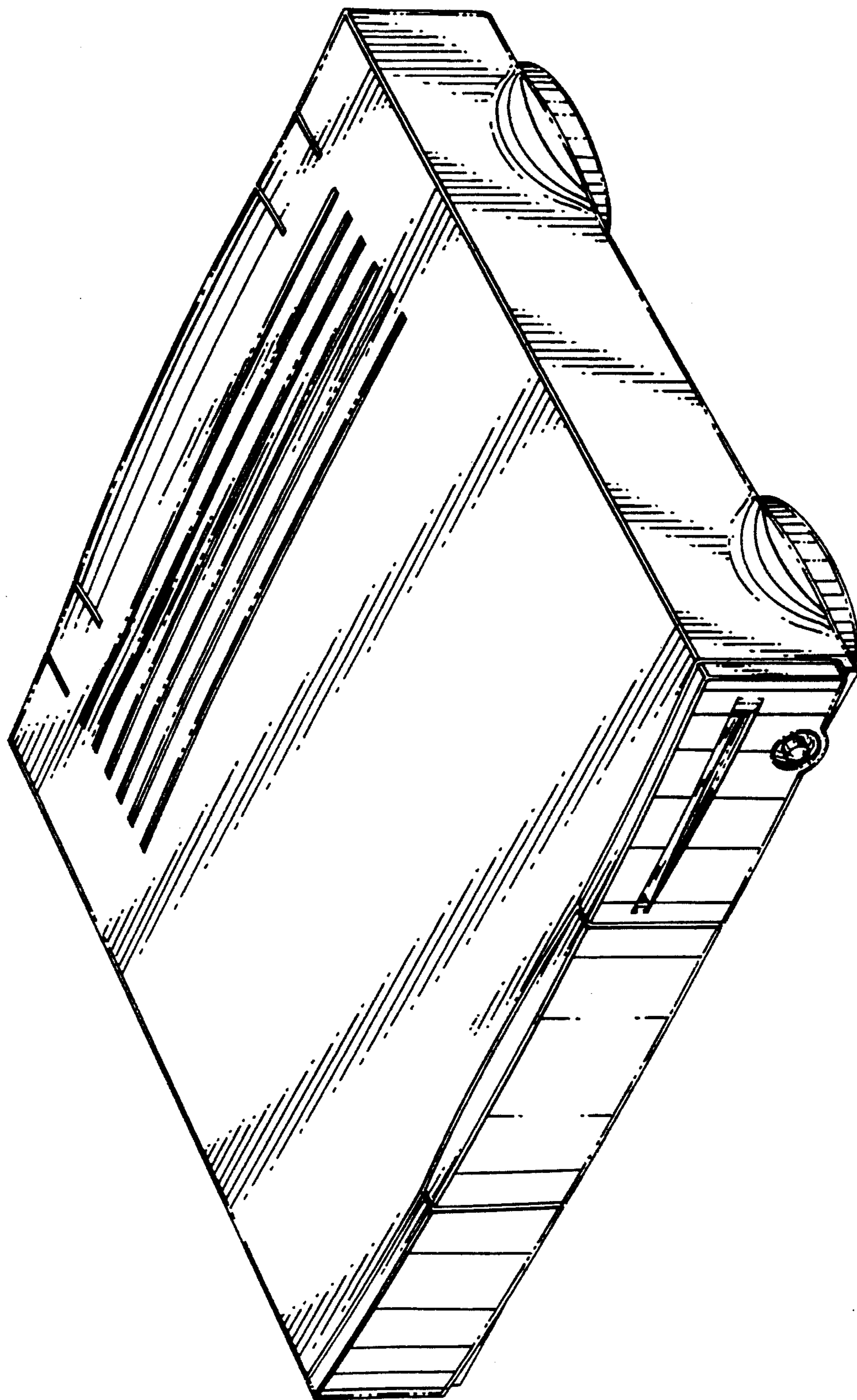
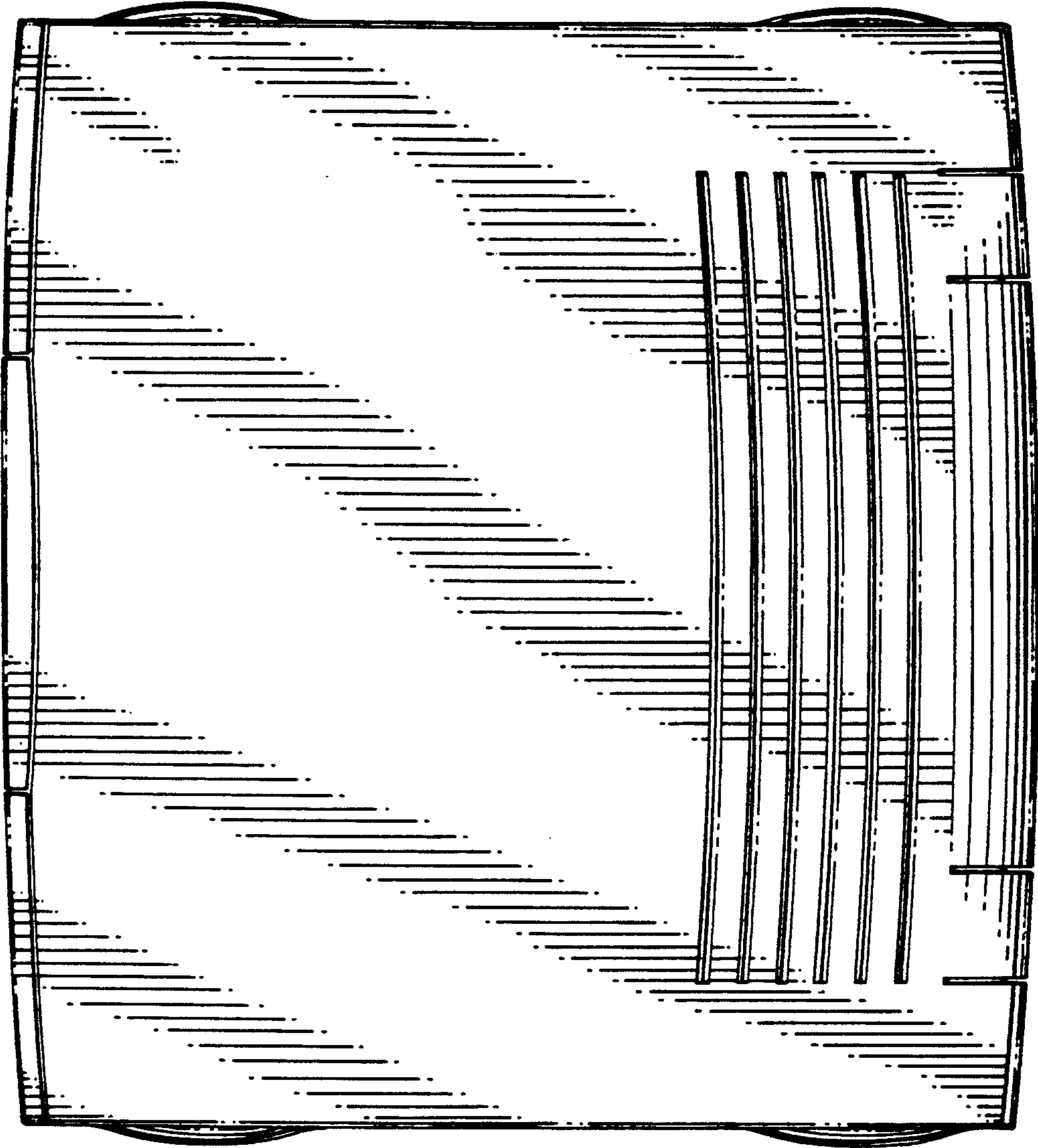


FIG 1

FIG 2



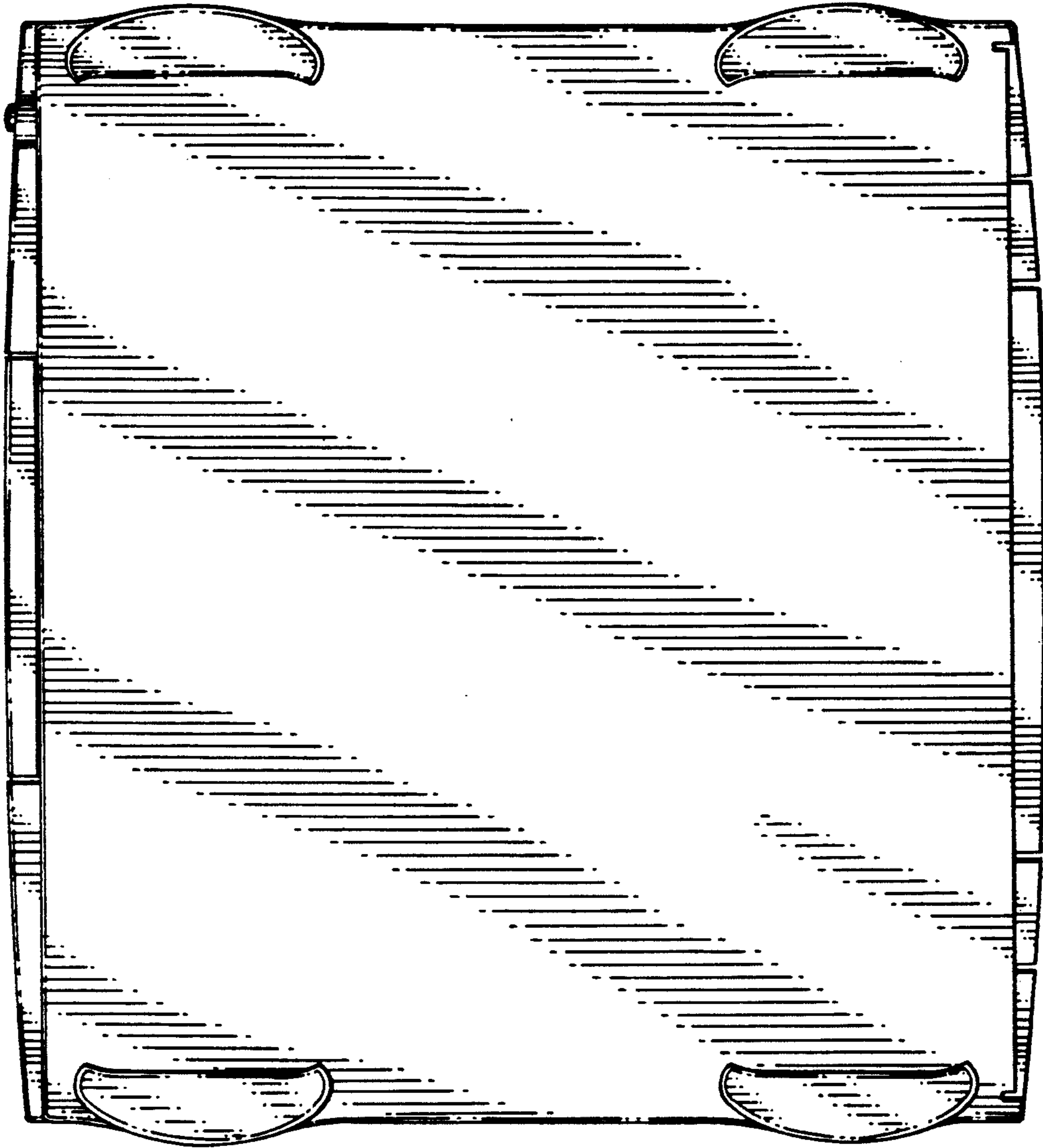


FIG 3

FIG — **4**

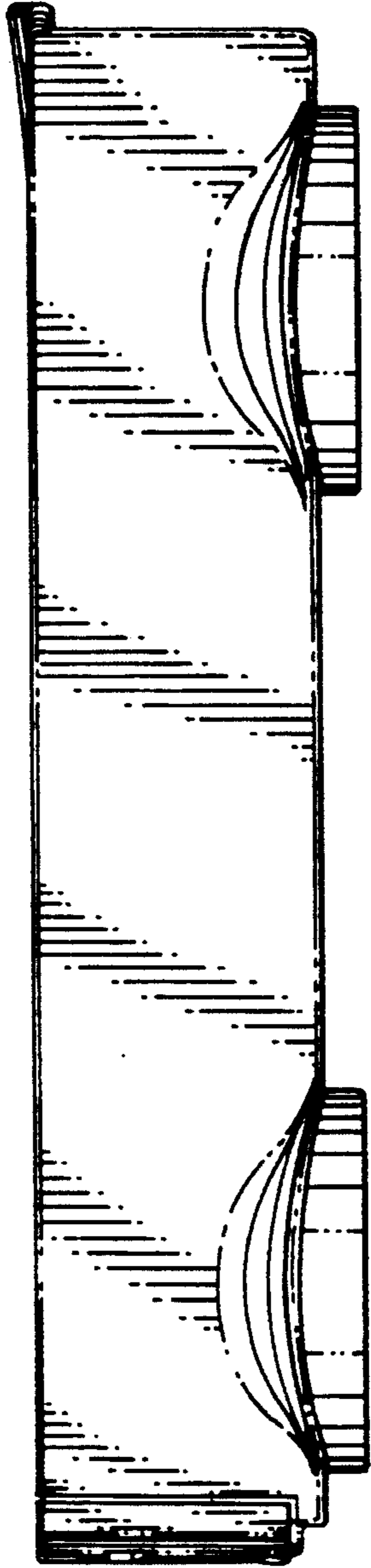


FIG — **5**

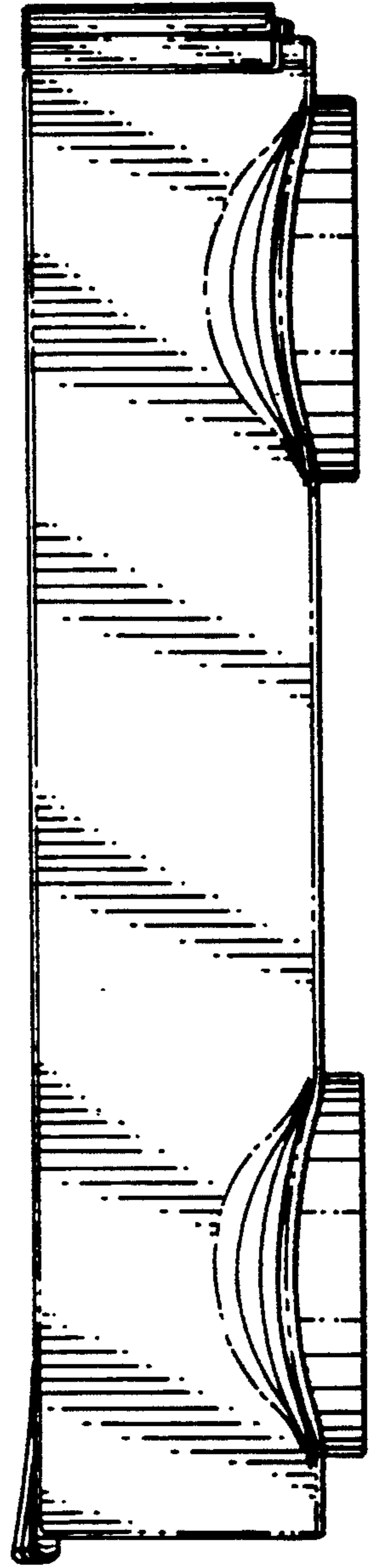


FIG. 6

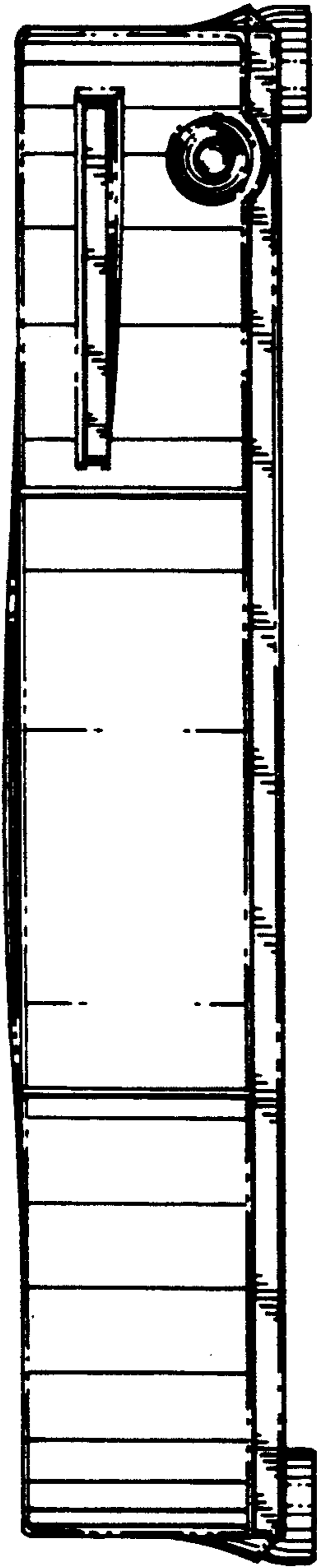
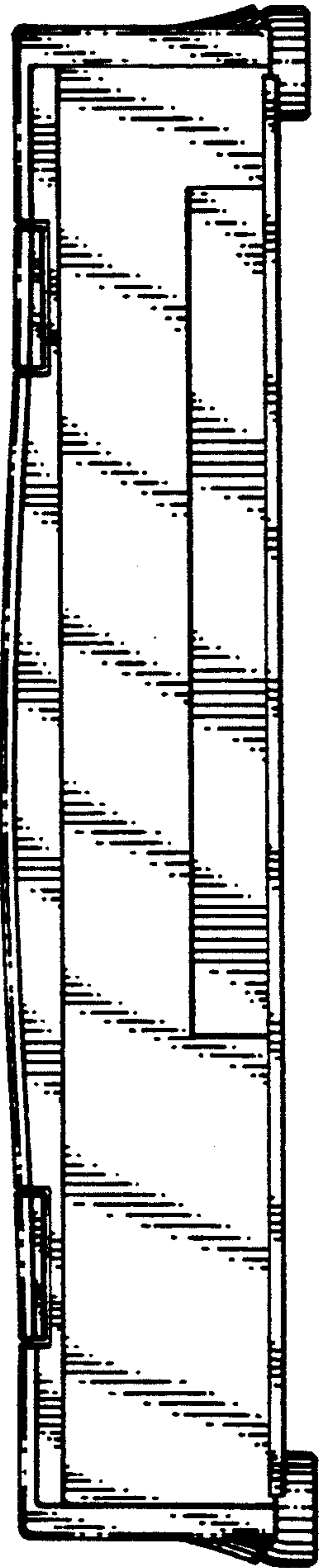


FIG. 7



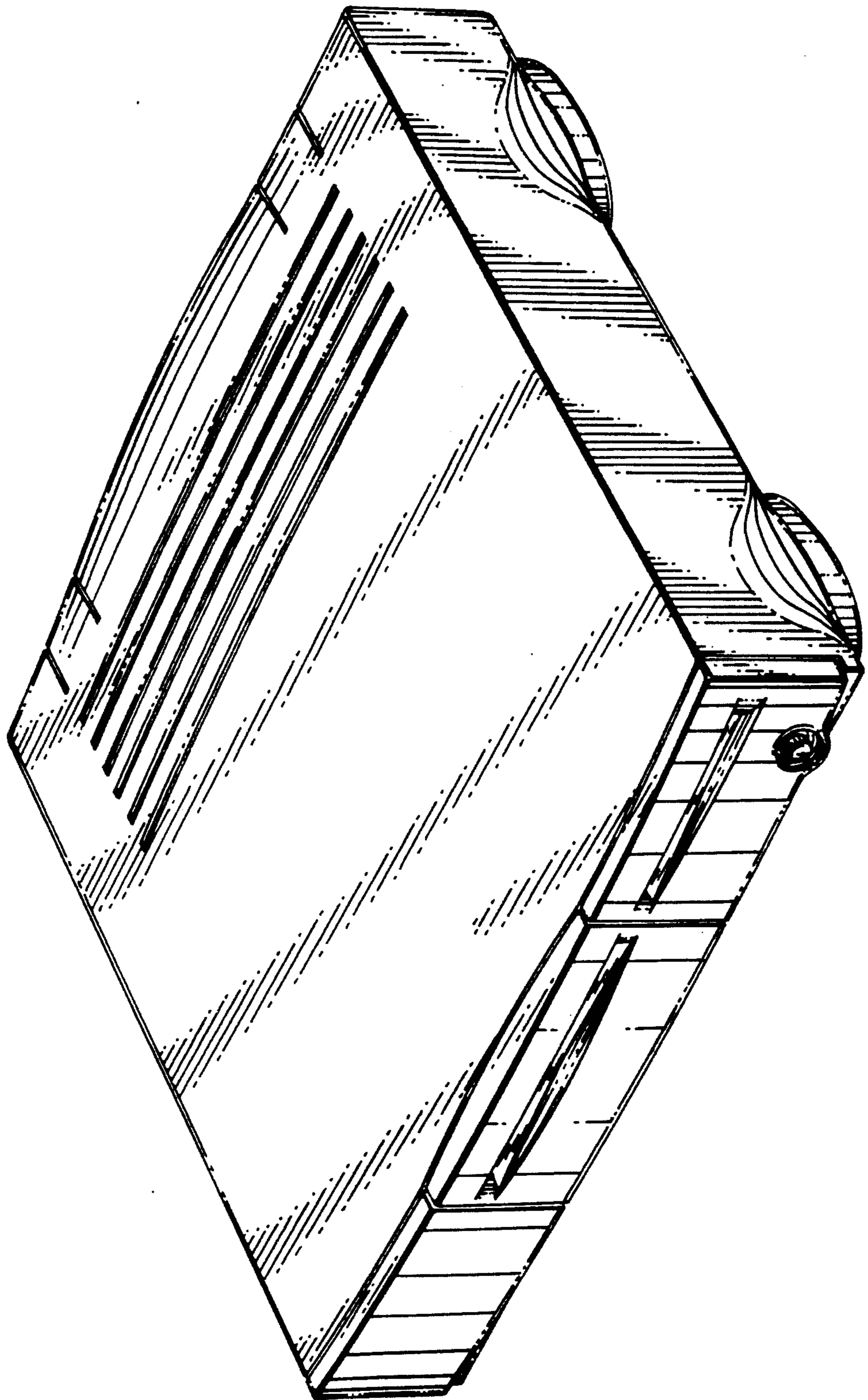


FIG. 8