



US00D347211S

United States Patent [19] Dickens

[11] Patent Number: **Des. 347,211**
[45] Date of Patent: **** May 24, 1994**

[54] ILLUMINATED INDICATOR WALL SWITCH

[75] Inventor: **James W. Dickens, Lexington, Ky.**

[73] Assignee: **Square D Company, Palatine, Ill.**

[**] Term: **14 Years**

[21] Appl. No.: **817,898**

[22] Filed: **Jan. 8, 1992**

[52] U.S. Cl. **D13/171**

[58] Field of Search 200/293, 297, 302.1,
200/310, 313, 315, 317, 339, 533, 553; 174/53;
D13/158, 169, 171, 173, 174

[56] References Cited

U.S. PATENT DOCUMENTS

D. 270,440	9/1983	Hunter	D13/174
3,059,045	10/1962	Swartwood	174/53
4,135,073	1/1979	Kobayashi	200/313 X
4,482,791	11/1984	Rendgen	200/302.1 X
4,532,393	7/1985	Koizumi et al.	200/317 X
4,904,833	2/1990	Sato et al.	200/553 X

OTHER PUBLICATIONS

Paragon Touch Command switch on p. 115 of Hardware Age Mar. 1985.

ITW pushbutton switches on p. 188c of Design News Apr. 6, 1987.

Wall switches on p. 139 of Interstate catalog ©1989.

MP Series pushbutton switches on p. 573 of Allied Electronics catalog ©1990.

Primary Examiner—Wallace R. Burke

Assistant Examiner—J. Sincavage

Attorney, Agent, or Firm—Larry I. Golden; Kareem M. Irfan

[57] CLAIM

The ornamental design for an illuminated indicator wall switch, as shown and described.

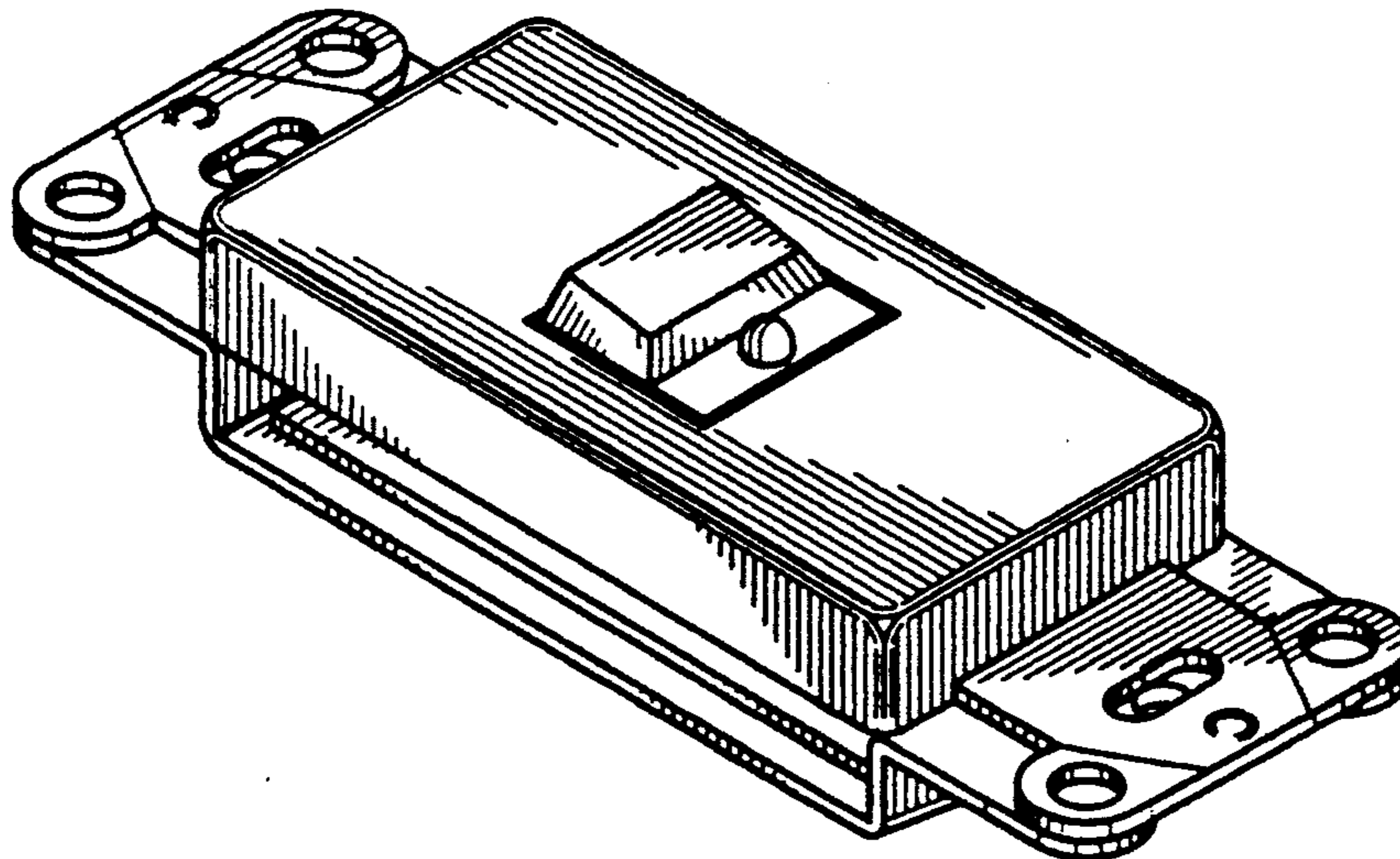
DESCRIPTION

FIG. 1 is a top right and front perspective view of an illuminated indicator wall switch showing my new design;

FIG. 2 is a rear elevational view thereof, the front elevational view thereof being a mirror image;

FIG. 3 is a left elevational view thereof; and,

FIG. 4 is a bottom plan view thereof.



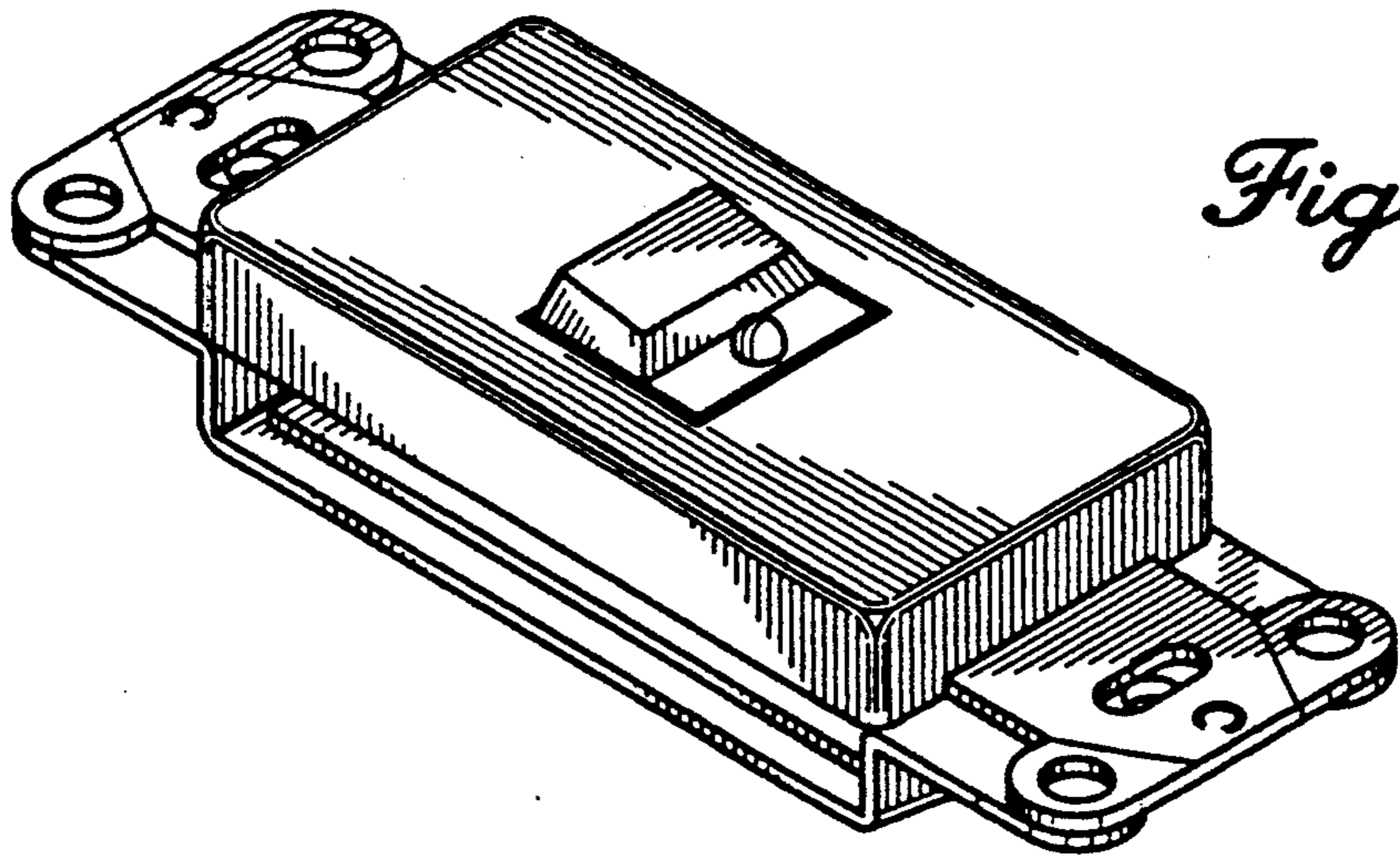


Fig. 1

Fig. 2

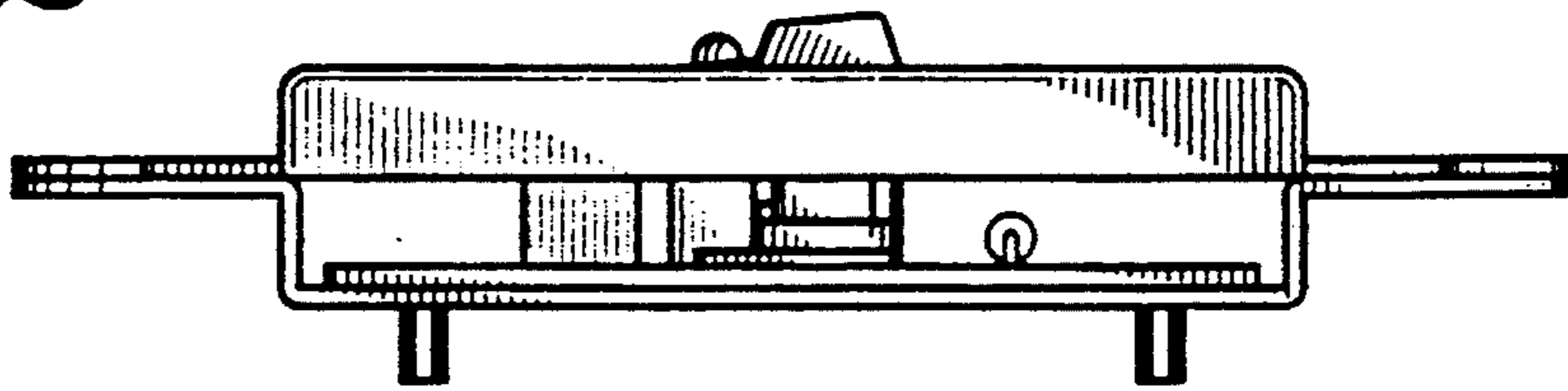


Fig. 3

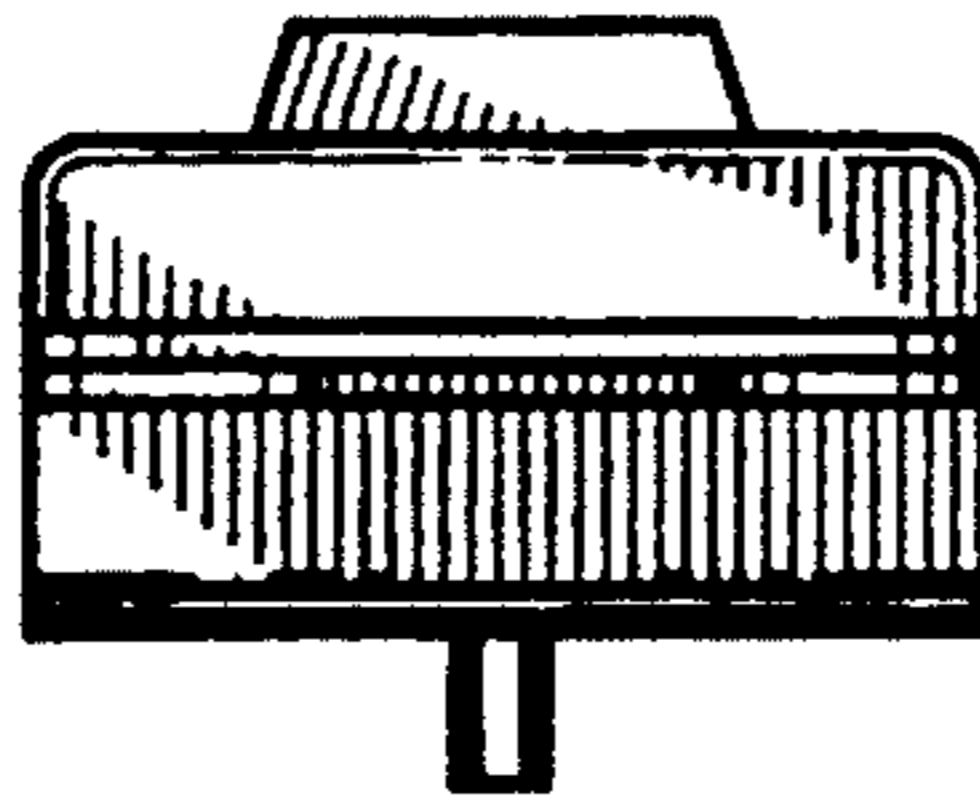


Fig. 4

