



US00D347210S

United States Patent [19] Sharpe

[11] Patent Number: Des. 347,210

[45] Date of Patent: ** May 24, 1994

[54] ENCLOSURE FOR ELECTRICAL EQUIPMENT

[75] Inventor: James M. Sharpe, Canton, Mass.

[73] Assignee: Extrusion Technology, Inc.,
Randolph, Mass.

[**] Term: 14 Years

[21] Appl. No.: 840,708

[22] Filed: Feb. 24, 1992

Related U.S. Application Data

[63] Continuation-in-part of Ser. No. 687,292, Apr. 18, 1991.

[52] U.S. Cl. D13/162; D13/164

[58] Field of Search 235/145; 200/1 R, 5 R;
D13/162, 164, 184; D14/217, 218, 240;
D10/106

[56] References Cited

U.S. PATENT DOCUMENTS

D. 244,215	5/1977	Ross	D14/217
D. 272,434	1/1984	Thornton et al.	D13/164
D. 273,487	4/1984	Rosenbaum et al.	D13/164
D. 282,463	2/1986	Barr et al.	D10/106 X
D. 289,486	4/1987	Aldrich et al.	D14/240
D. 313,997	1/1991	Ito et al.	D14/218
D. 332,443	1/1993	Sharpe	D13/184
4,281,330	7/1981	Warrick	D13/164 X

OTHER PUBLICATIONS

Mini controller on p. 33 of *Great Presentations*, 1987.
PacTec electronic enclosure kits on p. 66 of *Allied Electronic catalog*, ©1990.

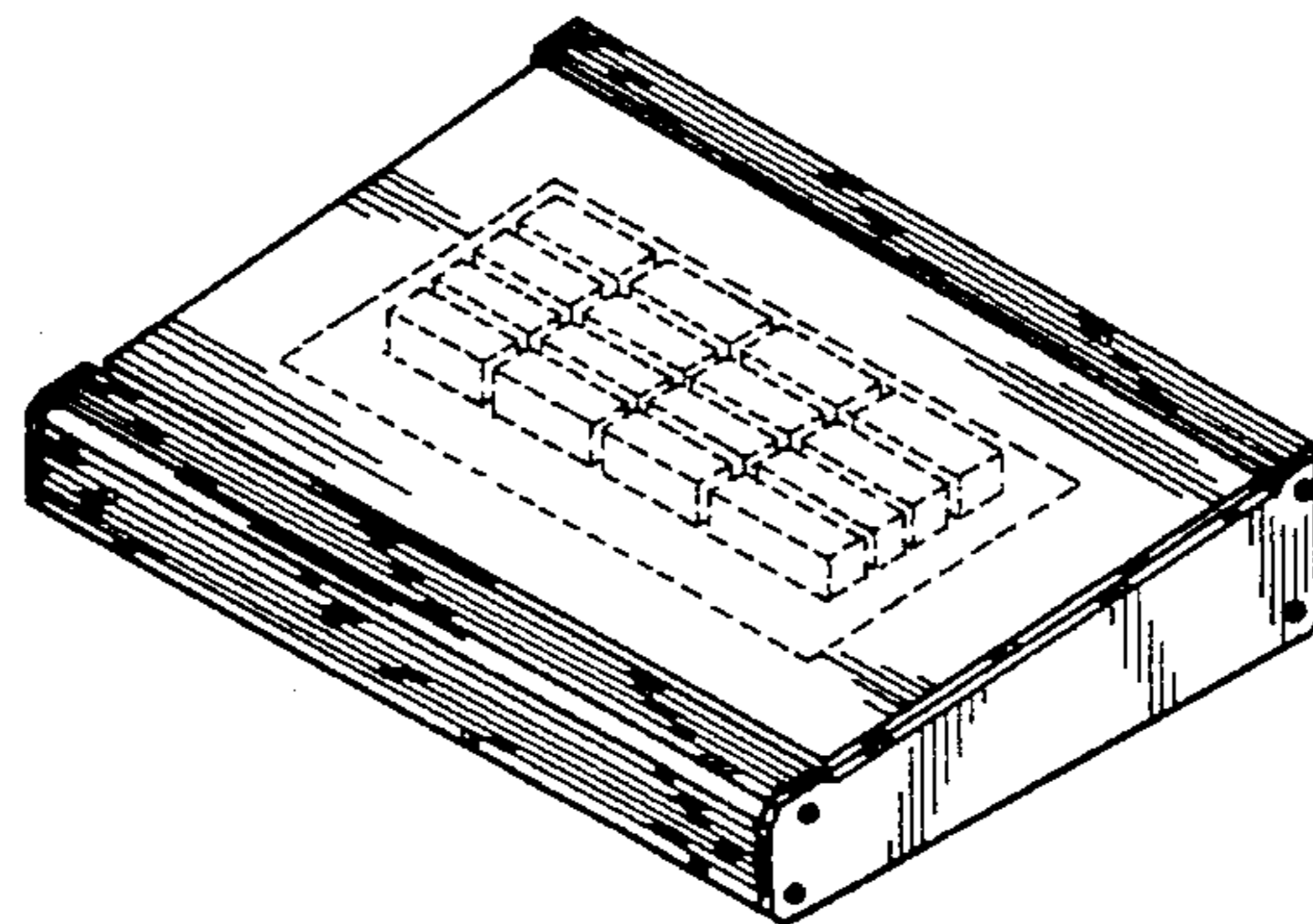
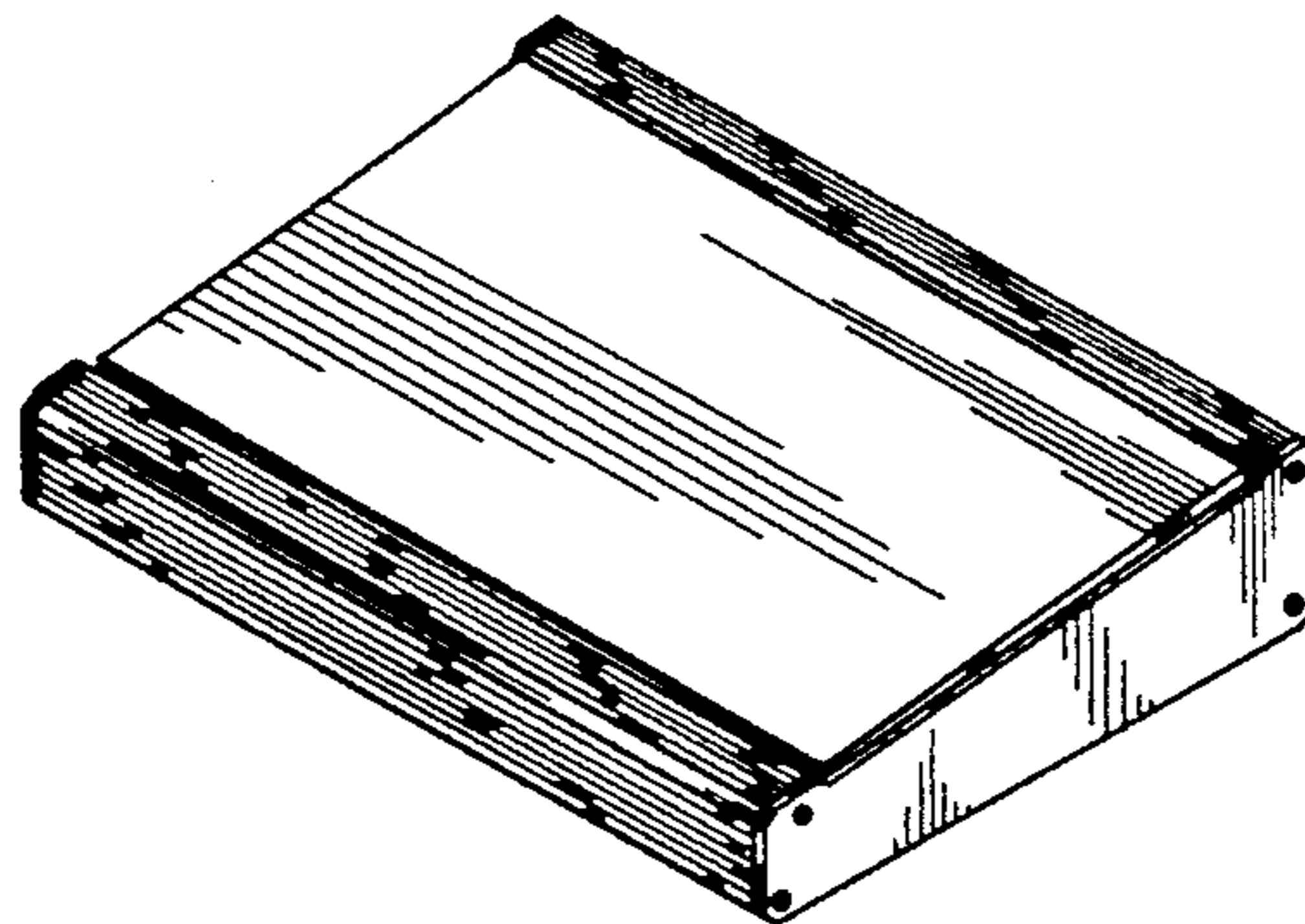
Primary Examiner—Wallace R. Burke
Assistant Examiner—Joel Sincavage
Attorney, Agent, or Firm—Richard P. Crowley

[57] CLAIM

The ornamental design for enclosures for electrical equipment, as shown and described.

DESCRIPTION

FIG. 1 is a perspective view from above of an enclosure for electrical equipment showing my new design; FIG. 2 is a front elevation view of the enclosure for electrical equipment of FIG. 1; FIG. 3 is a top plan view of the enclosure for electrical equipment of FIG. 1; FIG. 4 is a bottom plan view of the enclosure for electrical equipment of FIG. 1; FIG. 5 is a side elevational view of one side of the enclosure for electrical equipment of FIG. 1, the other side being a mirror image; FIG. 6 is a back elevational view of the enclosure for electrical equipment of FIG. 1; FIG. 7 is a perspective view from above of the enclosure for electrical equipment of FIG. 1 shown with a keypad inserted in the front, top cover. The broken line showing is included for the purpose of illustrating environmental elements only and forms no part of the claimed design; and, FIG. 8 is a perspective view from the rear and below of the enclosure for electrical equipment of FIG. 1.



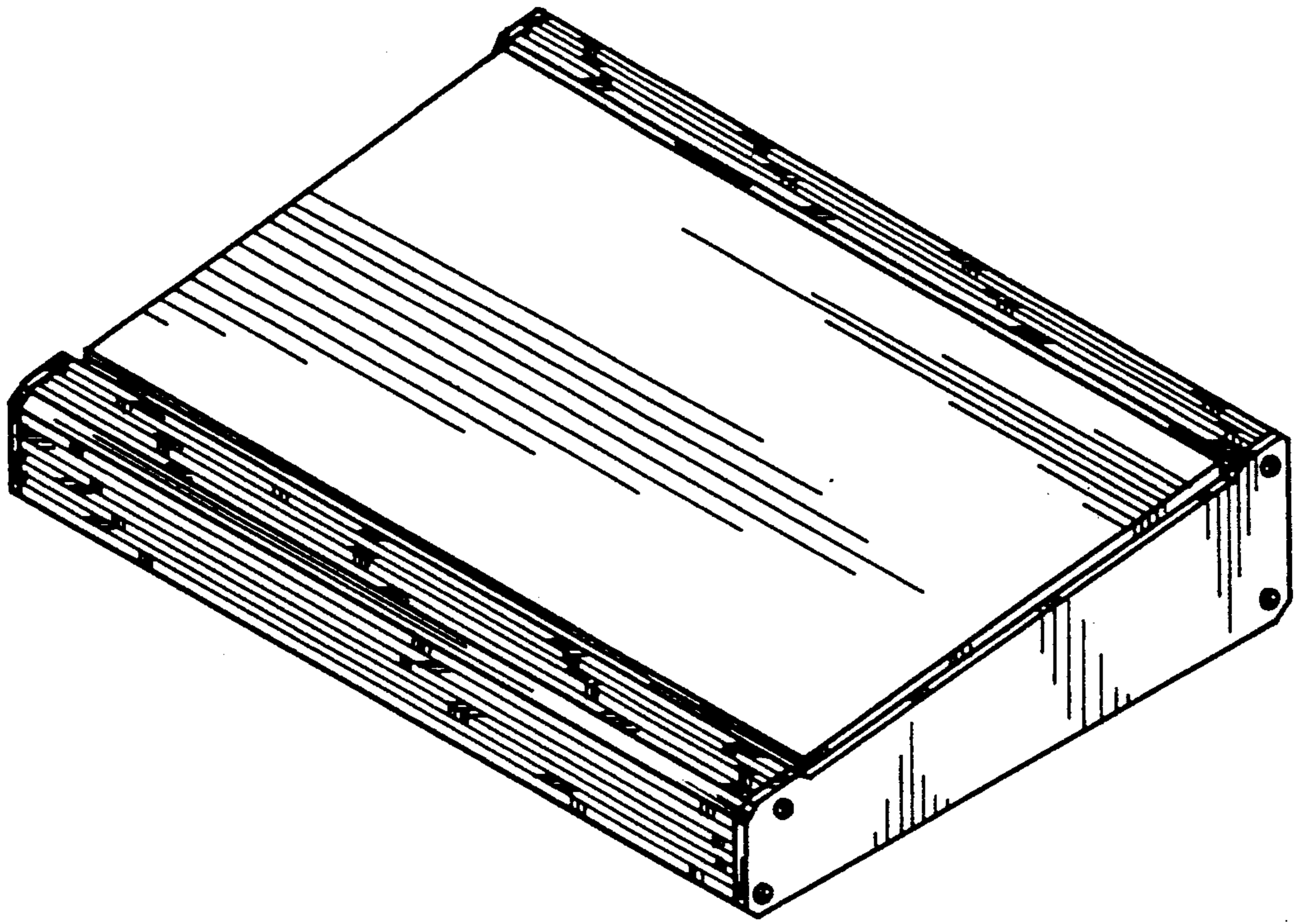


FIG. 1

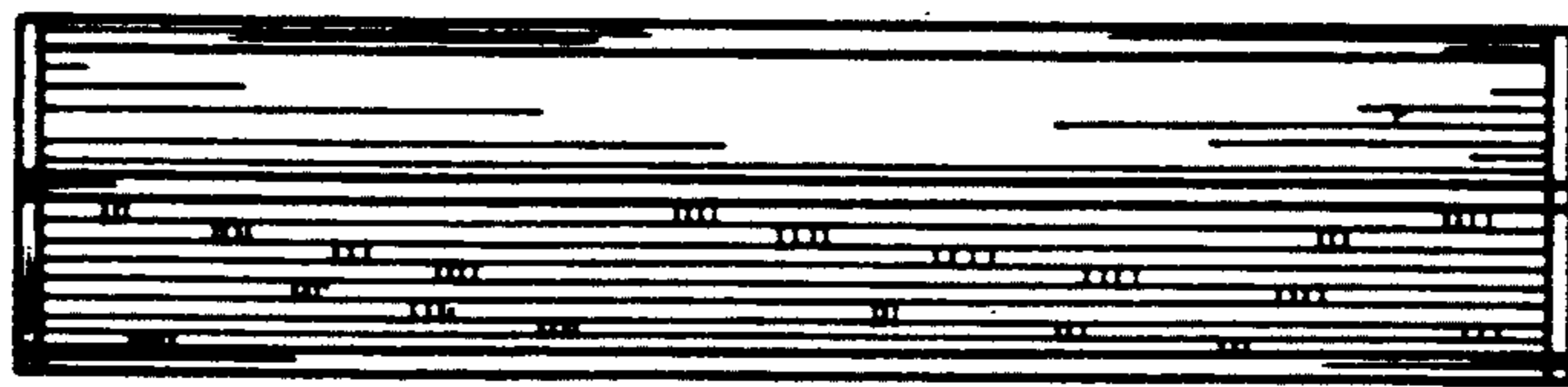


FIG. 2

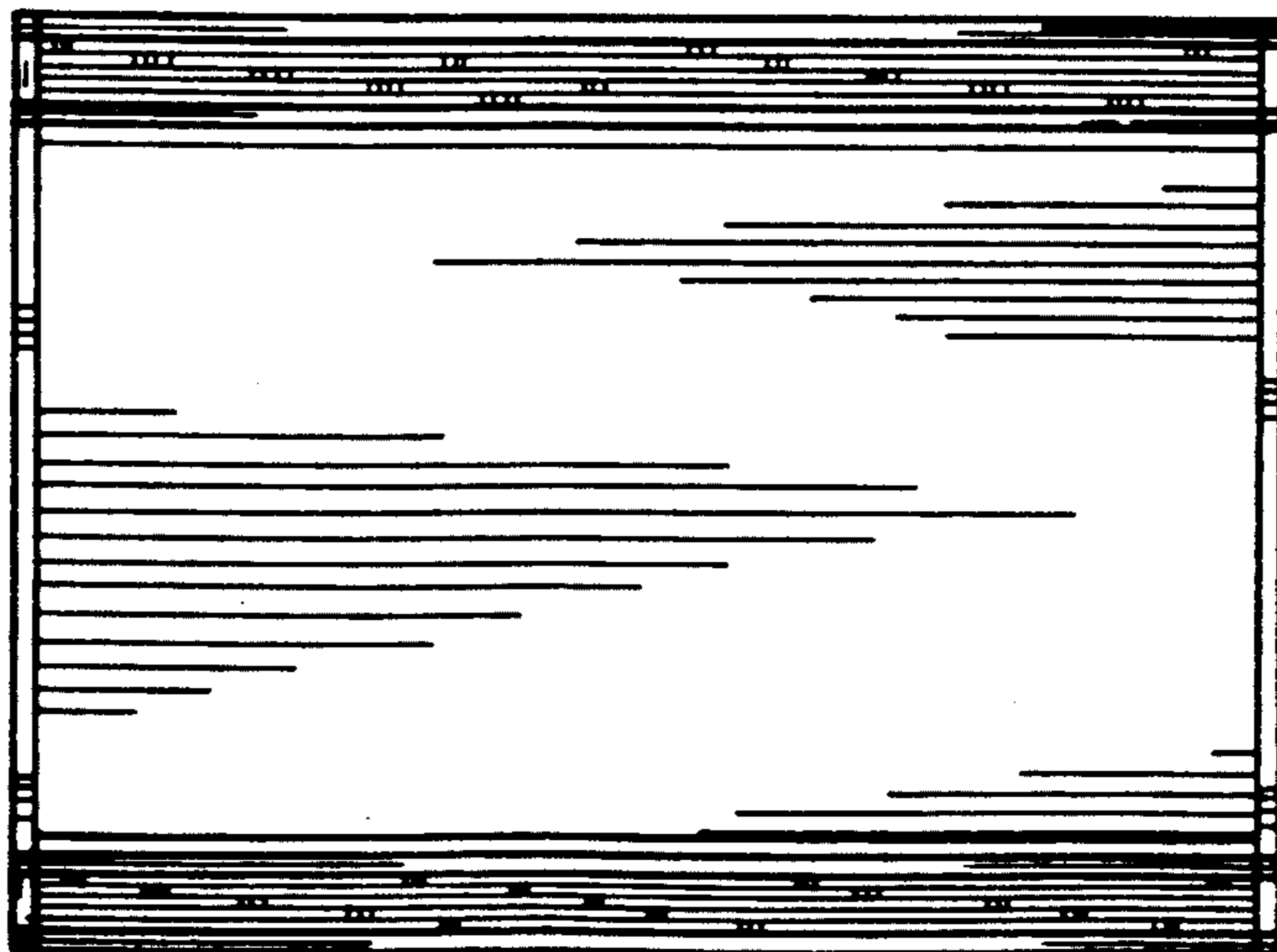


FIG. 3

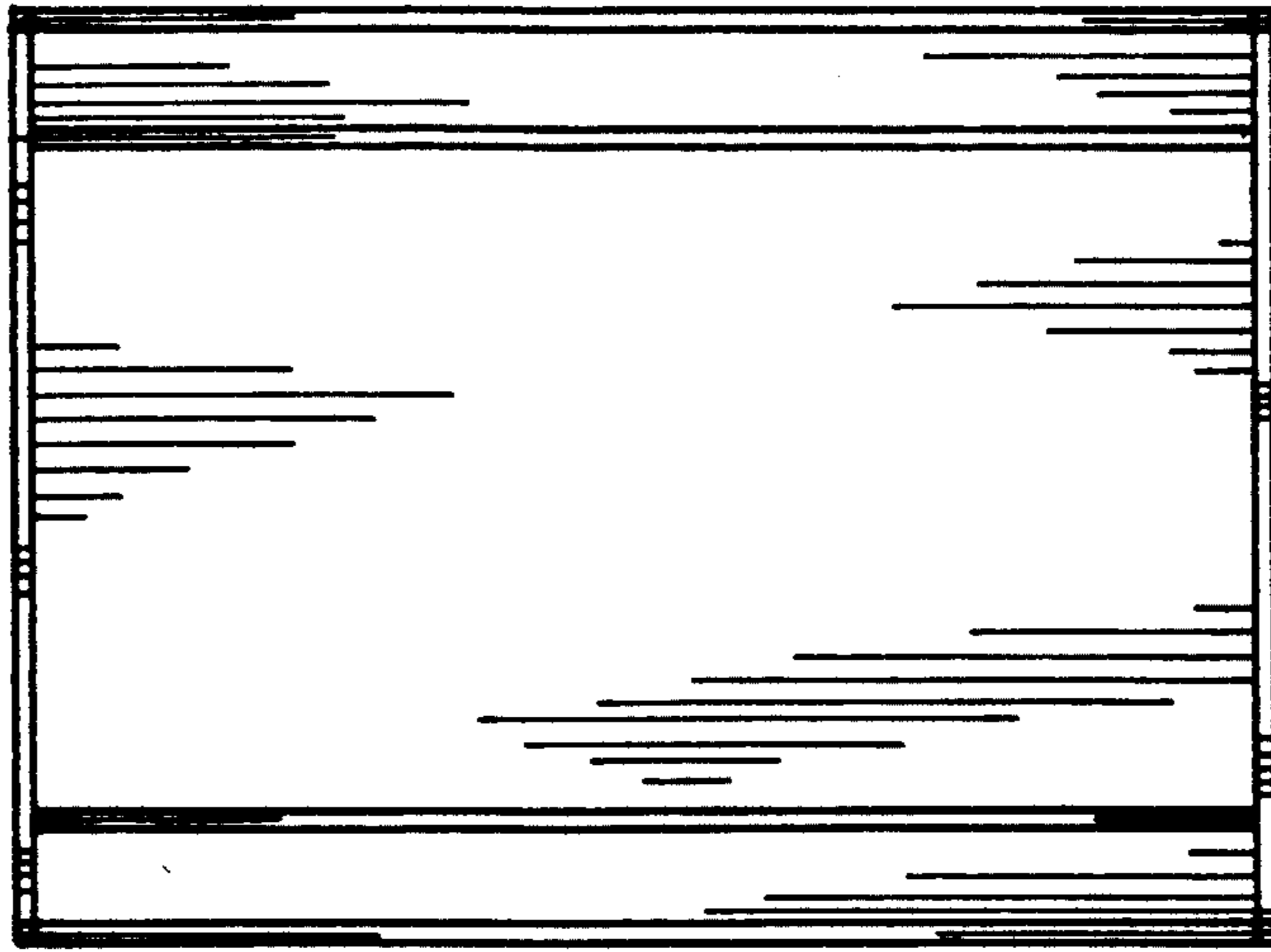


FIG. 4

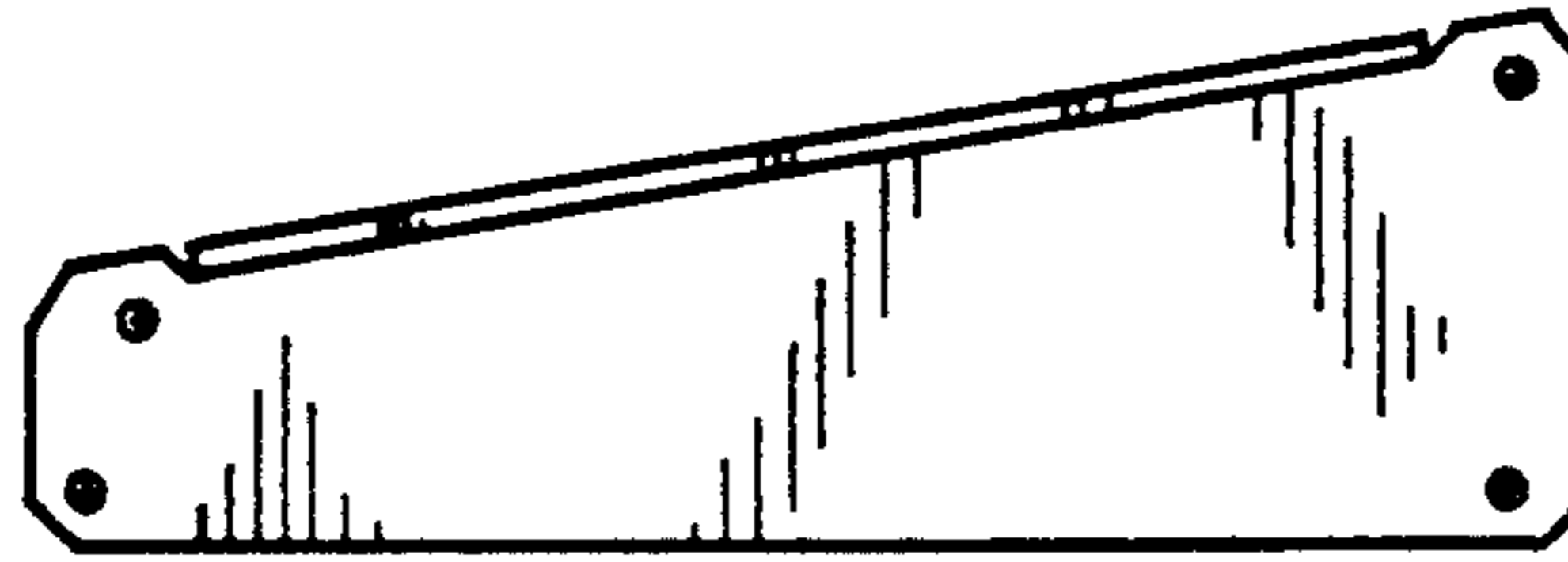


FIG. 5

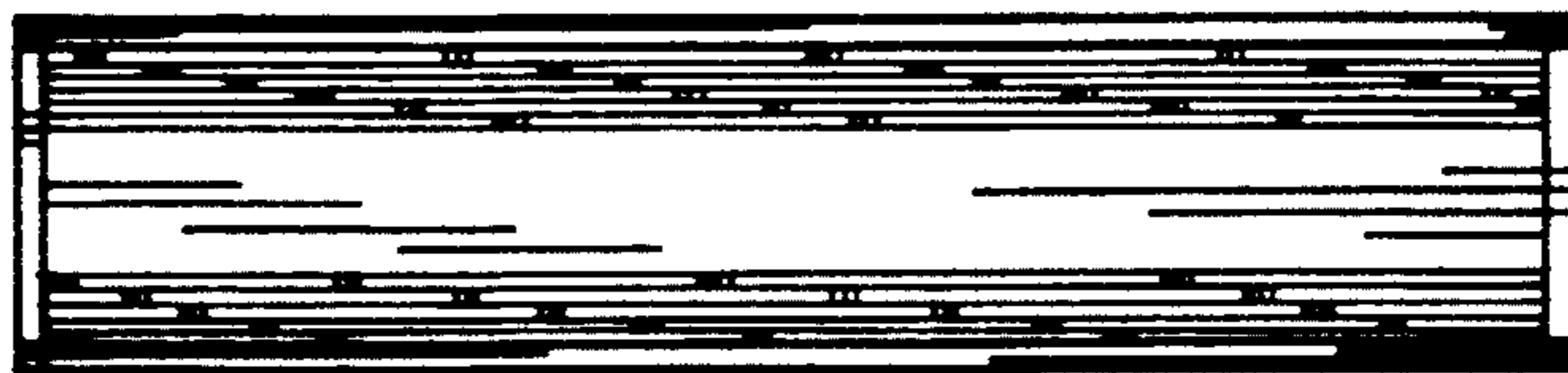


FIG. 6

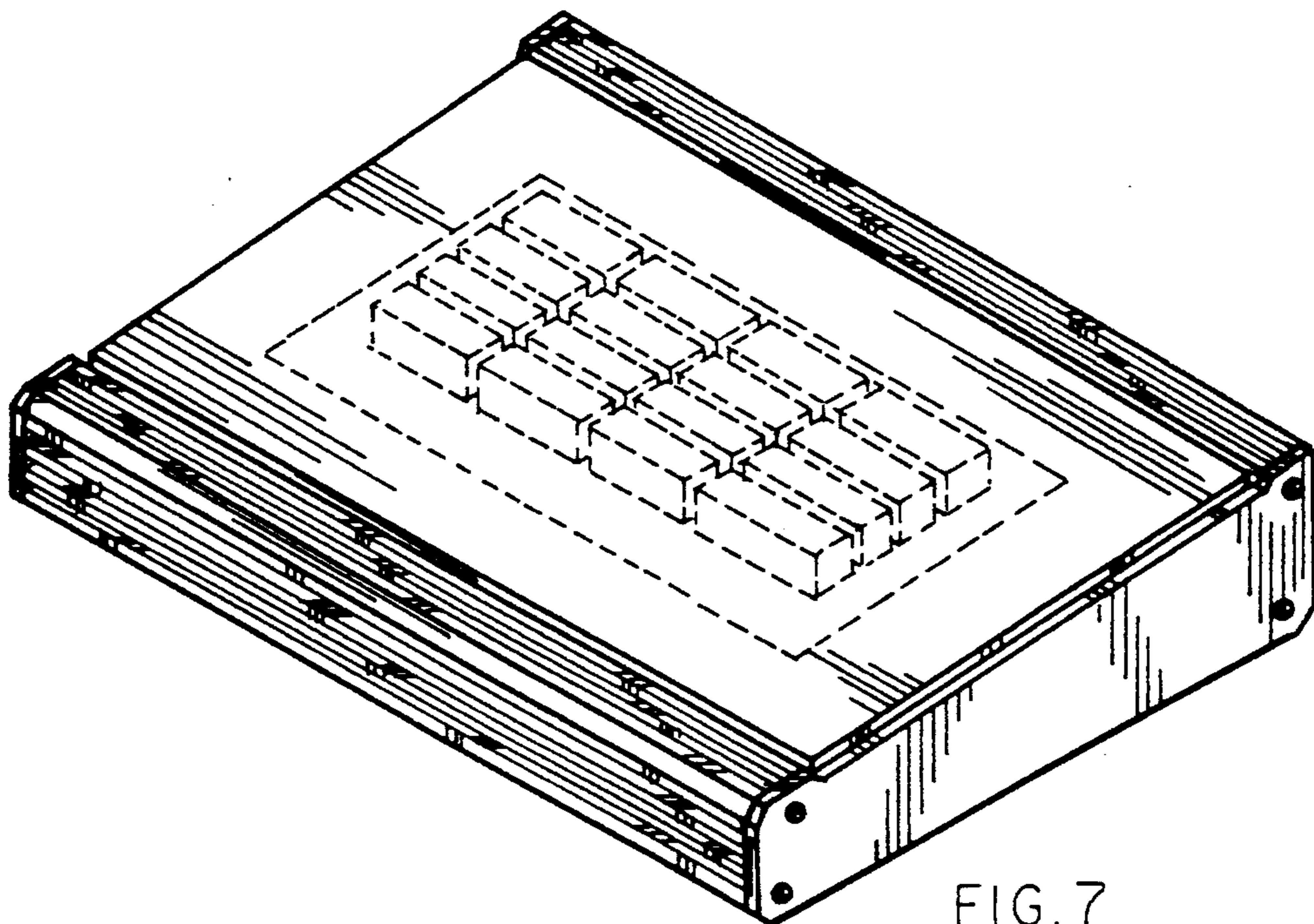


FIG. 7

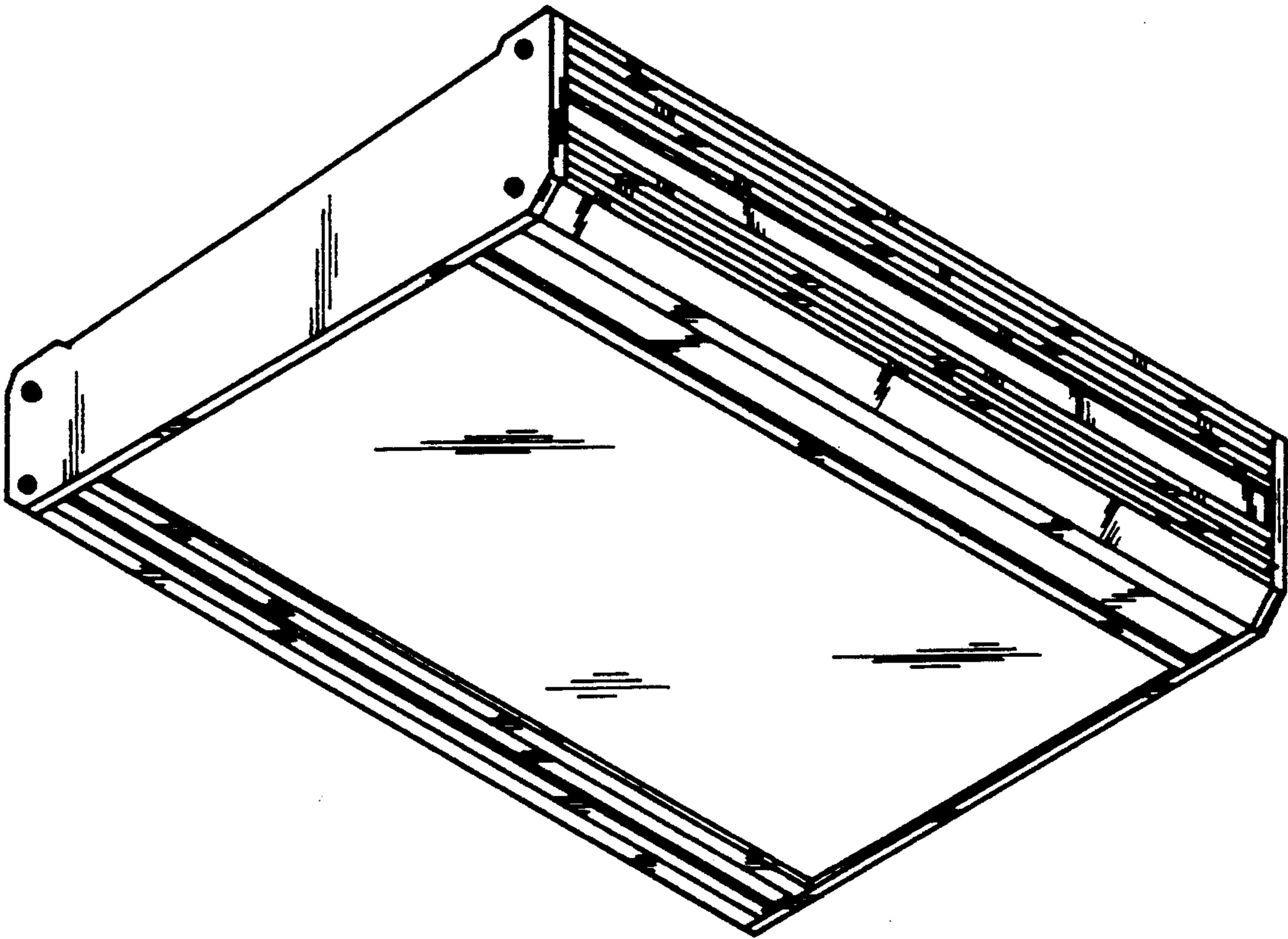


FIG. 8