



US00D347206S

United States Patent [19] Smith

[11] Patent Number: **Des. 347,206**

[45] Date of Patent: **** May 24, 1994**

[54] **ANCHOR (BOWER AND MOORING)**

[75] Inventor: **Richard H. Smith, Aberdeenshire, Scotland**

[73] Assignee: **Glynwed Engineering, Ltd., Birmingham, England**

[**] Term: **14 Years**

[21] Appl. No.: **821,115**

[22] Filed: **Jan. 15, 1992**

[30] **Foreign Application Priority Data**

Jul. 15, 1991 [GB] United Kingdom 2015981
[52] U.S. Cl. **D12/215**
[58] Field of Search 114/294, 301; D12/215

[56] **References Cited**

U.S. PATENT DOCUMENTS
4,706,595 11/1987 Van Den Haak 114/294
4,802,434 2/1989 Bruce 114/294

FOREIGN PATENT DOCUMENTS

0196801 8/1986 European Pat. Off. .

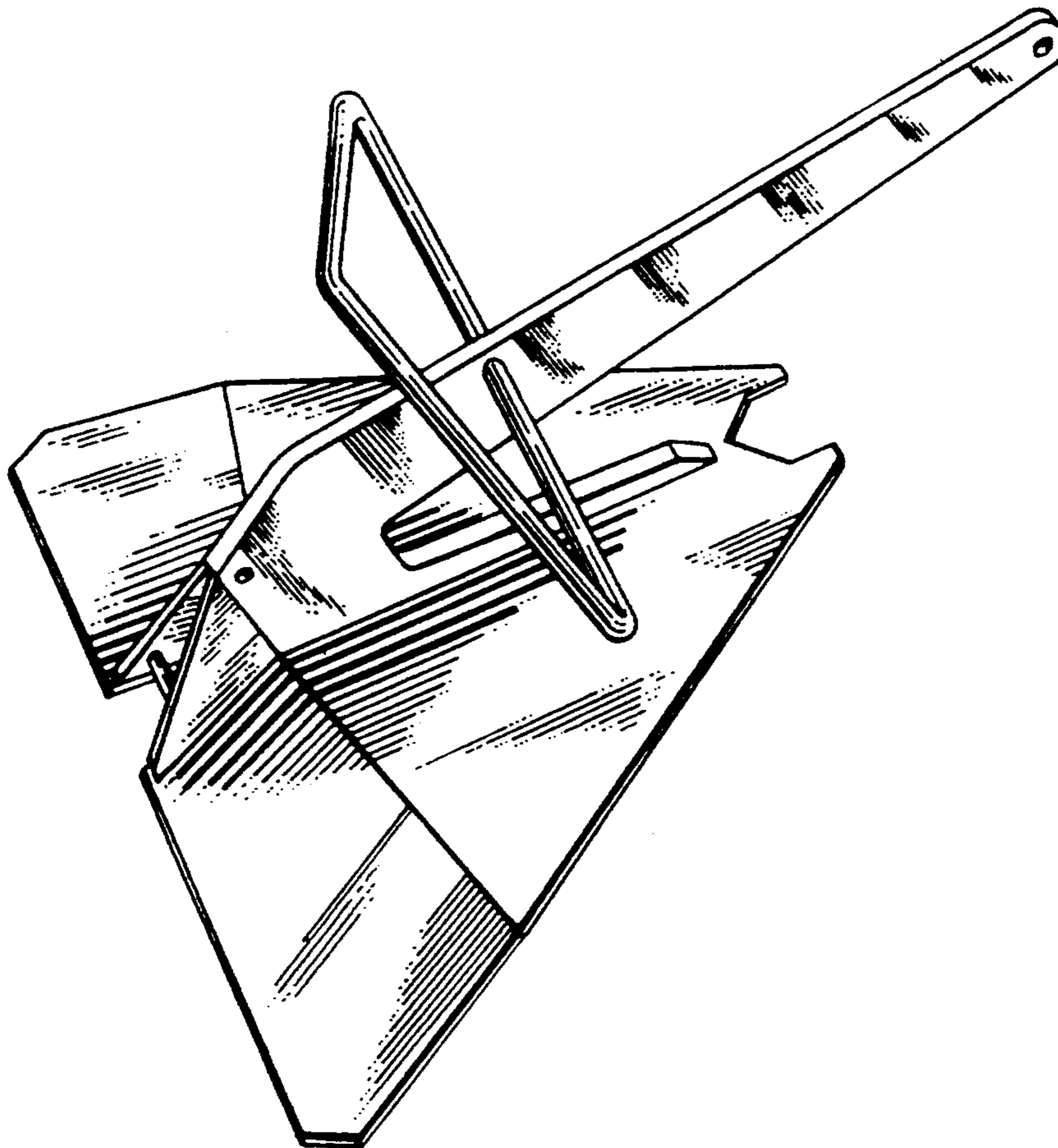
Primary Examiner—Kay H. Chin
Attorney, Agent, or Firm—Spensley Horn Jubas & Lubitz

[57] **CLAIM**

The ornamental design for an anchor (bower and mooring), as shown.

DESCRIPTION

FIG. 1 is a top plan view of an anchor (bower and mooring) showing my new design;
FIG. 2 is a bottom plan view thereof;
FIG. 3 is a section thereof on line 3—3 of FIG. 1;
FIG. 4 is a right side elevation thereof, the opposite, left, side elevation being mirror symmetrical to that shown;
FIG. 5 is a front elevation thereof;
FIG. 6 is a rear elevation thereof; and,
FIG. 7 is a perspective view from a point above, at the right side and to the rear thereof.



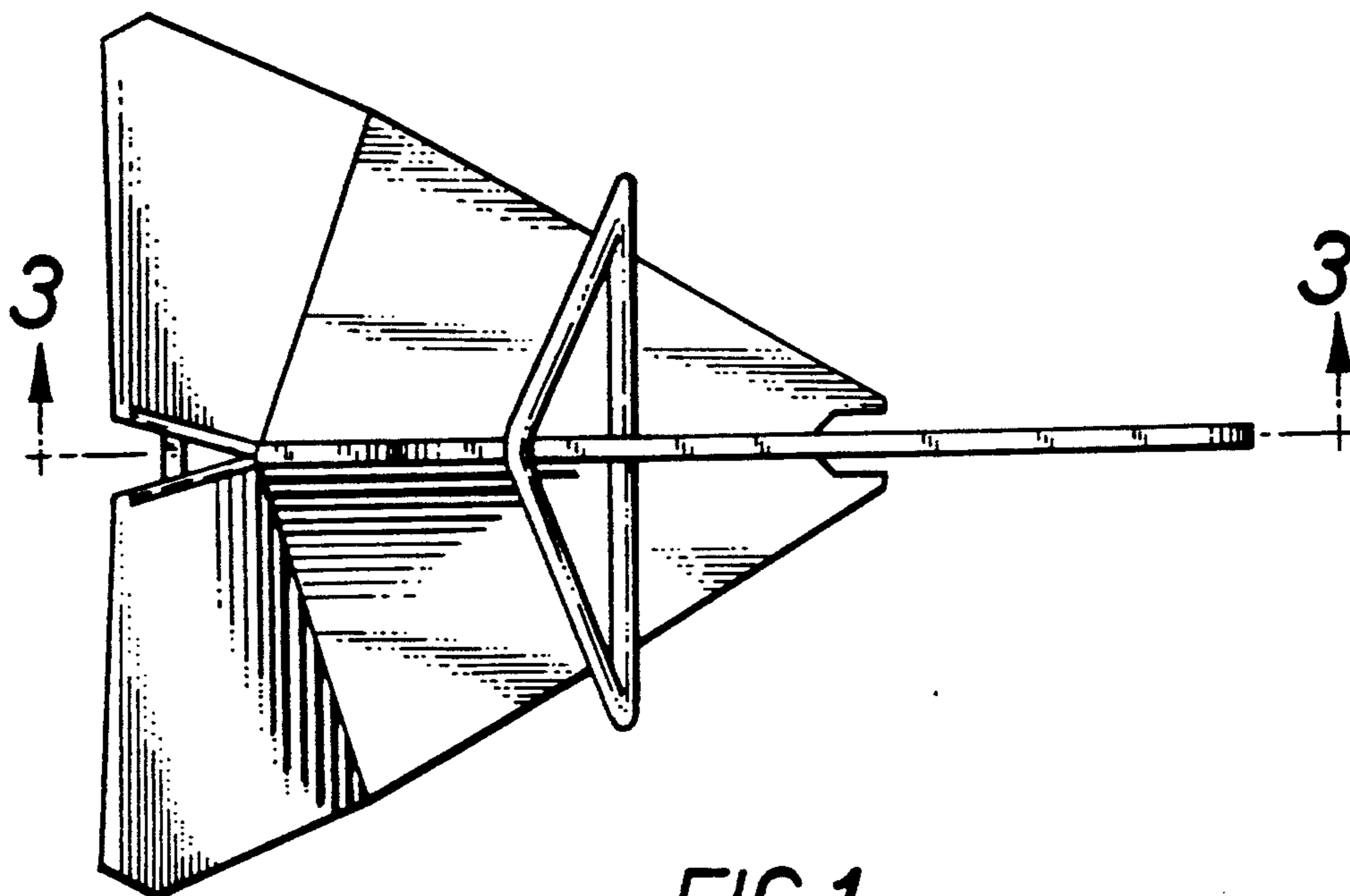


FIG. 1.

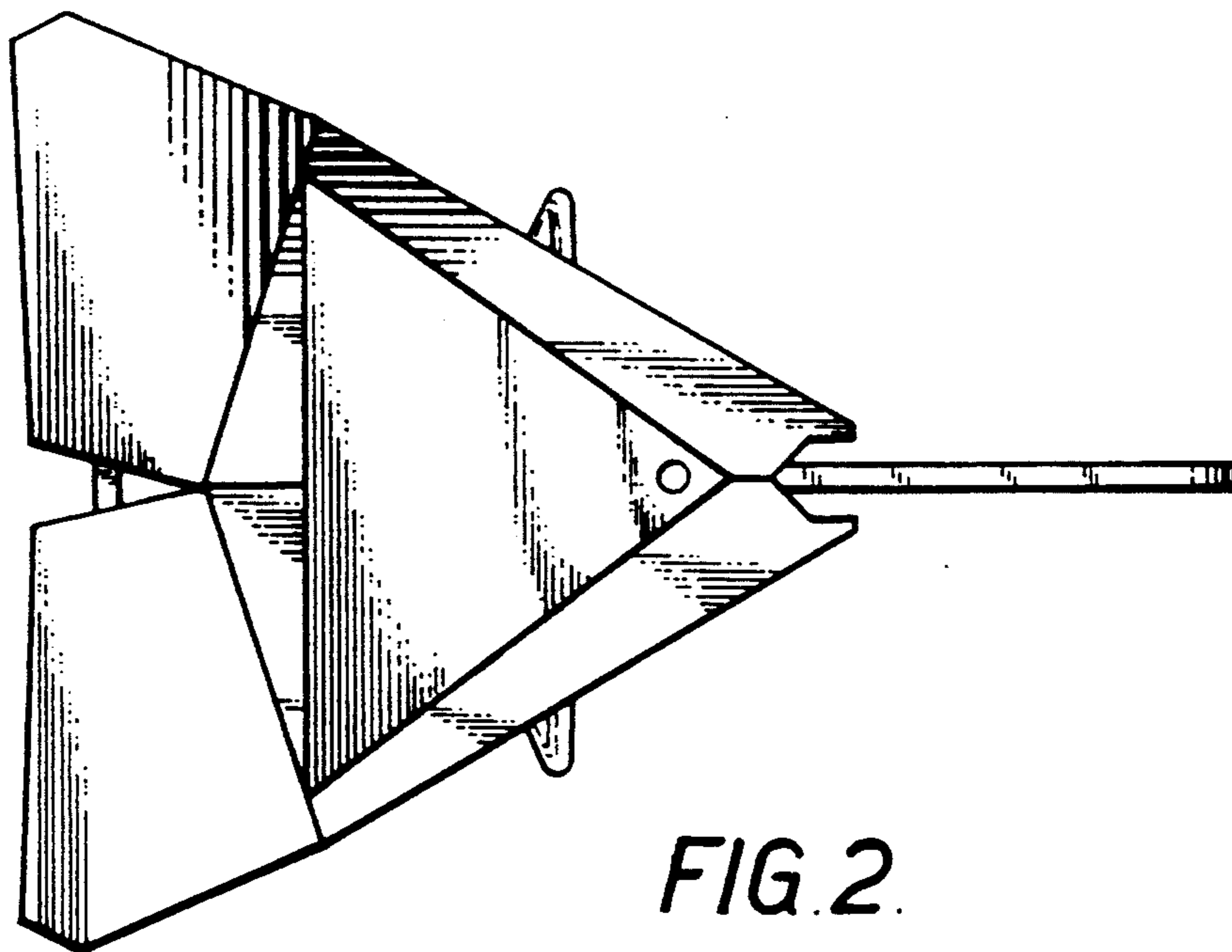


FIG. 2.

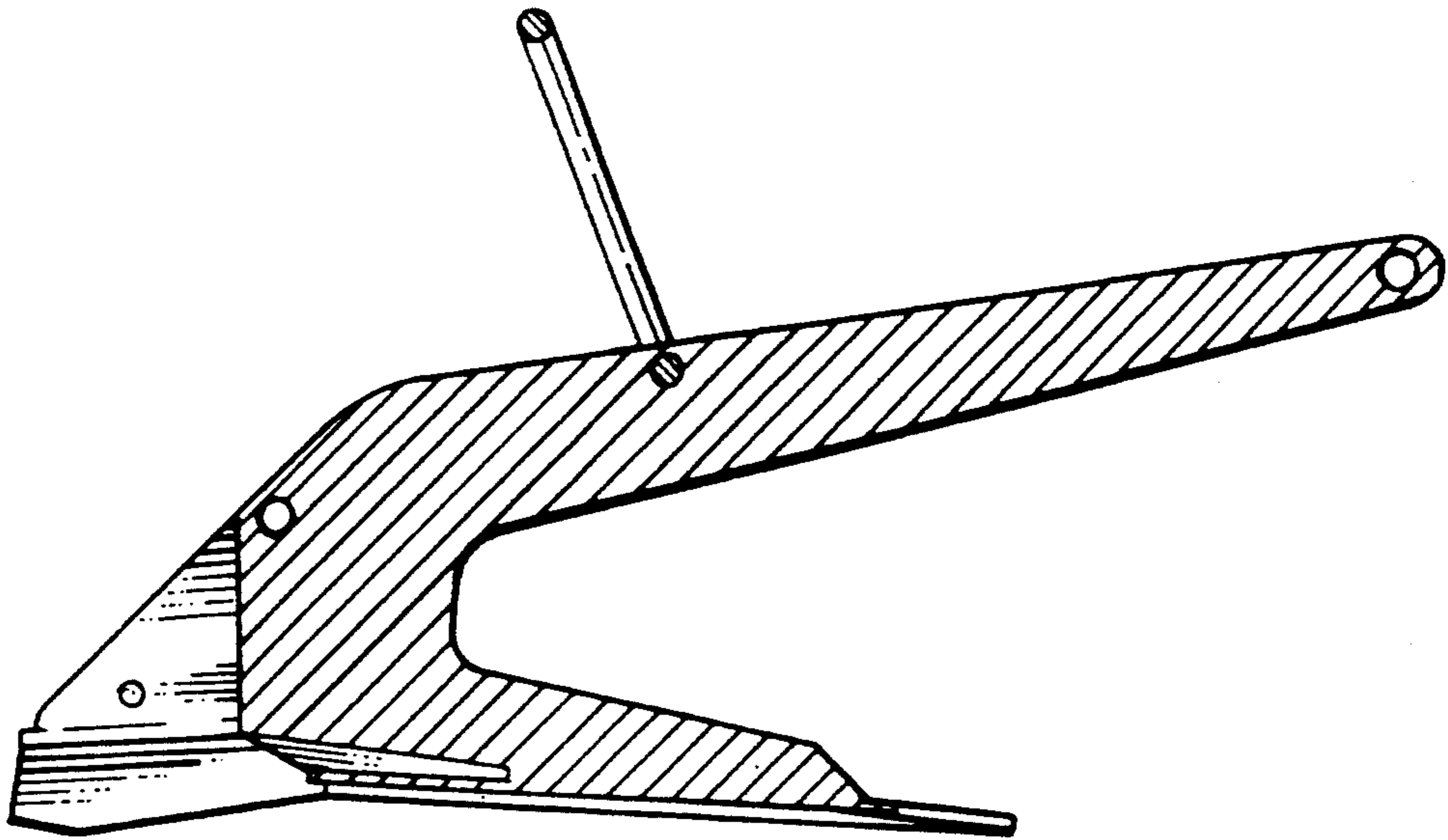


FIG. 3.

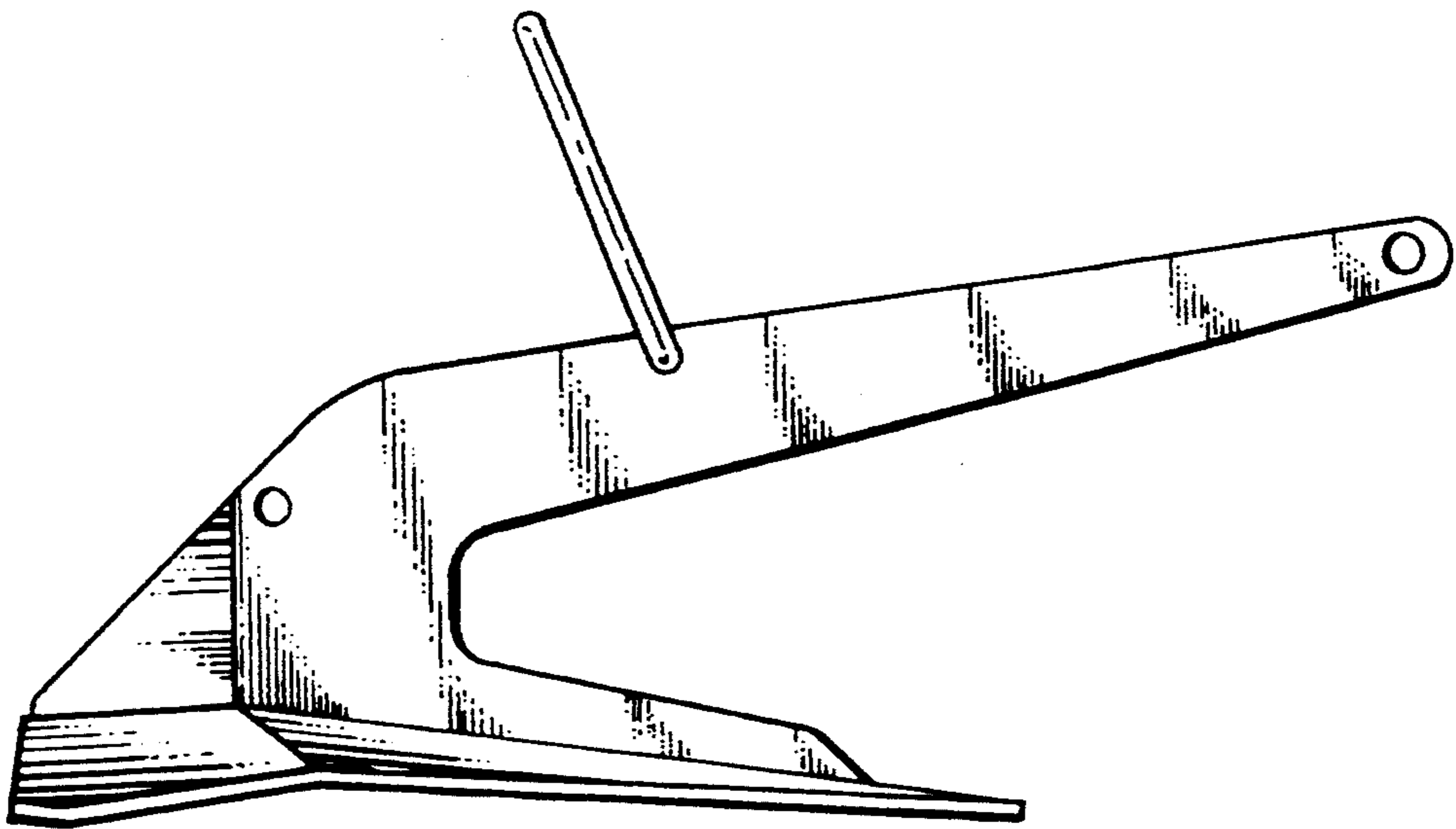


FIG. 4.

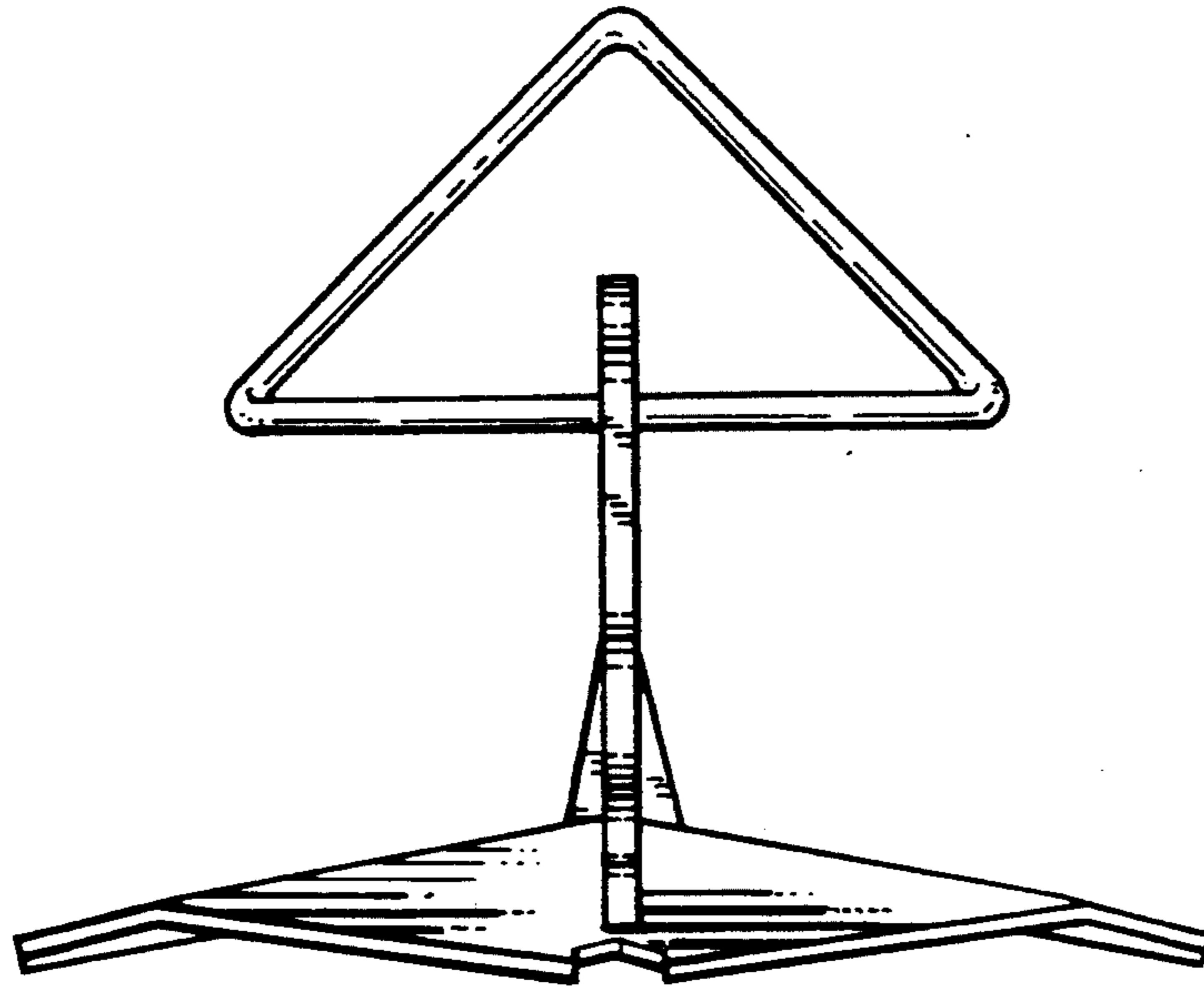


FIG. 5.

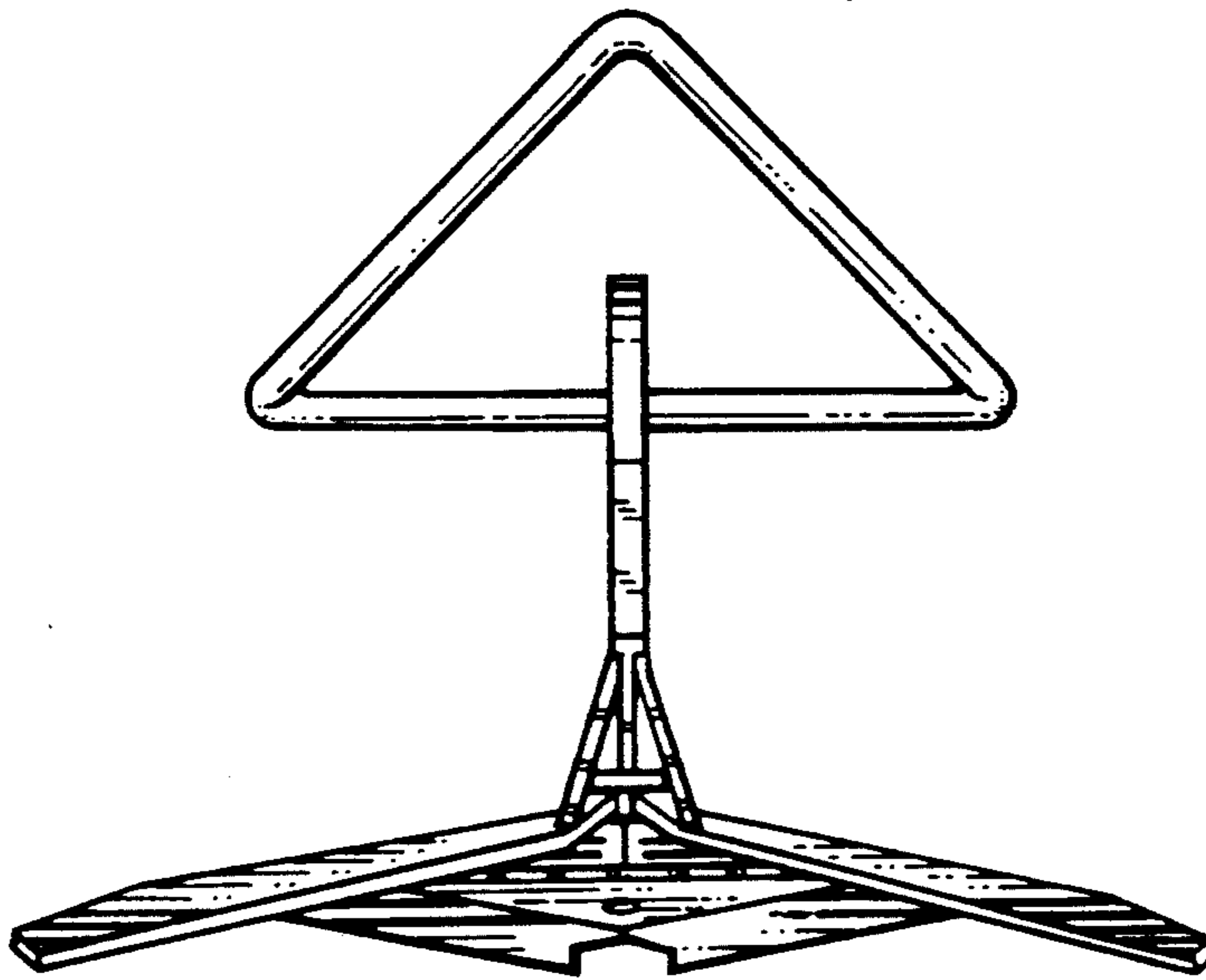


FIG. 6.

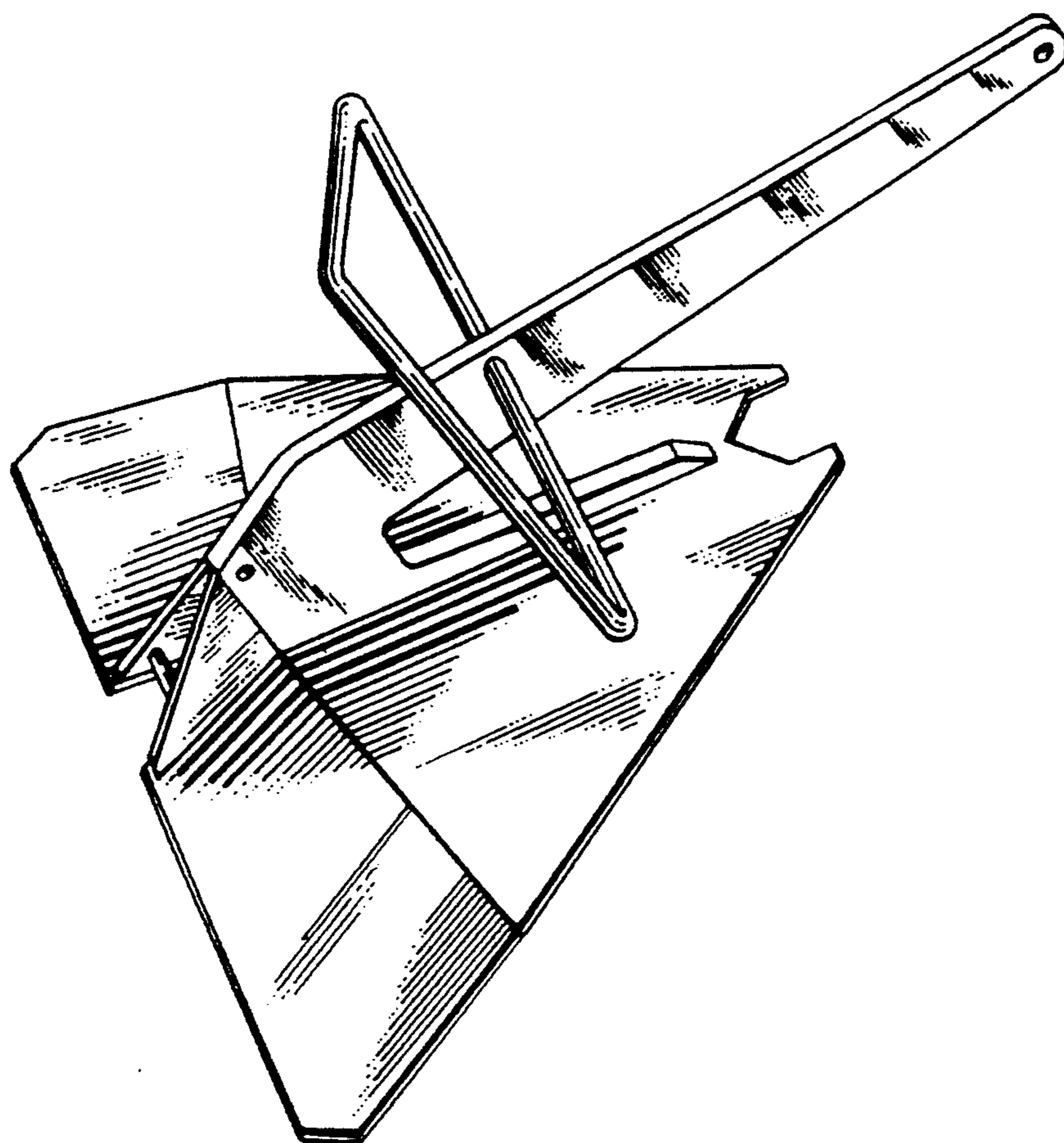


FIG. 7.