



US00D347202S

United States Patent [19]

[11] Patent Number: **Des. 347,202**

Tsun

[45] Date of Patent: **** May 24, 1994**

[54] BICYCLE

[76] Inventor: **Lin Y. Tsun**, No. 160, Sec. 1, Chang Hsi Road, Tainan, Taiwan

[**] Term: **14 Years**

[21] Appl. No.: **850**

[22] Filed: **Oct. 26, 1992**

[52] U.S. Cl. **D12/108**

[58] Field of Search 280/1.13, 1.202, 1.204;
D12/108; D21/247, 250, 73, 74, 76, 83, 148,
155, 157

[56] **References Cited**

U.S. PATENT DOCUMENTS

D. 227,492 6/1973 Wood D21/76
D. 235,051 5/1975 Williams D12/108

D. 244,047 4/1977 Daverin et al. D21/74
D. 273,774 5/1984 Levy et al D12/112
D. 332,434 1/1993 Tsun D12/108

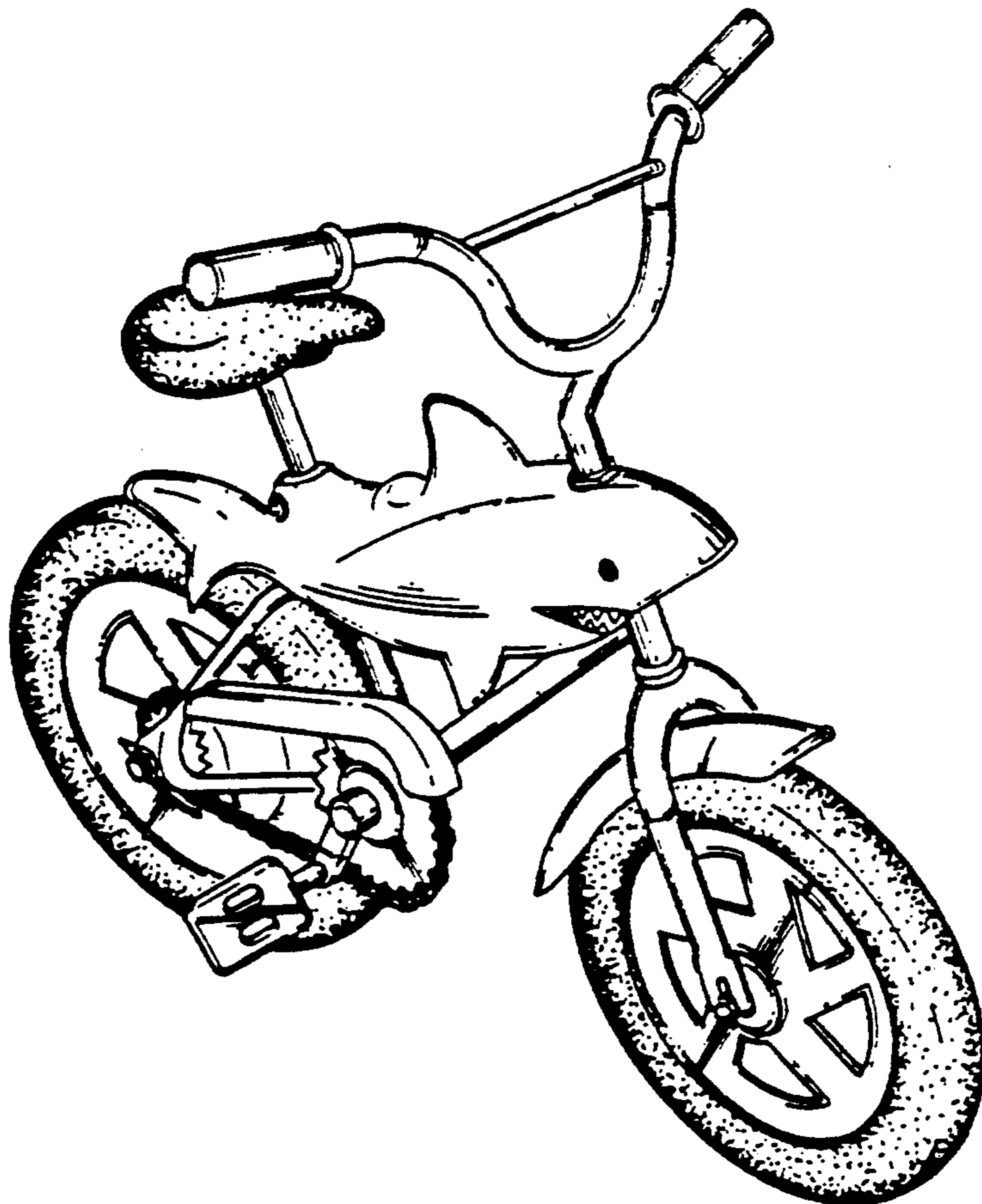
Primary Examiner—Wallace R. Burke
Attorney, Agent, or Firm—Pro-Techtor International

[57] **CLAIM**

The ornamental design for a bicycle, as shown.

DESCRIPTION

FIG. 1 is a perspective view of a bicycle showing my new design;
FIG. 2 is a front elevational view thereof;
FIG. 3 is a rear elevational view thereof;
FIG. 4 is a left side elevational view thereof;
FIG. 5 is a right side elevational view thereof;
FIG. 6 is a top plan view thereof; and,
FIG. 7 is a bottom plan view.



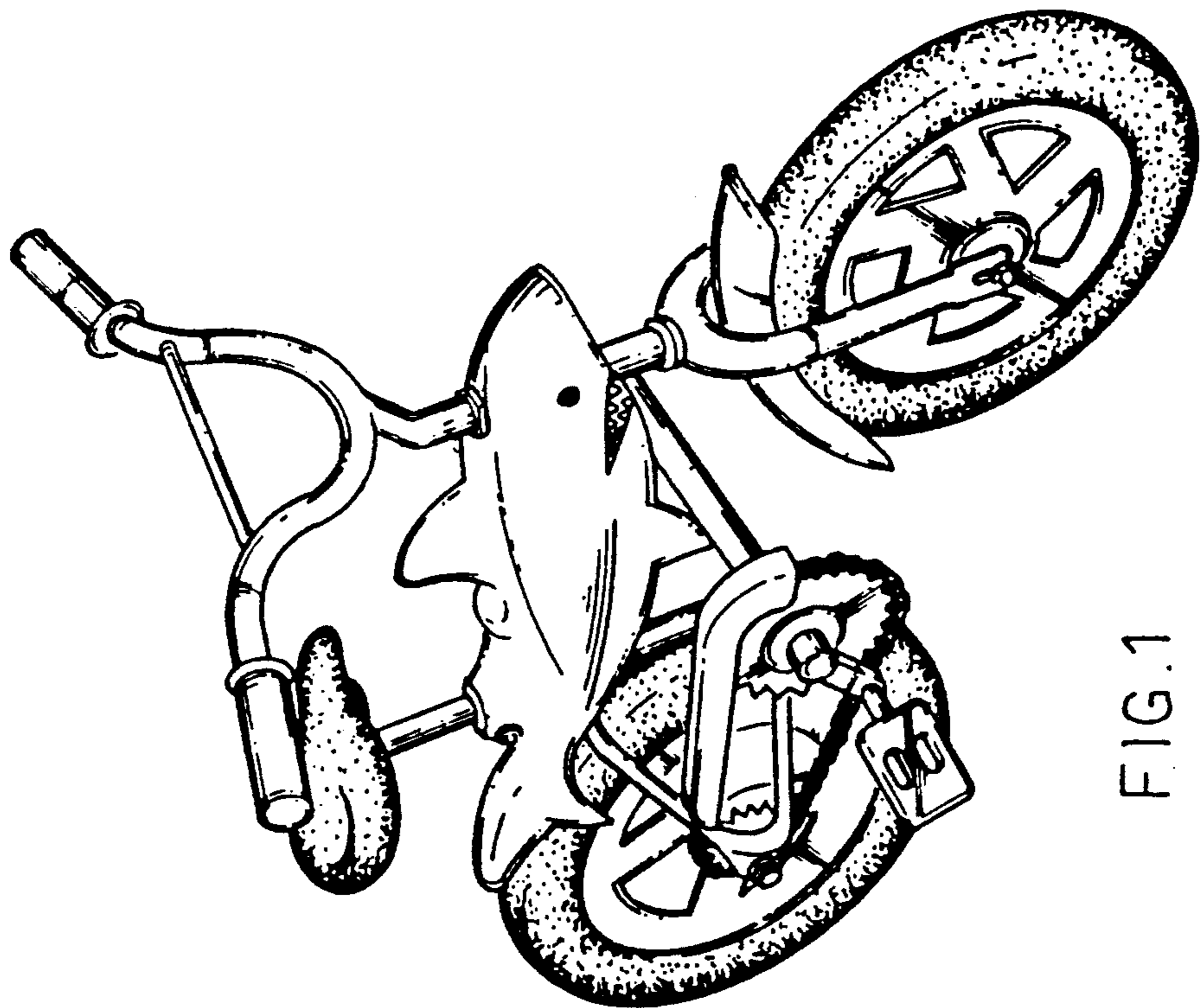


FIG.1

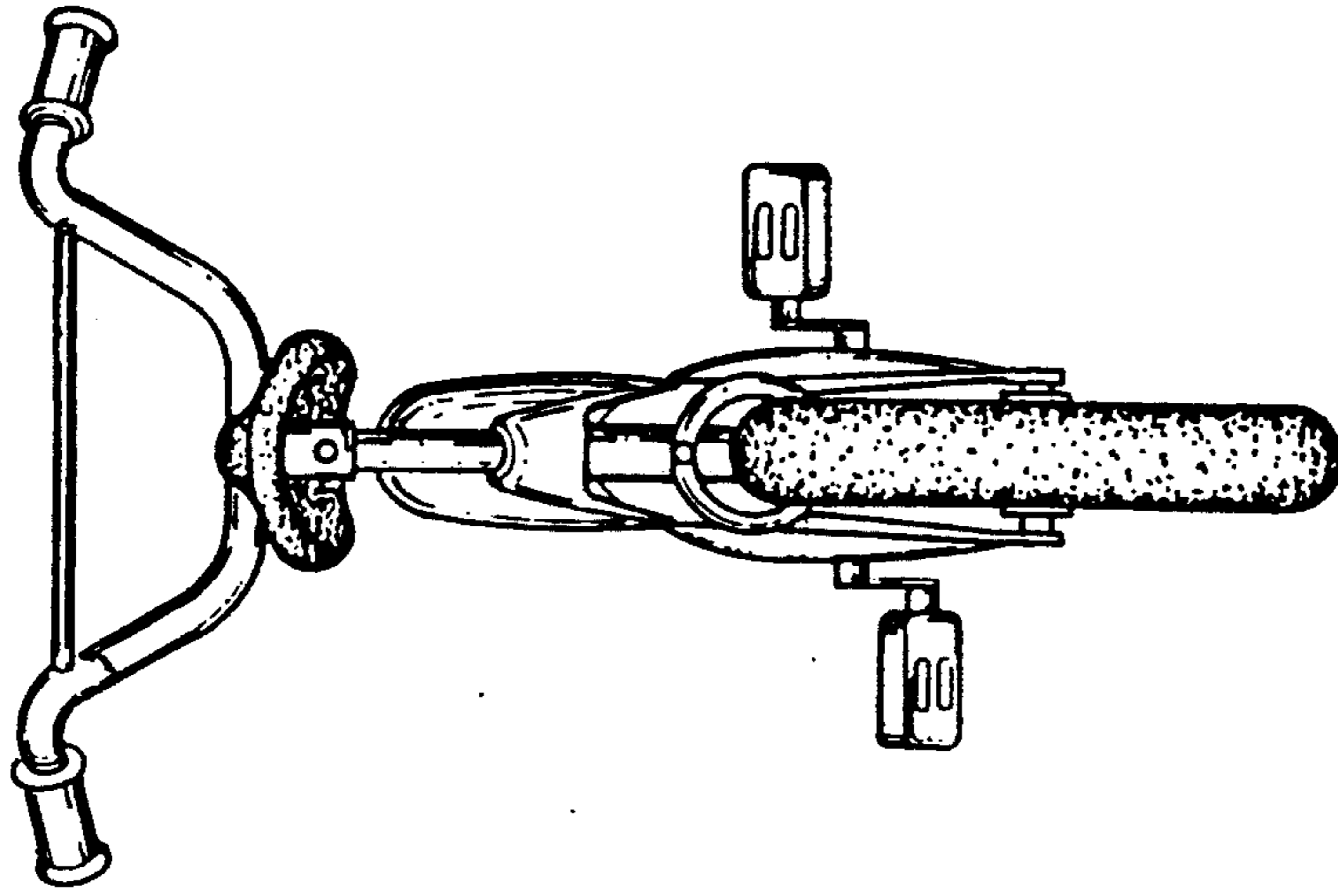


FIG. 3

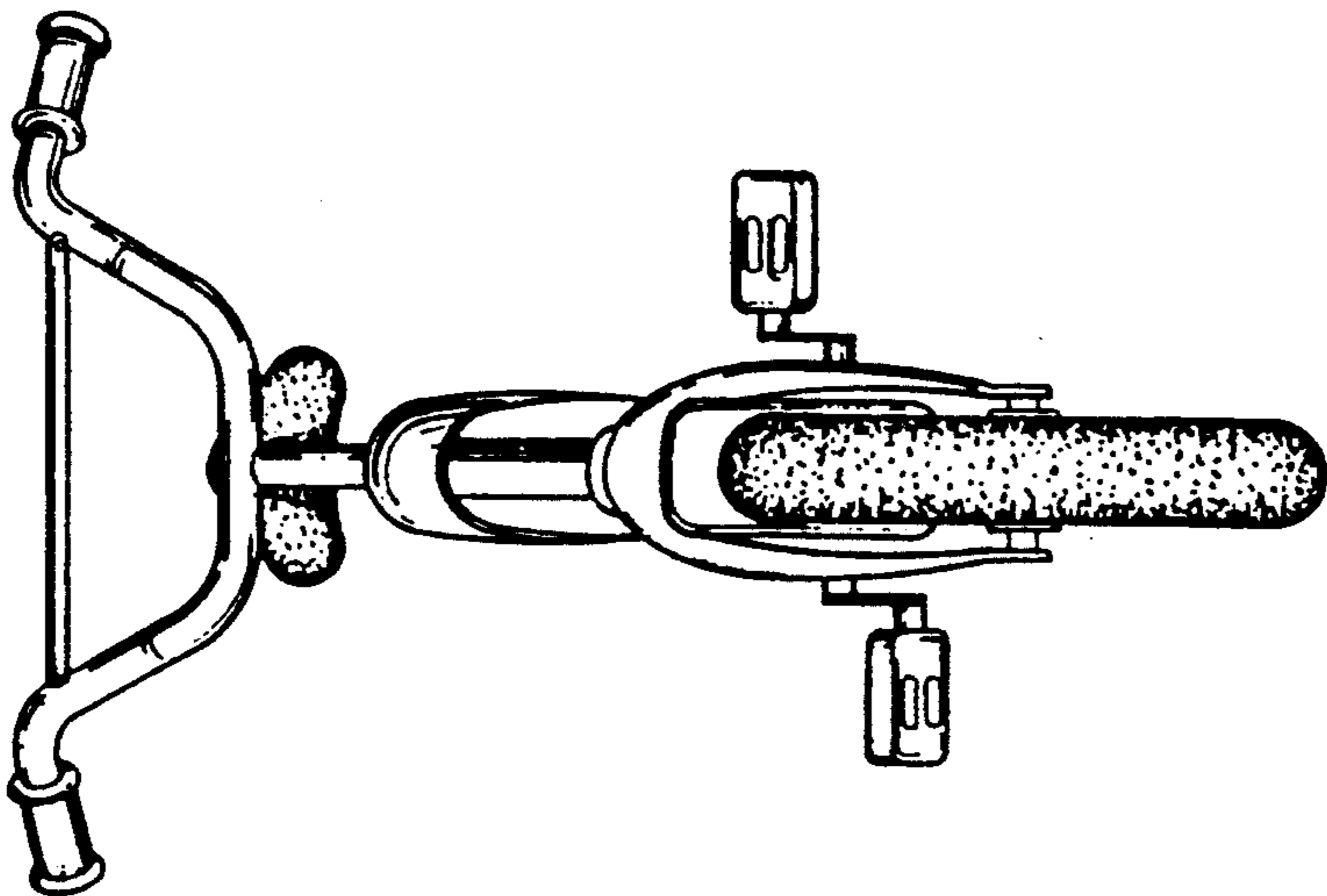


FIG. 2

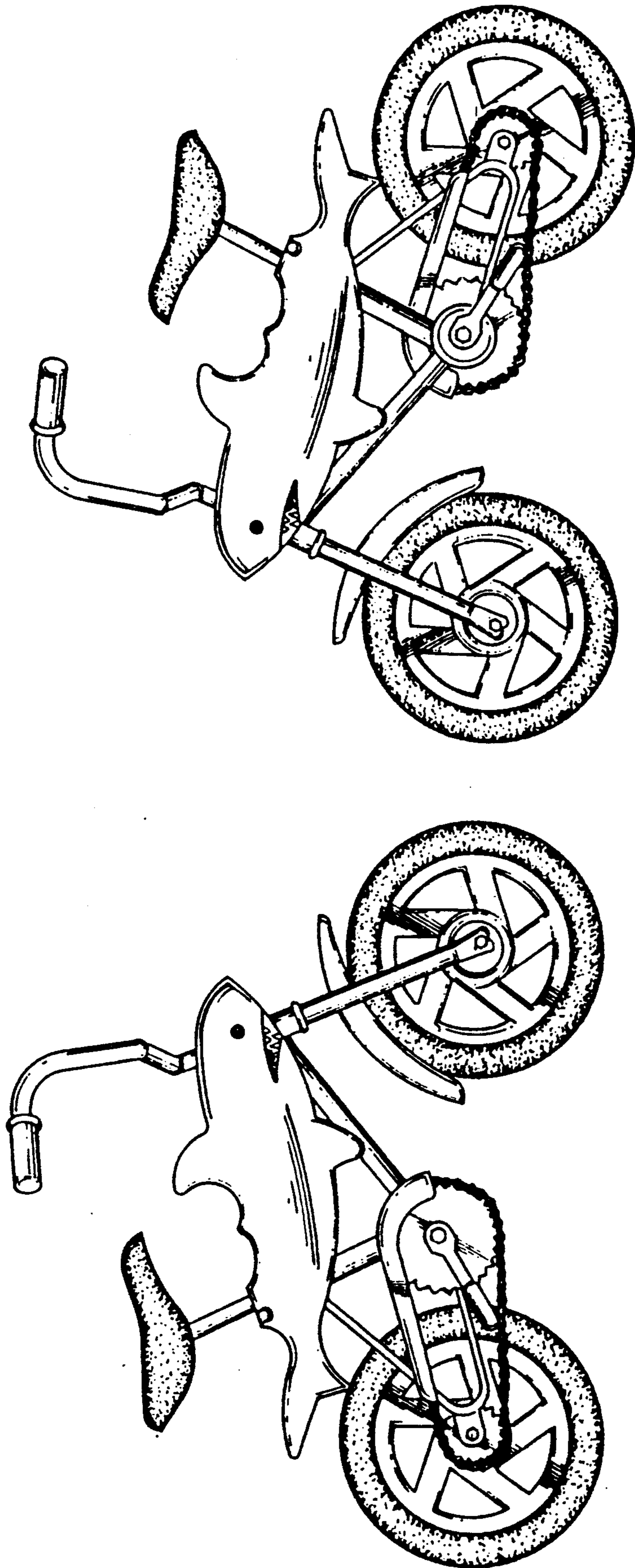


FIG. 4

FIG. 5

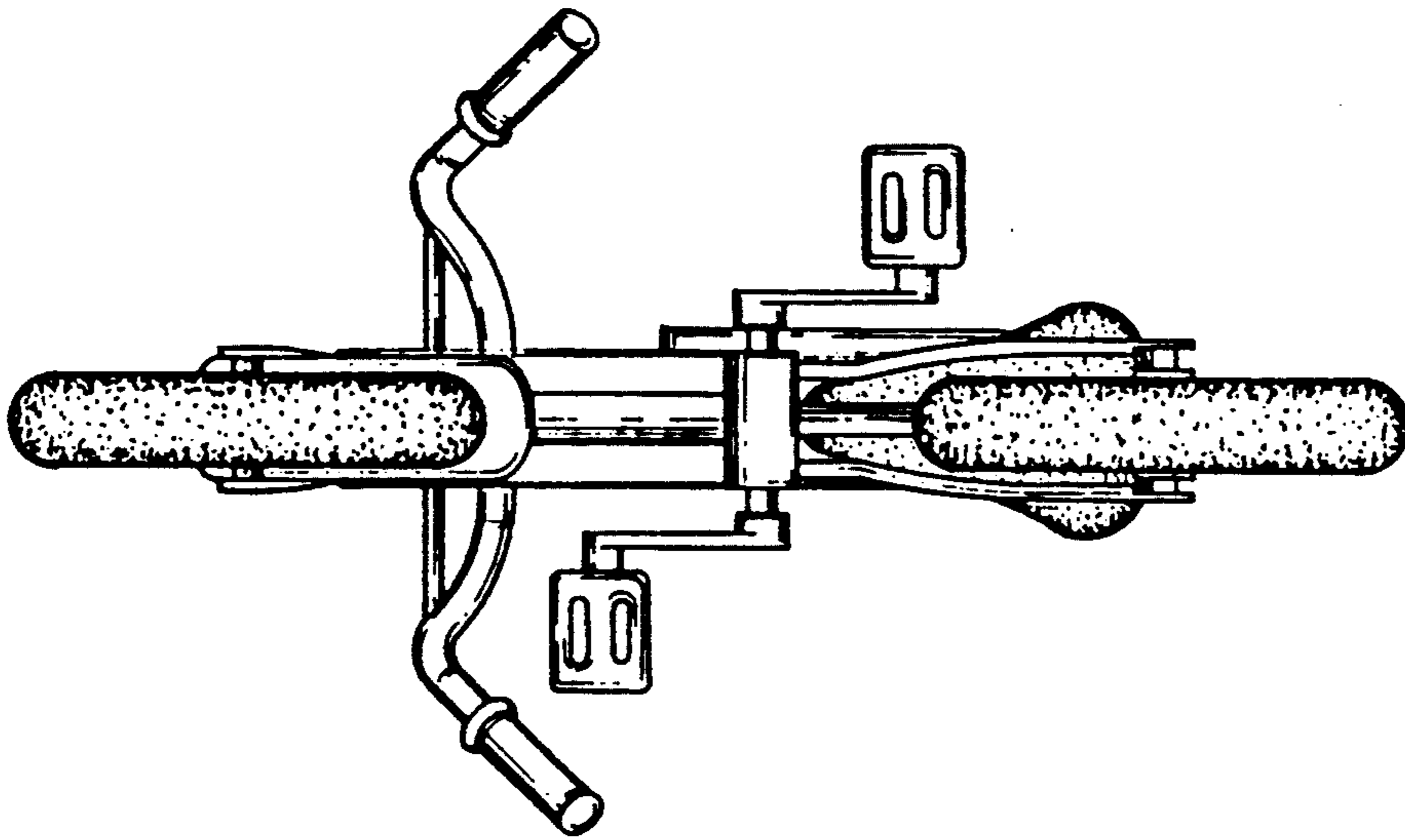


FIG. 7

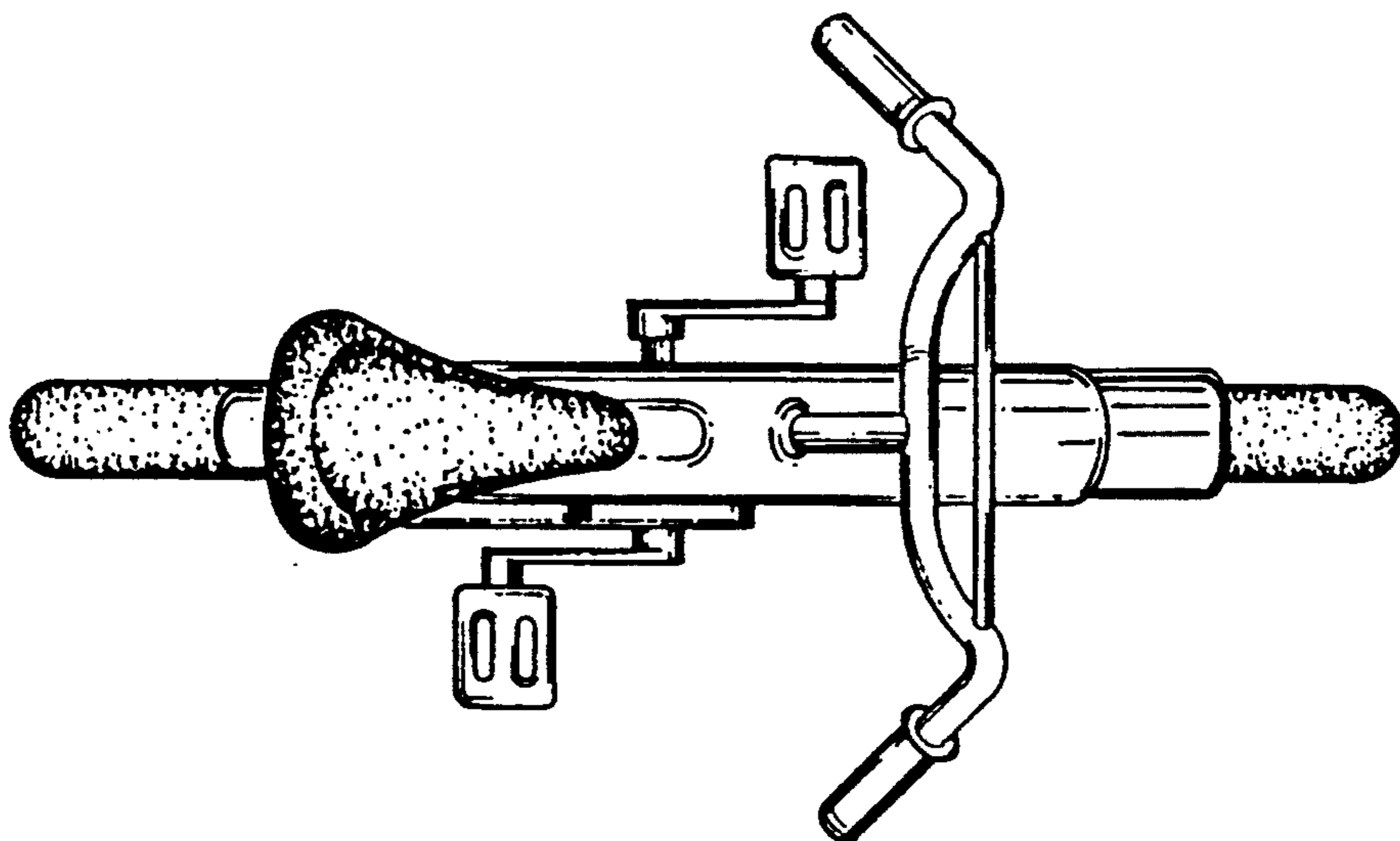


FIG. 6