



US00D347197S

United States Patent [19]

[11] Patent Number: **Des. 347,197**

Greene

[45] Date of Patent: **** May 24, 1994**

[54] BELT BUCKLE

3,882,617 5/1975 Gagner D11/232

[76] Inventor: **Jennifer L. Greene**, 3795 27th Ave., SW., Naples, Fla. 33999

Primary Examiner—A. Hugo Word
Assistant Examiner—R. Seifert

[**] Term: **14 Years**

[57] **CLAIM**

[21] Appl. No.: **1,241**

The ornamental design for belt buckle, as shown and described.

[22] Filed: **Nov. 9, 1992**

[52] U.S. Cl. **D11/231**

[58] Field of Search D2/627, 629, 630, 639, D2/628; 224/163, 229; D11/200, 201, 231-241

DESCRIPTION

[56] **References Cited**

U.S. PATENT DOCUMENTS

- D. 246,488 11/1977 Zimmerman D11/231
- D. 246,552 12/1977 Baughman D11/231
- D. 267,597 1/1983 Carter D2/630
- 2,423,668 7/1947 Wiethorn D11/231
- 3,124,822 3/1964 Marchese D2/629
- 3,134,548 5/1964 Medina et al. D2/628

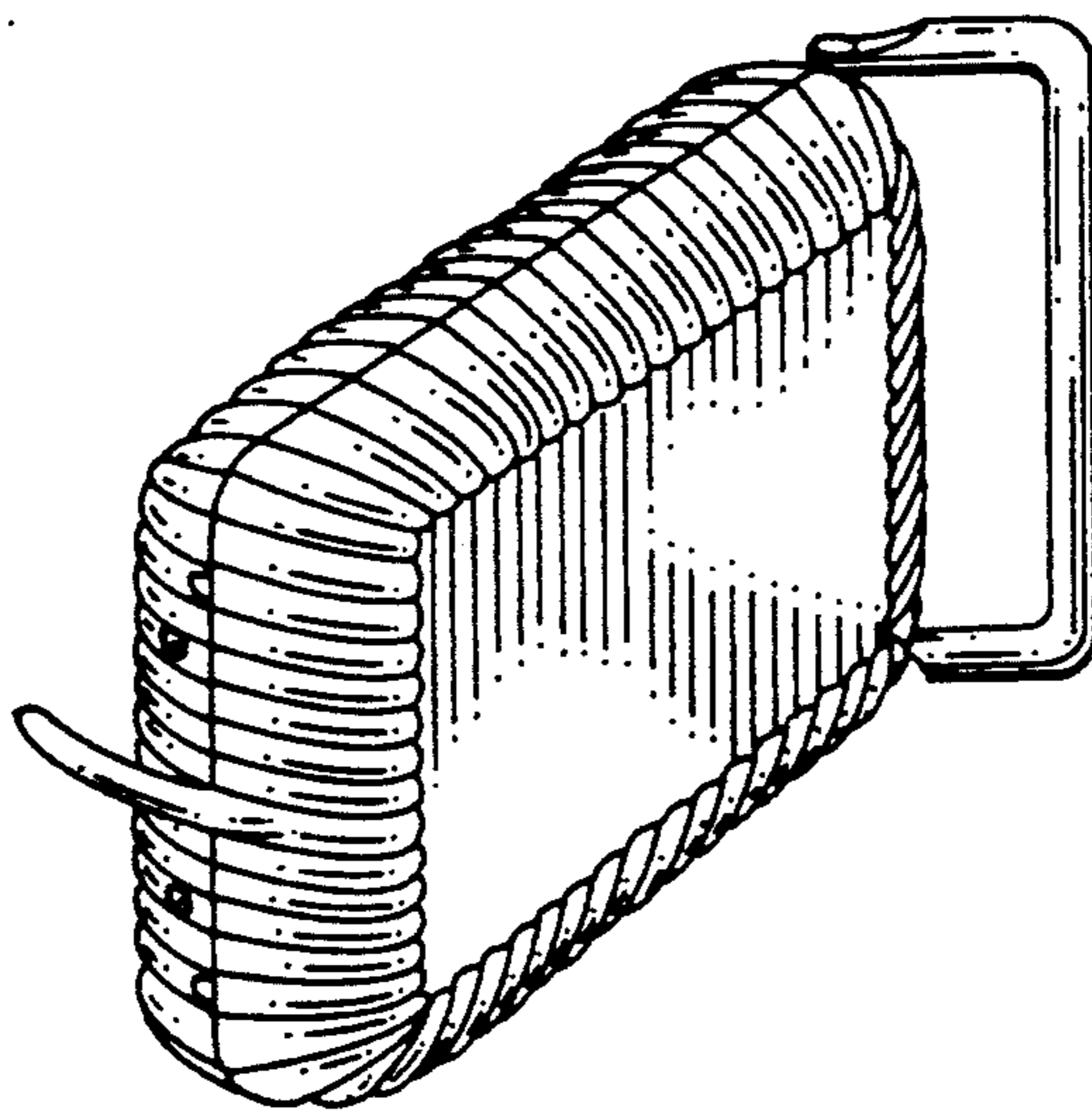
FIG. 1 is a perspective view of the belt buckle opened up to show the inside of the two halves of the belt buckle;

FIG. 2 is a perspective view of the belt buckle opened up showing the outside of the belt buckle;

FIG. 3 is a bottom plan view of the opened up belt buckle;

FIG. 4 is a top plan view of the opened up belt buckle; and,

FIG. 5 is a perspective view of the closed up belt buckle.



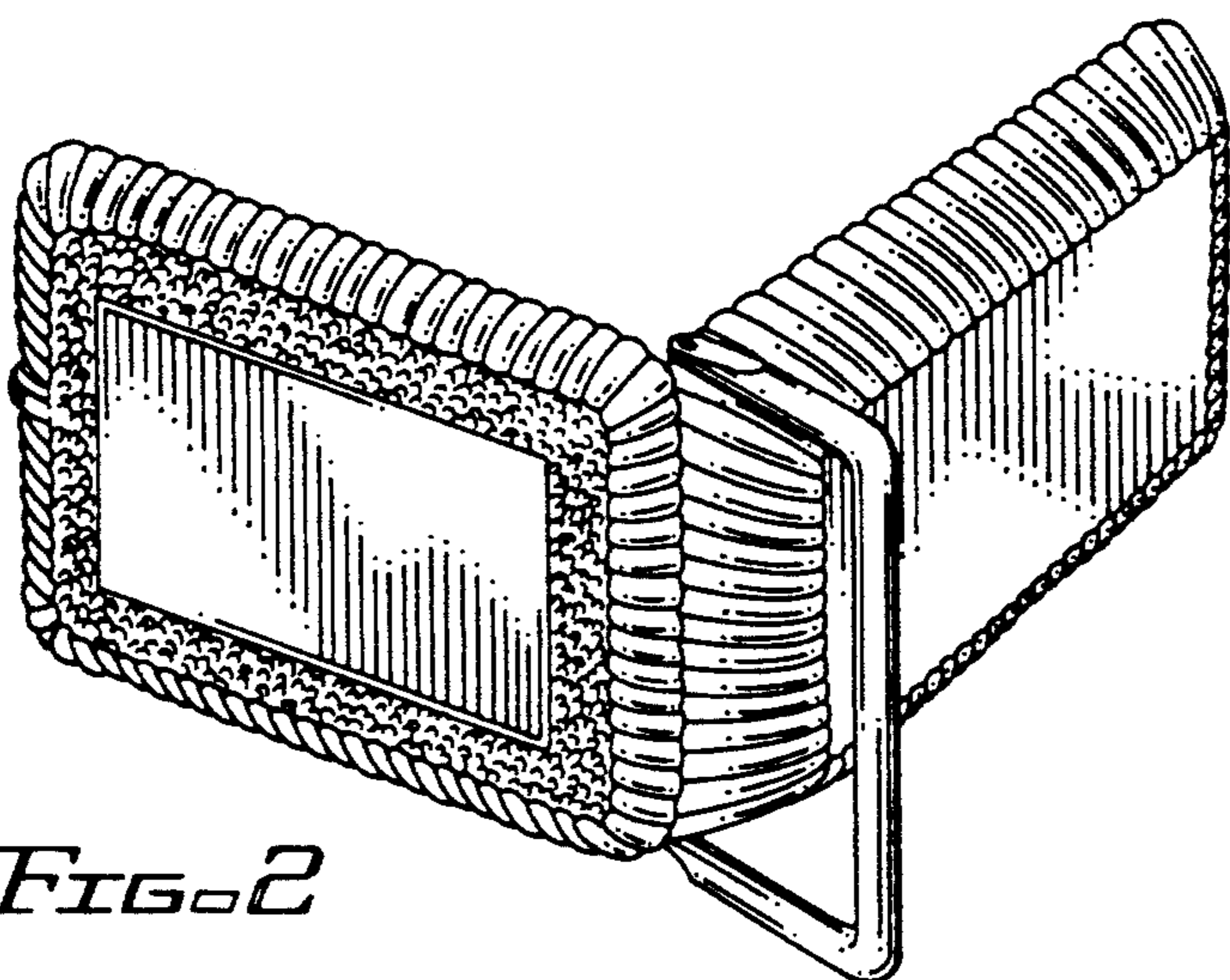


FIG. 1

FIG. 2

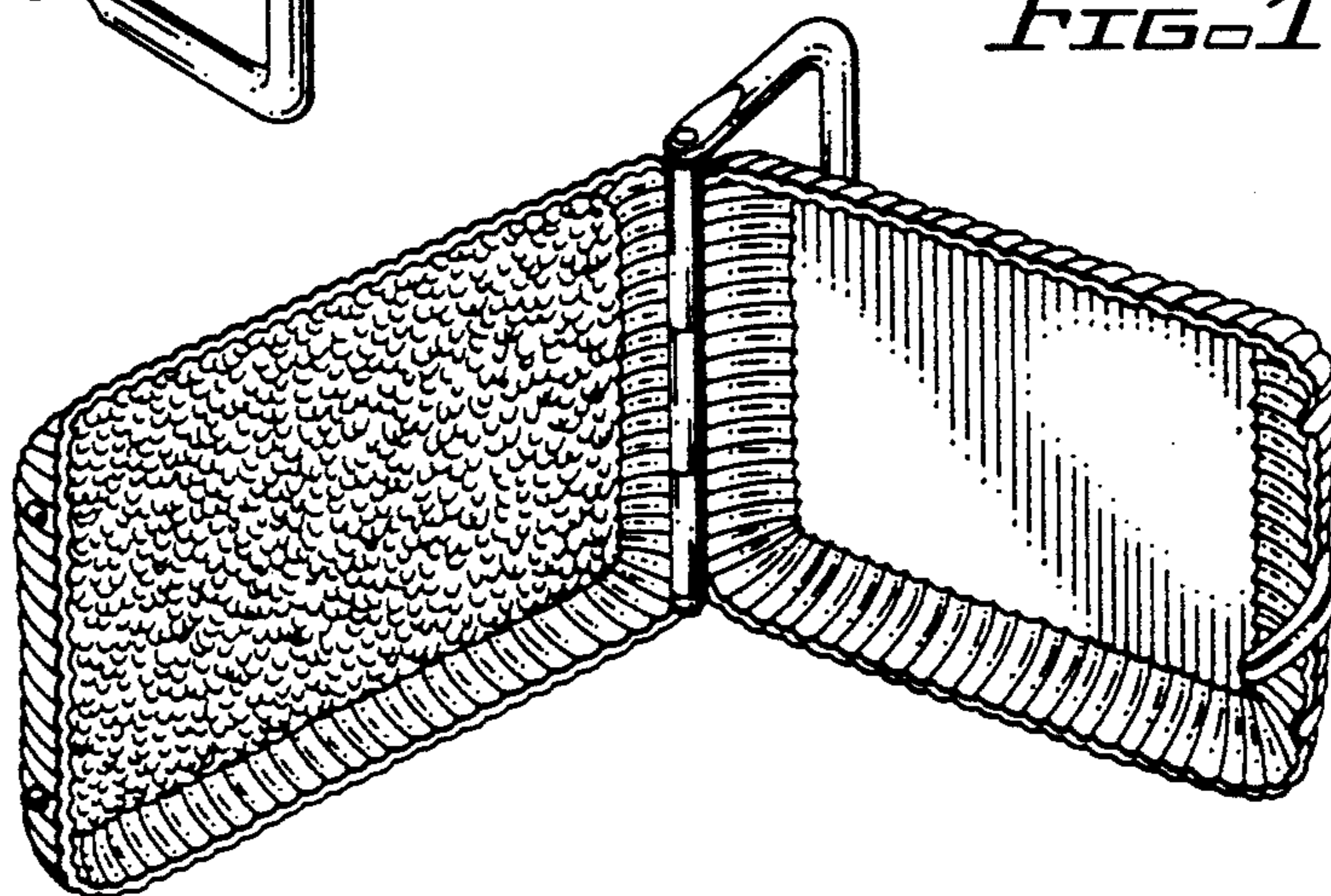


FIG. 3

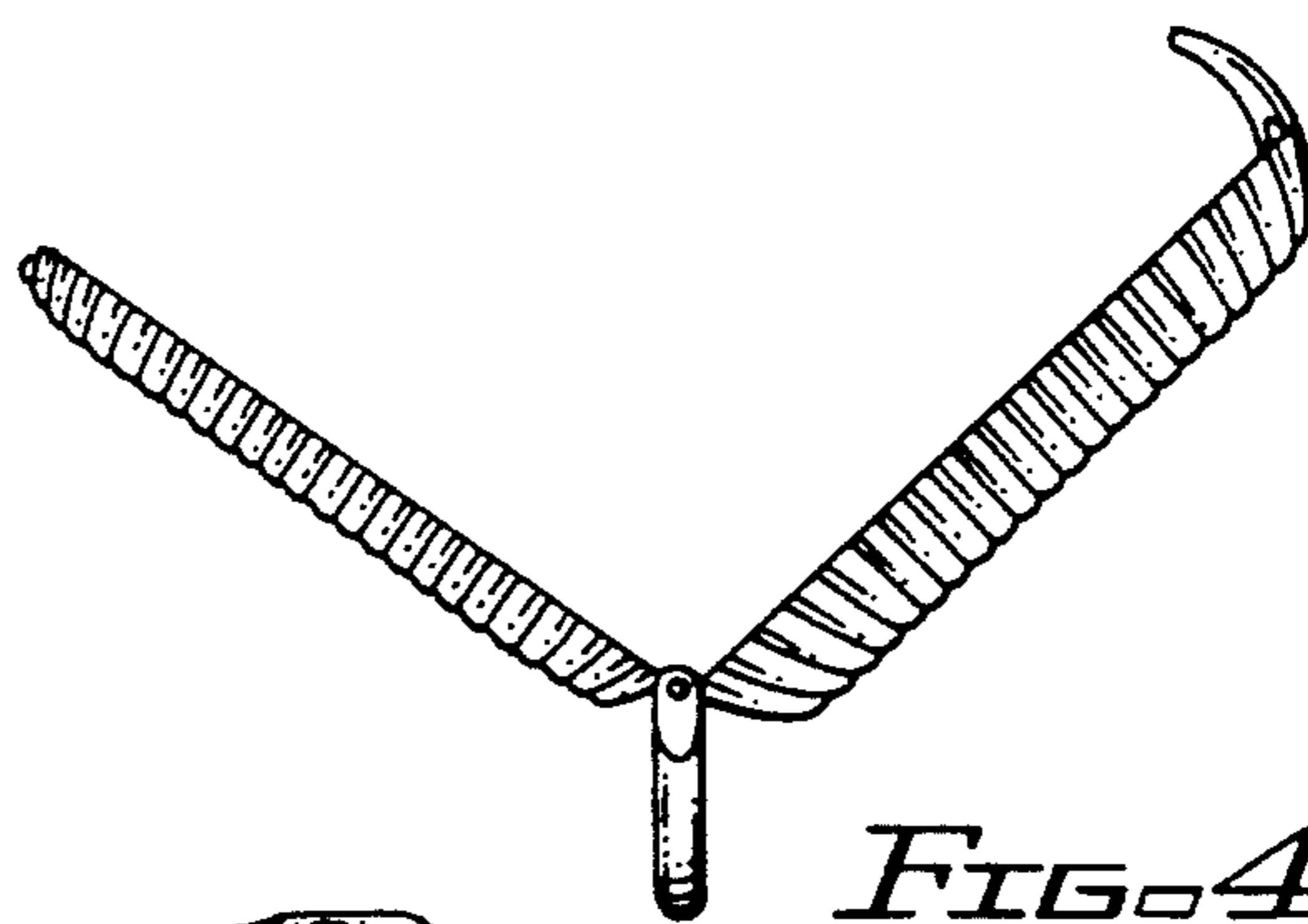
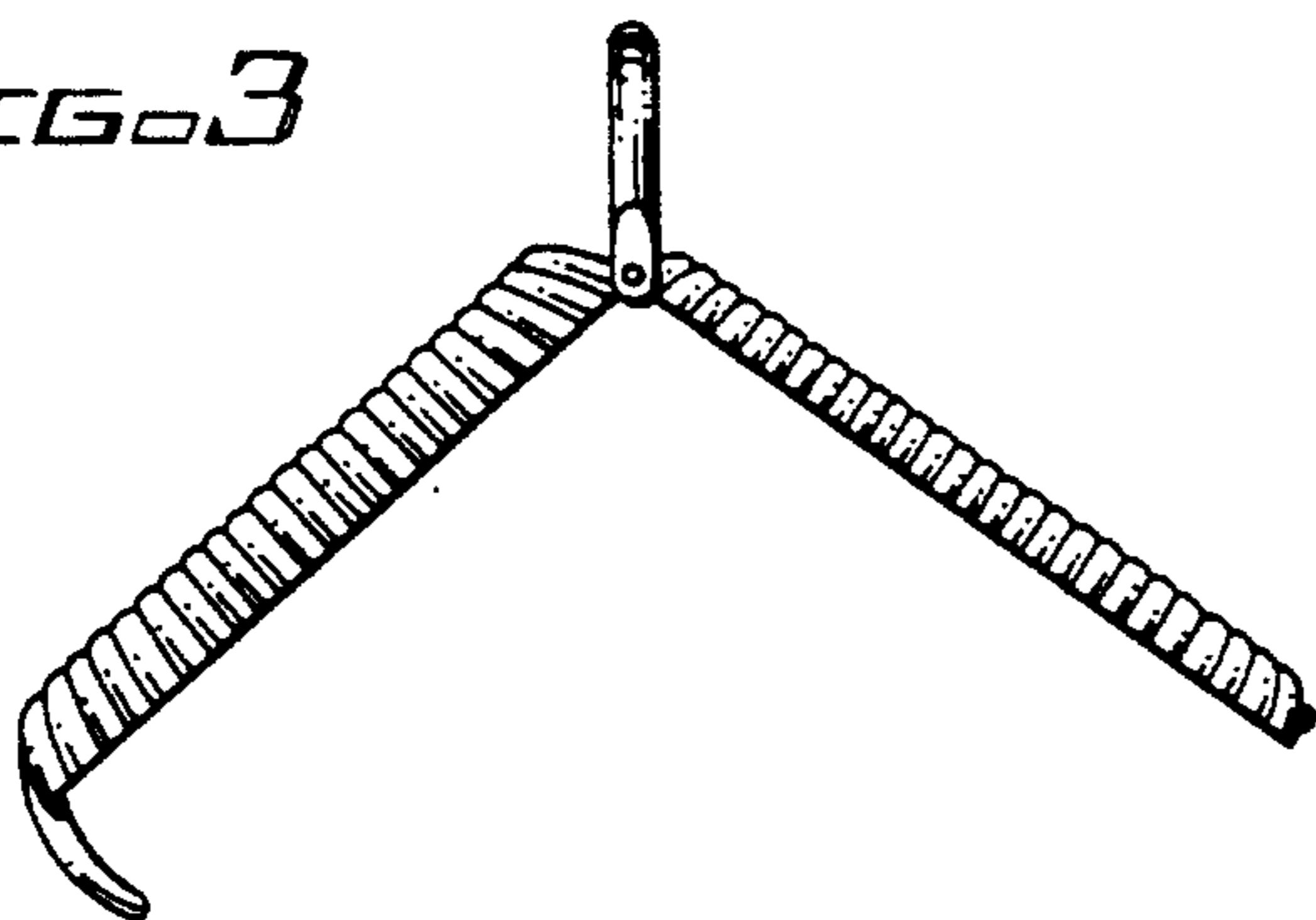


FIG. 4

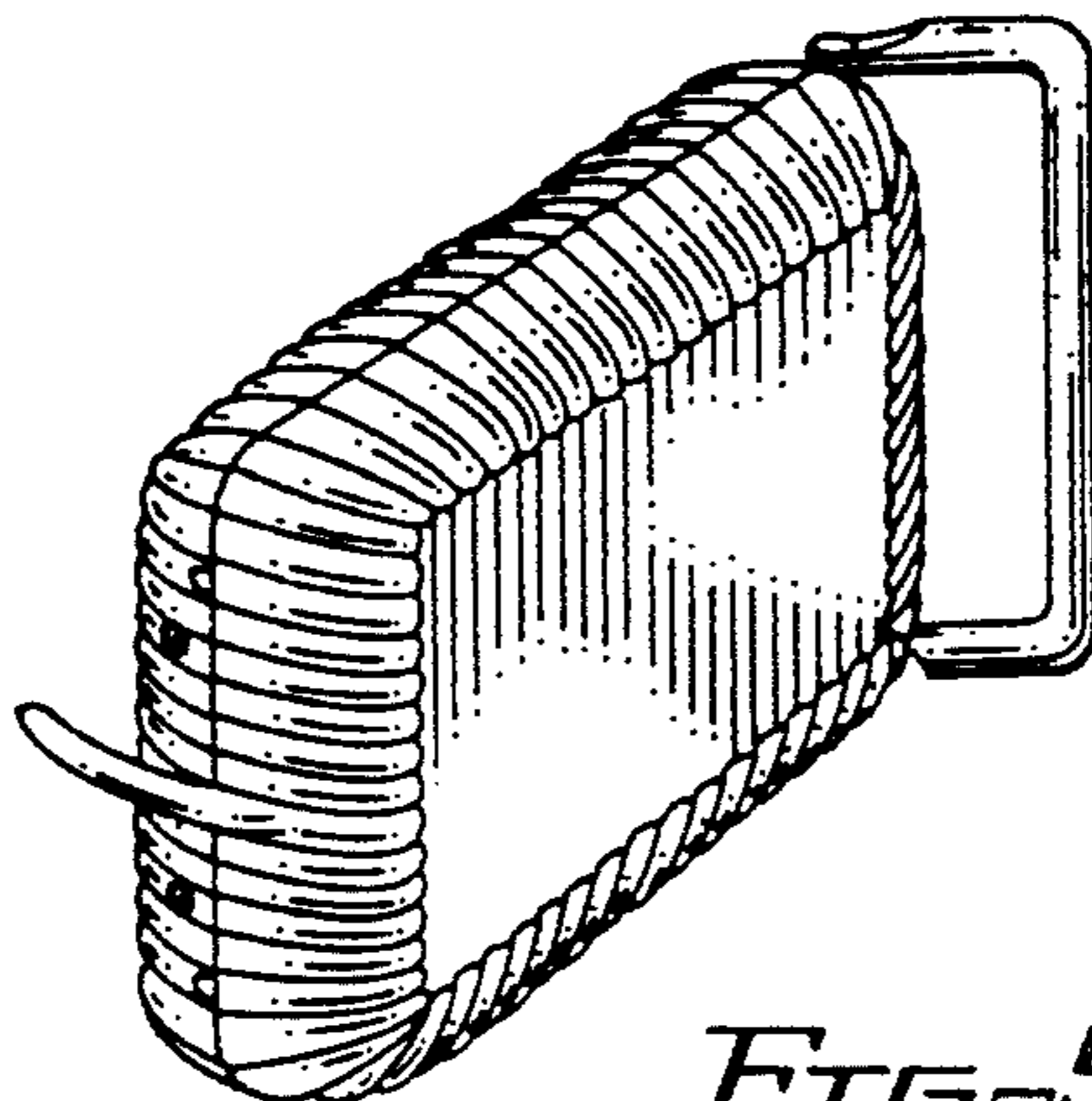


FIG. 5