



US00D347195S

United States Patent [19]

[11] Patent Number: **Des. 347,195**

Carroll

[45] Date of Patent: **** May 24, 1994**

[54] COMBINATION VIAL AND CARD HOLDER

4,381,623 5/1983 Koistiner D11/164 X

[75] Inventor: **William G. Carroll**, Salt Lake City, Utah

Primary Examiner—Alan P. Douglas
Assistant Examiner—S. Snapp
Attorney, Agent, or Firm—Thorpe North & Western

[73] Assignee: **Maxim, Inc.**, Salt Lake City, Utah

[57] **CLAIM**

[**] Term: **14 Years**

The ornamental design for a combination vial and card holder, as shown and described.

[21] Appl. No.: **935,732**

DESCRIPTION

[22] Filed: **Aug. 27, 1992**

[52] U.S. Cl. **D11/144**

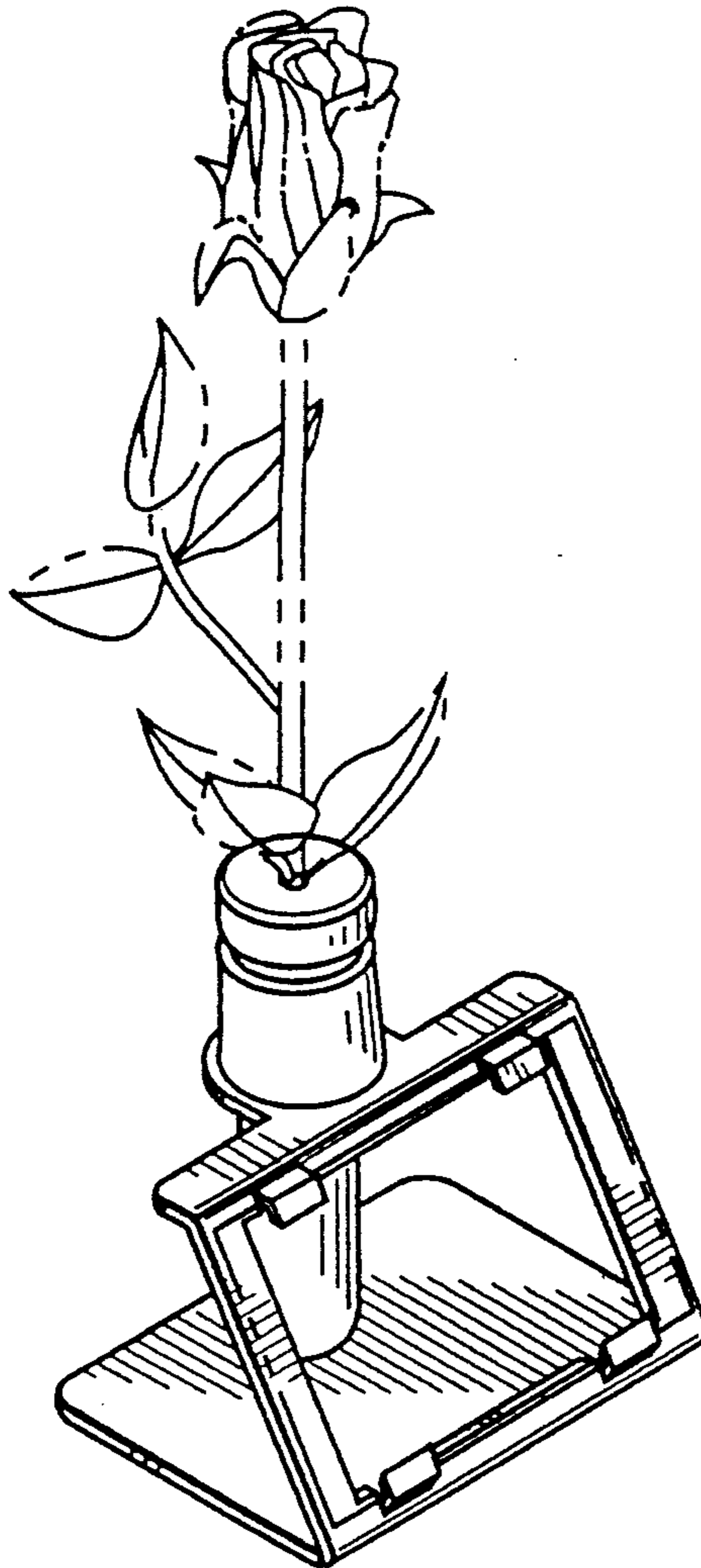
[58] Field of Search D3/56, 57; D11/143, D11/144, 152; D19/1, 75; D20/10, 19

FIG. 1 is a perspective view of the combination vial and card holder showing my new design; FIG. 2 is a front, elevational view thereof; FIG. 3 is a side, elevational view, the other side being a mirror image; FIG. 4 is a rear, elevational view thereof; FIG. 5 is a top, plan view thereof; and, FIG. 6 is a bottom view thereof. The dashed line representations of a flower and a card as shown in FIG. 1 are for illustrative purposes only and do not form any part of the claimed design.

[56] **References Cited**

U.S. PATENT DOCUMENTS

- D. 62,839 8/1923 McDaniel D20/19 X
- D. 129,724 9/1941 Gardner D19/75
- D. 249,193 8/1978 Boecher, Jr. D11/164 X
- D. 337,656 7/1993 Hostert D3/56



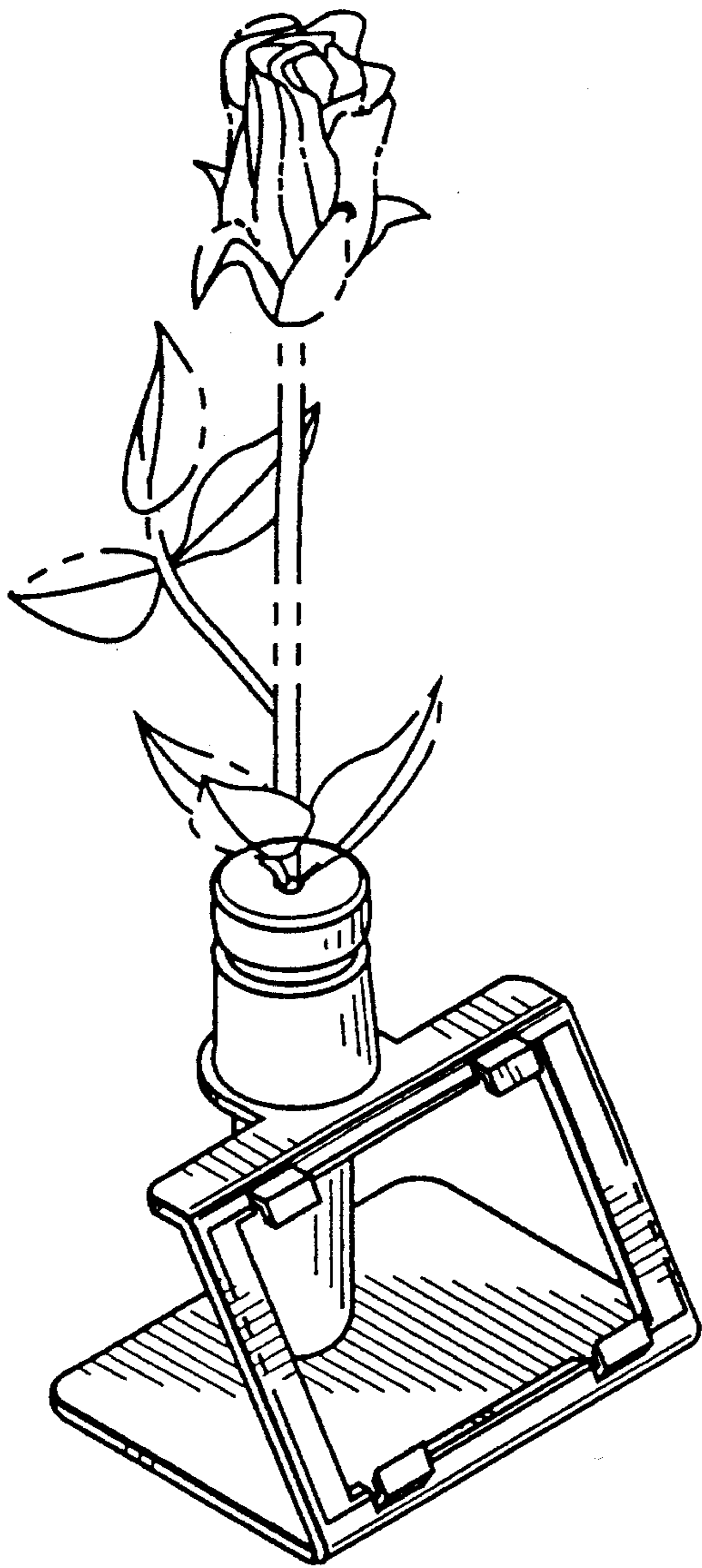


Fig. 1

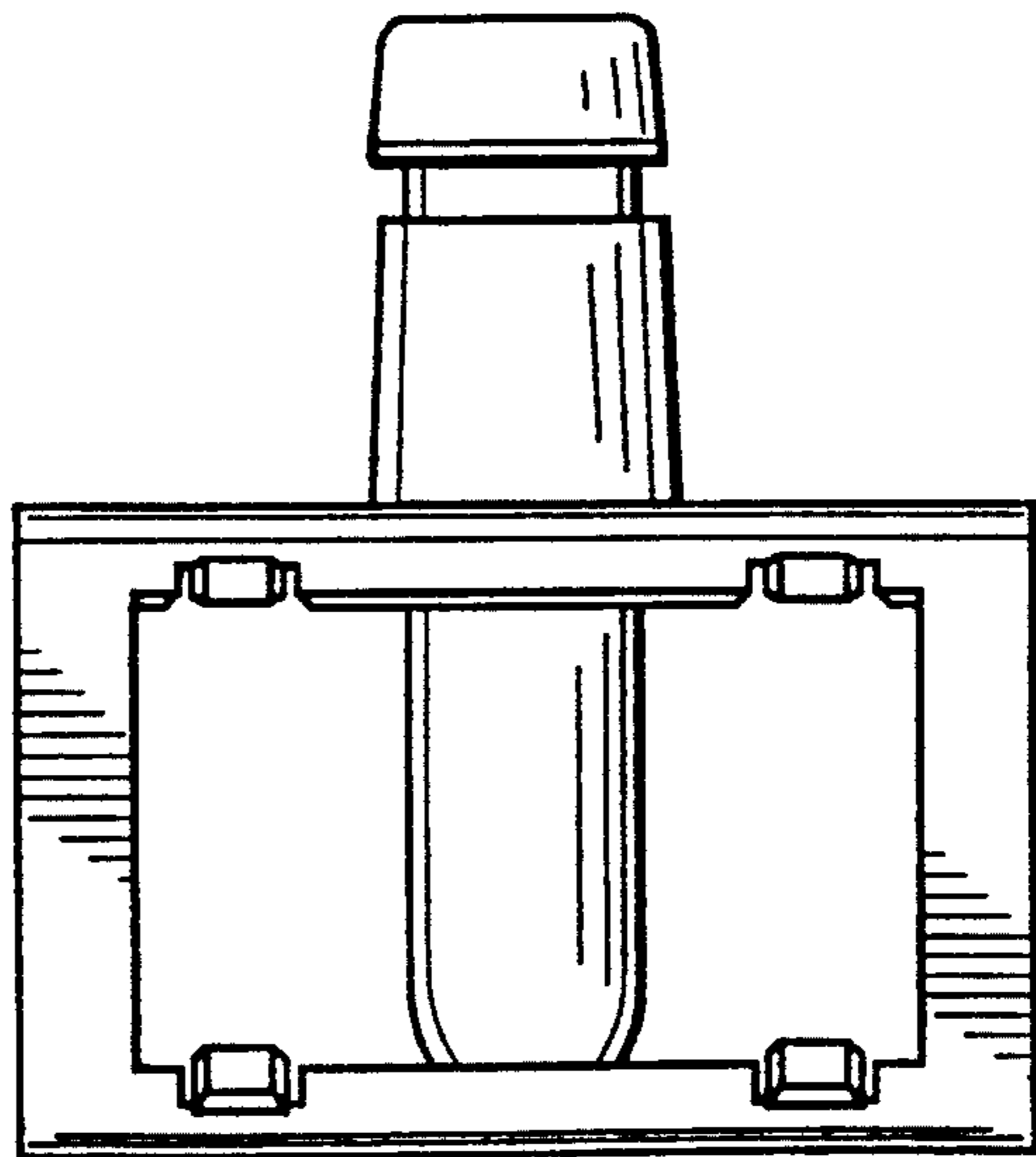


Fig. 2

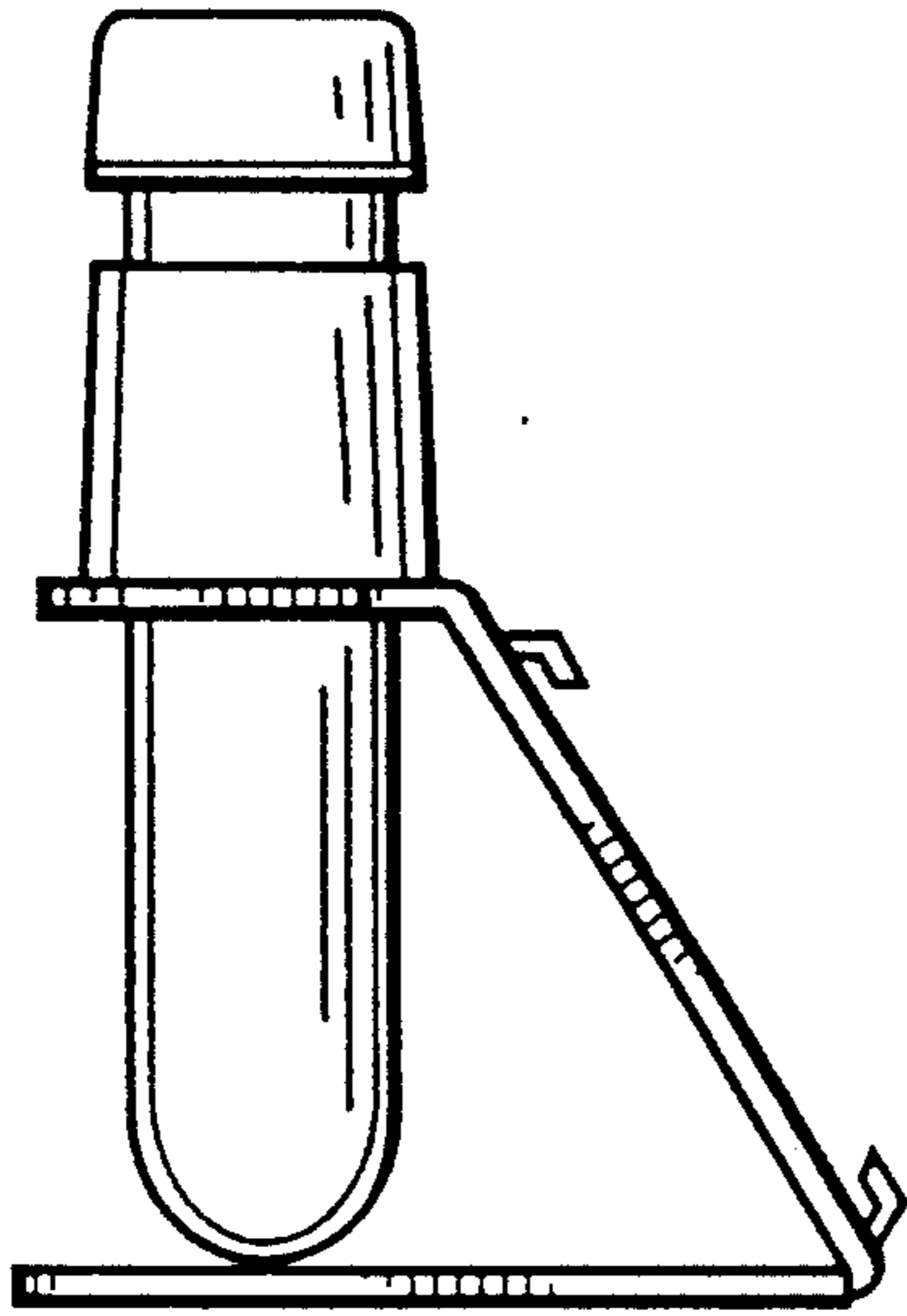


Fig. 3

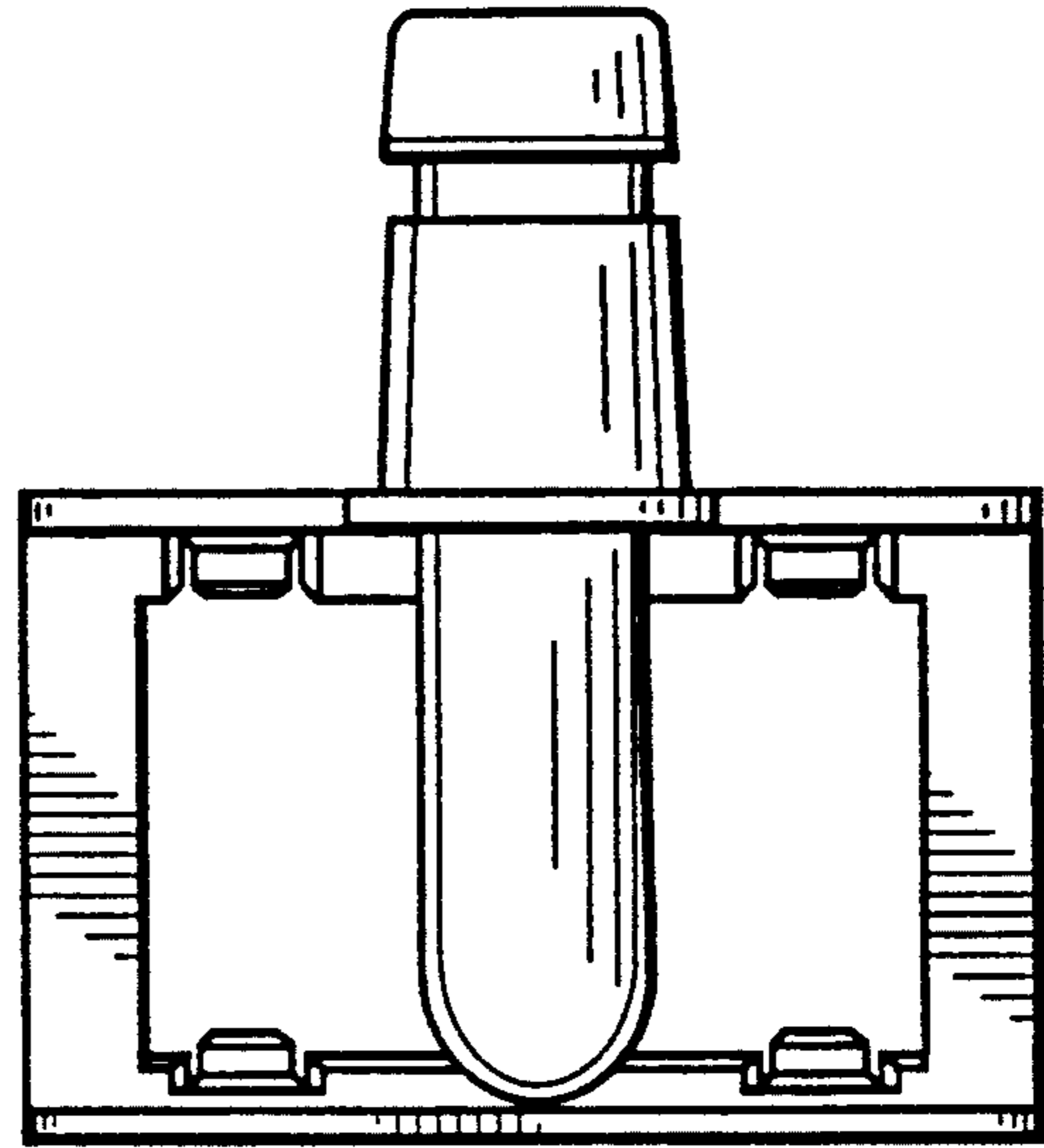


Fig. 4

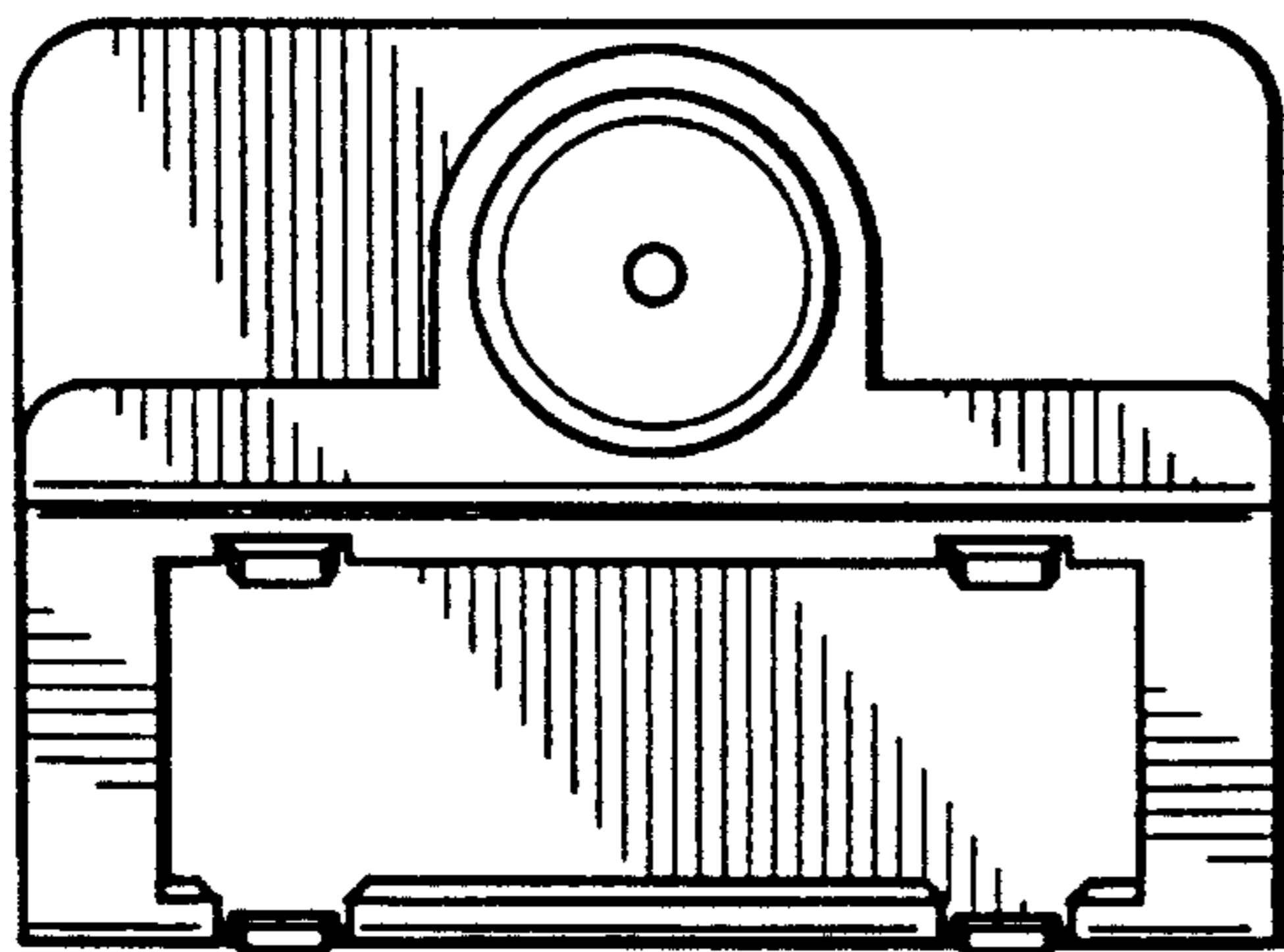


Fig. 5

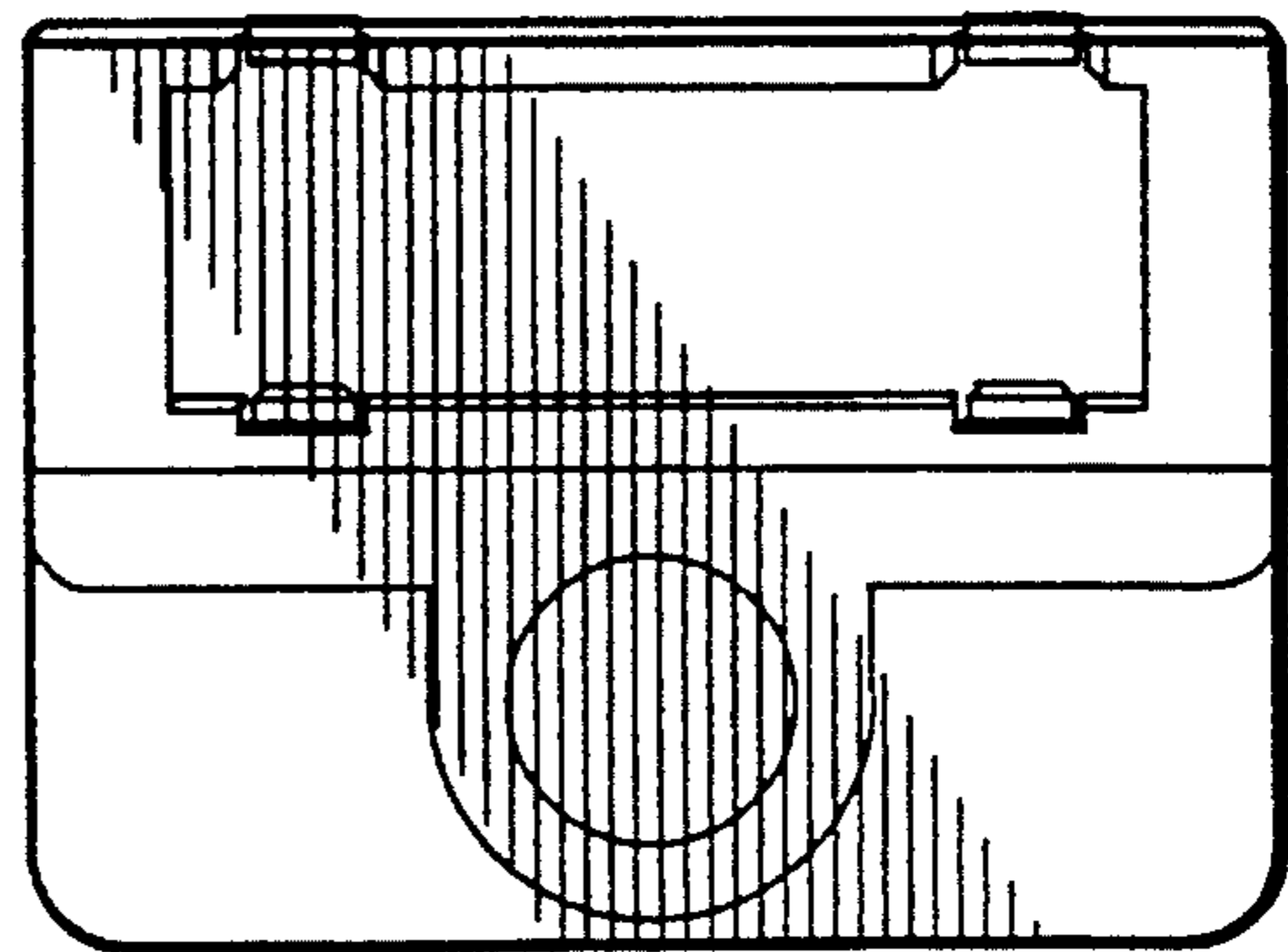


Fig. 6