



US00D347194S

United States Patent [19]

[11] Patent Number: **Des. 347,194**

Skinner

[45] Date of Patent: **** May 24, 1994**

[54] NOVELTY PLAQUE

[76] Inventor: **Mark E. Skinner, 49 E. Point Rd., Palmyra, Va. 22963**

[**] Term: **14 Years**

[21] Appl. No.: **880,337**

[22] Filed: **May 8, 1992**

[52] U.S. Cl. **D11/133; D20/22**

[58] Field of Search **40/1, 1.5, 299, 628, 40/629, 630, 584, 591, 594, 600; D20/10, 11, 22, 23, 24, 25, 40, 42; D11/99, 133, 172**

[56] References Cited

U.S. PATENT DOCUMENTS

D. 234,232	1/1975	Byrum	D20/23
732,806	7/1903	Wolfert	40/540
1,495,488	5/1924	Kerr	40/621
2,659,169	11/1953	Brennan	40/621
2,785,490	3/1957	Fabry	40/621

OTHER PUBLICATIONS

Dennison's Party Magazine 1927 p. 20 upper left corner (pumpkin).

Primary Examiner—Wallace R. Burke

Assistant Examiner—Marcus Jackson

Attorney, Agent, or Firm—Hugh E. Smith

[57] CLAIM

The ornamental design for a novelty plaque, as shown and described.

DESCRIPTION

FIG. 1 is a front elevational view of the novelty plaque showing my new design;

FIG. 2 is a rear elevational view thereof;

FIG. 3 is a left side elevational view thereof;

FIG. 4 is a right side elevational view thereof;

FIG. 5 is a top plan view thereof;

FIG. 6 is a bottom plan view thereof; and,

FIG. 7 is an isometric view showing a use thereof, with the broken line showing for illustrative purposes only and forming no part of the claimed design.



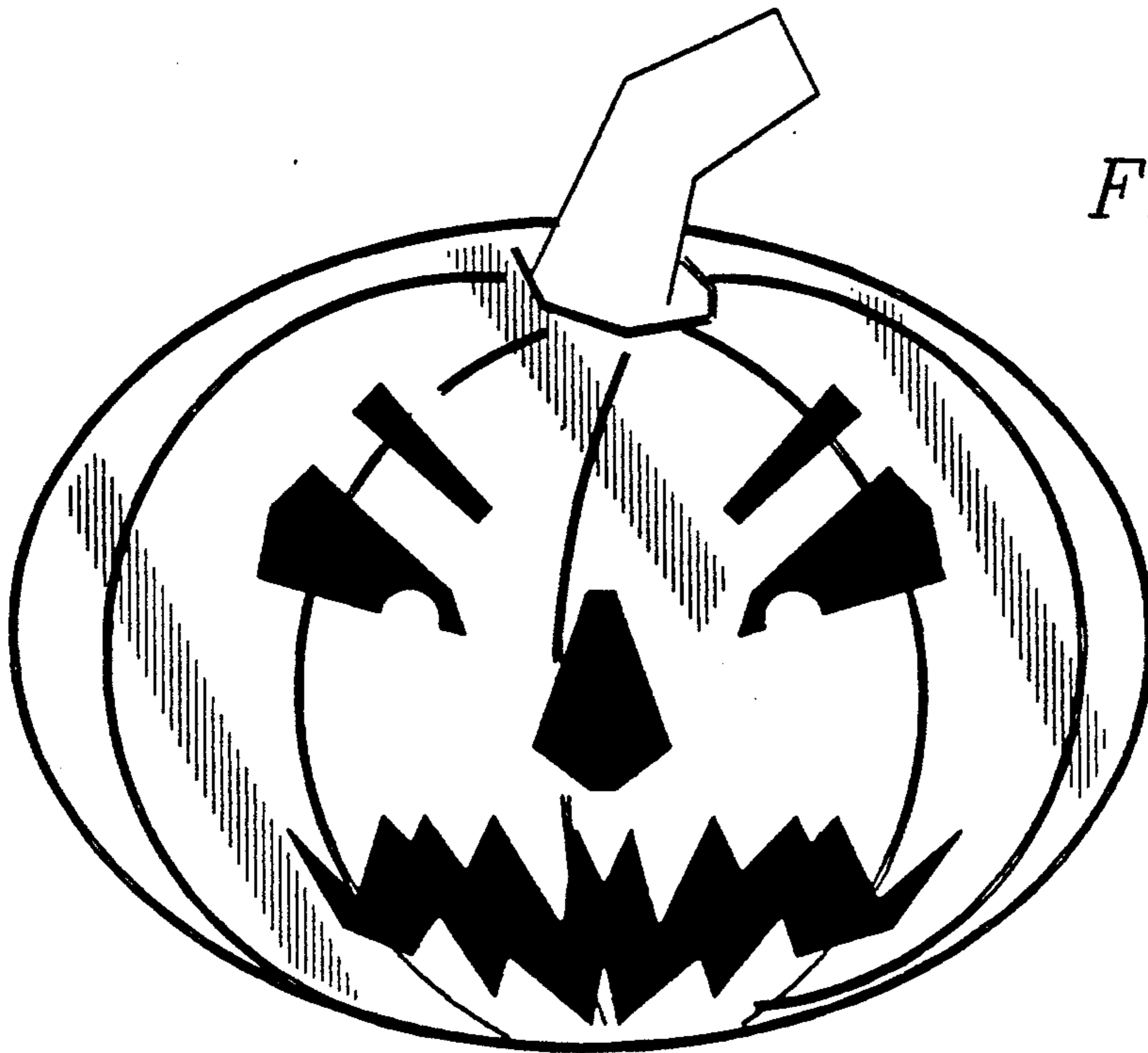


FIG. 1

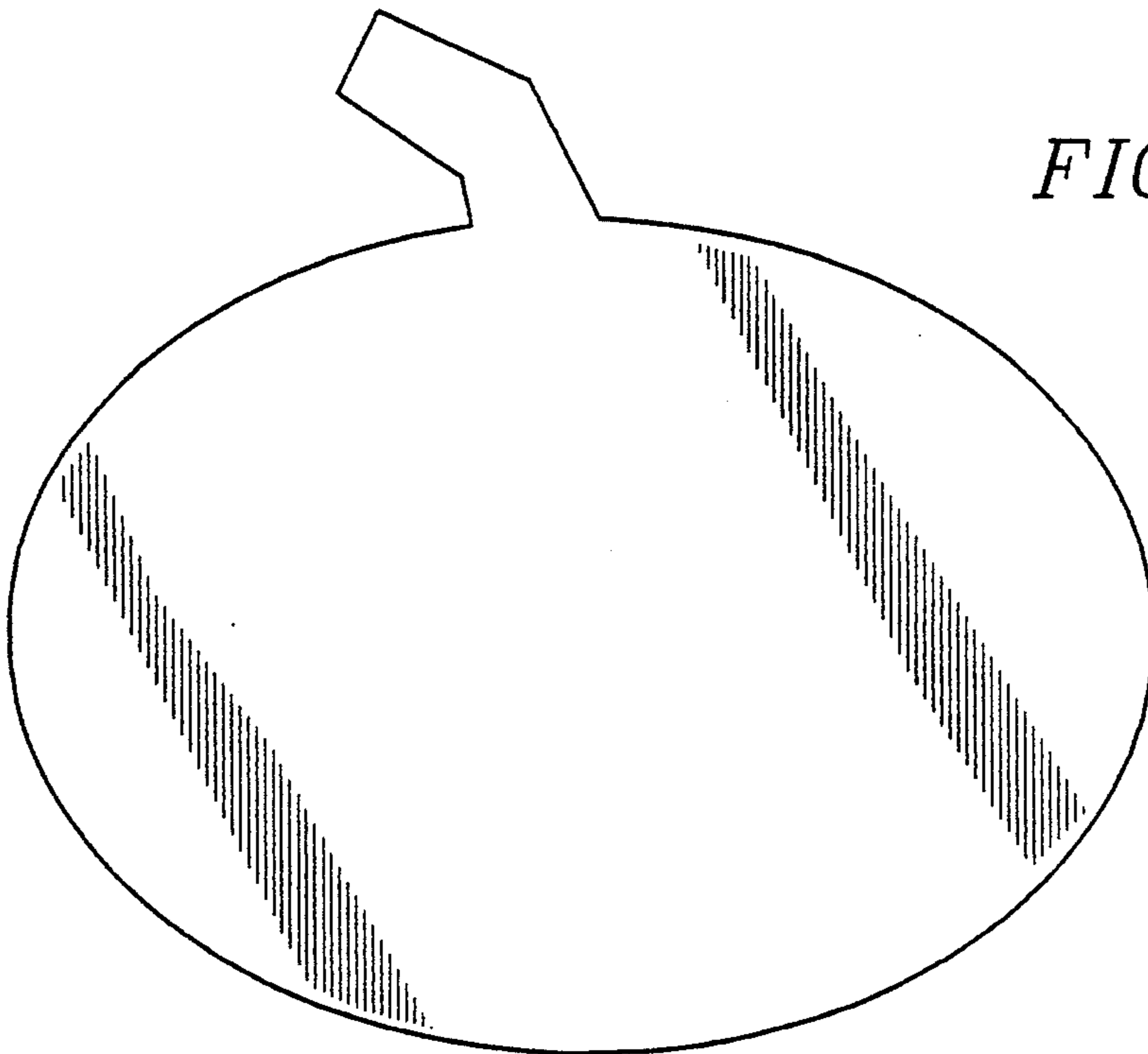


FIG. 2



FIG. 3

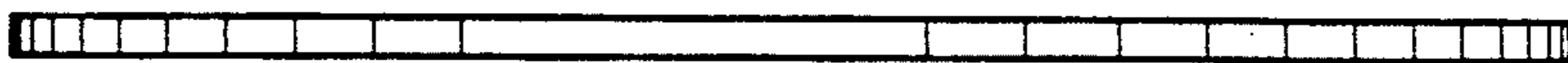


FIG. 4

FIG. 5



FIG. 6



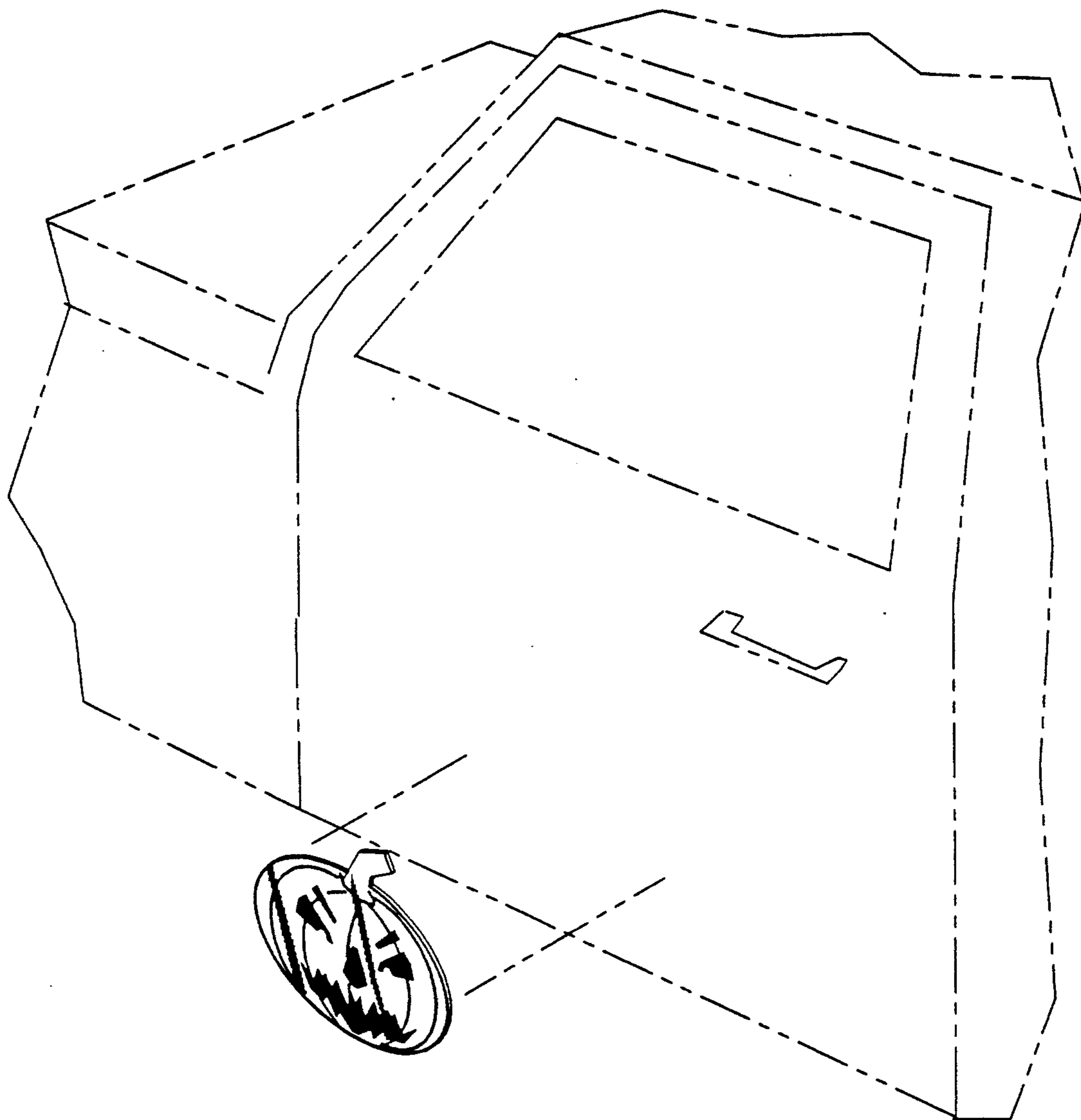


FIG. 7