



US00D347193S

# United States Patent [19]

[11] Patent Number: **Des. 347,193**

**Keyser**

[45] Date of Patent: **\*\* May 24, 1994**

[54] SECURITY LOCKBOX WITH VISUAL INSPECTION WINDOW FOR TEMPERATURE CONTROLS ON SWIMMING POOL AND SPA HEATERS

[76] Inventor: **Ricky G. Keyser, 2557 Canterbury Dr. S., West Palm Bch., Fla. 33407**

[\*\*] Term: **14 Years**

[21] Appl. No.: **886,017**

[22] Filed: **May 19, 1992**

[52] U.S. Cl. .... **D10/49**

[58] Field of Search ..... D8/343, 346; 312/209, 312/100-101, 223.1, 223.6; D13/158, 160, 184; D10/46, 49-50

[56] **References Cited**

**U.S. PATENT DOCUMENTS**

D. 99,582	5/1936	Moore	.....	D10/49
D. 129,967	10/1941	Lambert	.....	D10/49
D. 181,303	10/1957	Lombard, Jr.	.....	D10/49 X
D. 315,519	3/1991	Odum, Jr. et al.	.....	D10/50
3,729,871	10/1966	Bright	.....	312/223.1
4,374,541	2/1983	Hoberman	.....	312/233.1 X

**OTHER PUBLICATIONS**

Hardware Age (Aug. 1989) p. 310, Disconnect Switch.

Primary Examiner—Brian N. Vinson

[57] **CLAIM**

The ornamental design for a security lockbox with visual inspection window for temperature controls on swimming pool and spa heaters, as shown and described.

**DESCRIPTION**

FIG. 1 is a front elevational view of a security lockbox with visual inspection window for temperature controls on swimming pool and spa heaters showing my new design;

FIG. 2 is a rear elevational view thereof;

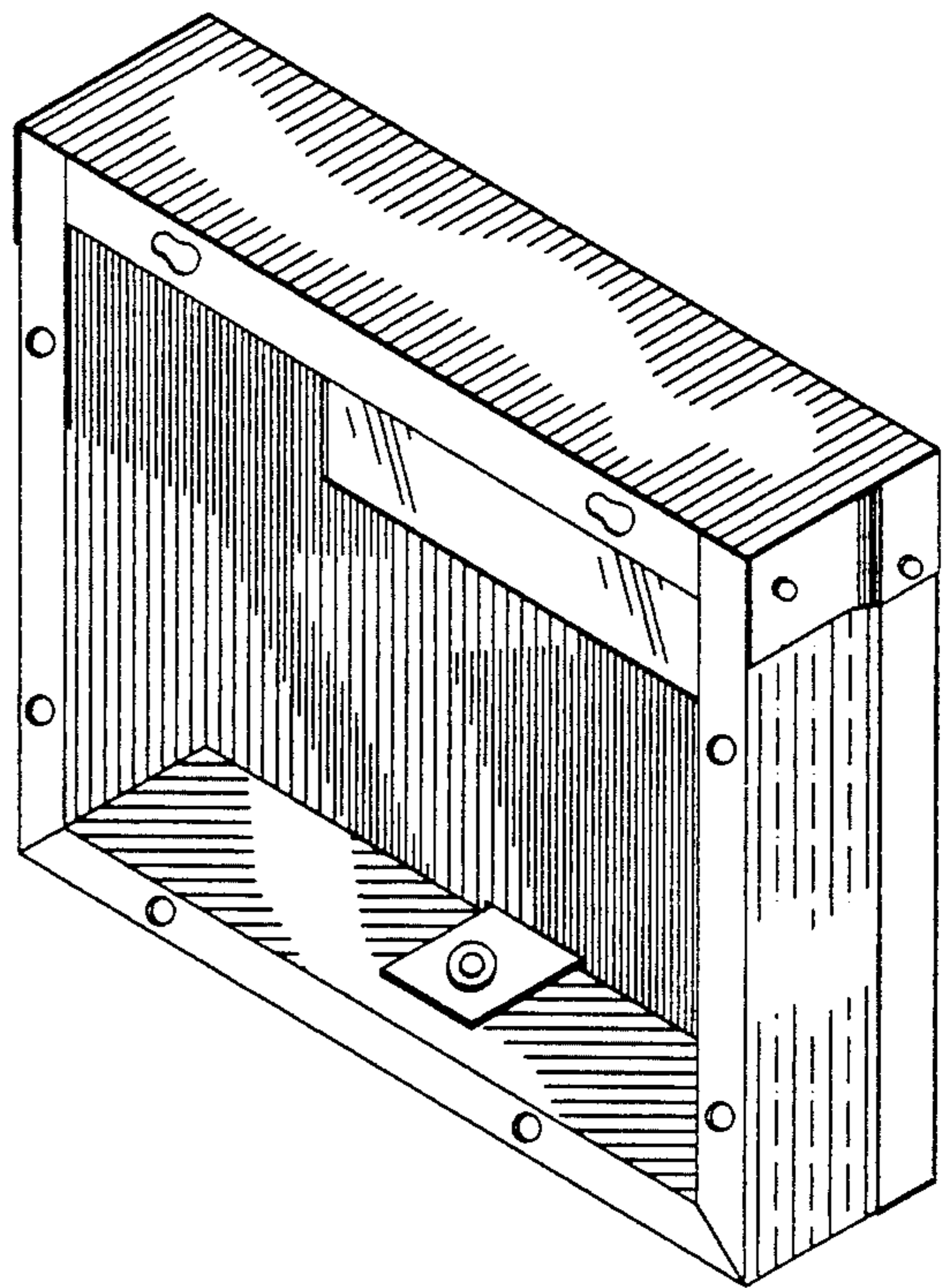
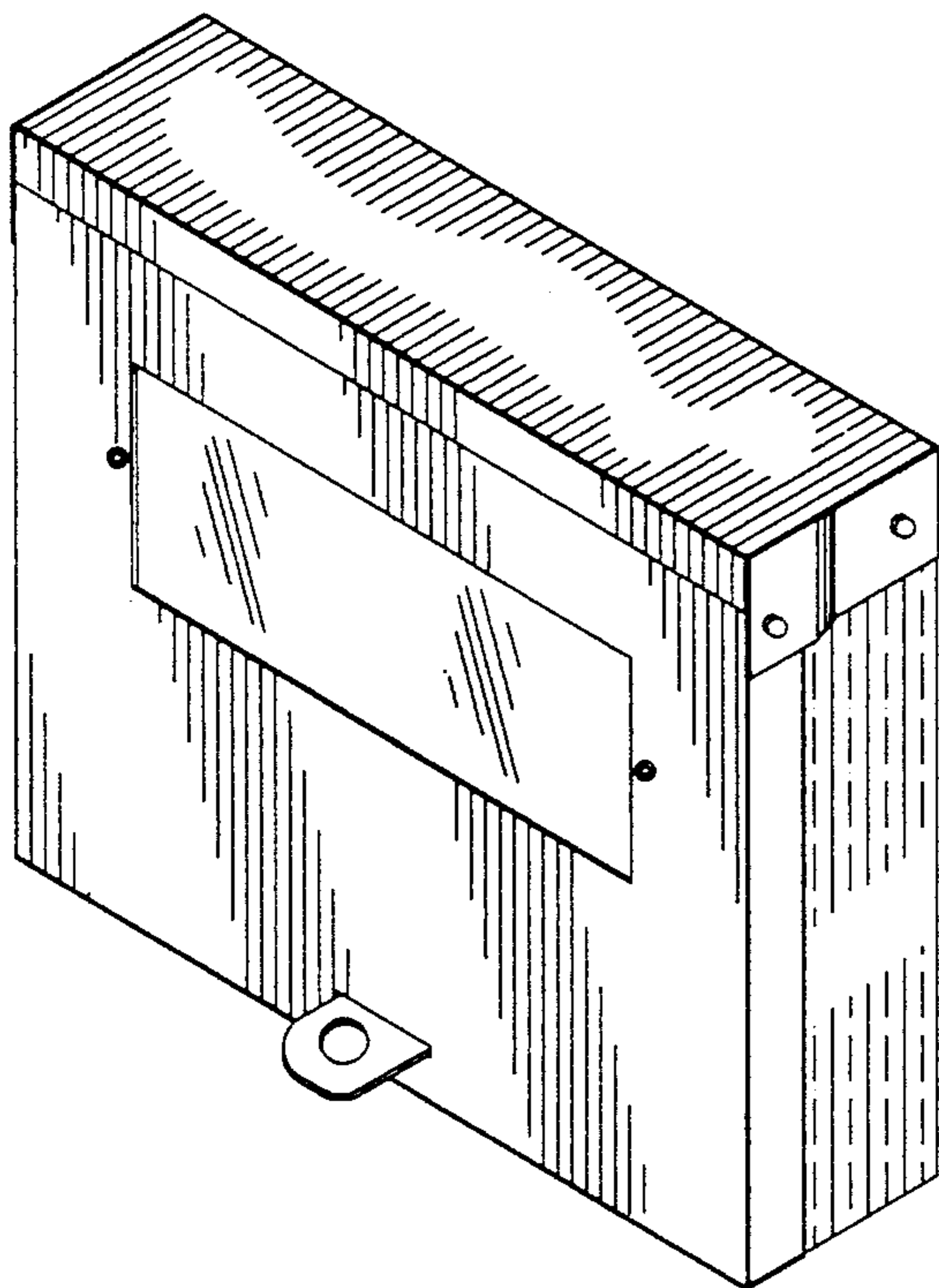
FIG. 3 is a right side elevational view thereof;

FIG. 4 is a top plan view thereof;

FIG. 5 is a bottom plan view thereof;

FIG. 6 is a top, front, and right side perspective view thereof; and,

FIG. 7 is a top, rear, and left side perspective view thereof.



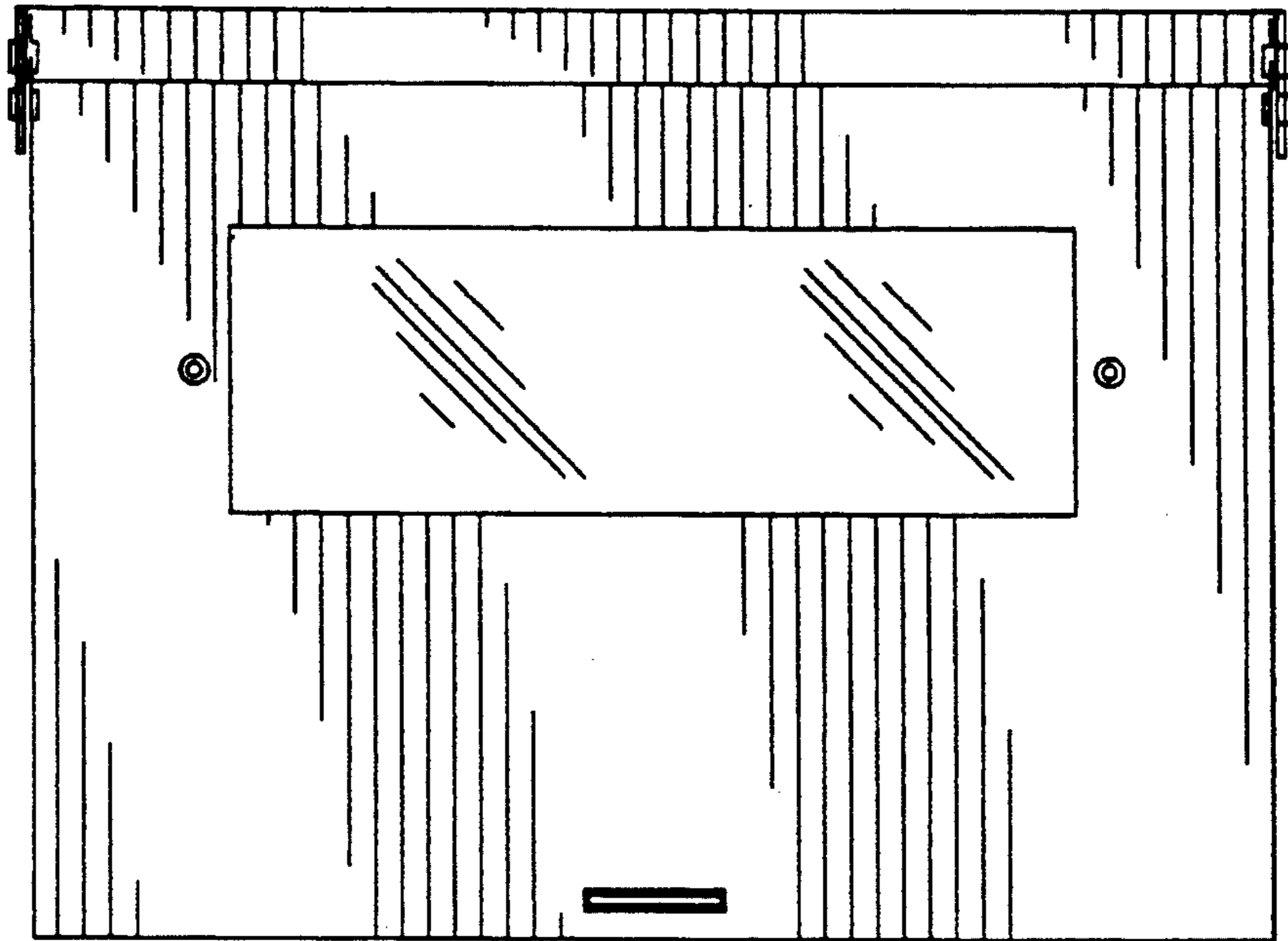


FIG. #1

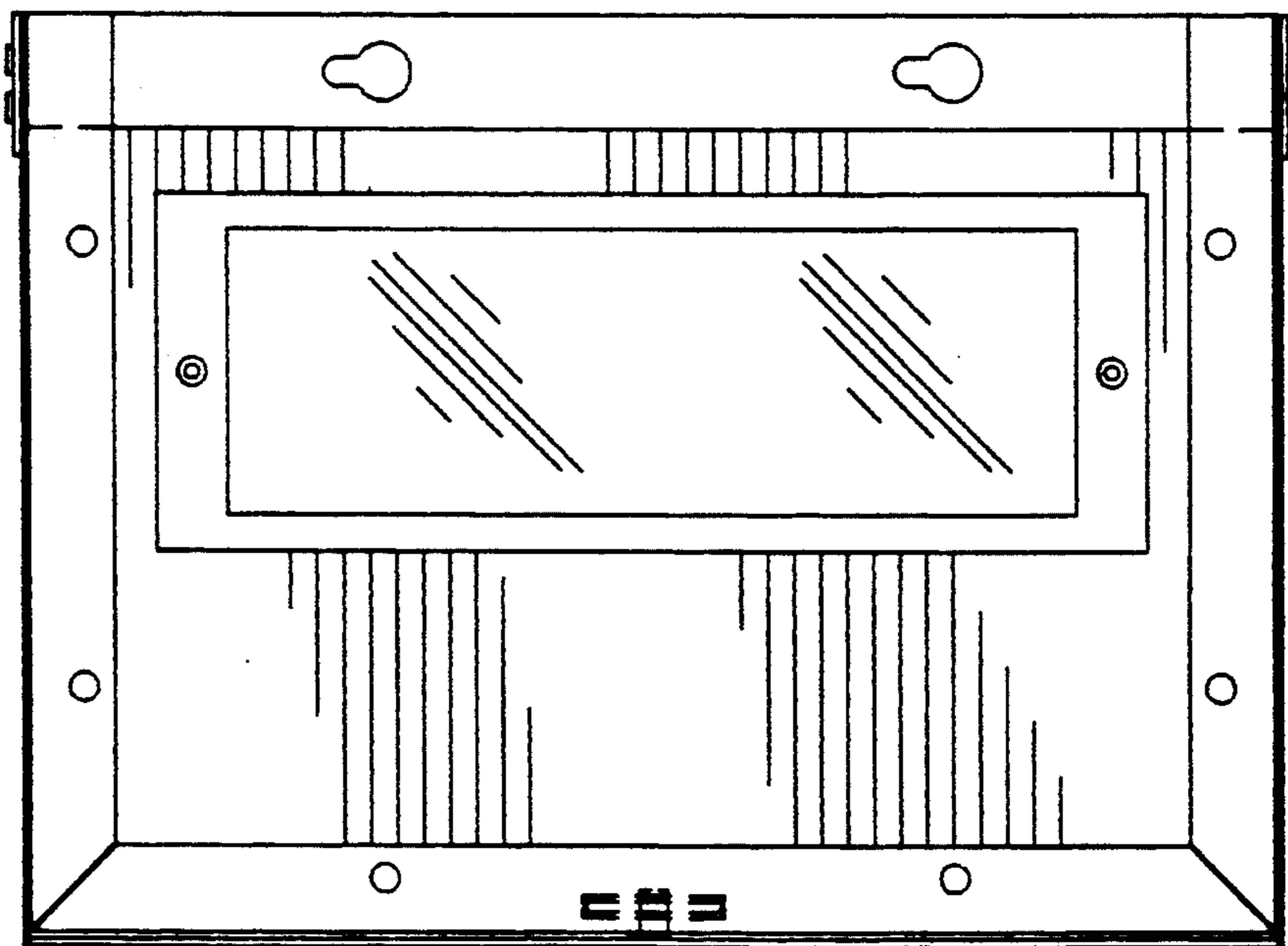


FIG. #2

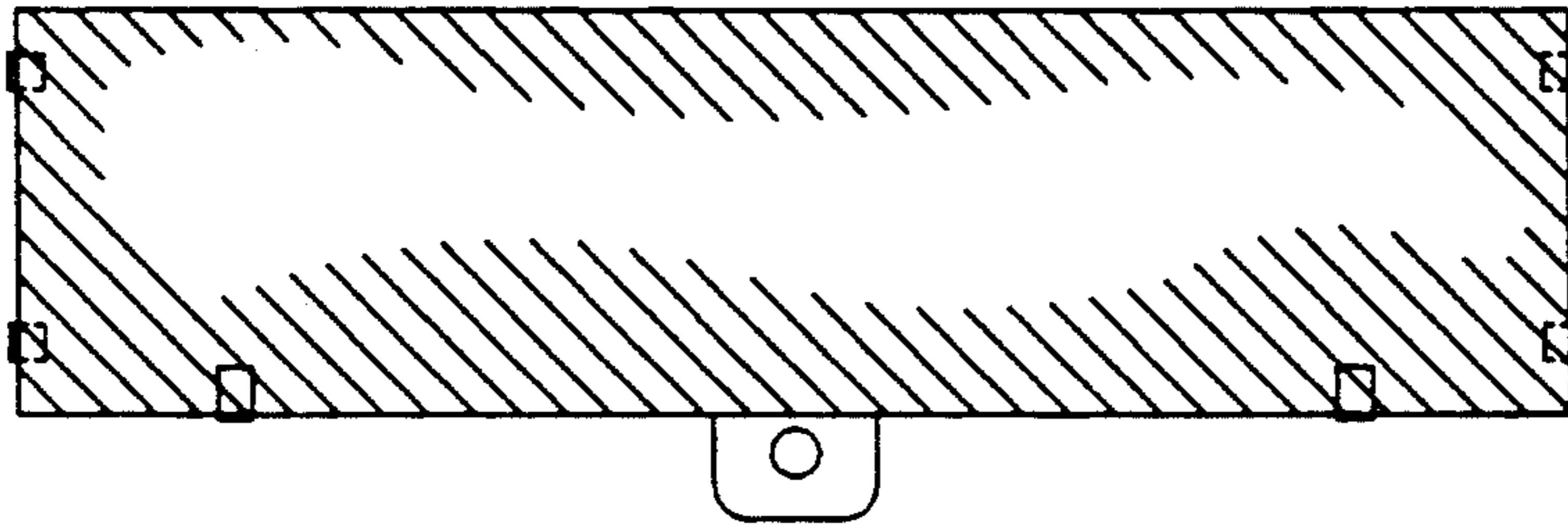


FIG. #4

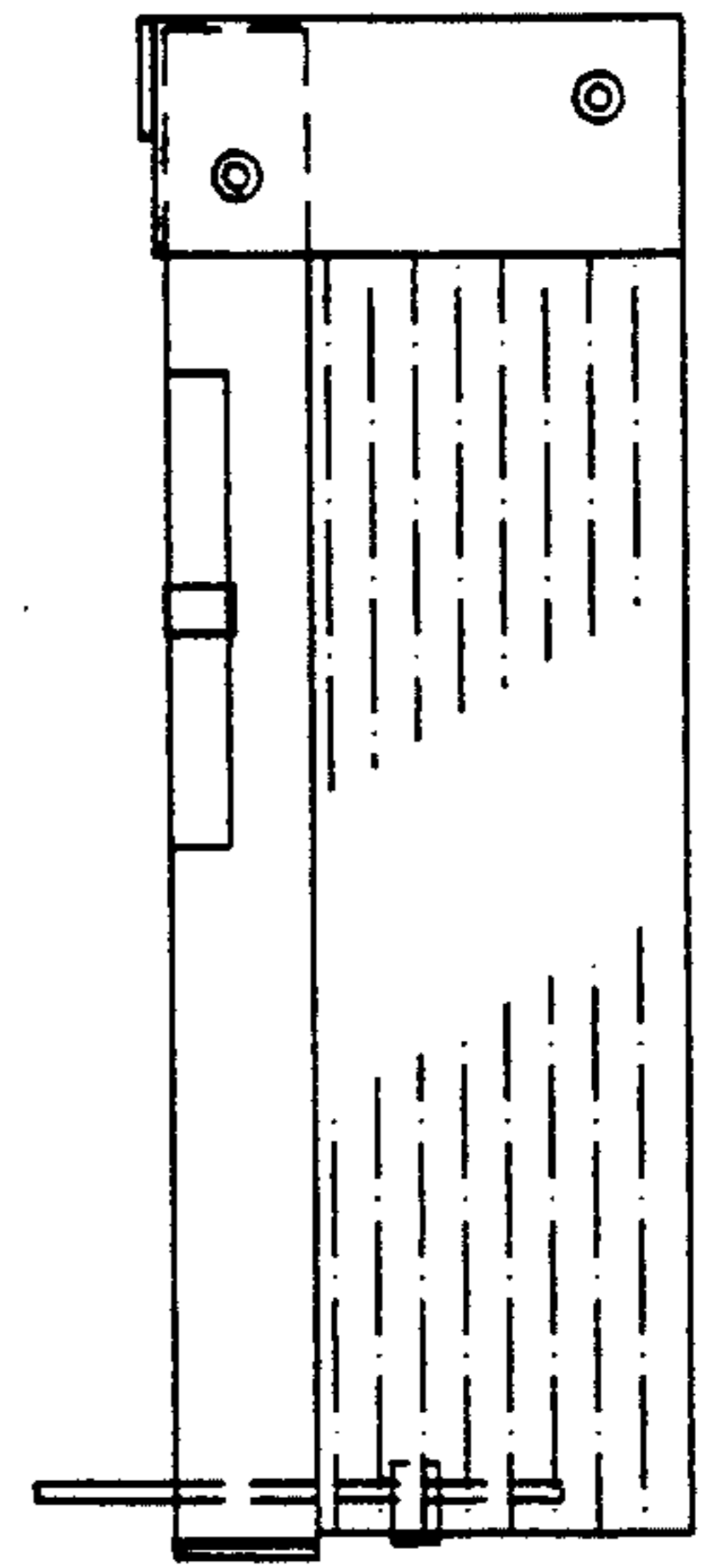


FIG. #3

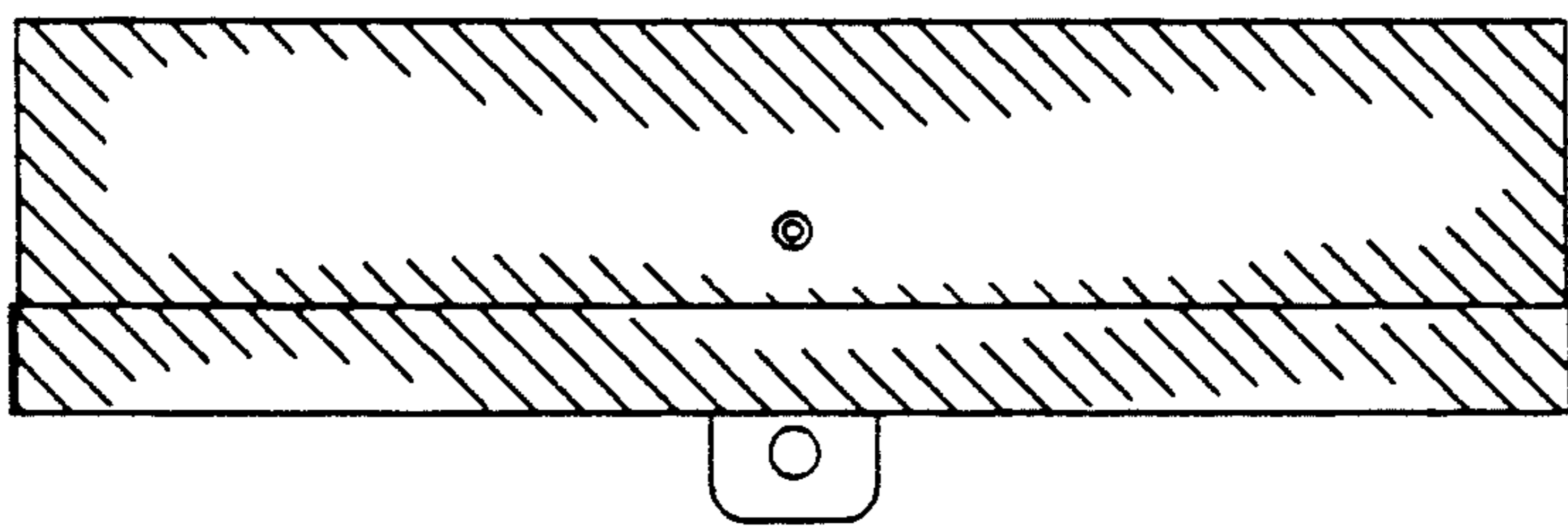


FIG. #5

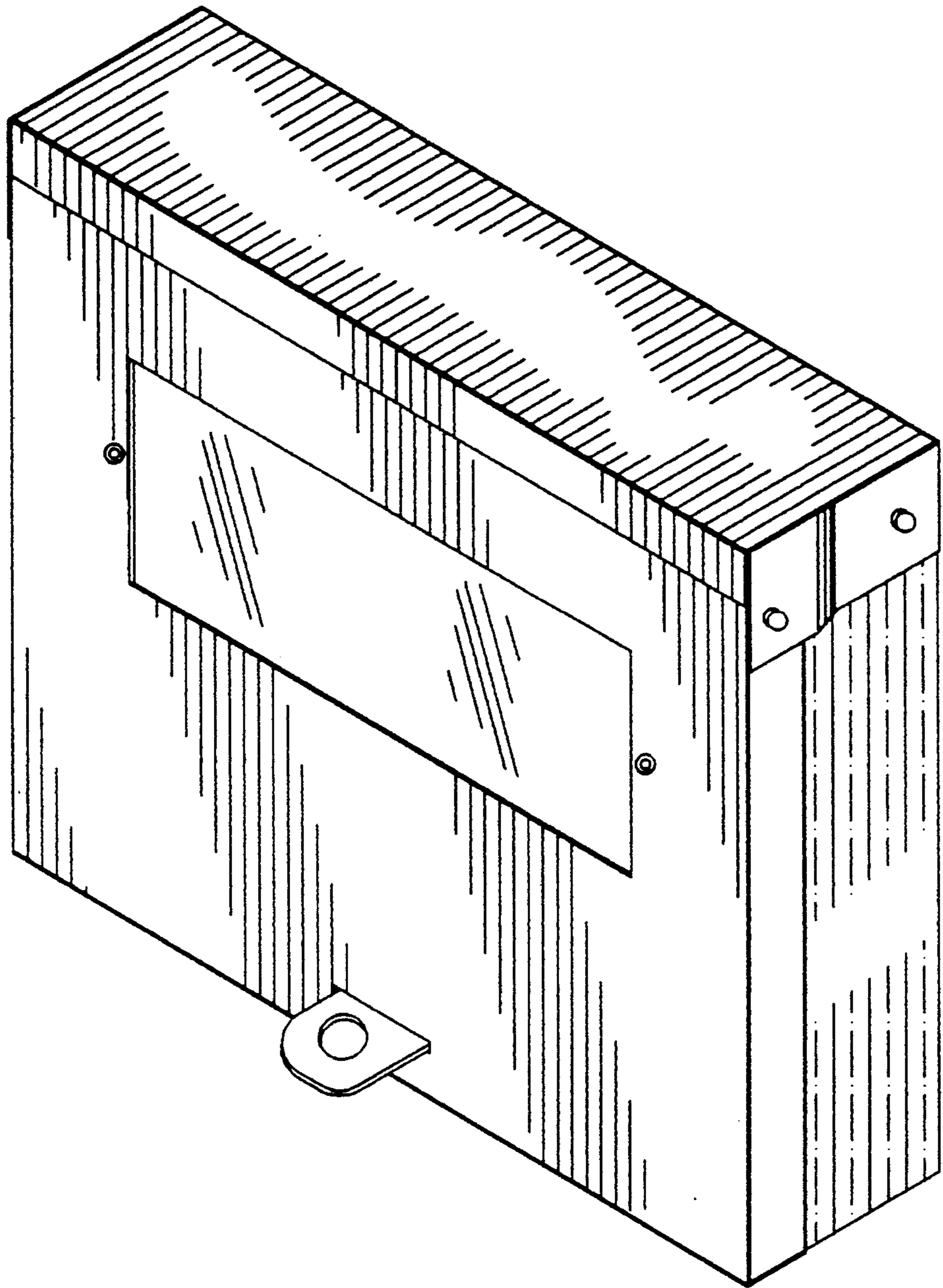


FIG. #6

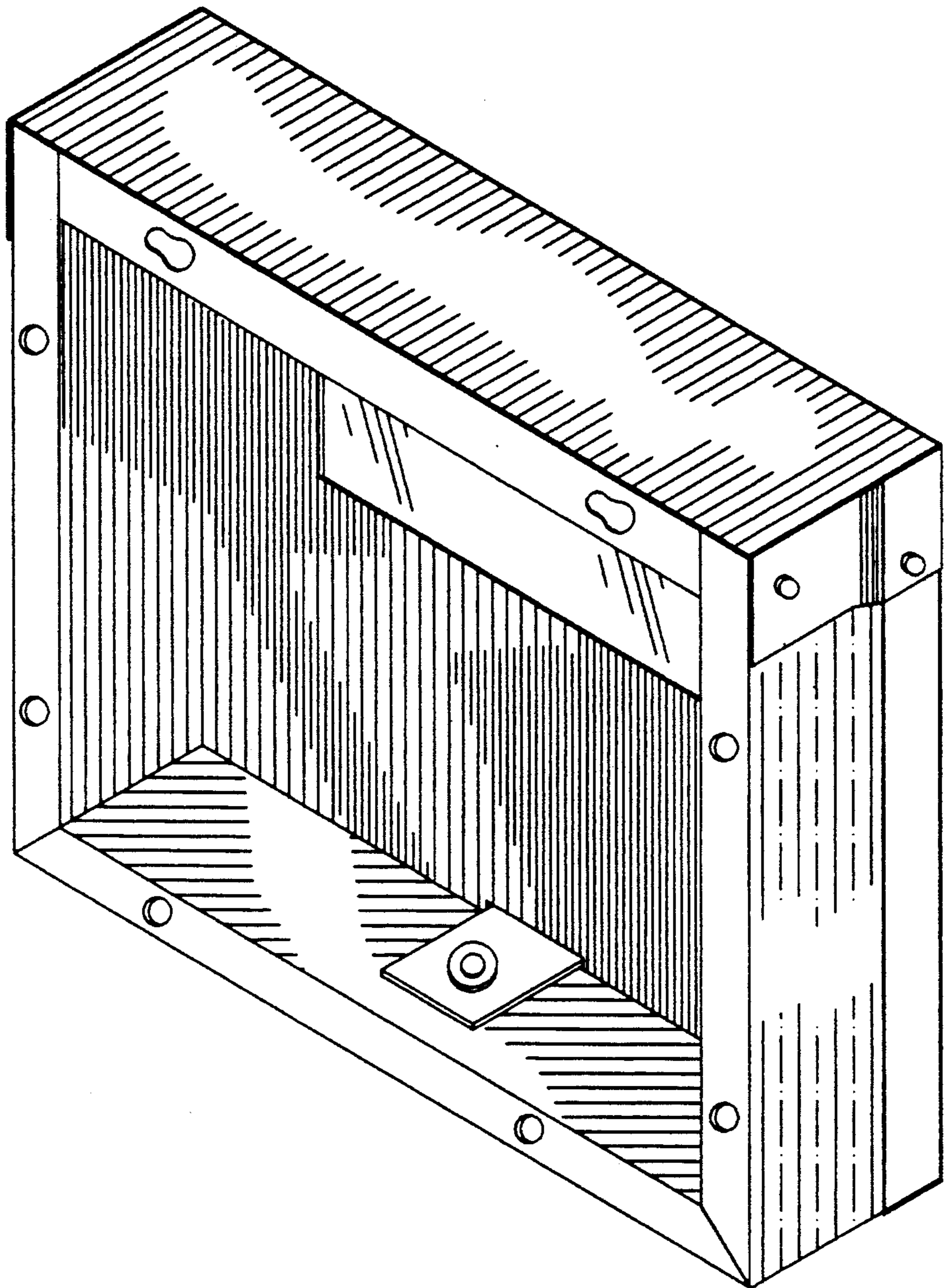


FIG. #7