



US00D347191S

United States Patent [19]

[11] Patent Number: **Des. 347,191**

Kinney et al.

[45] Date of Patent: **** May 24, 1994**

[54] **INDICATOR FLAG BUOY FOR DIVERS**

[76] Inventors: **Todd A. Kinney**, 131 Wighill Rd., Haddam, Conn. 06438; **Kenneth J. Wynkoop**, 3 INA Blvd., Waterford, Conn. 06385

[**] Term: **14 Years**

[21] Appl. No.: **9,083**

[22] Filed: **Jun. 4, 1993**

[52] U.S. Cl. **D10/107**

[58] Field of Search 116/26, 107; 441/1, 441/2, 6, 7, 9, 11, 12, 13, 20, 21, 30; 40/124, 212; D10/104, 107, 109, 121

[56] **References Cited**

U.S. PATENT DOCUMENTS

D. 63,796 1/1924 Mulholland D10/107
D. 181,102 10/1957 Kurt D10/107

D. 195,796 7/1963 Christiansen D10/107
D. 248,840 8/1978 Aesch, Sr. et al. D10/107
D. 291,289 8/1987 Zeo D10/107
3,180,639 4/1965 Cotler 40/124

Primary Examiner—Wallace R. Burke
Assistant Examiner—Marcus Jackson
Attorney, Agent, or Firm—Hugh E. Smith

[57] **CLAIM**

The ornamental design for a indicator flag buoy for divers, as shown and described.

DESCRIPTION

FIG. 1 is a front elevational view of the indicator flag buoy for divers showing my new design; FIG. 2 is a rear elevational view thereof; FIG. 3 is a left side elevational view thereof; FIG. 4 is a right side elevational view thereof; FIG. 5 is a top plan view thereof; FIG. 6 is a bottom plan view thereof; and, FIG. 7 is an isometric view thereof.

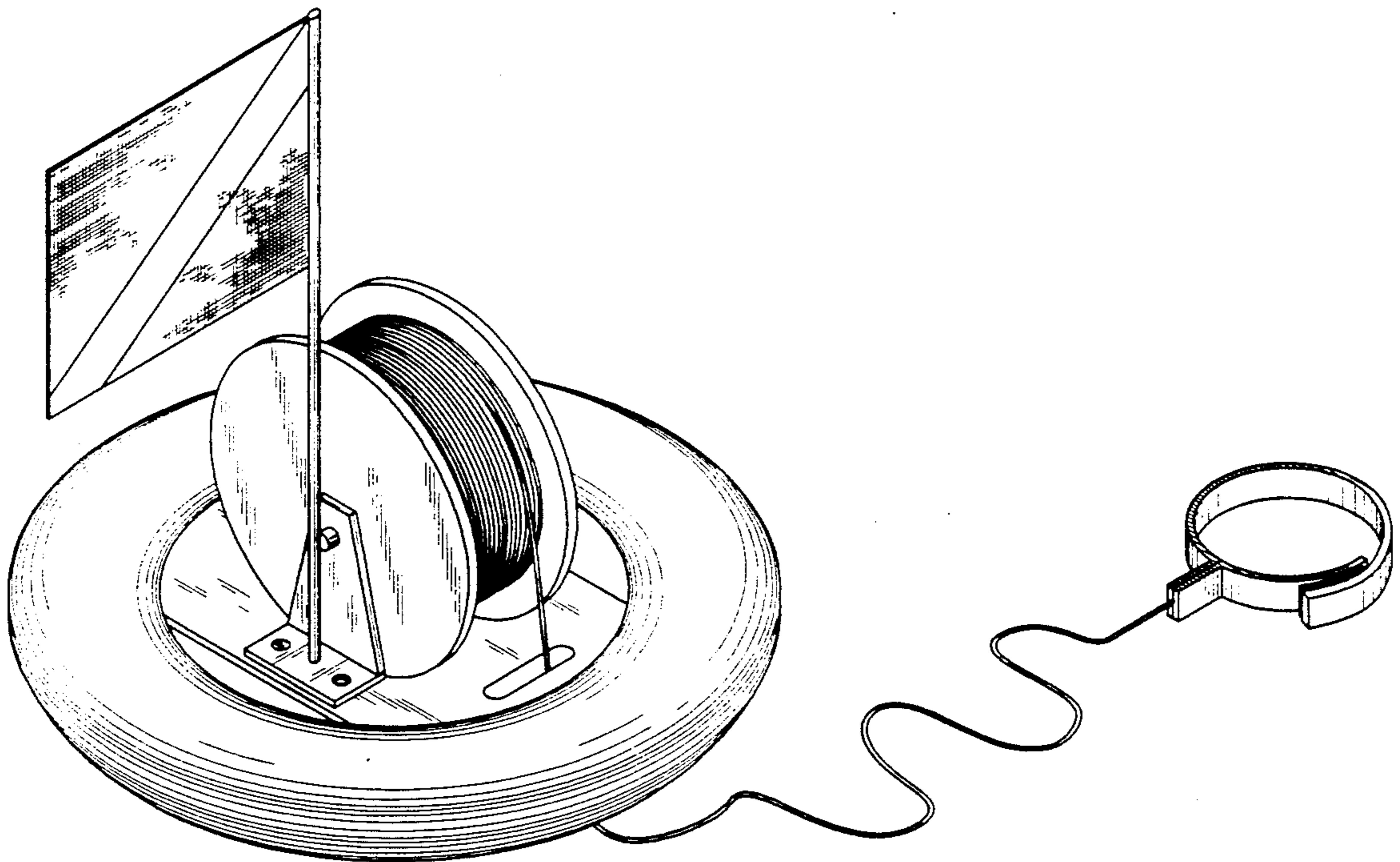


FIG. 1

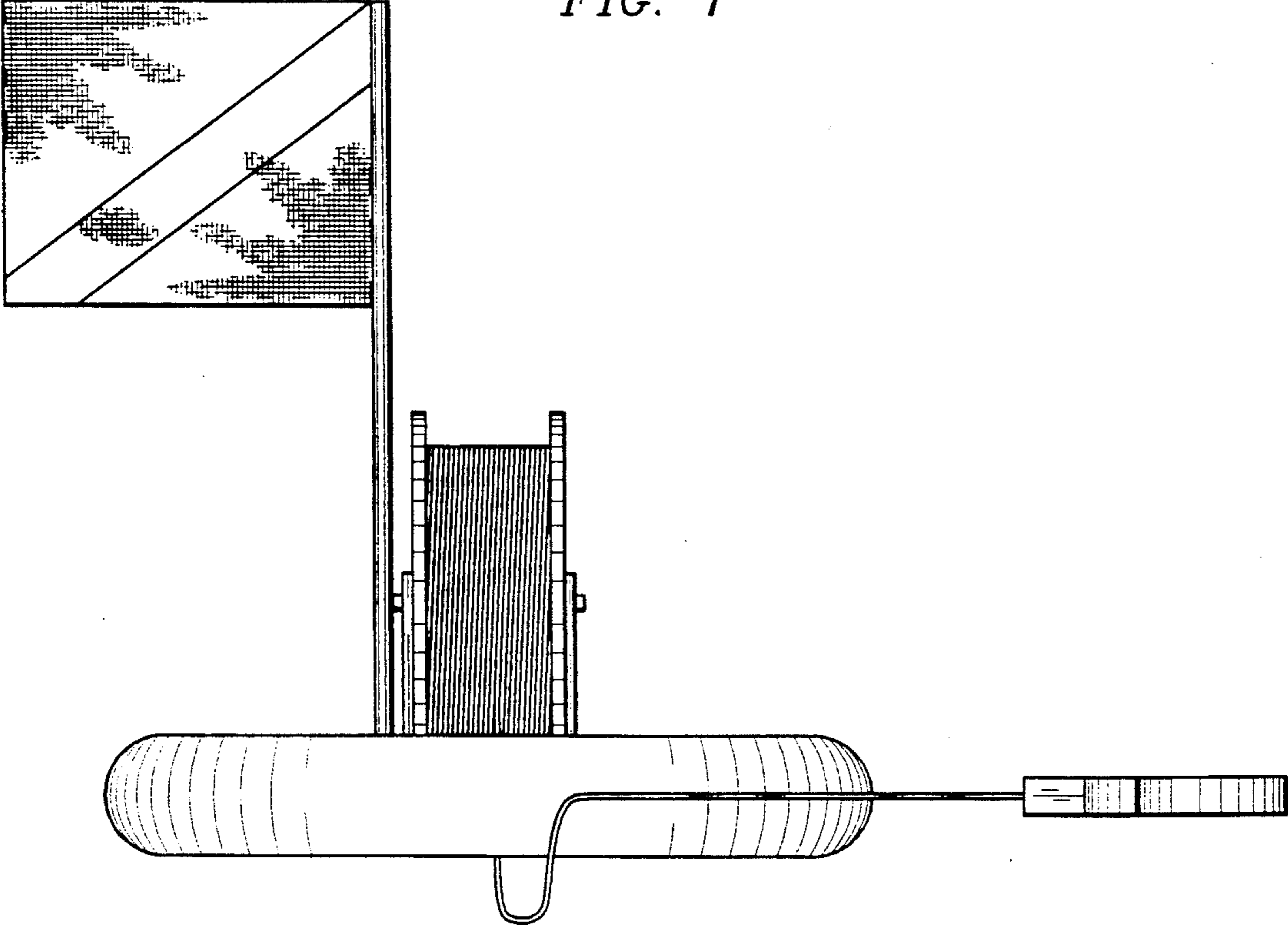


FIG. 2

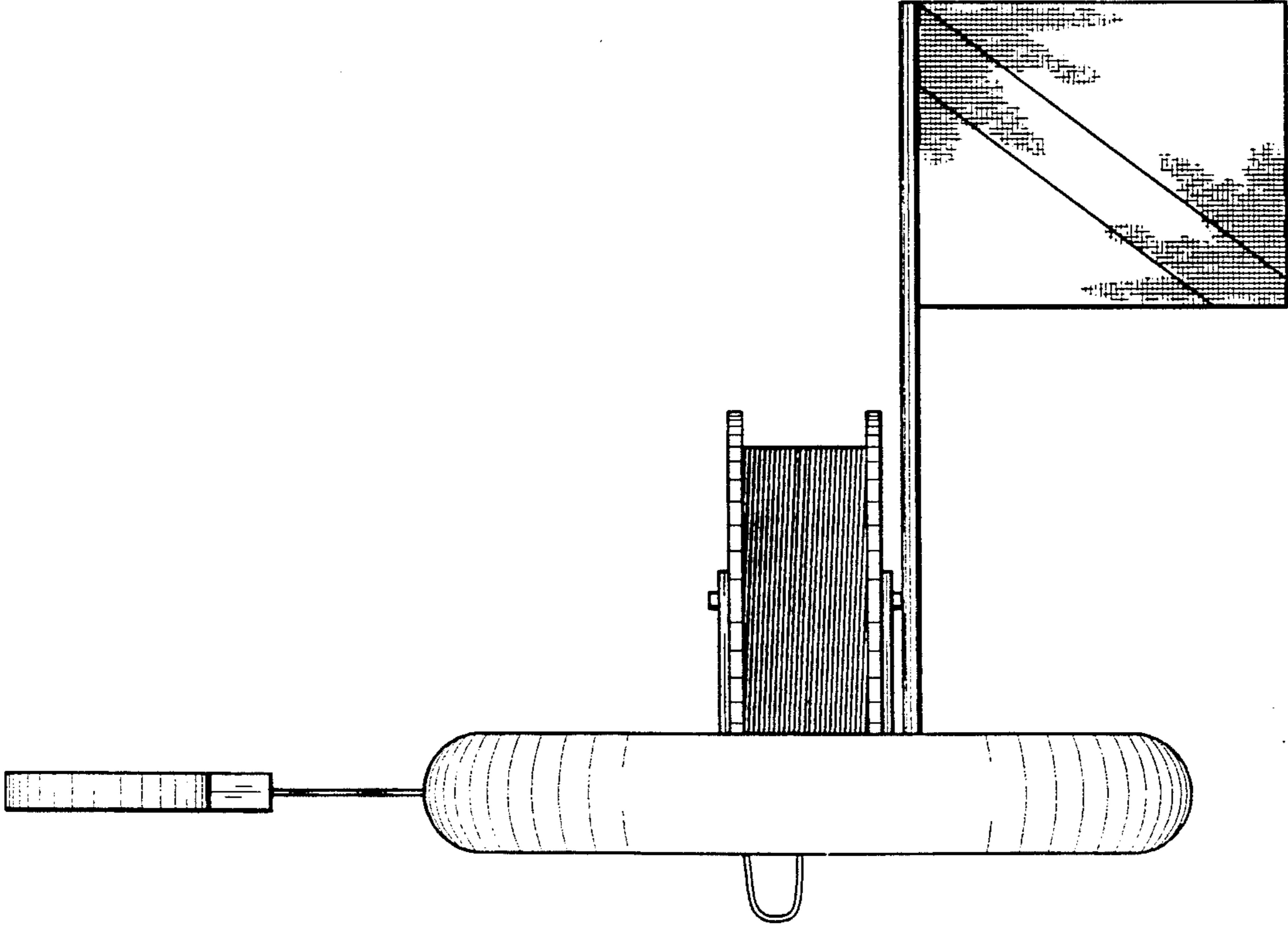


FIG. 3

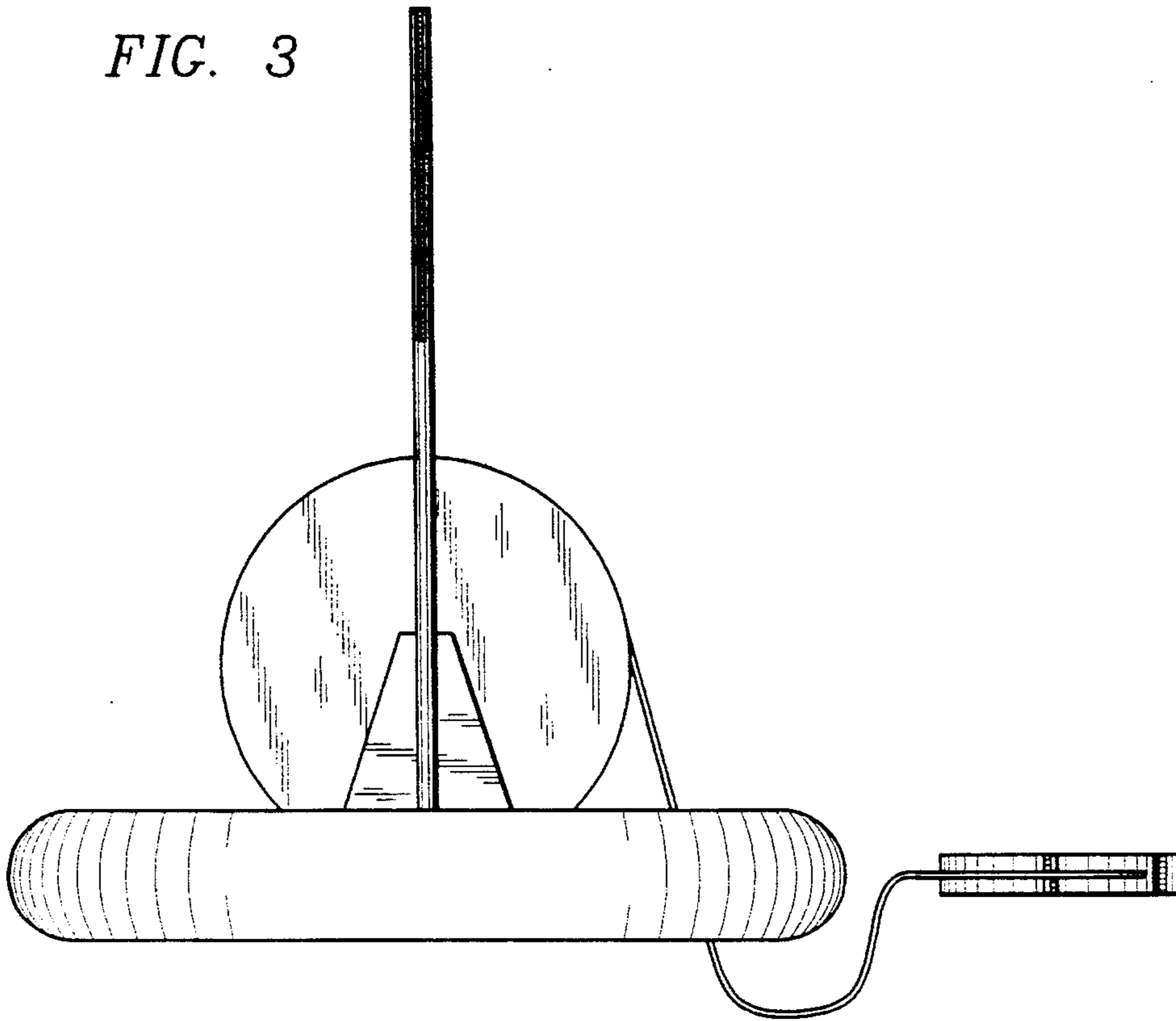


FIG. 4

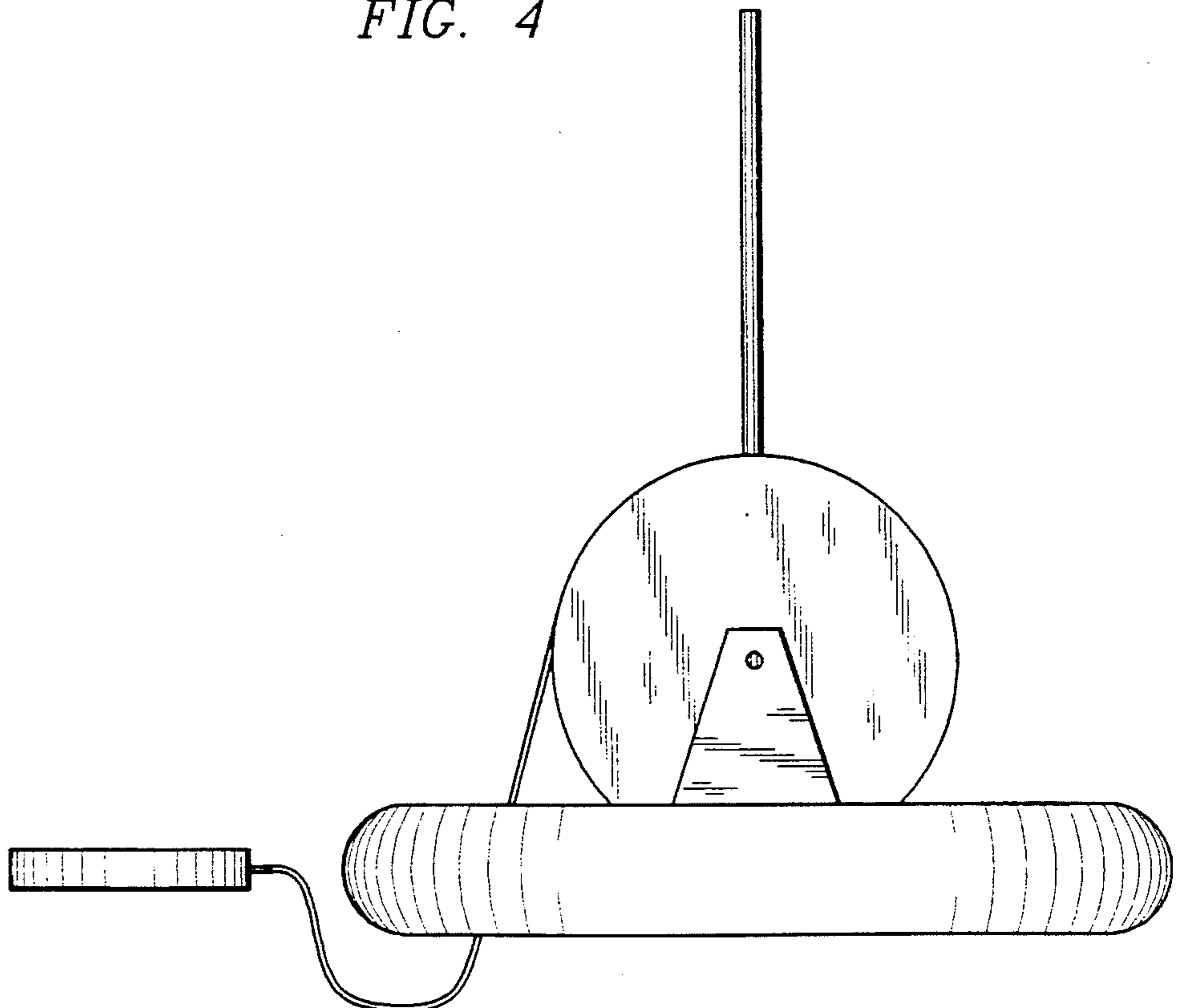


FIG. 5

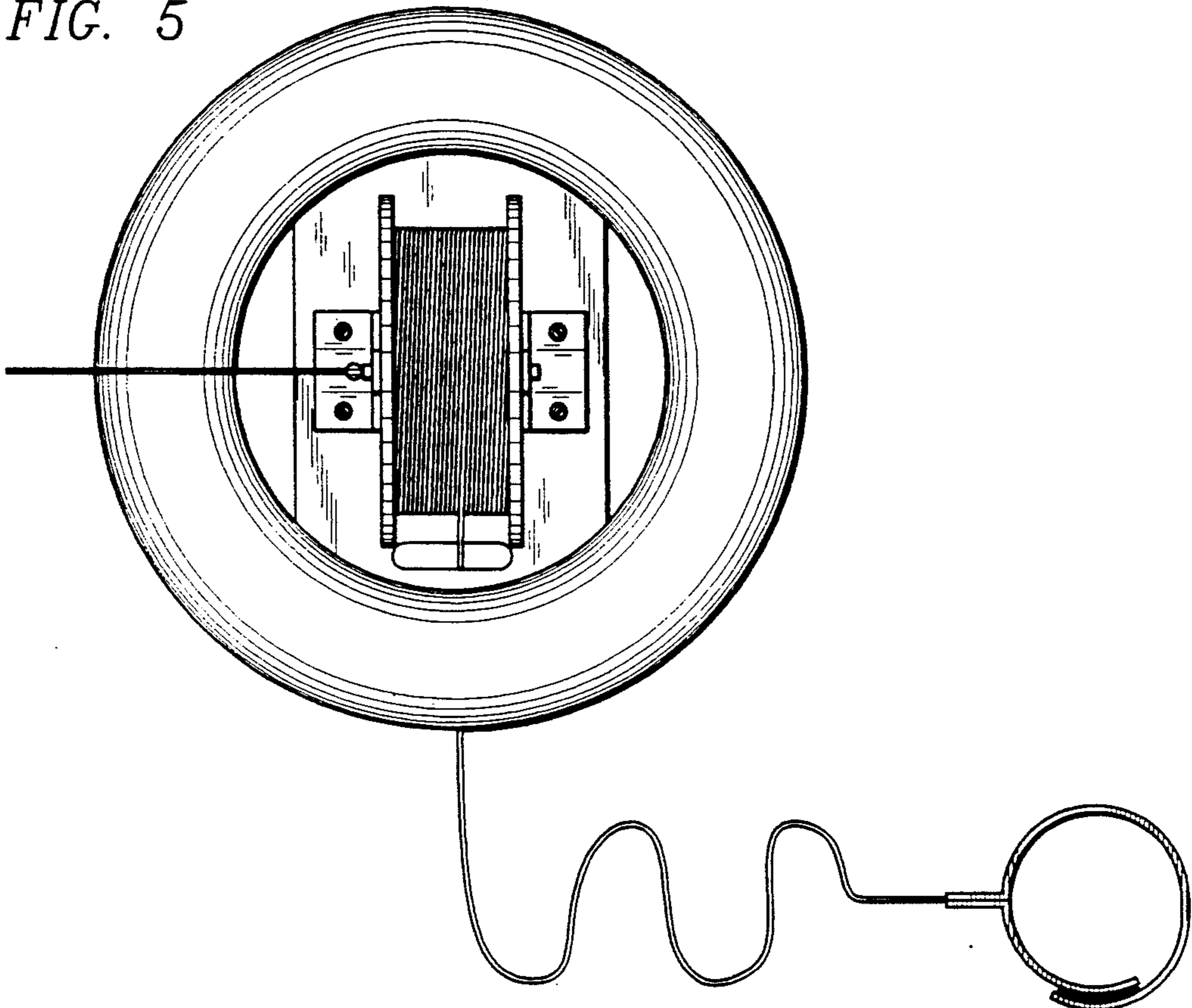


FIG. 6

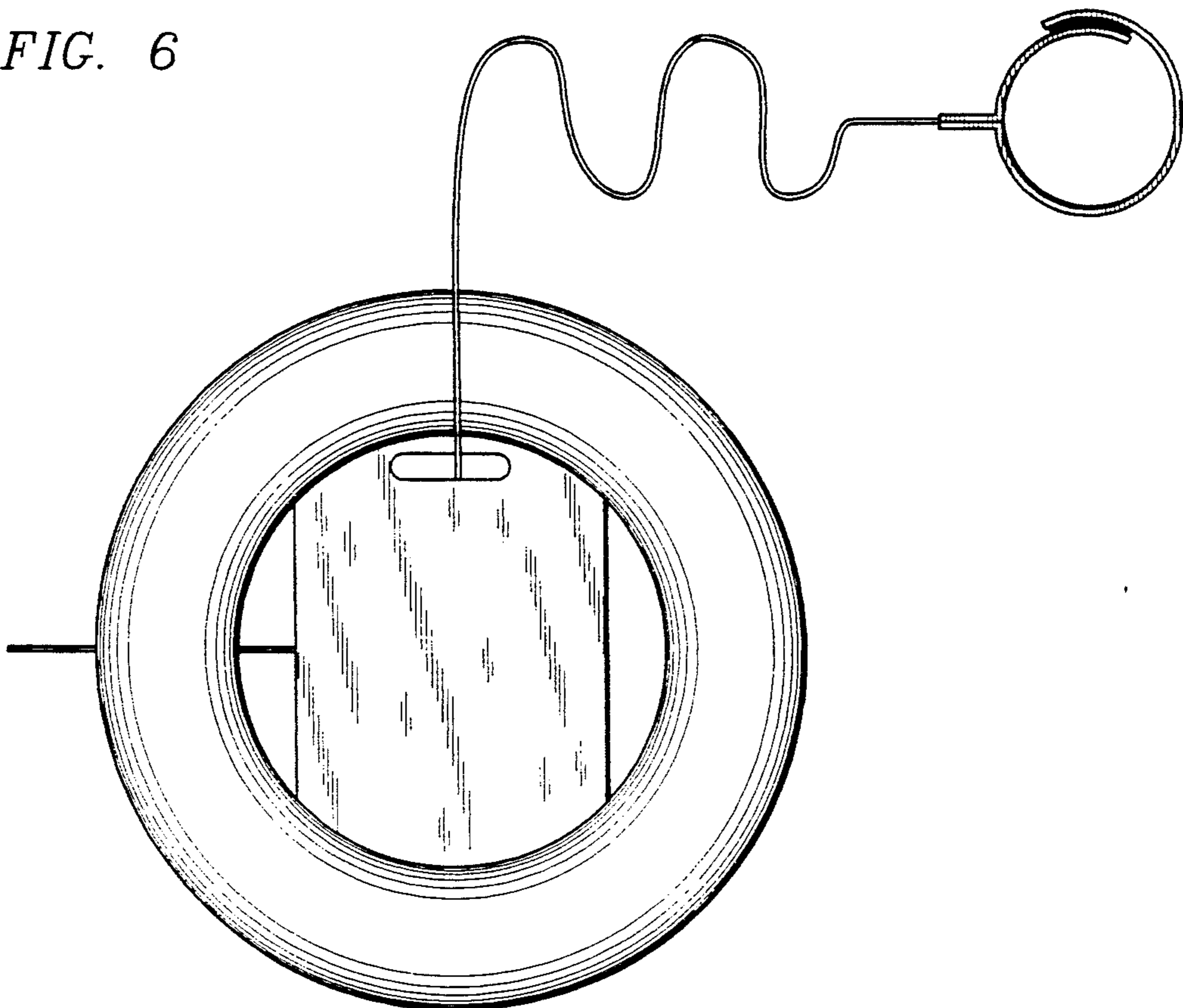


FIG. 7

