



US00D347189S

United States Patent [19]

[11] Patent Number: **Des. 347,189**

Luechinger et al.

[45] Date of Patent: **** May 24, 1994**

[54] **WEIGHING SCALE WITH WINDSCREEN HOUSING**

4,700,793 10/1987 Luechinger .
4,798,250 1/1989 Knothe et al. D10/91 X
5,058,692 10/1991 Melcher et al. 177/181

[75] Inventors: **Paul Luechinger, Uster; Peter Handlbauer, La Chaux-de-Fonds; Rémy C. Jacquet, Le Locle; Yves Marmier; William Kohler, both of La Chaux-de-Fonds; Fulvio Honegger, Montezillon, all of Switzerland**

FOREIGN PATENT DOCUMENTS

8803709 12/1988 Fed. Rep. of Germany .
216035 4/1987 World Int. Prop. O. 177/181

[73] Assignee: **Mettler-Toledo AG, Greifensee, Switzerland**

Primary Examiner—Alan P. Douglas
Assistant Examiner—Antoine D. Davis
Attorney, Agent, or Firm—Laubscher & Laubscher

[**] Term: **14 Years**

[57] CLAIM

The ornamental design for a weighing scale with wind-screen housing, as shown.

[21] Appl. No.: **6,773**

DESCRIPTION

[22] Filed: **Apr. 7, 1993**

[52] U.S. Cl. **D10/91**

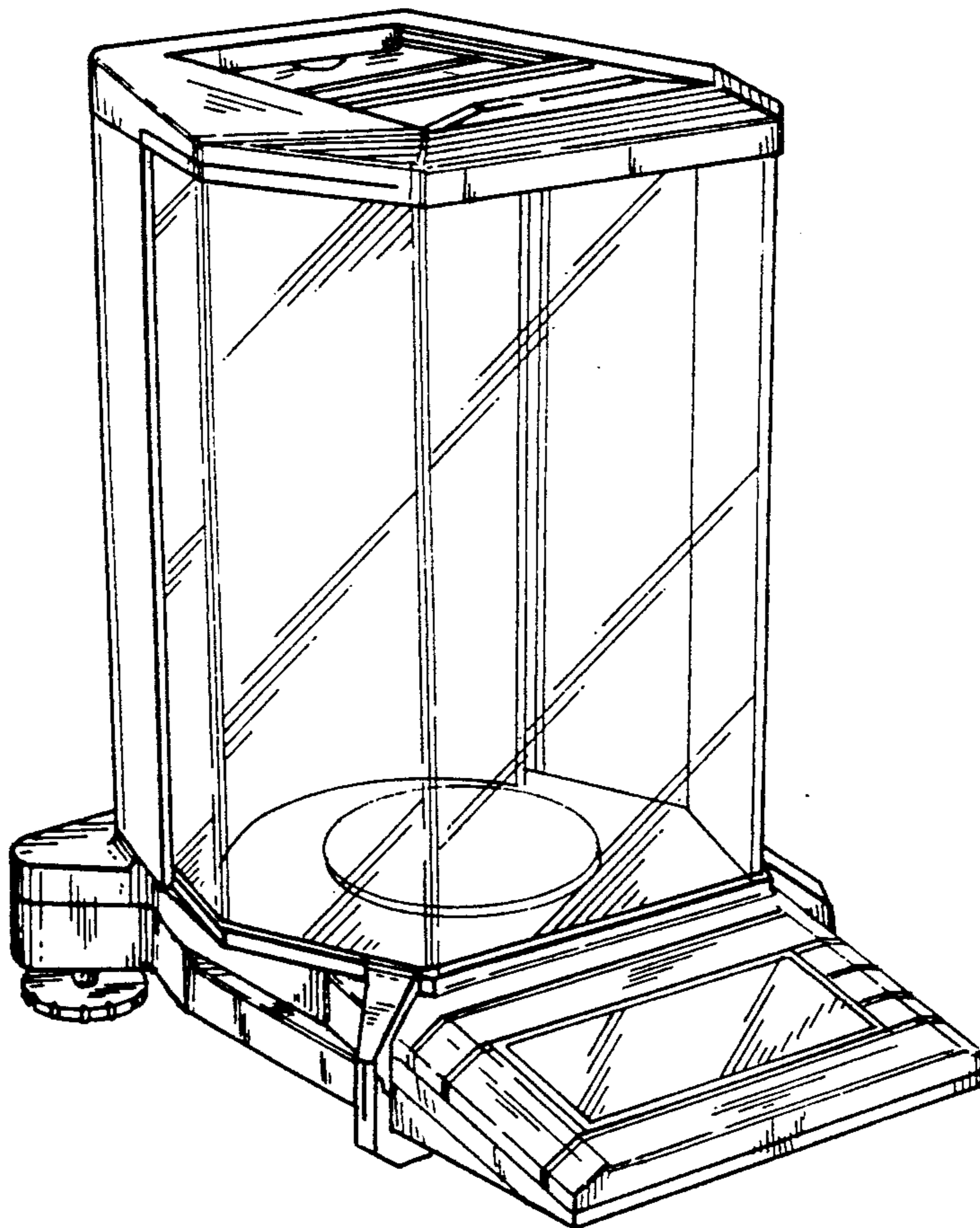
[58] Field of Search 177/124, 180, 181, 182,
177/238, 239, 240, 241; D10/91

FIG. 1 is a front perspective view of our design for a weighing scale with windscreen housing;
FIG. 2 is a left side perspective view of the apparatus of FIG. 1;
FIG. 3 is a front elevational view of the apparatus of FIG. 1;
FIG. 4 is a rear elevational view of the apparatus of FIG. 1;
FIG. 5 is a top view of the apparatus of FIG. 1; and,
FIG. 6 is a bottom view of the apparatus of FIG. 1.

[56] References Cited

U.S. PATENT DOCUMENTS

D. 296,307 6/1988 Knothe et al. D10/91
D. 309,720 8/1990 Handlebauer et al. D10/91
4,664,207 5/1987 Knothe et al. 177/181



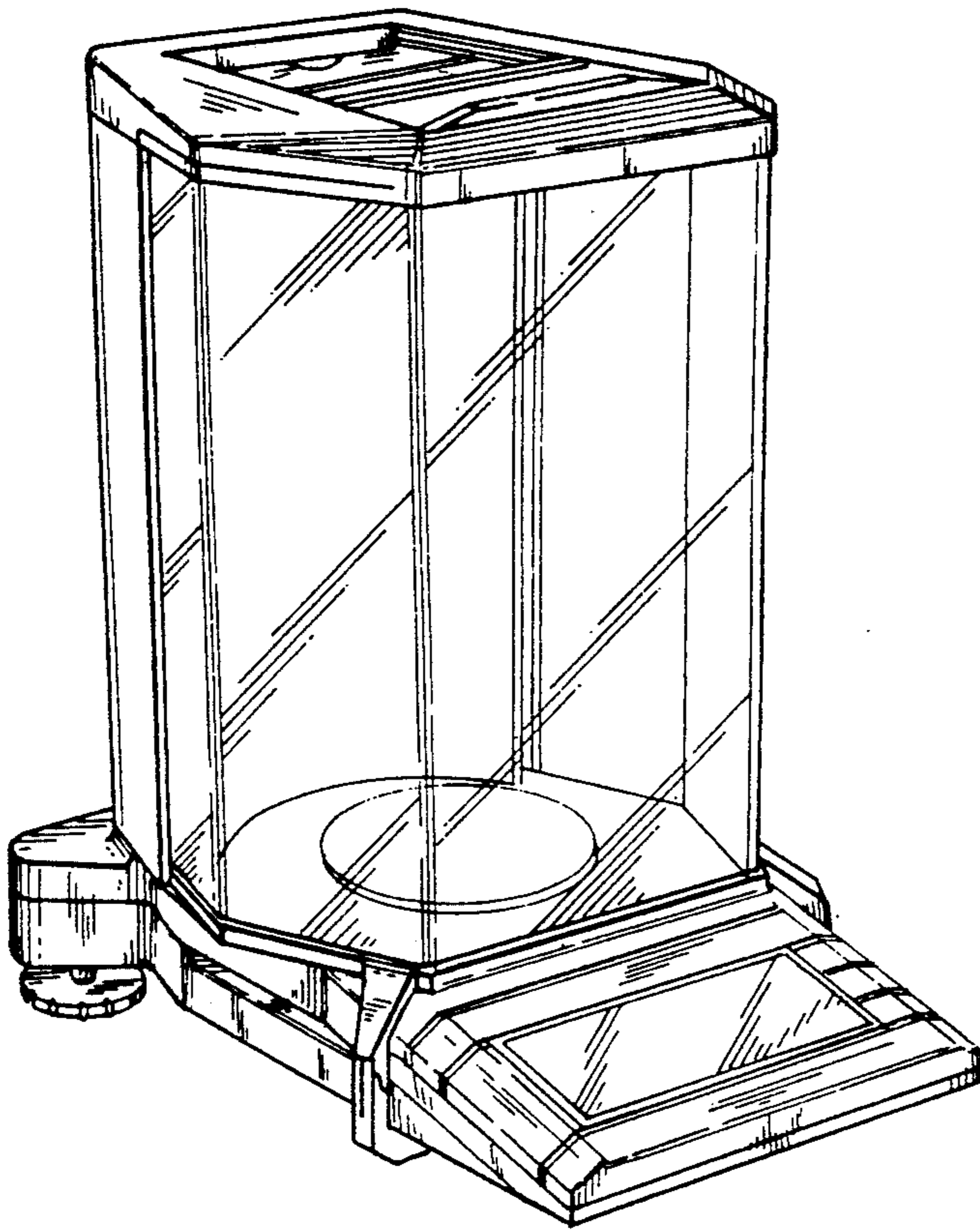


FIG. 1

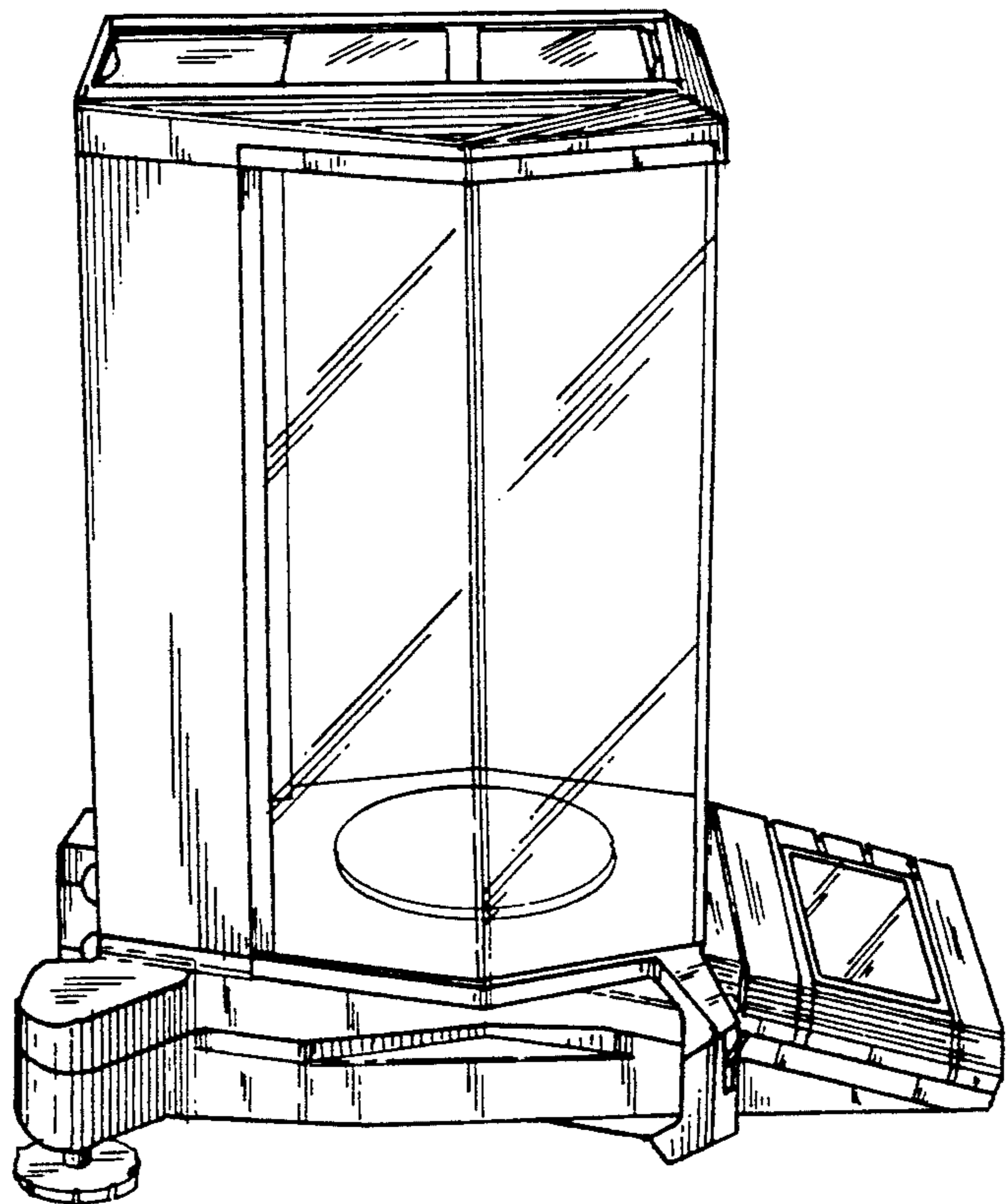


FIG. 2

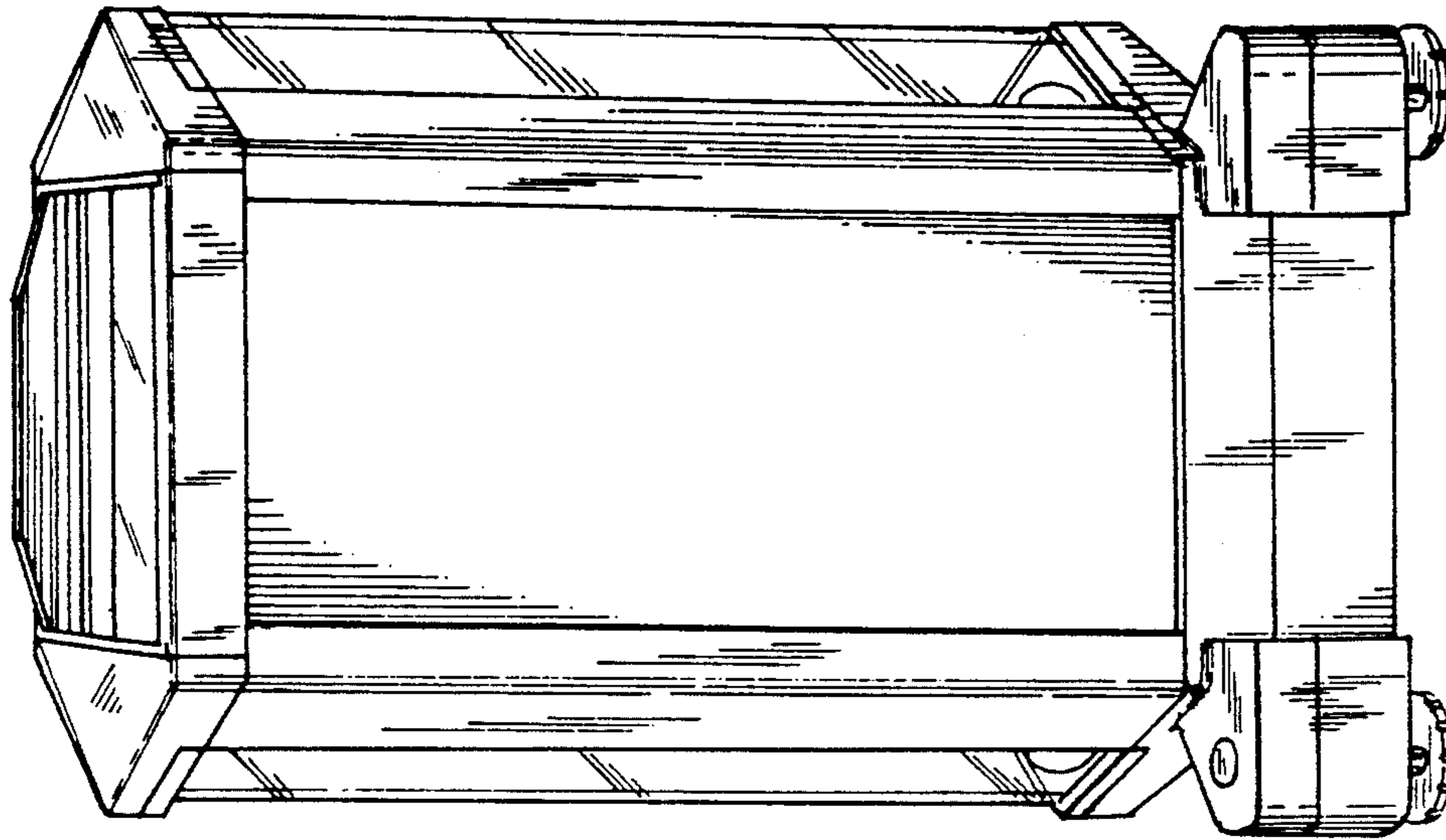


FIG. 4

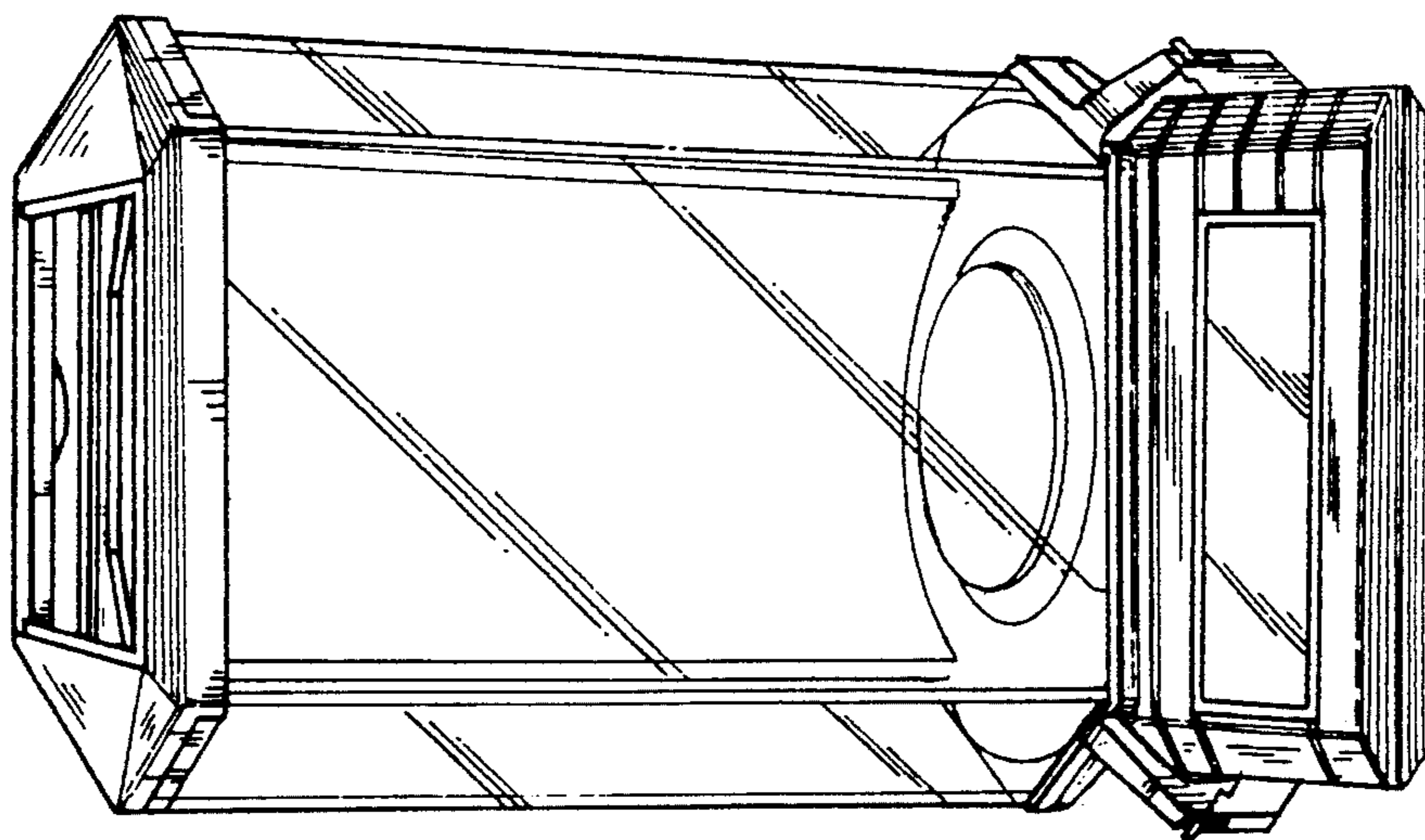


FIG. 3

FIG. 5

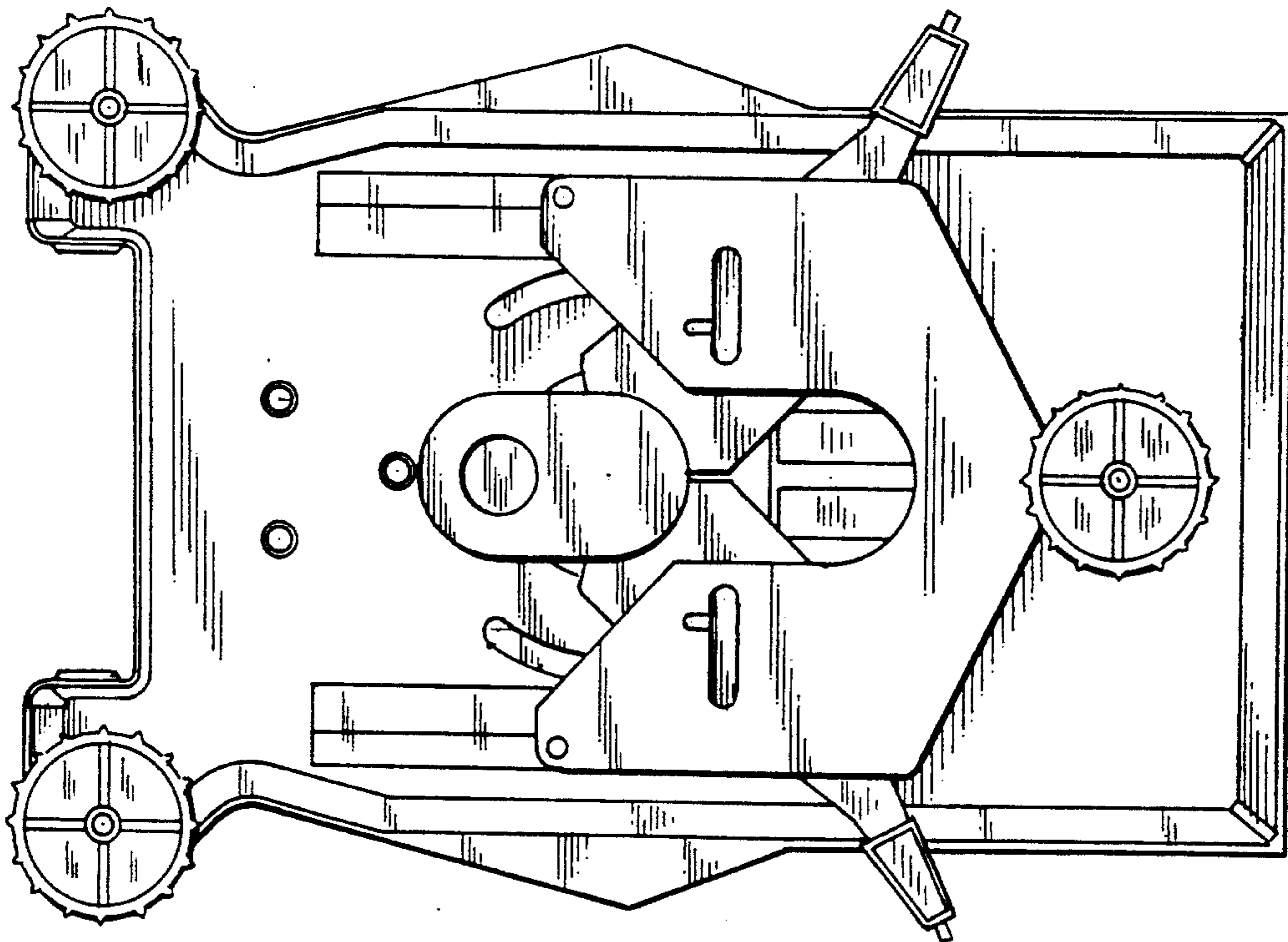
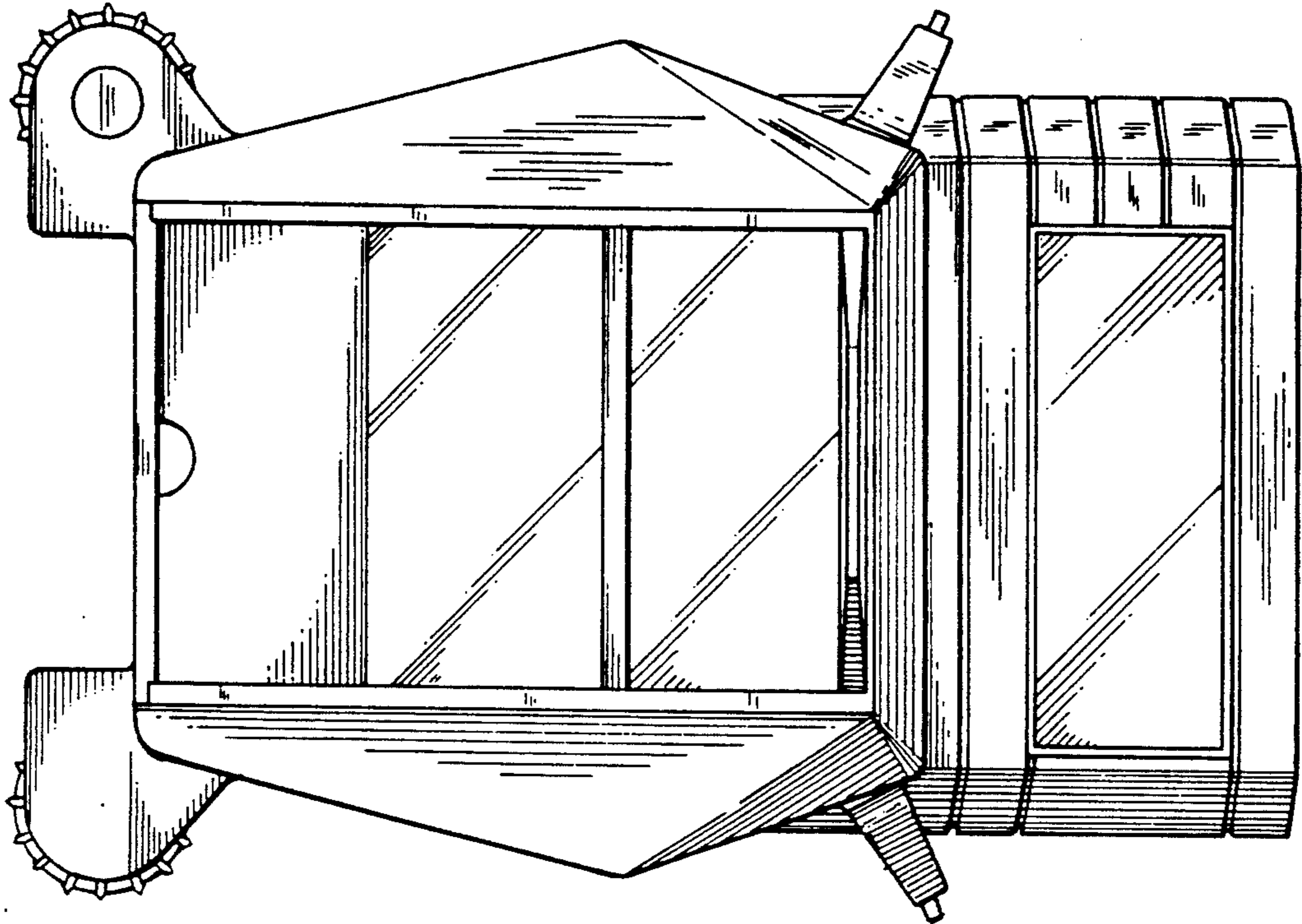


FIG. 6