



US00D347188S

United States Patent [19] Grimes

[11] Patent Number: **Des. 347,188**

[45] Date of Patent: **** May 24, 1994**

[54] SOIL TEST KIT

4,738,538 4/1988 Hearst D10/81 X

[75] Inventor: **Guy W. Grimes, Tilston Nr. Malpas, United Kingdom**

Primary Examiner—Alan P. Douglas
Assistant Examiner—Antoine D. Davis
Attorney, Agent, or Firm—David I. Roche

[73] Assignee: **Rapitest, Inc., Crystal Lake, Ill.**

[57] **CLAIM**

[**] Term: **14 Years**

The ornamental design for a soil test kit, as shown and described.

[21] Appl. No.: **782,468**

DESCRIPTION

[22] Filed: **Oct. 25, 1991**

[52] U.S. Cl. **D10/81; D10/46**

[58] Field of Search **73/84, 784, 794, 843; 356/402-414; D10/46, 81**

FIG. 1 is a perspective view of a soil test kit embodying my design;

FIG. 2 is a top view thereof;

FIG. 3 is a front elevational view thereof;

FIG. 4 is a right side elevational view thereof;

FIG. 5 is a left side elevational view thereof;

FIG. 6 is a rear view thereof; and,

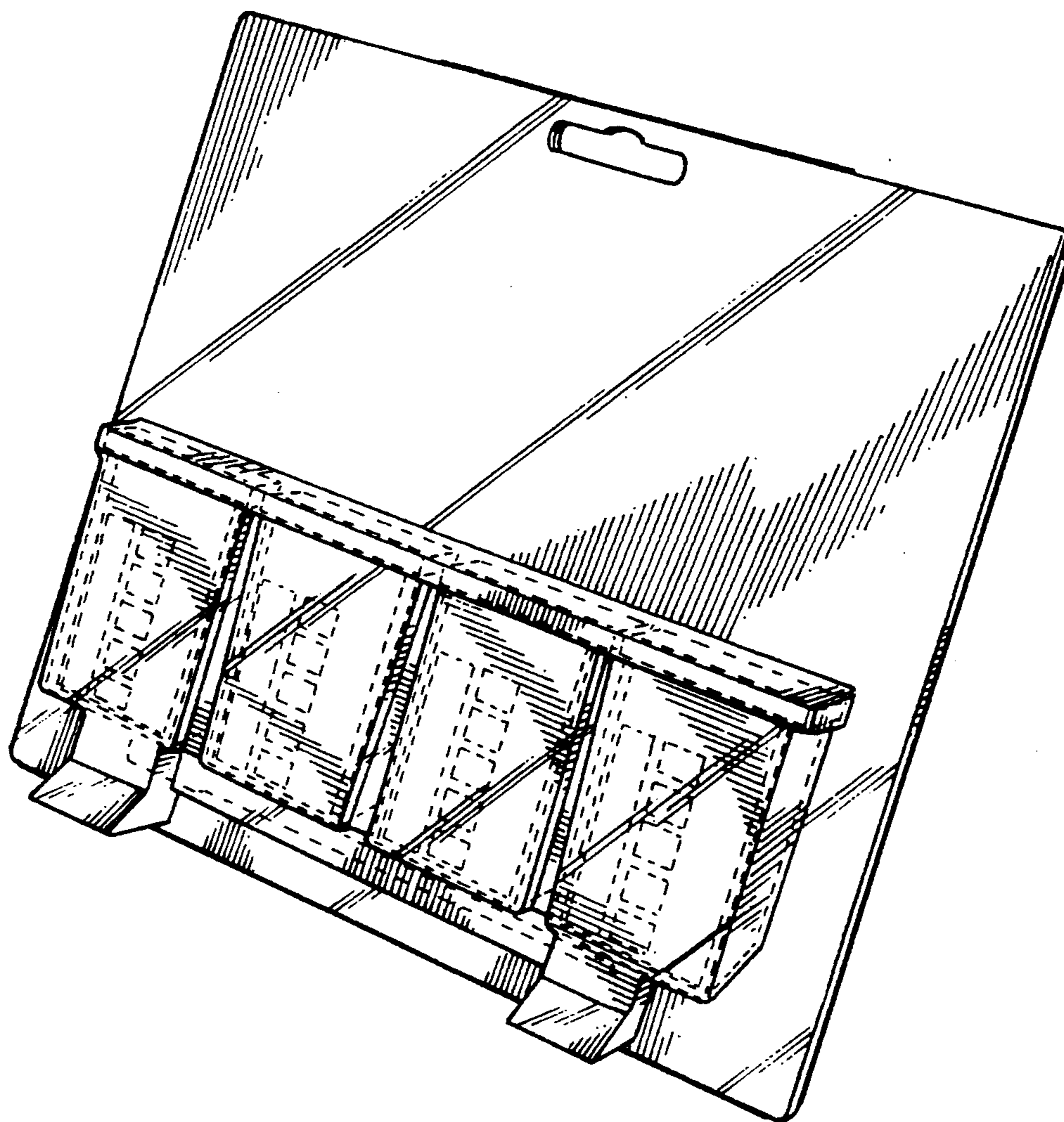
FIG. 7 is a bottom view thereof.

The broken line showing of individual testing units is for illustrative purposes only and forms no part of the claimed design.

[56] **References Cited**

U.S. PATENT DOCUMENTS

D. 251,114	2/1979	Potts	D10/81
D. 308,833	6/1990	Mowka, Jr.	D10/81
D. 361,826	5/1991	Neuman	D10/81
3,381,572	5/1968	Tuwiner	D10/81 X



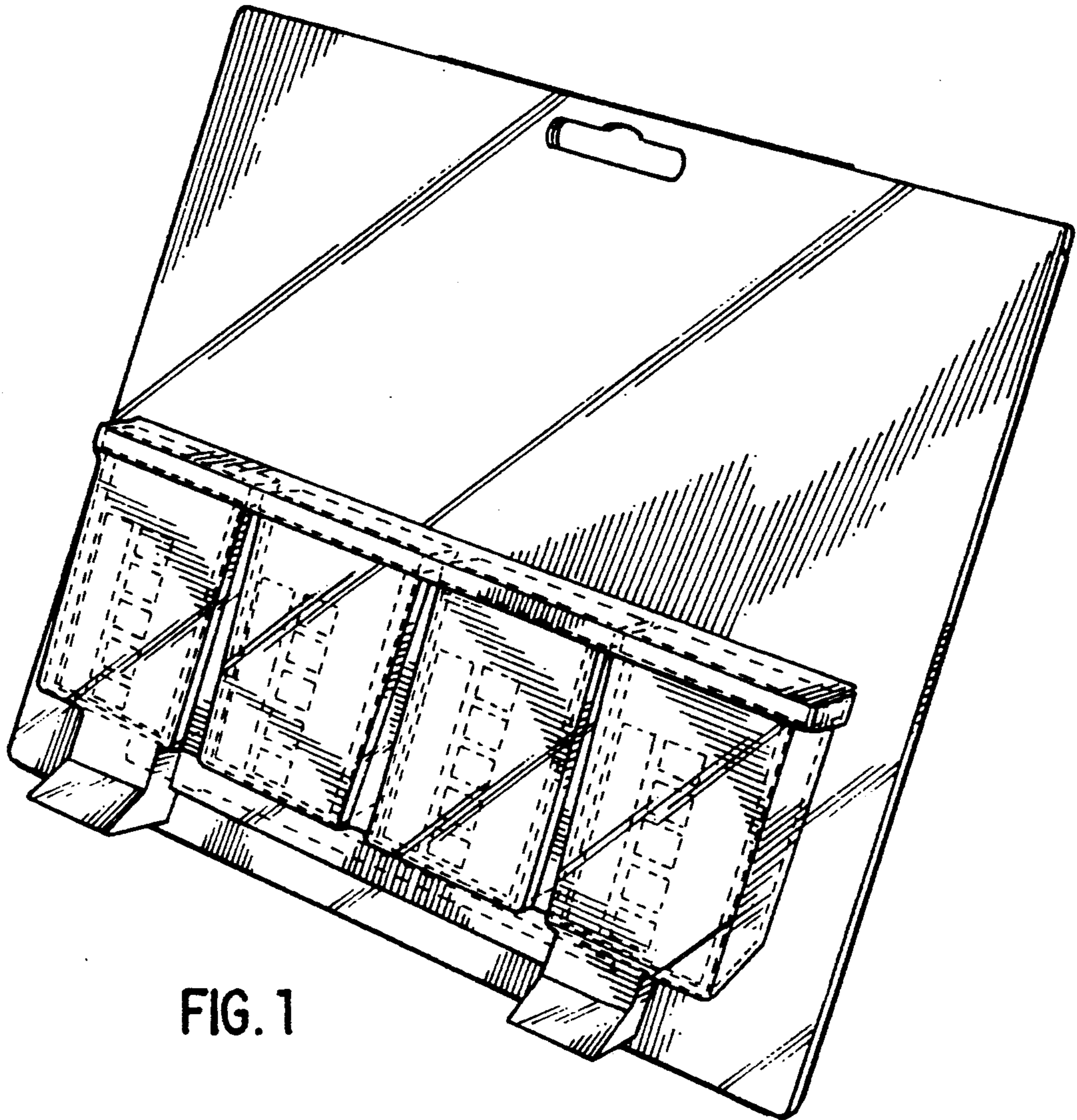


FIG. 1

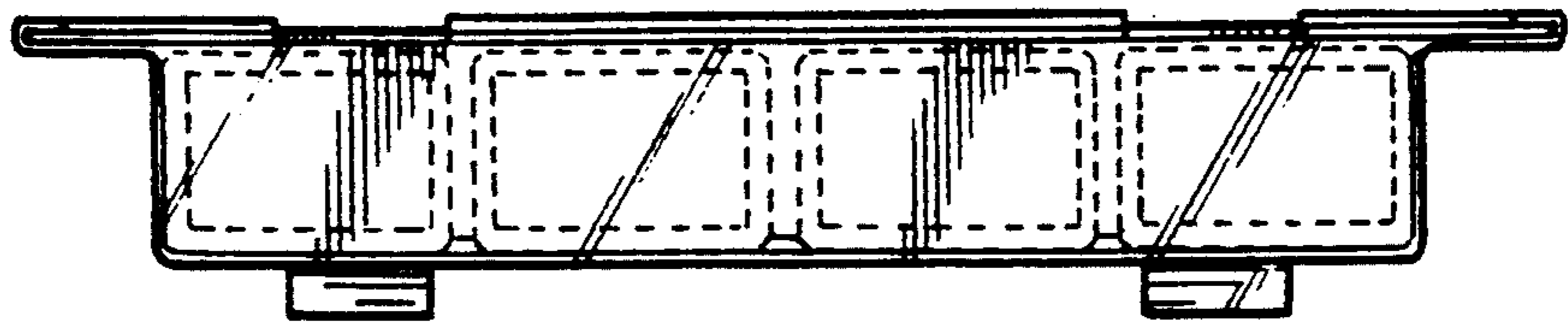


FIG. 2

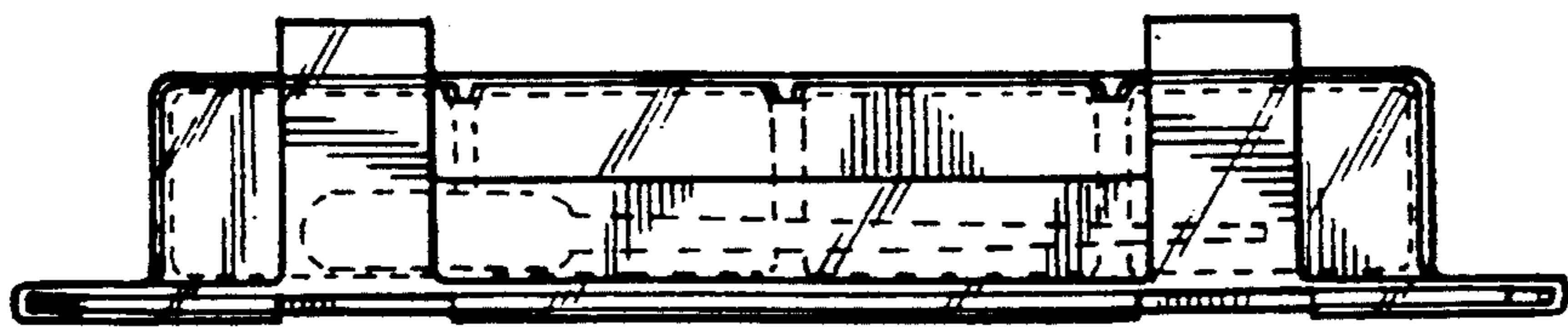


FIG. 7

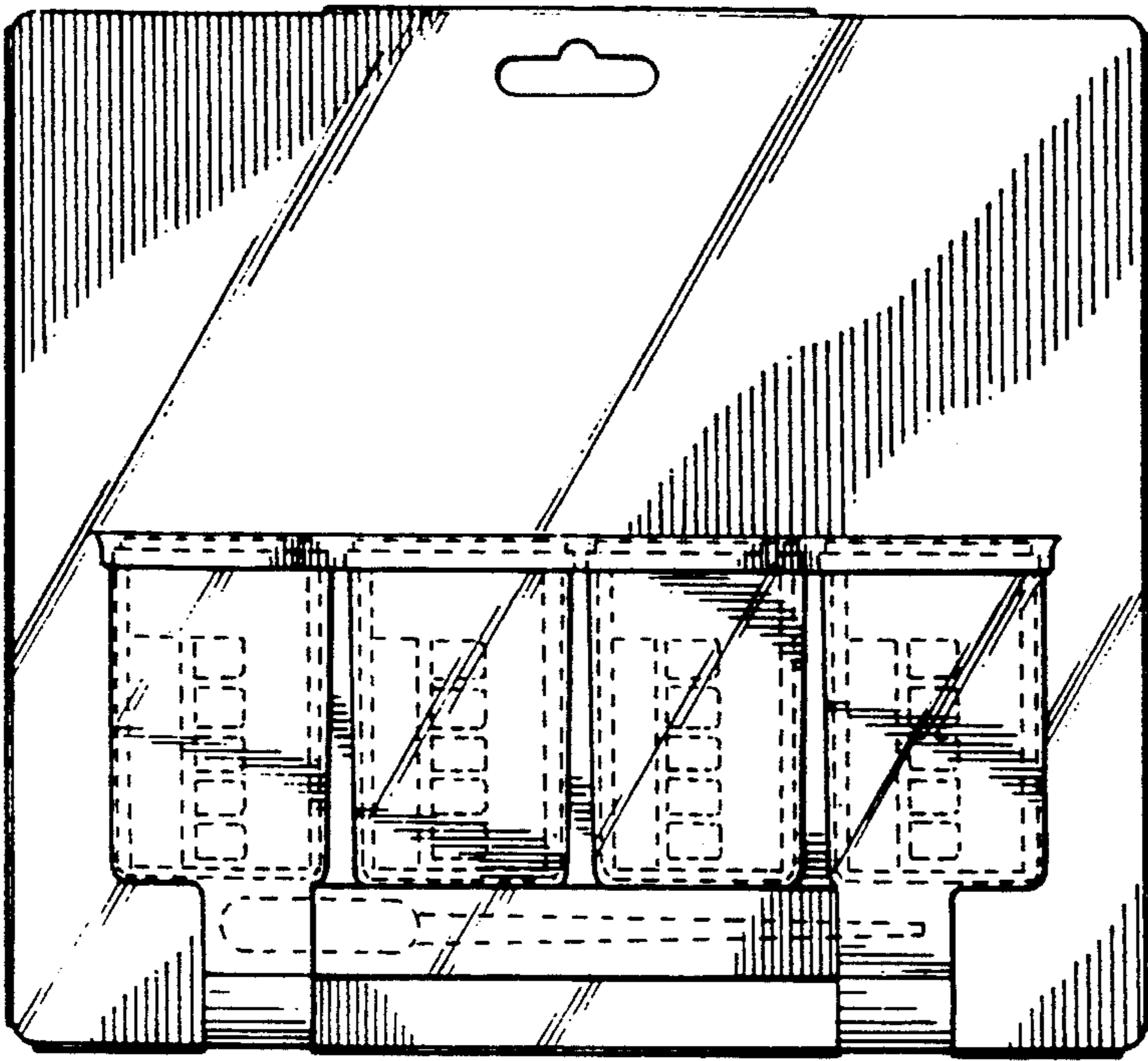


FIG. 3

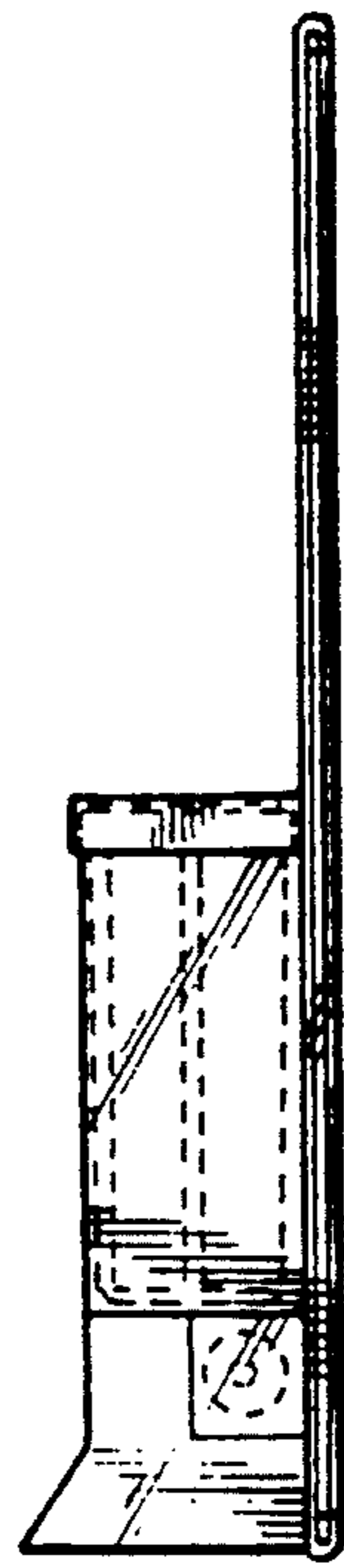


FIG. 4

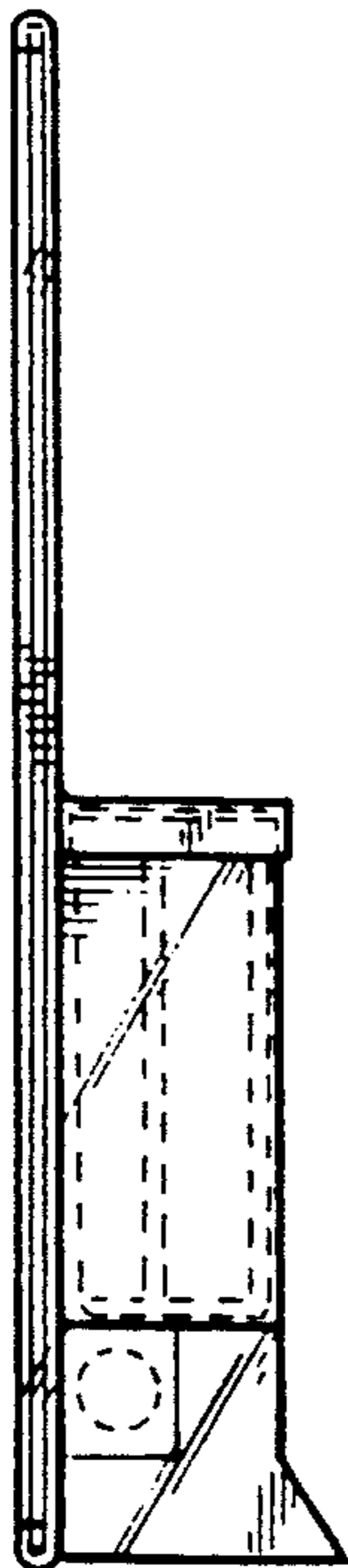


FIG. 5

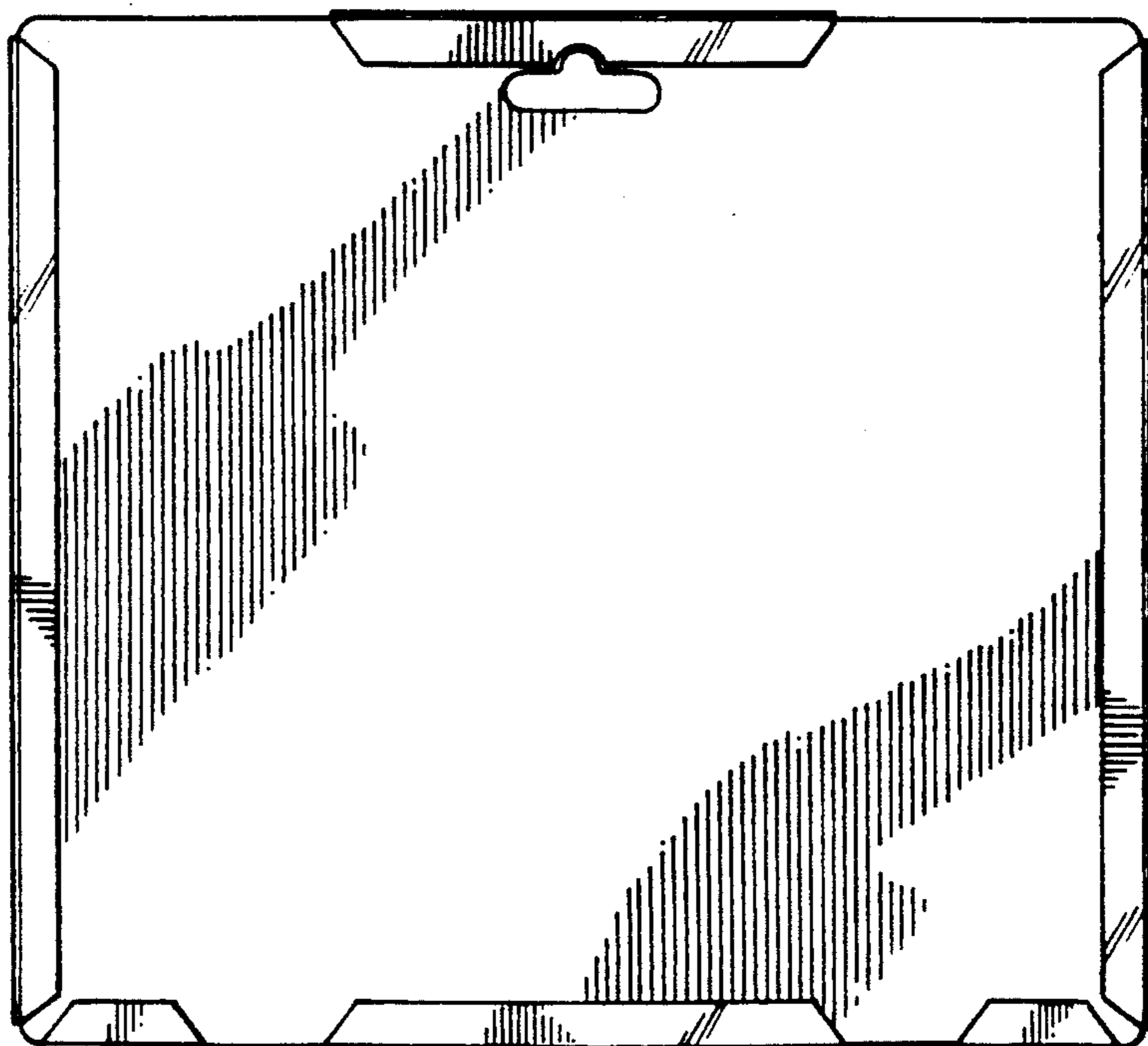


FIG. 6