



US00D347184S

# United States Patent [19]

[11] Patent Number: **Des. 347,184**

**Kawashima**

[45] Date of Patent: **\*\* May 24, 1994**

[54] **CLOCK**

D. 329,986 10/1992 Inora ..... D10/28  
3,329,985 10/1992 Takashima ..... D10/28

[75] Inventor: **Tsunemi Kawashima, Tokyo, Japan**

*Primary Examiner*—Nelson C. Holtje  
*Attorney, Agent, or Firm*—Bruce L. Adams; Van C. Wilks

[73] Assignee: **Seikosha Co., Ltd., Japan**

[\*\*] Term: **14 Years**

### [57] CLAIM

[21] Appl. No.: **953,574**

The ornamental design for a clock, as shown and described.

[22] Filed: **Sep. 28, 1992**

[52] U.S. Cl. .... **D10/28; D10/21**

### DESCRIPTION

[58] Field of Search ..... 368/276, 277, 285;  
D10/1-40, 122-132

FIG. 1 is a front elevational view of a clock showing my new design and with the decorative lever in the center position;

### [56] References Cited

#### U.S. PATENT DOCUMENTS

- D. 90,735 9/1933 Schlenker ..... D10/26
- D. 119,889 4/1940 Lux ..... D10/21 X
- D. 314,345 2/1991 Suzuki ..... D10/28
- D. 316,049 4/1991 Kato ..... D10/28
- D. 323,466 1/1992 Albin ..... D10/28

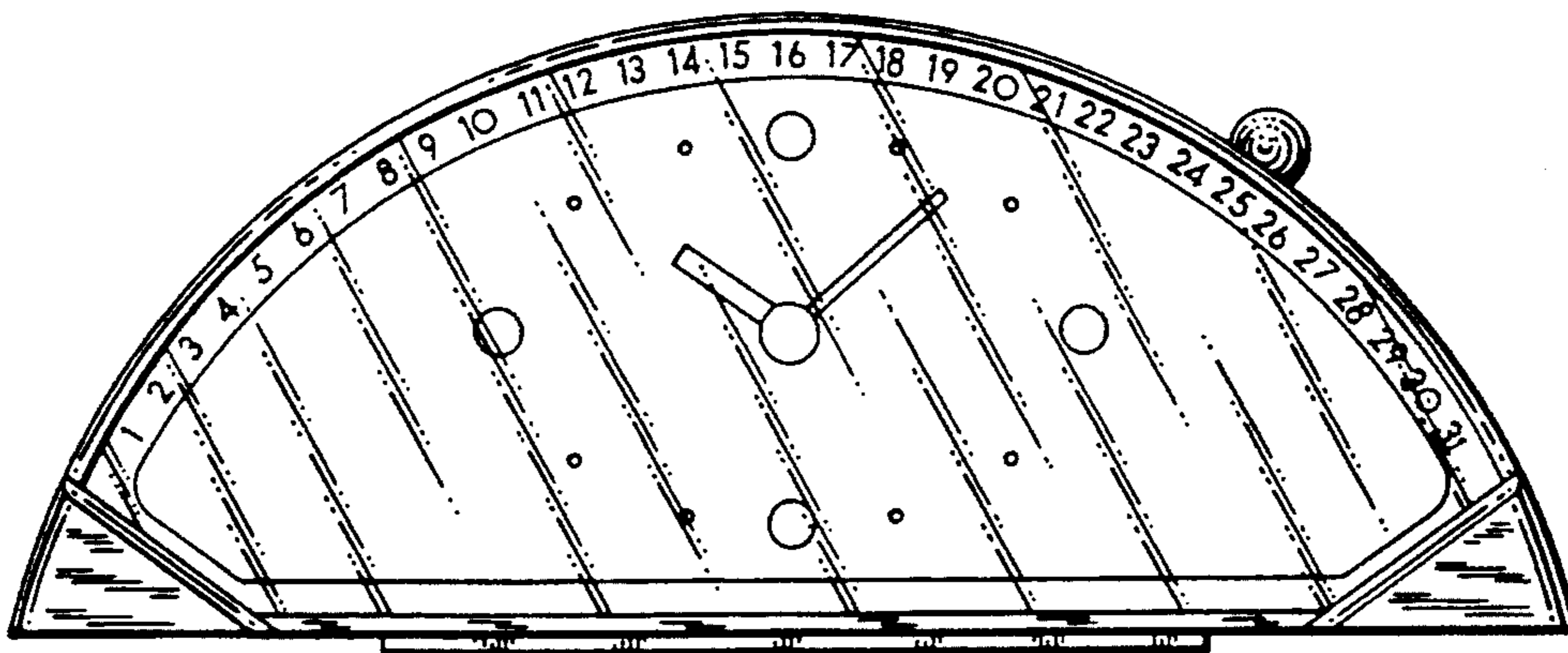
FIG. 2 is a rear elevational view thereof;

FIG. 3 is a top plan view thereof;

FIG. 4 is a bottom plan view thereof;

FIG. 5 is a right side elevational view thereof, the left side being the same in appearance as the right side; and,

FIG. 6 is a front elevational view thereof with the decorative lever displaced to the right.



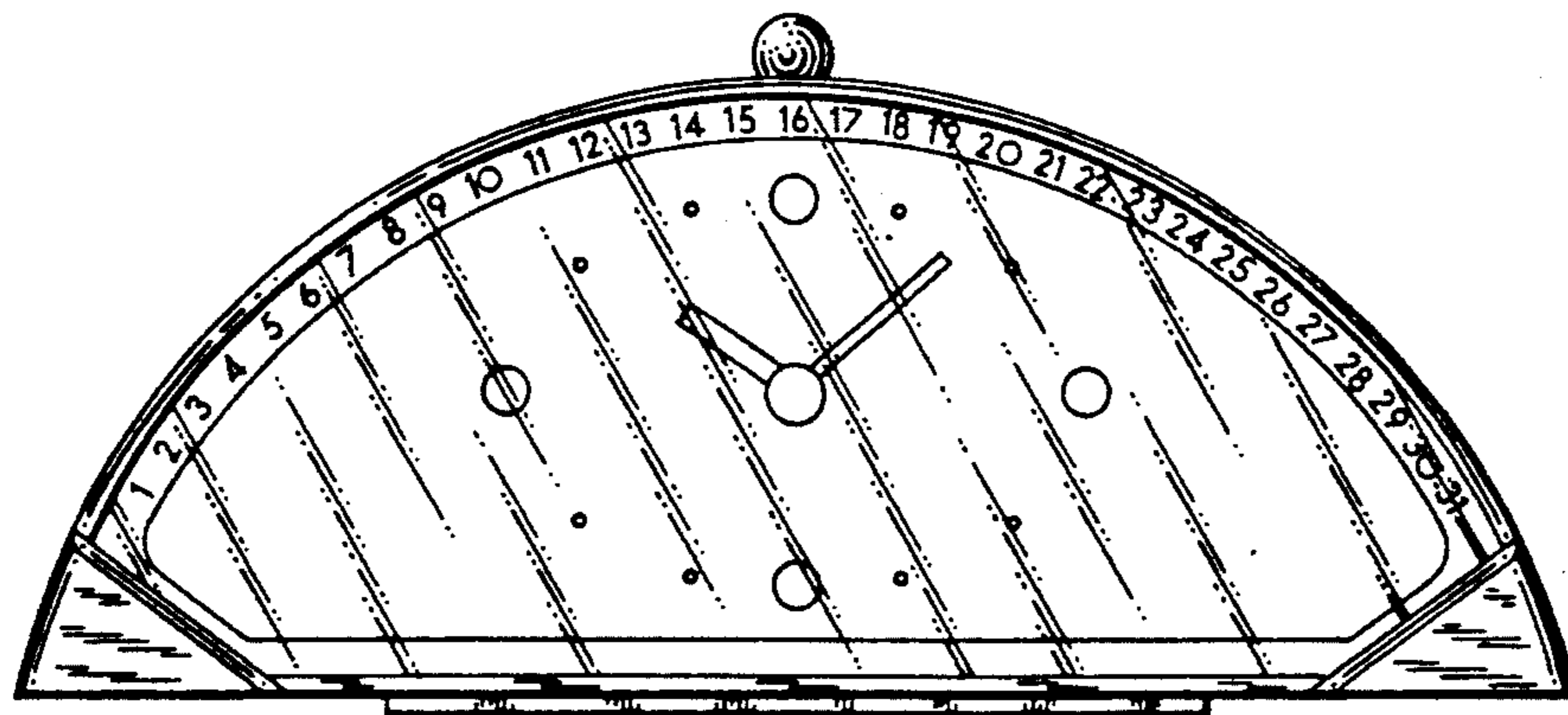


FIG. 1

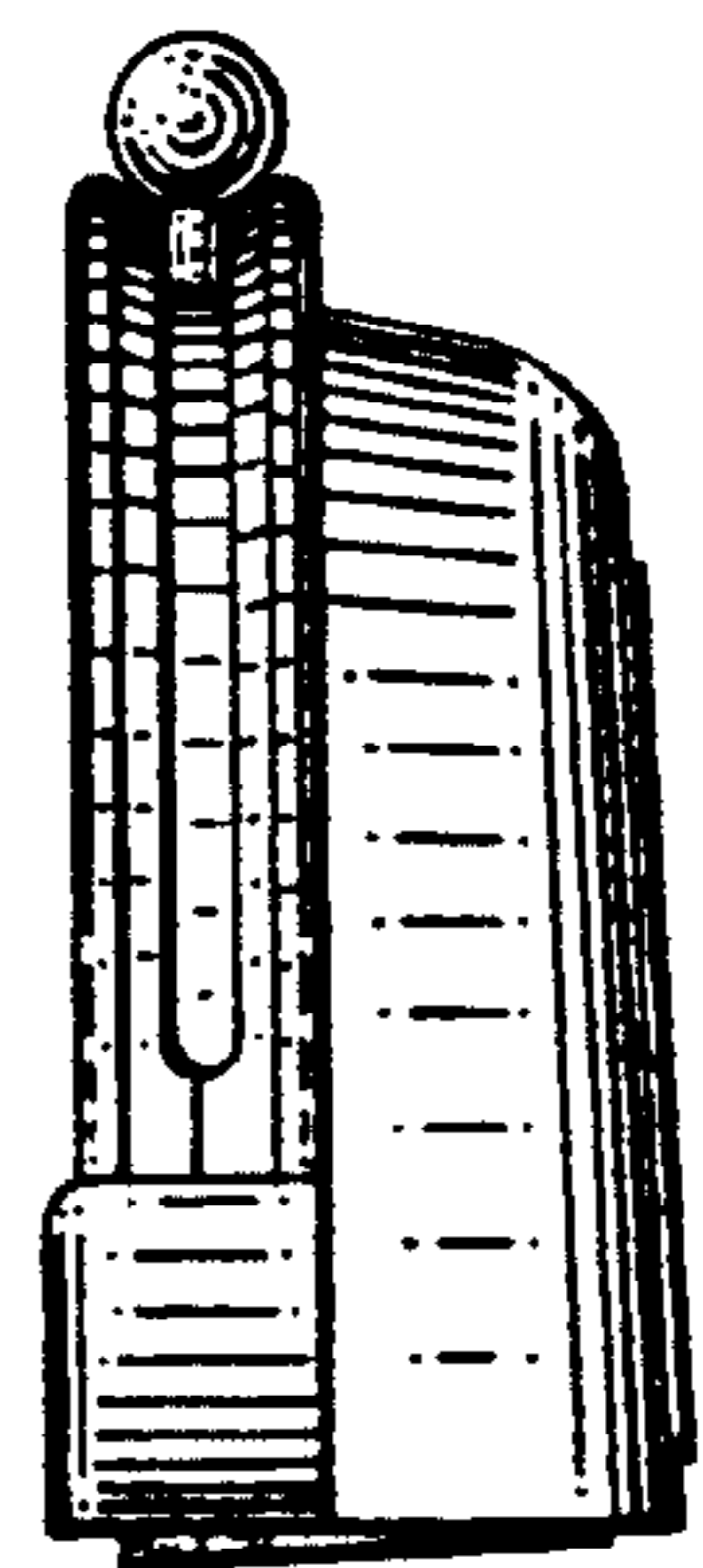


FIG. 5

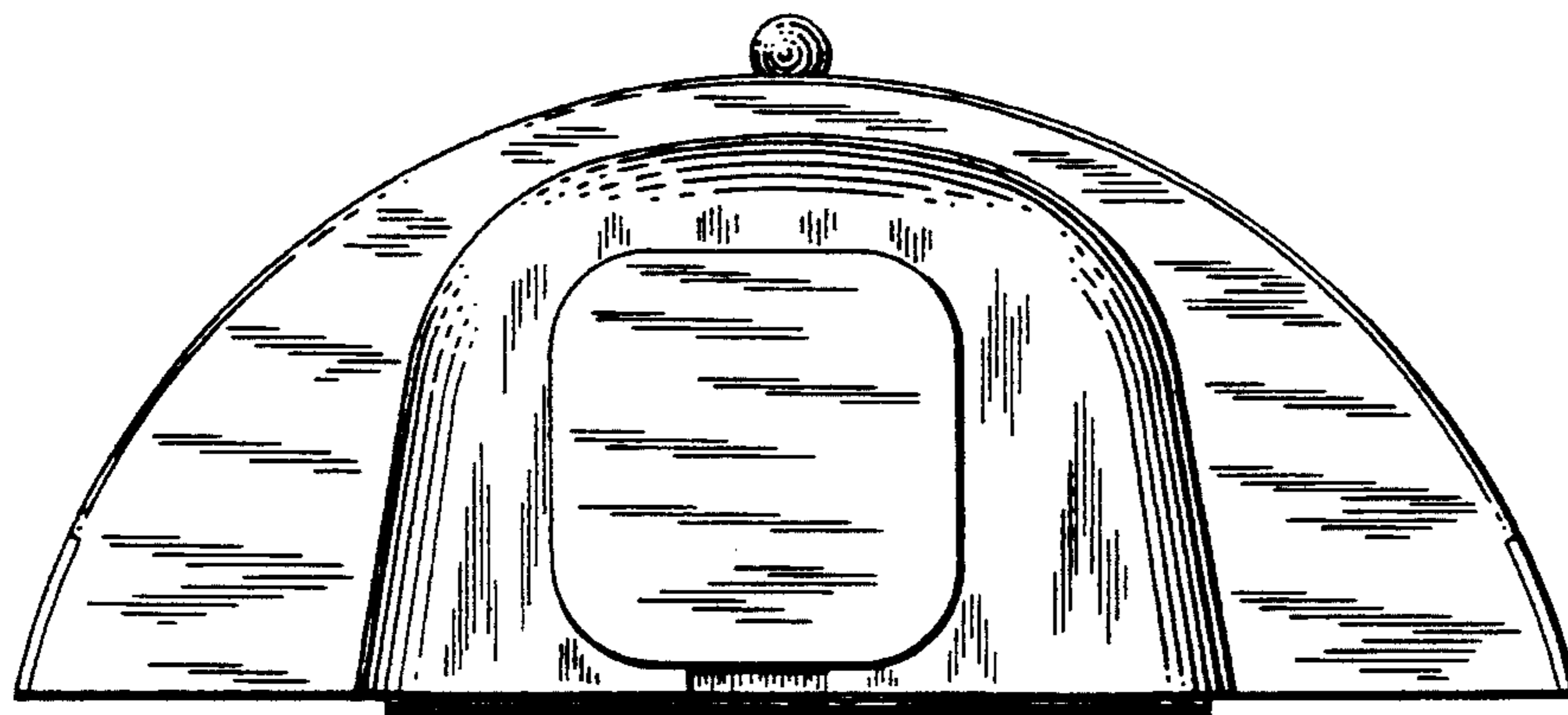


FIG. 2

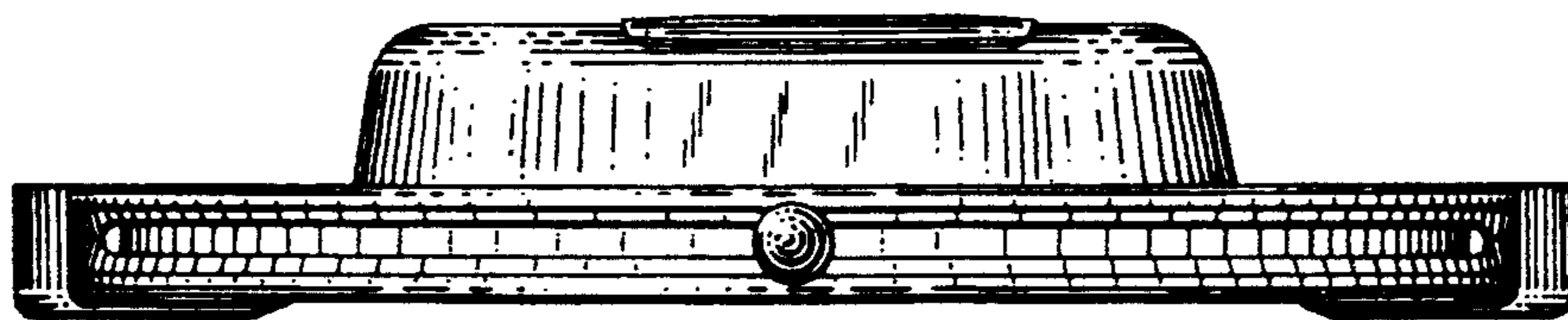


FIG. 3

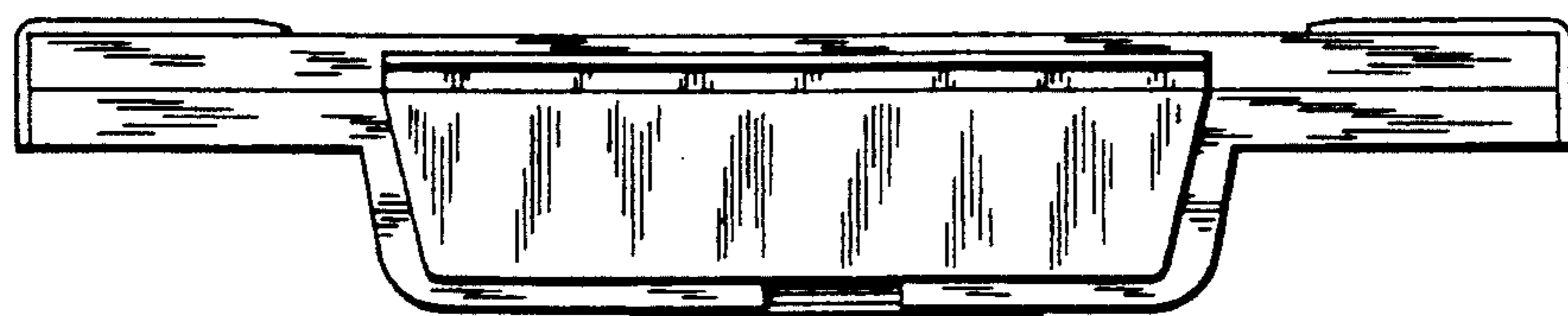
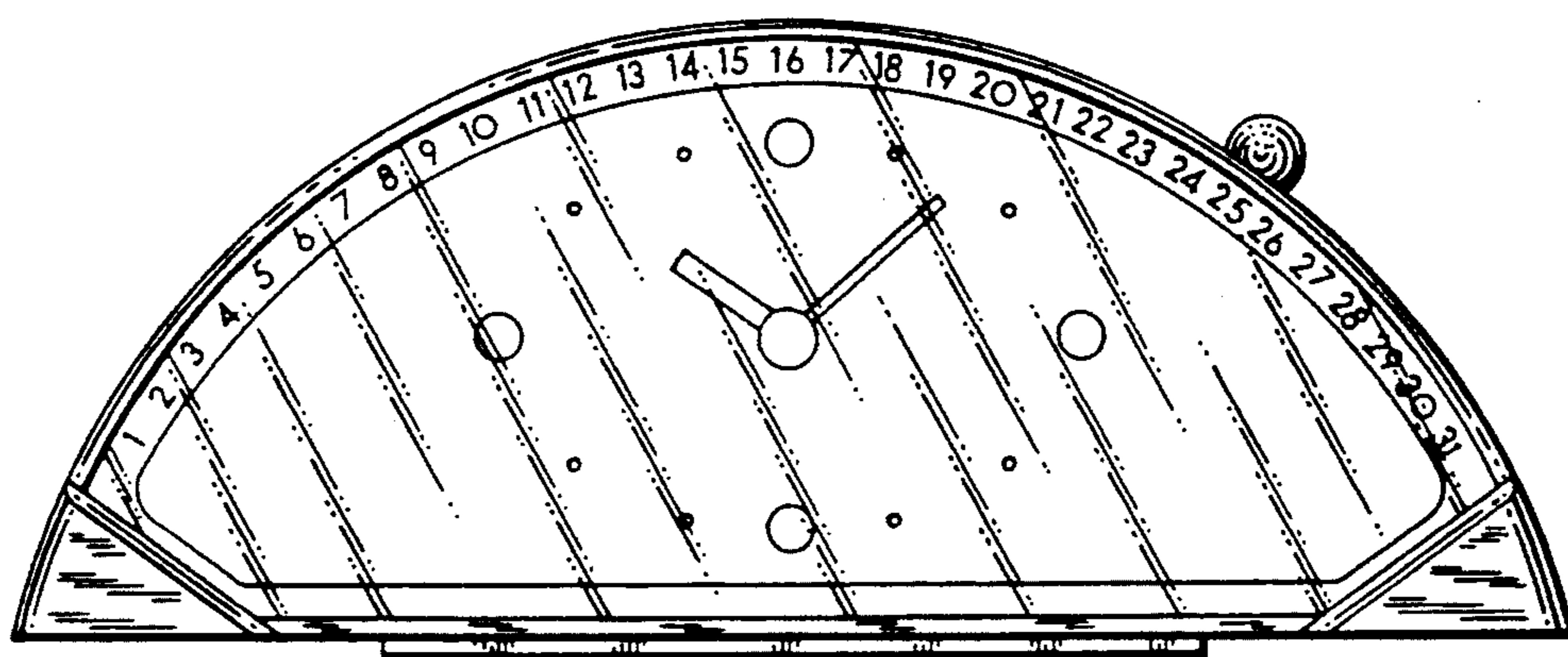


FIG. 4



**FIG. 6**