



US00D347173S

# United States Patent [19]

[11] Patent Number: **Des. 347,173**

**Bogstad et al.**

[45] Date of Patent: **\*\* May 24, 1994**

[54] **CONTAINER**

[75] Inventors: **David A. Bogstad; Larry J. Bauer,**  
both of Eau Claire, Wis.

[73] Assignee: **Jennico, Inc.,** Eau Claire, Wis.

[\*\*] Term: **14 Years**

[21] Appl. No.: **446**

[22] Filed: **Oct. 14, 1992**

[52] U.S. Cl. .... **D9/528; D9/337;**  
**D9/347**

[58] Field of Search ..... **D9/528, 531, 341, 347,**  
**D9/337, 535, 527; 215/1 R, 1 C, 10, 6, 100 A**

[56] **References Cited**

**U.S. PATENT DOCUMENTS**

- D. 165,984 2/1952 Konefes .
- D. 206,357 11/1966 Sullivan .
- D. 219,642 1/1971 Prahs ..... D9/347
- D. 231,647 5/1974 Morino ..... D9/528
- D. 235,623 7/1975 Lloveras ..... D9/528
- D. 276,890 12/1984 Hancher .
- D. 297,961 10/1988 Egger ..... D9/528 X
- D. 305,407 1/1990 Gonda ..... D9/528
- D. 310,958 10/1990 Biesecker .
- 3,658,204 4/1972 Bottger .
- 4,592,478 6/1986 Laconis .
- 4,616,759 10/1986 Mahler ..... D9/528 X
- 4,950,083 8/1990 Bavaveas .

**FOREIGN PATENT DOCUMENTS**

2541580 3/1977 Fed. Rep. of Germany ..... 215/10

**OTHER PUBLICATIONS**

Non-Patent Reference: Honorable Mention: Duo--  
Magic, Eparco, Rockefeller Center, New York, N.Y.

10185. Soap/Cosmetics/Chemical Specialties for Jul.,  
1992.

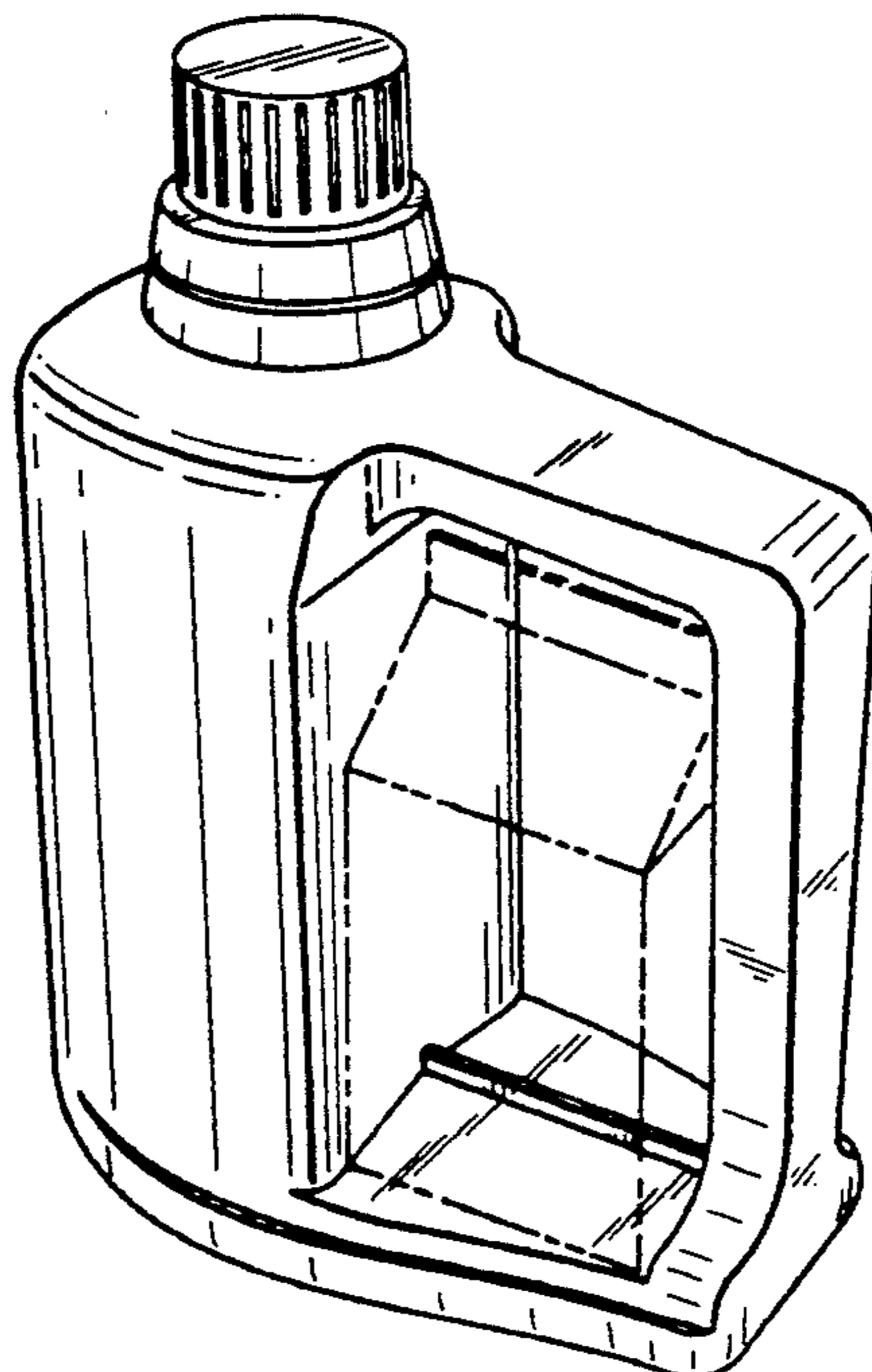
*Primary Examiner*—Bernard Ansher  
*Assistant Examiner*—Lucy Lieberman  
*Attorney, Agent, or Firm*—Merchant, Gould, Smith,  
Edell, Welter & Schmidt

[57] **CLAIM**

The ornamental design for a container, as shown and  
described.

**DESCRIPTION**

FIG. 1 is a perspective view of a container showing our  
new design;  
FIG. 2 is a top plan view of FIG. 1;  
FIG. 3 is a bottom view of the container design illus-  
trated in FIG. 1;  
FIG. 4 is a left-side view of the container design illus-  
trated in FIG. 1;  
FIG. 5 is a right-side view of the container design illus-  
trated in FIG. 1;  
FIG. 6 is a front elevational view of FIG. 1, the rear  
elevational view is a mirror image thereof;  
FIG. 7 is a perspective view of a second embodiment of  
the container;  
FIG. 8 is a top plan view of FIG. 7;  
FIG. 9 is a bottom view of the container design illus-  
trated in FIG. 7;  
FIG. 10 is a left-side view of the container design illus-  
trated in FIG. 7;  
FIG. 11 is a right-side view of the container design  
illustrated in FIG. 7; and,  
FIG. 12 is a front elevational view of FIG. 7, the rear  
elevational view is a mirror image thereof.  
The broken line showing of a container is for illustrative  
purposes only and does not form part of the claimed  
design.



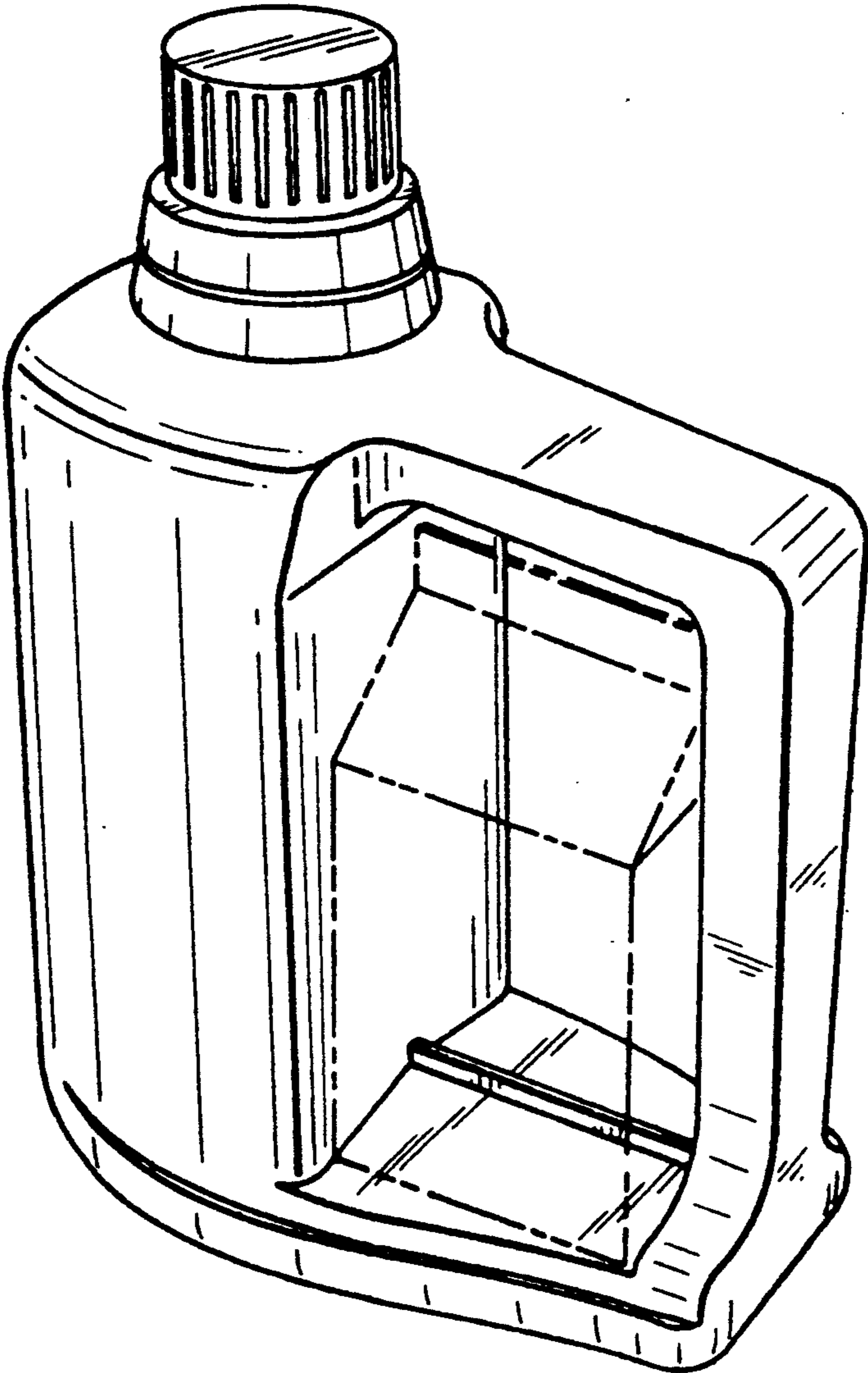


FIG. 1

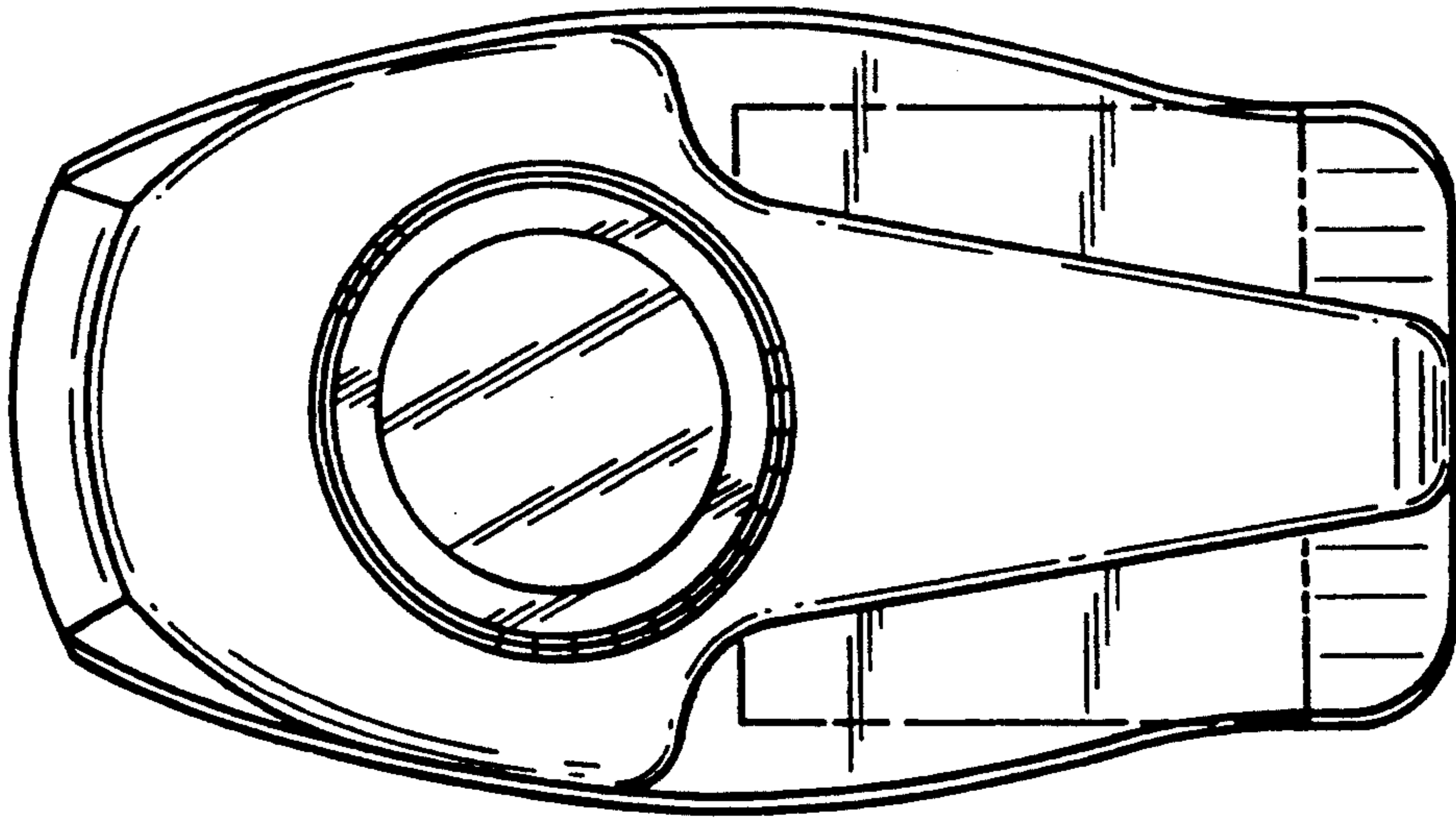


FIG. 2

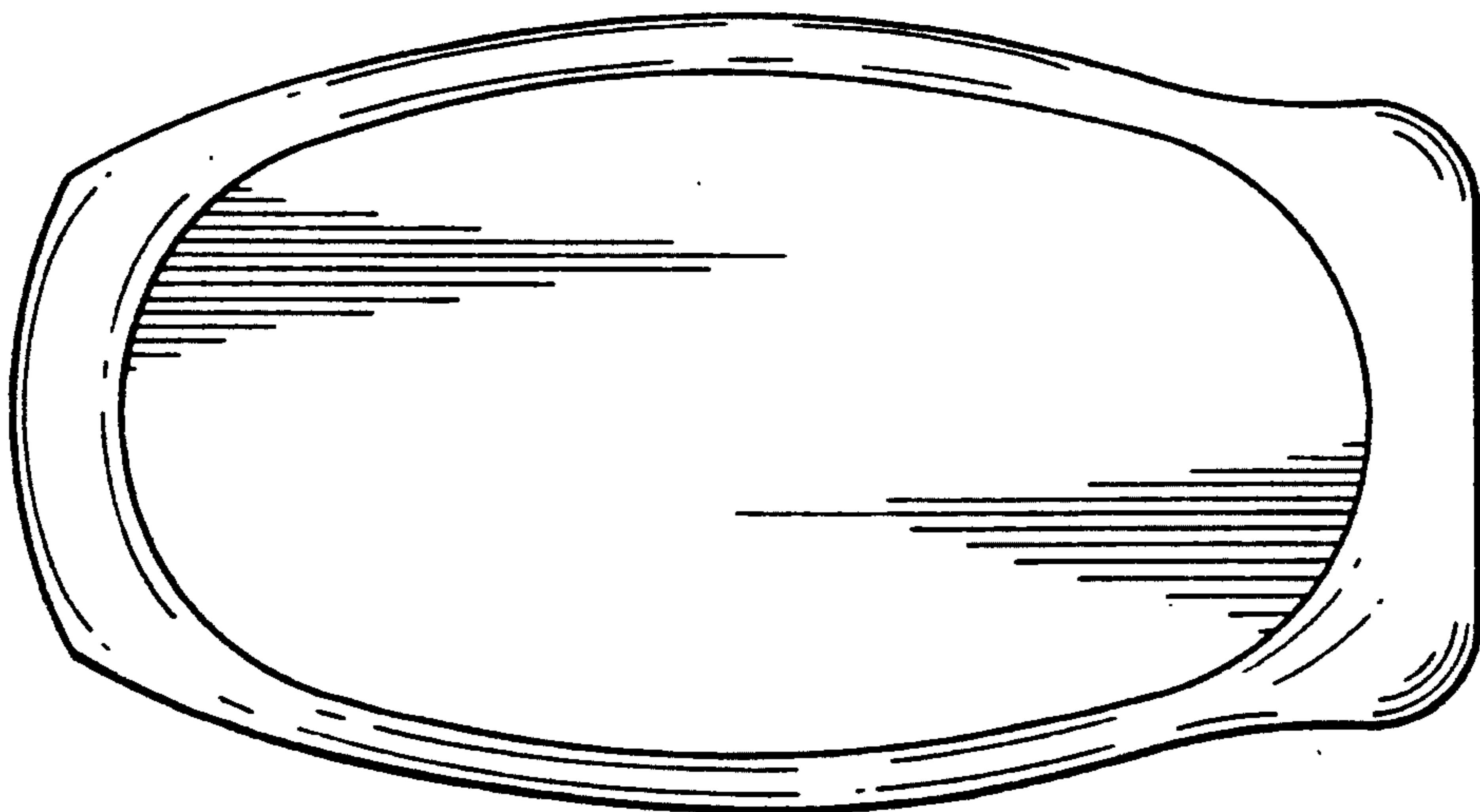


FIG. 3

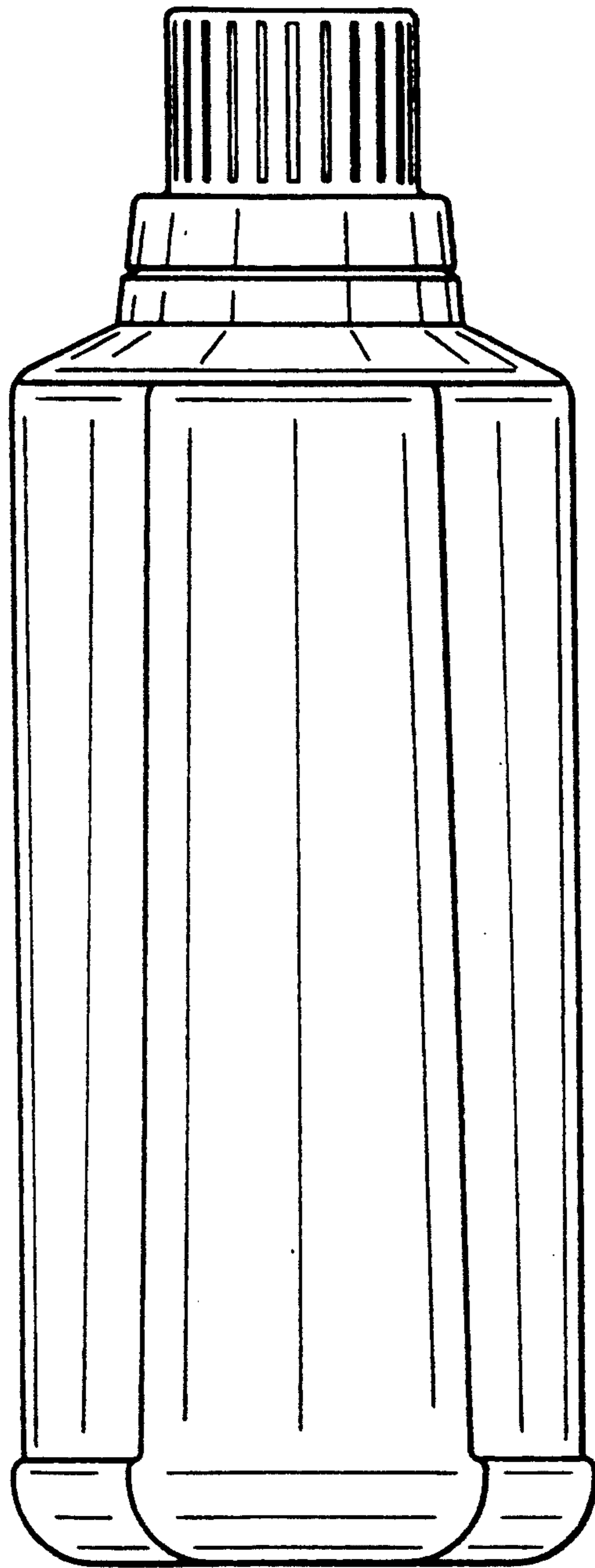


FIG. 4

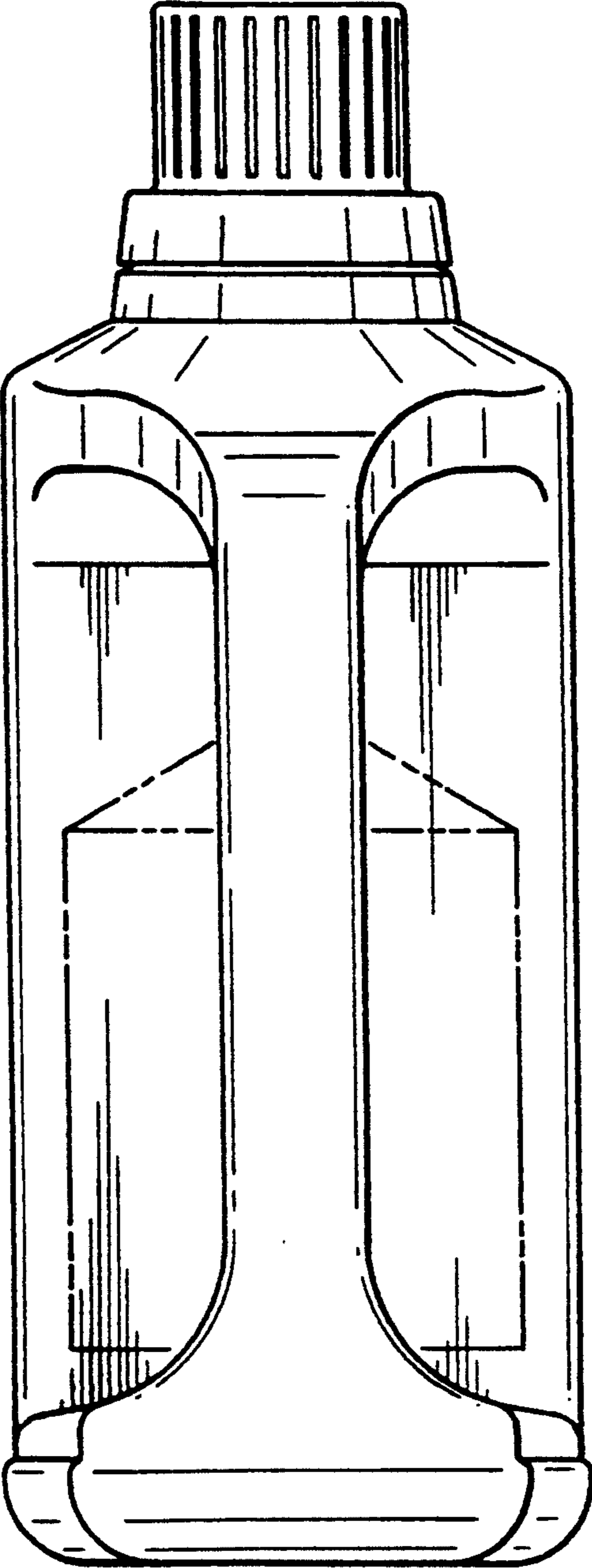


FIG. 5

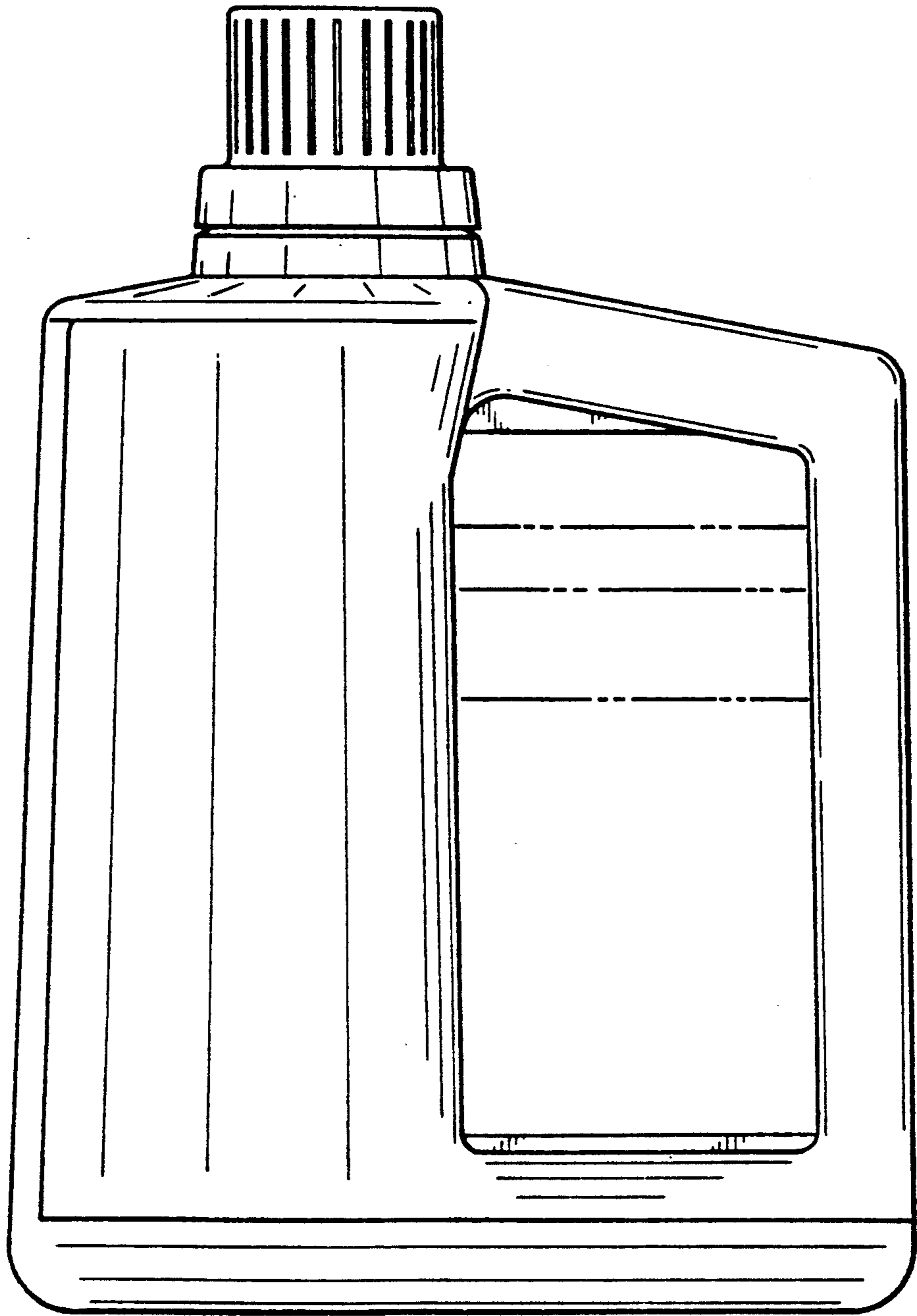


FIG. 6

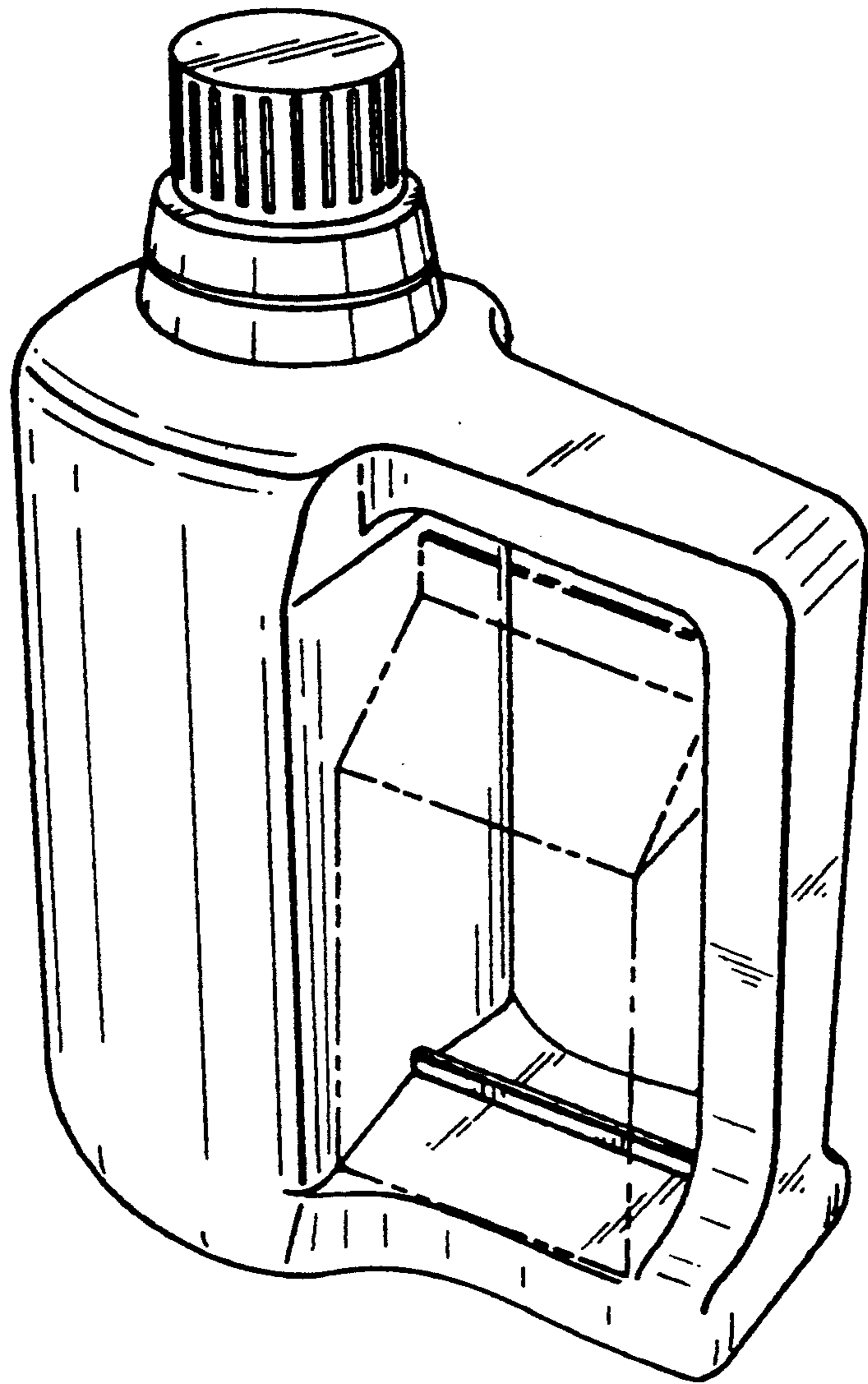


FIG. 7

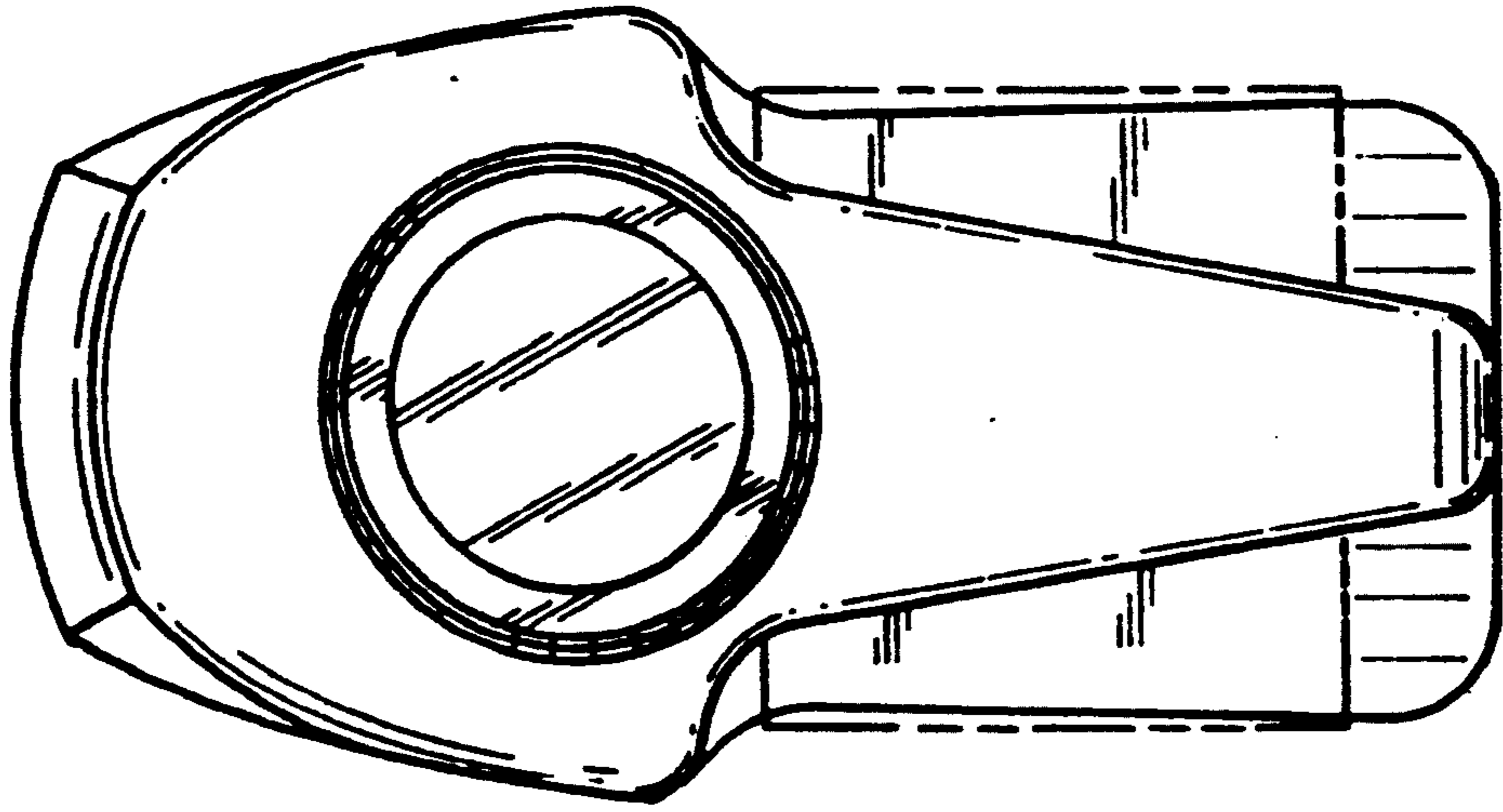


FIG. 8

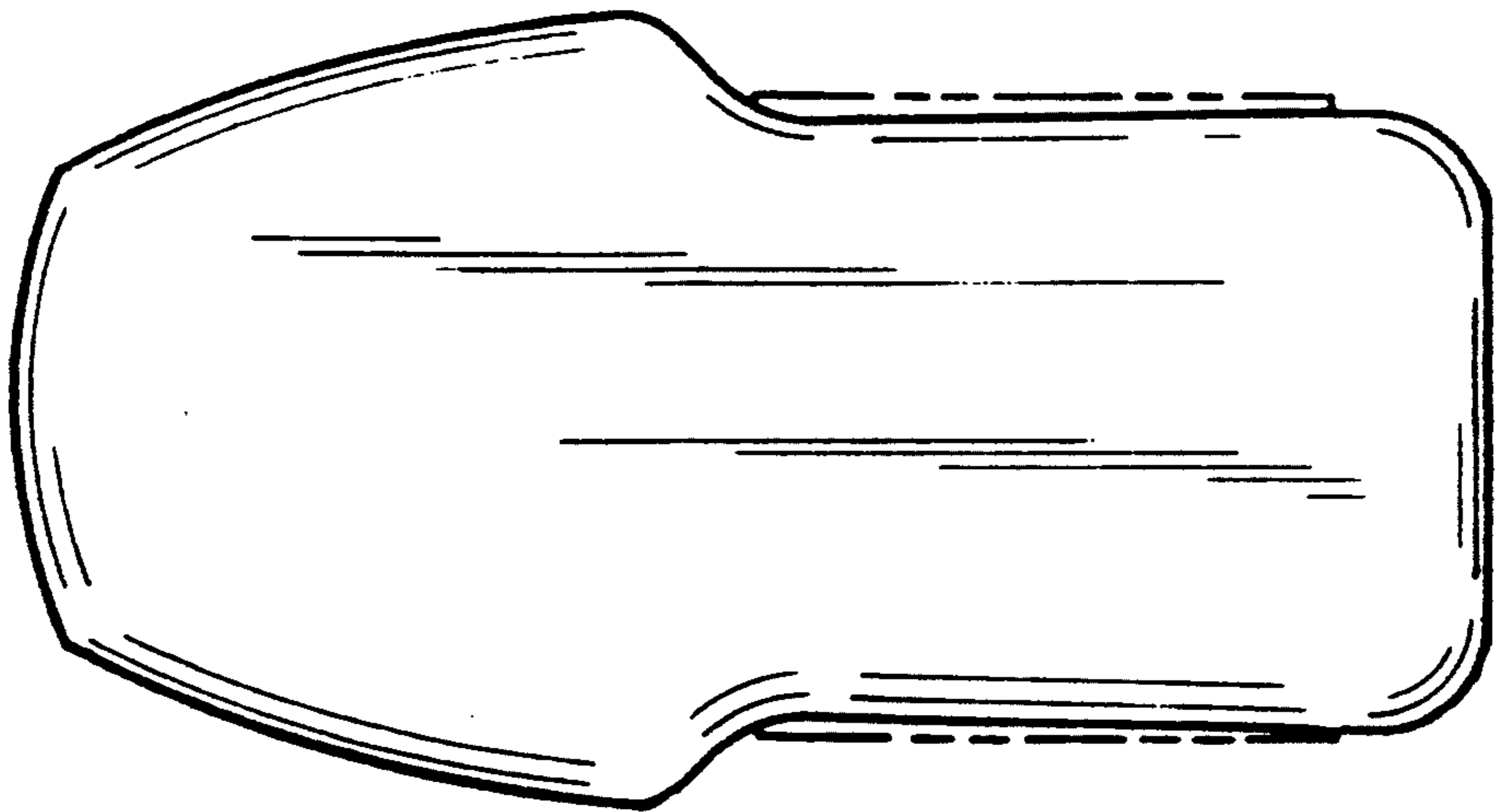


FIG. 9



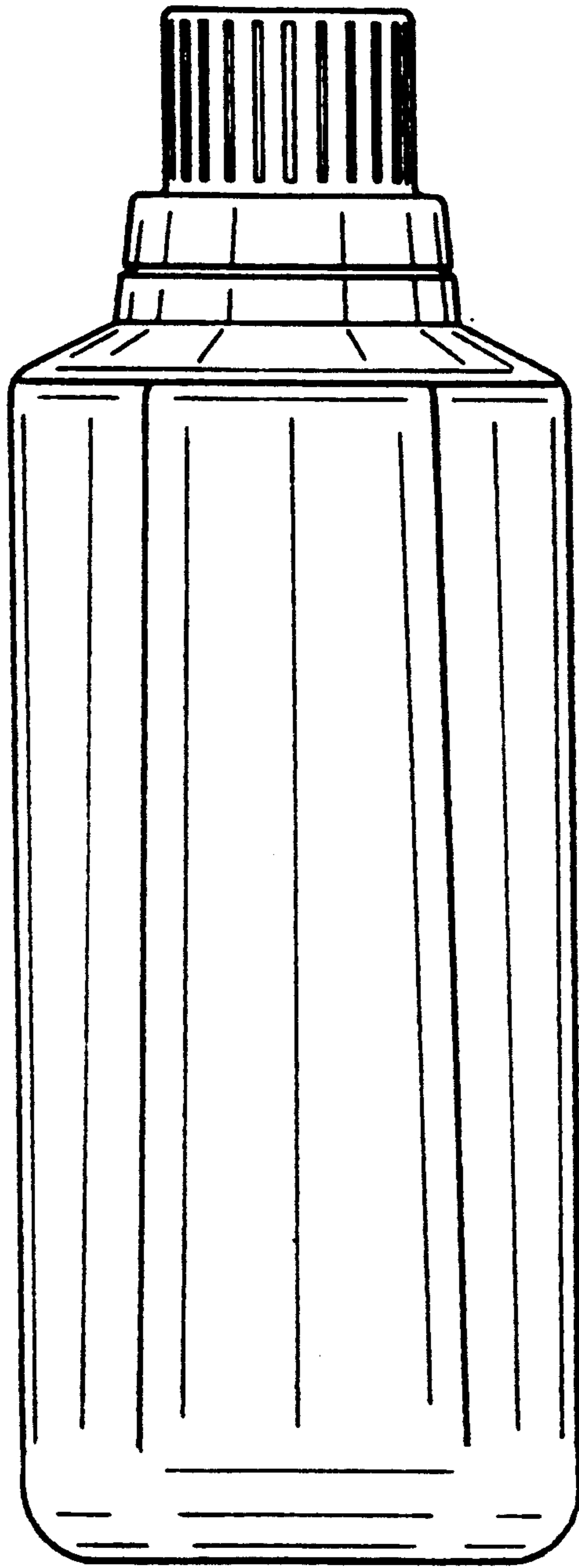


FIG. 10

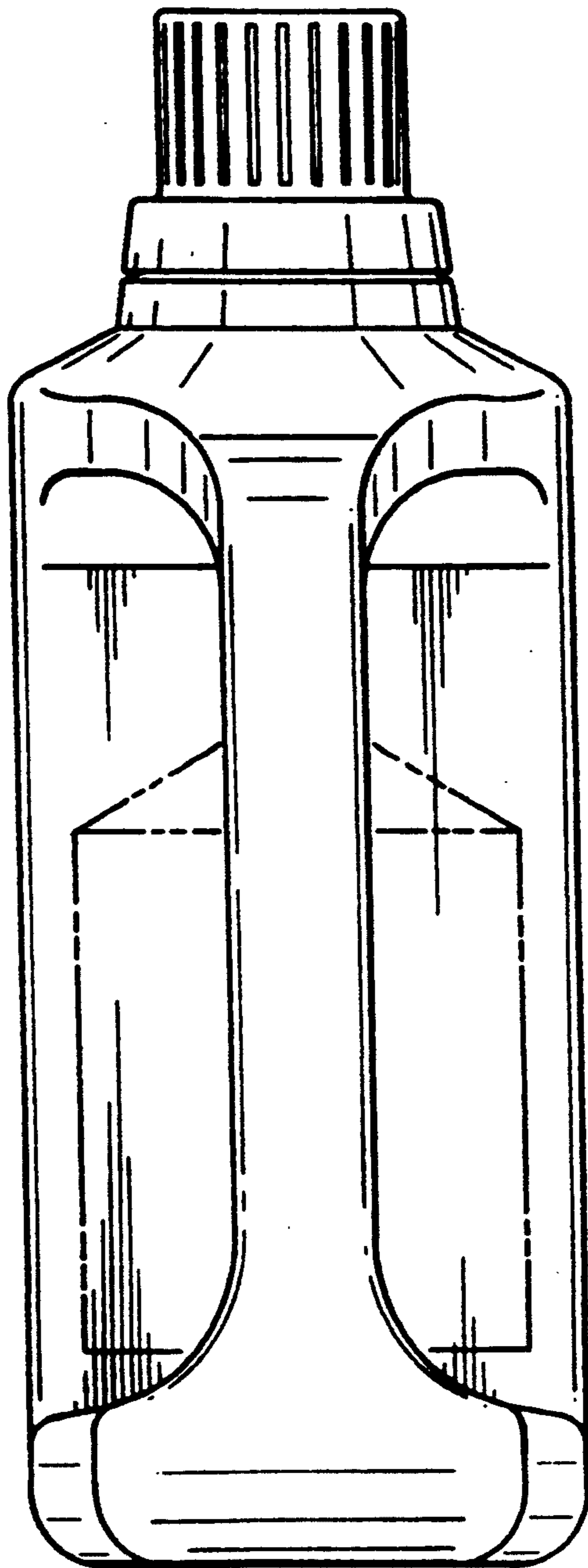


FIG. II

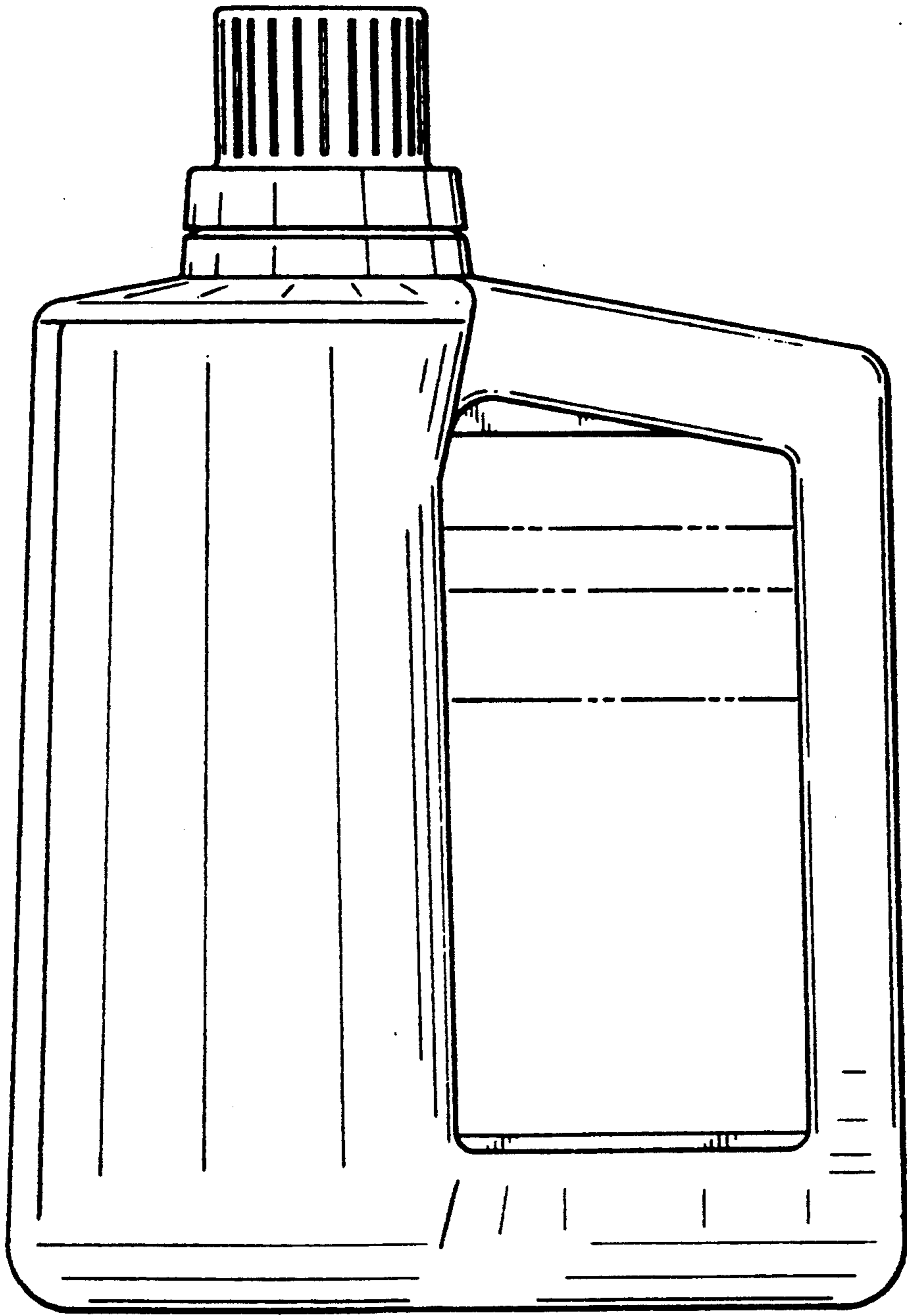


FIG. 12