



US00D347165S

United States Patent [19]

[11] Patent Number: Des. 347,165

Schneider

[45] Date of Patent: ** May 24, 1994

[54] COMBINED DISPENSER AND CAP

[75] Inventor: Peter Schneider, Konigstein, Fed. Rep. of Germany

[73] Assignee: Jafra Cosmetics, Inc., Westlake Village, Calif.

[**] Term: 14 Years

[21] Appl. No.: 889,745

[22] Filed: May 28, 1992

[52] U.S. Cl. D9/300

[58] Field of Search D9/300, 502, 503, 523, D9/435, 447-449; 239/337, 333; 222/251, 335, 372, 405, 637, 383; D28/91.1

[56] References Cited

U.S. PATENT DOCUMENTS

| | | | | |
|------------|--------|----------|-------|----------|
| D. 260,605 | 9/1981 | Saunders | | D9/300 |
| D. 265,459 | 7/1982 | Picot | | D9/300 |
| D. 288,491 | 2/1987 | Speitel | | D9/300 X |
| D. 306,554 | 3/1990 | Lawson | | D9/300 |

Primary Examiner—Bernard Ansher

Assistant Examiner—M. Siegel

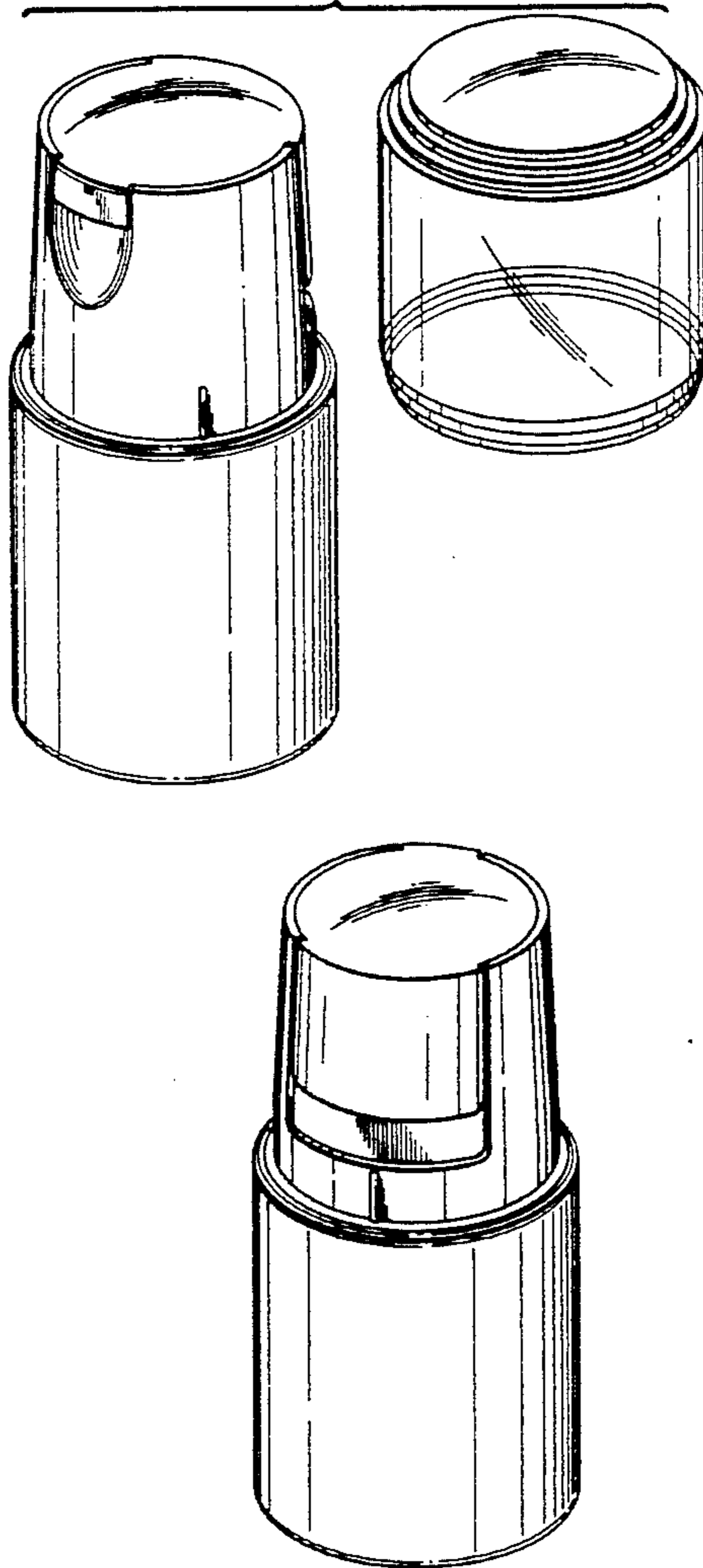
Attorney, Agent, or Firm—Owen J. Meegan; Aubrey C. Brine; Donal B. Tobin

[57] CLAIM

The ornamental design for combined dispenser and cap, as shown and described.

DESCRIPTION

FIG. 1 is an exploded front elevational view a combined dispenser and cap showing my new design;
 FIG. 2 is a left side elevational view thereof, the undisclosed opposite being a mirror image;
 FIG. 3 is a rear elevational view thereof;
 FIG. 4 is a bottom plan view of the cap, shown for clarity of illustration;
 FIG. 5 is a top plan view of FIG. 4;
 FIG. 6 is a top plan view of the dispenser shown without the cap for clarity of illustration;
 FIG. 7 is a bottom plan view of FIG. 6;
 FIG. 8 is a top front perspective view of FIG. 1; and,
 FIG. 9 is a rear perspective view shown without the cap for ease of illustration.



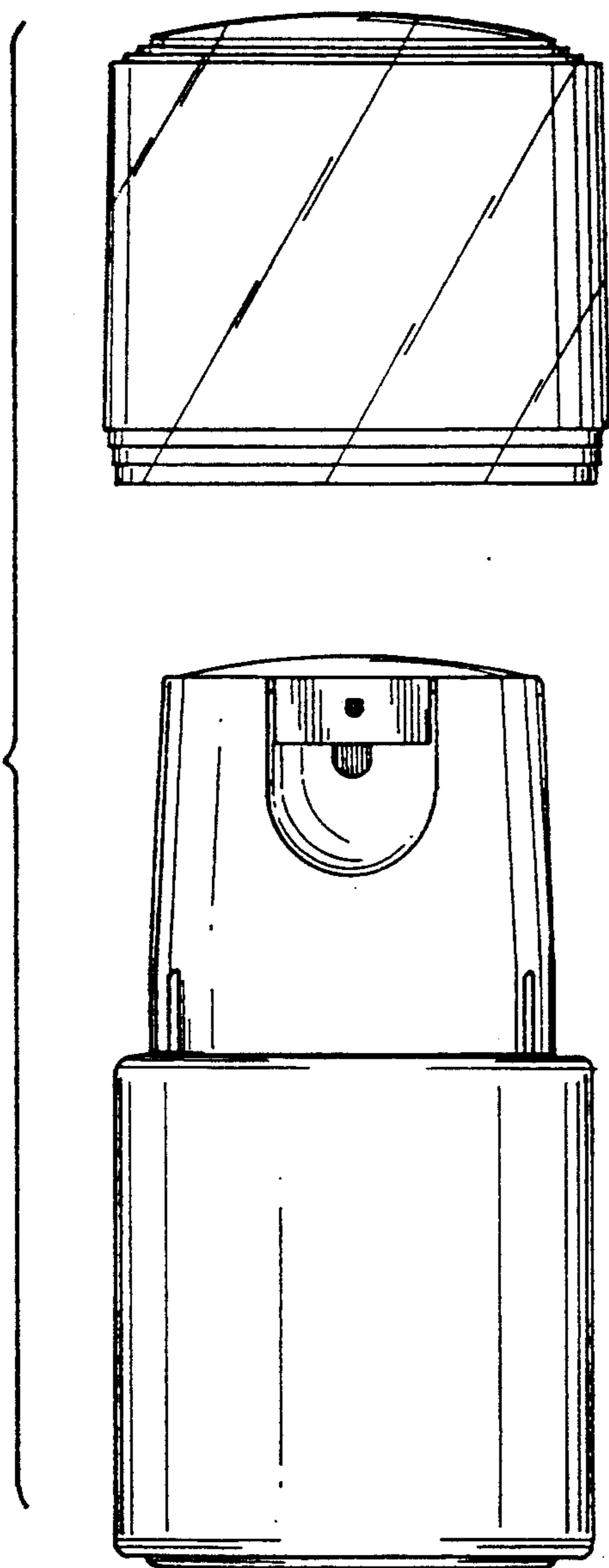


Fig. 1

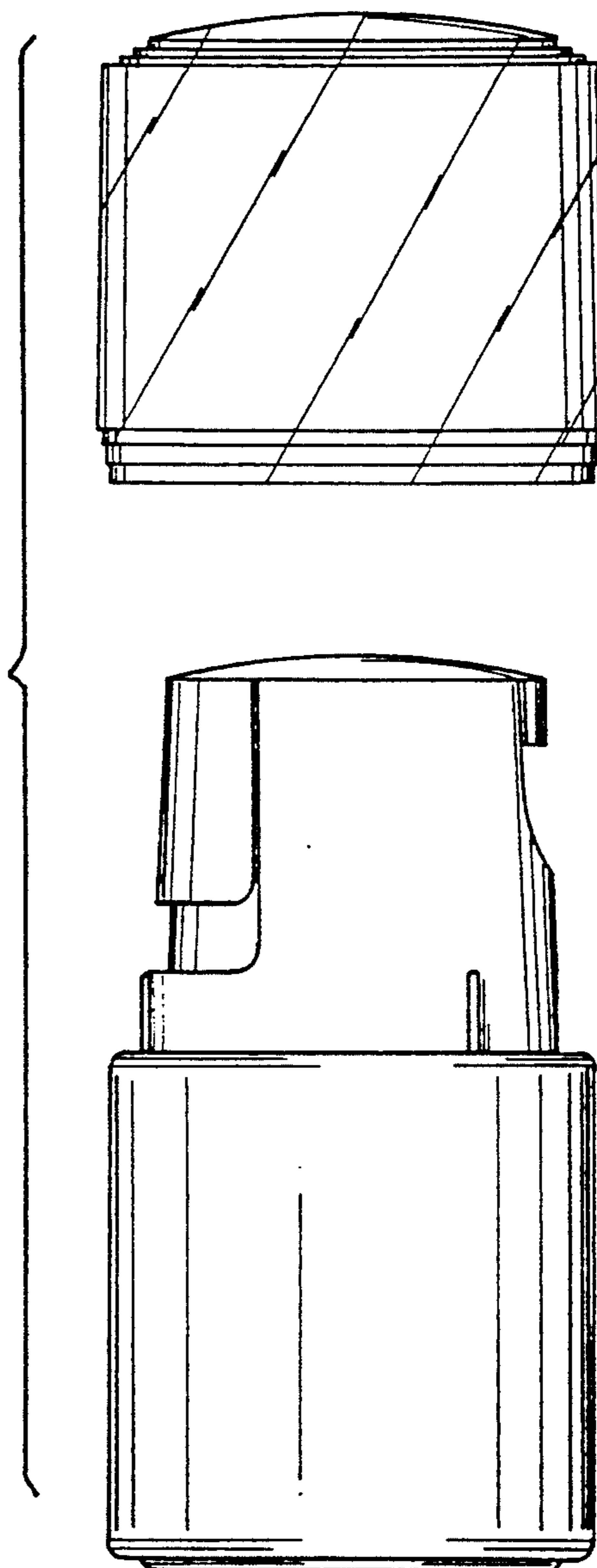


Fig. 2

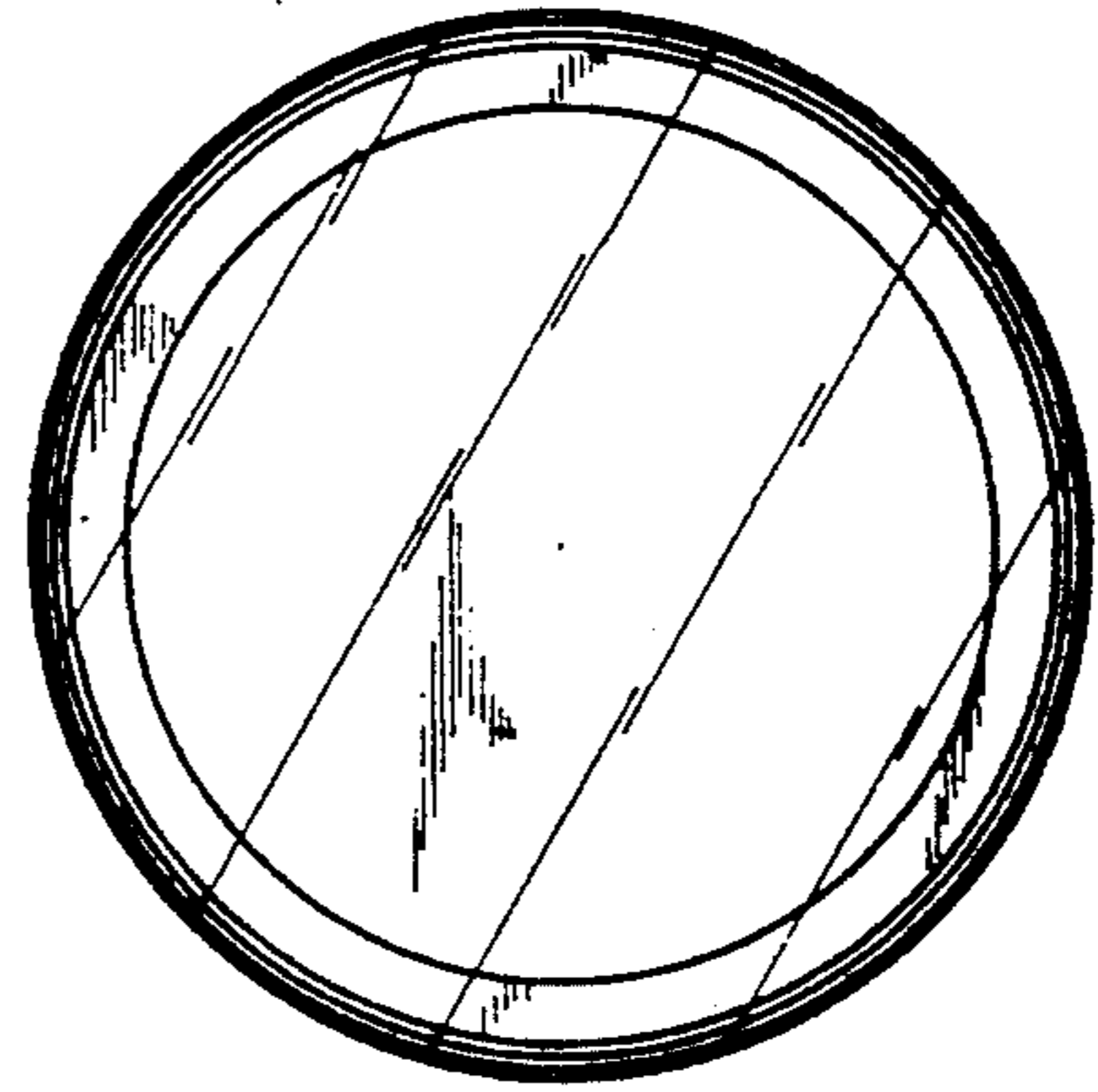
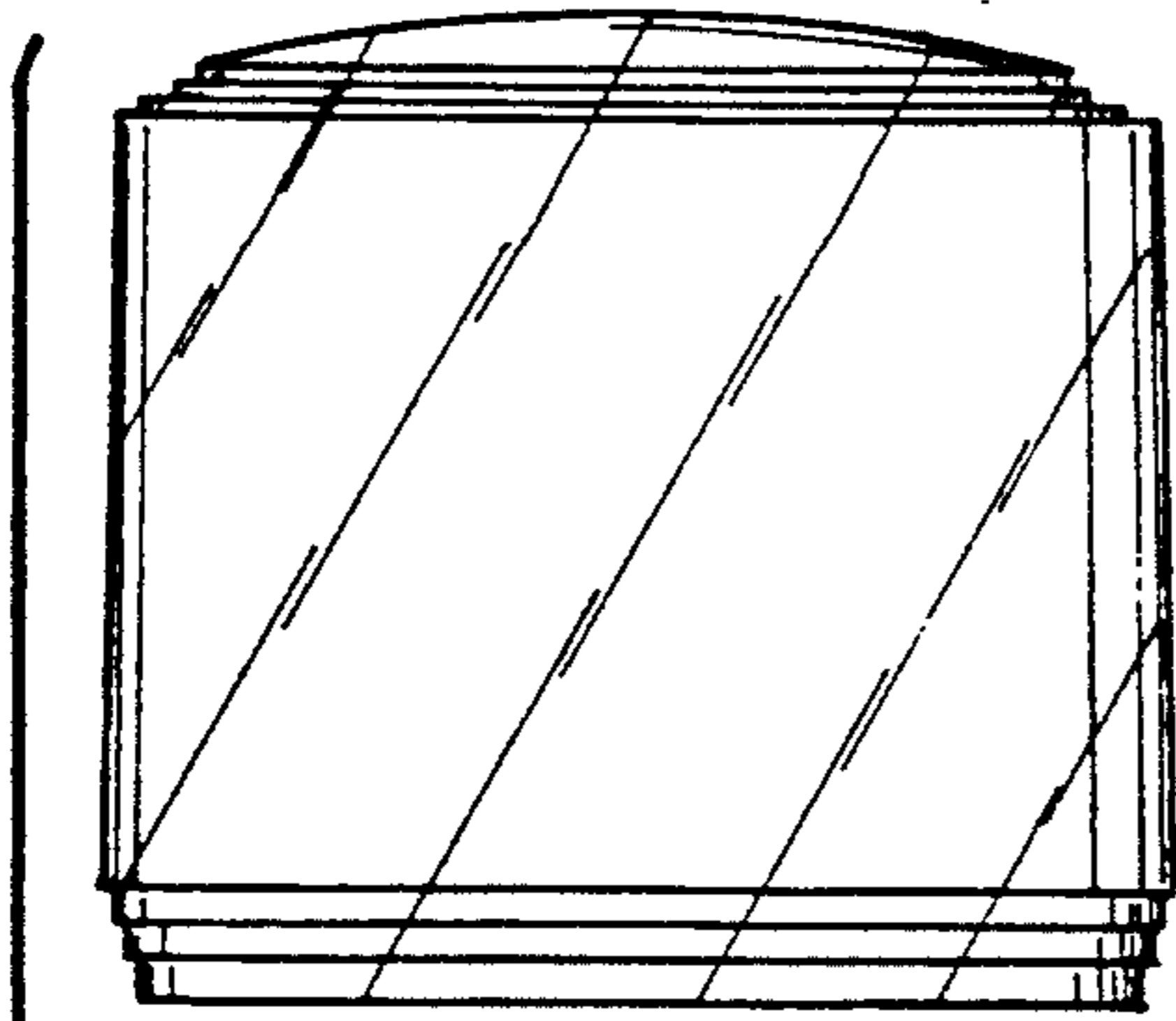


Fig. 4

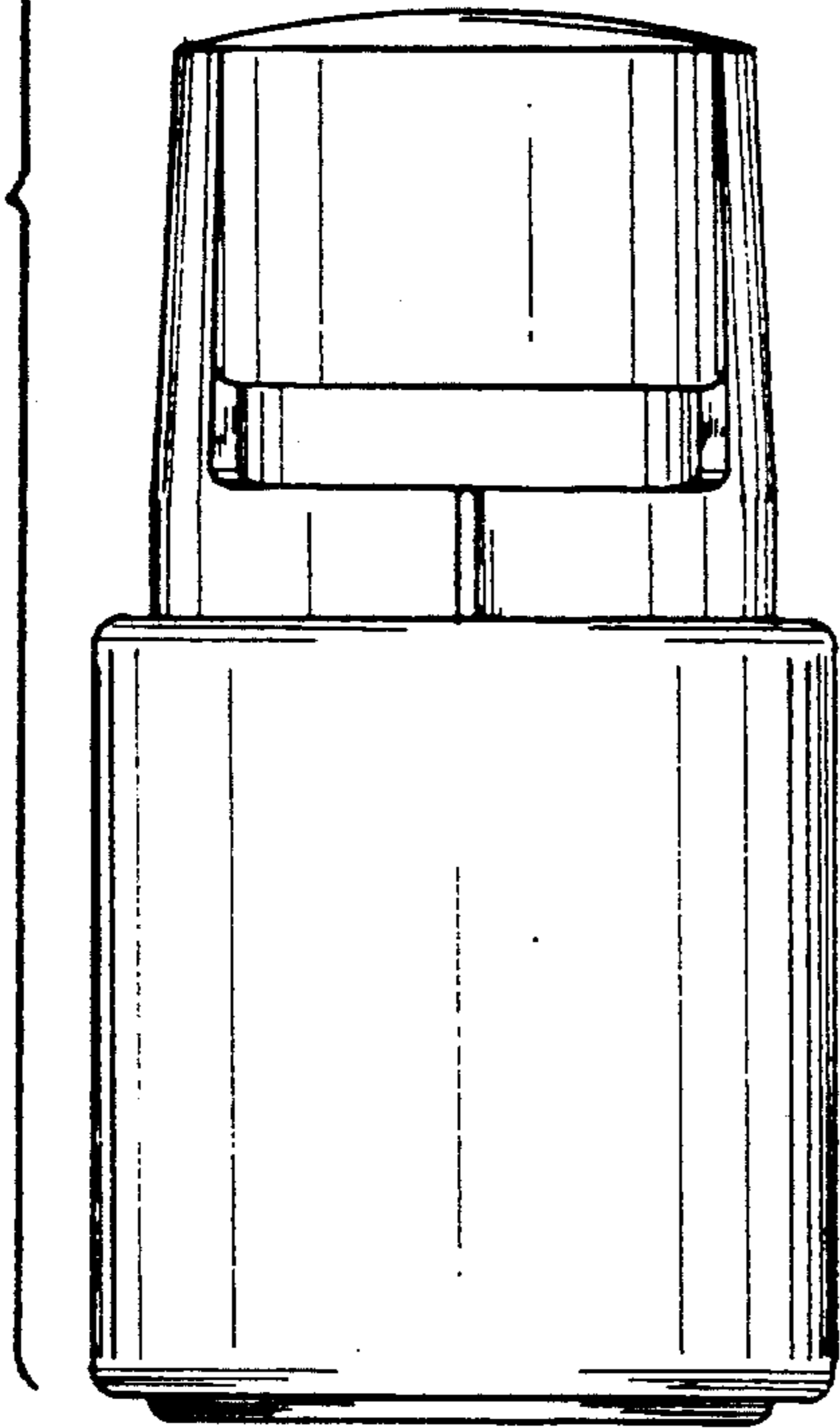


Fig. 3

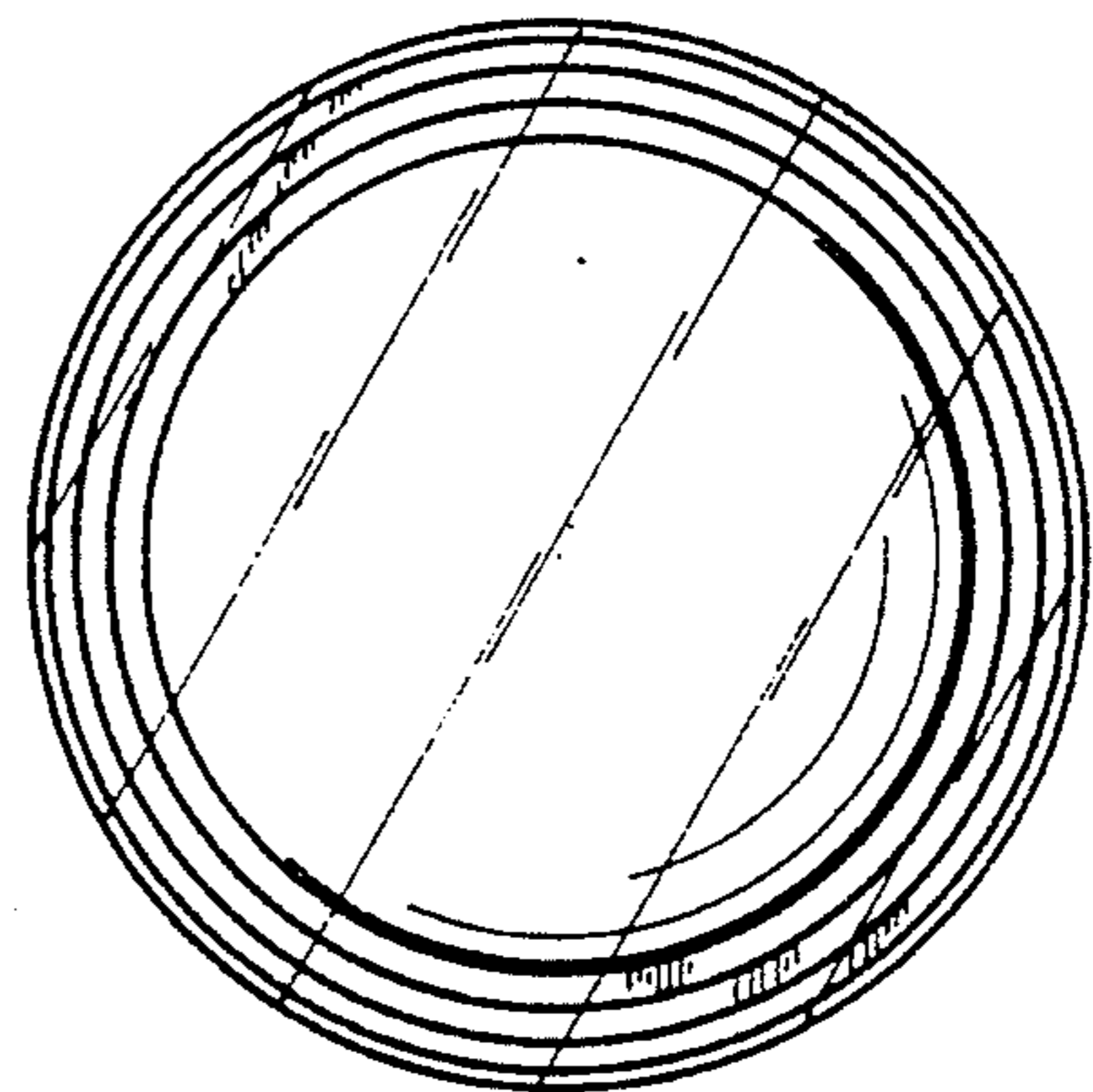


Fig. 5

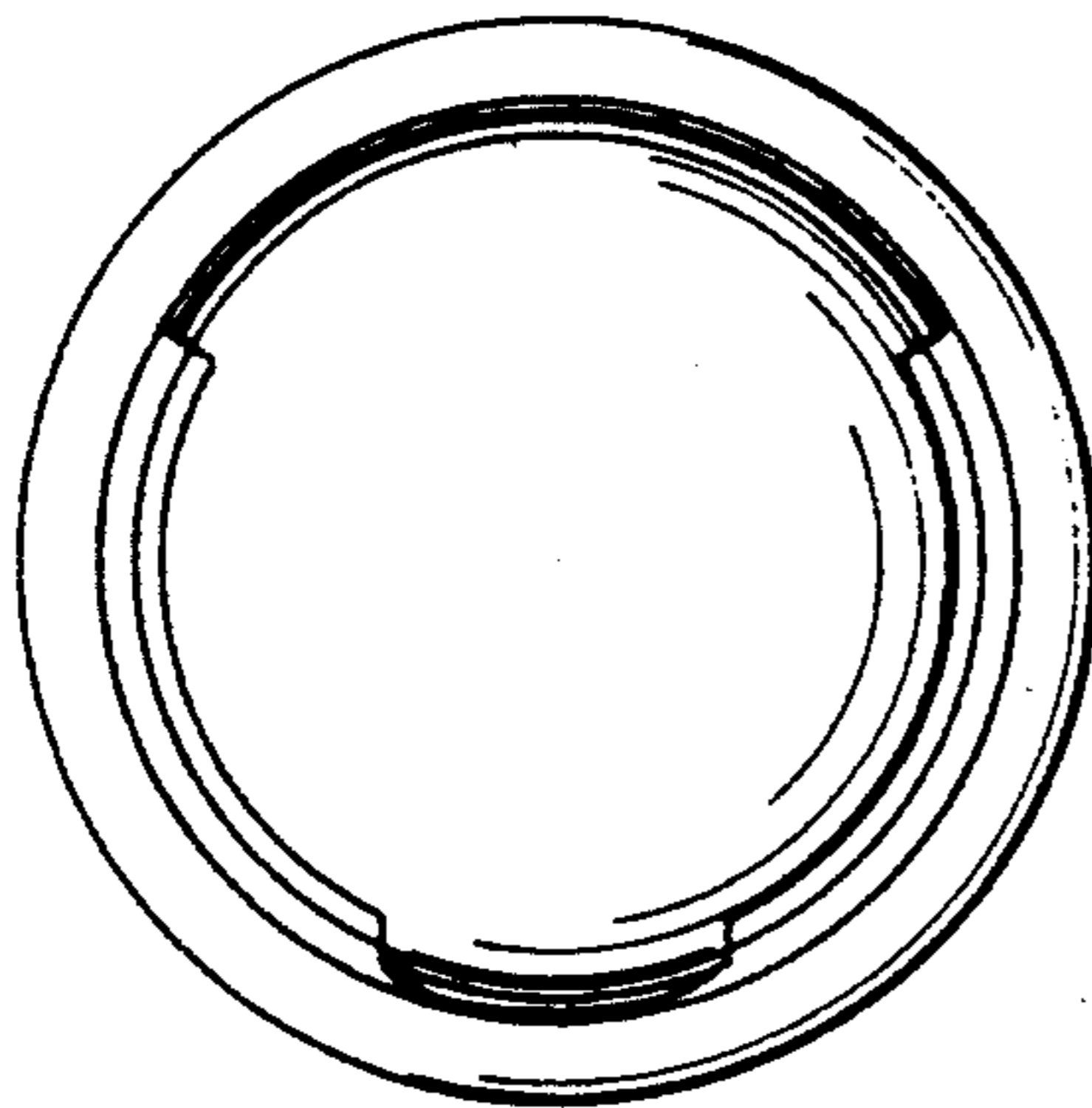


Fig. 6

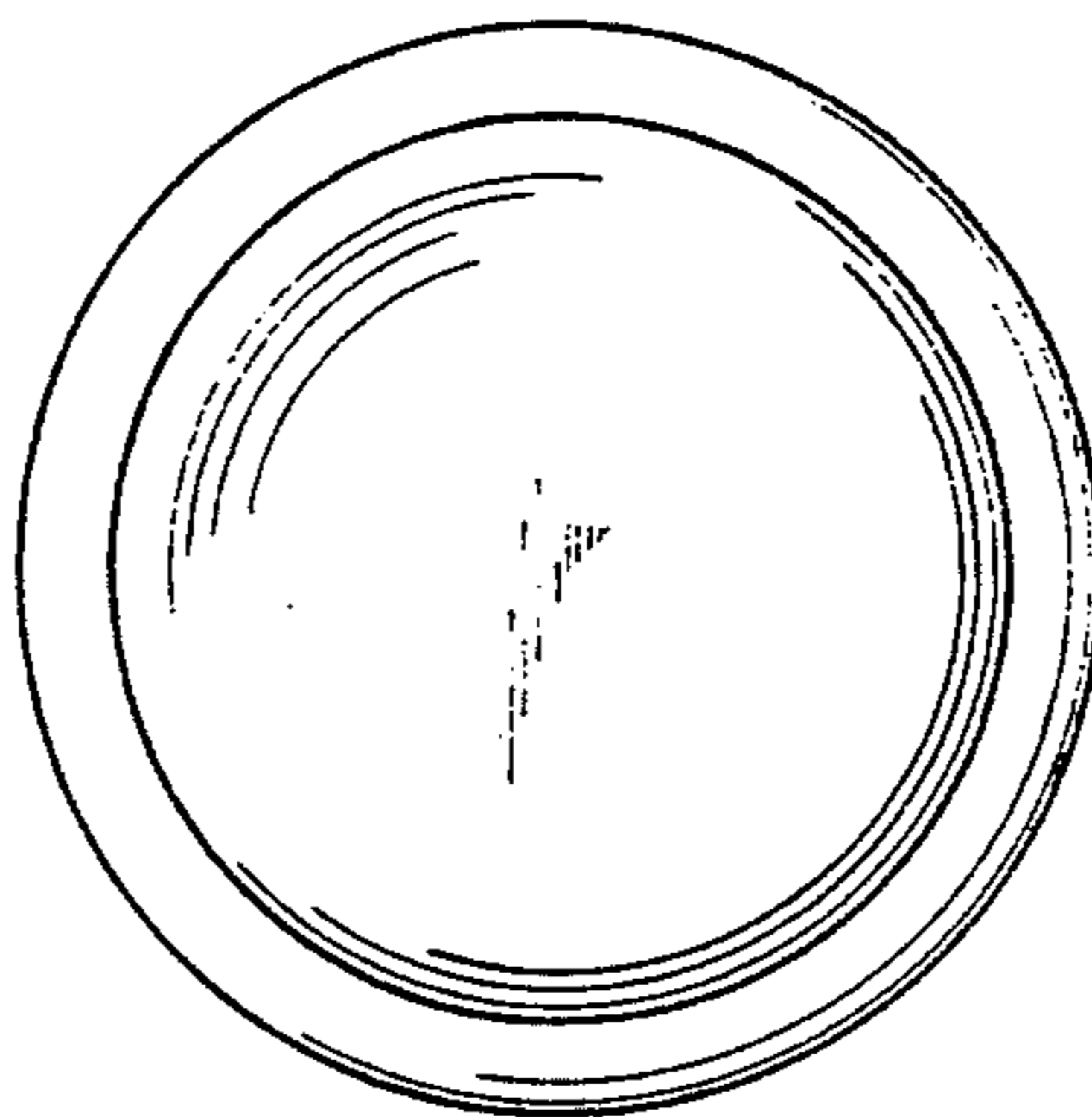


Fig. 7

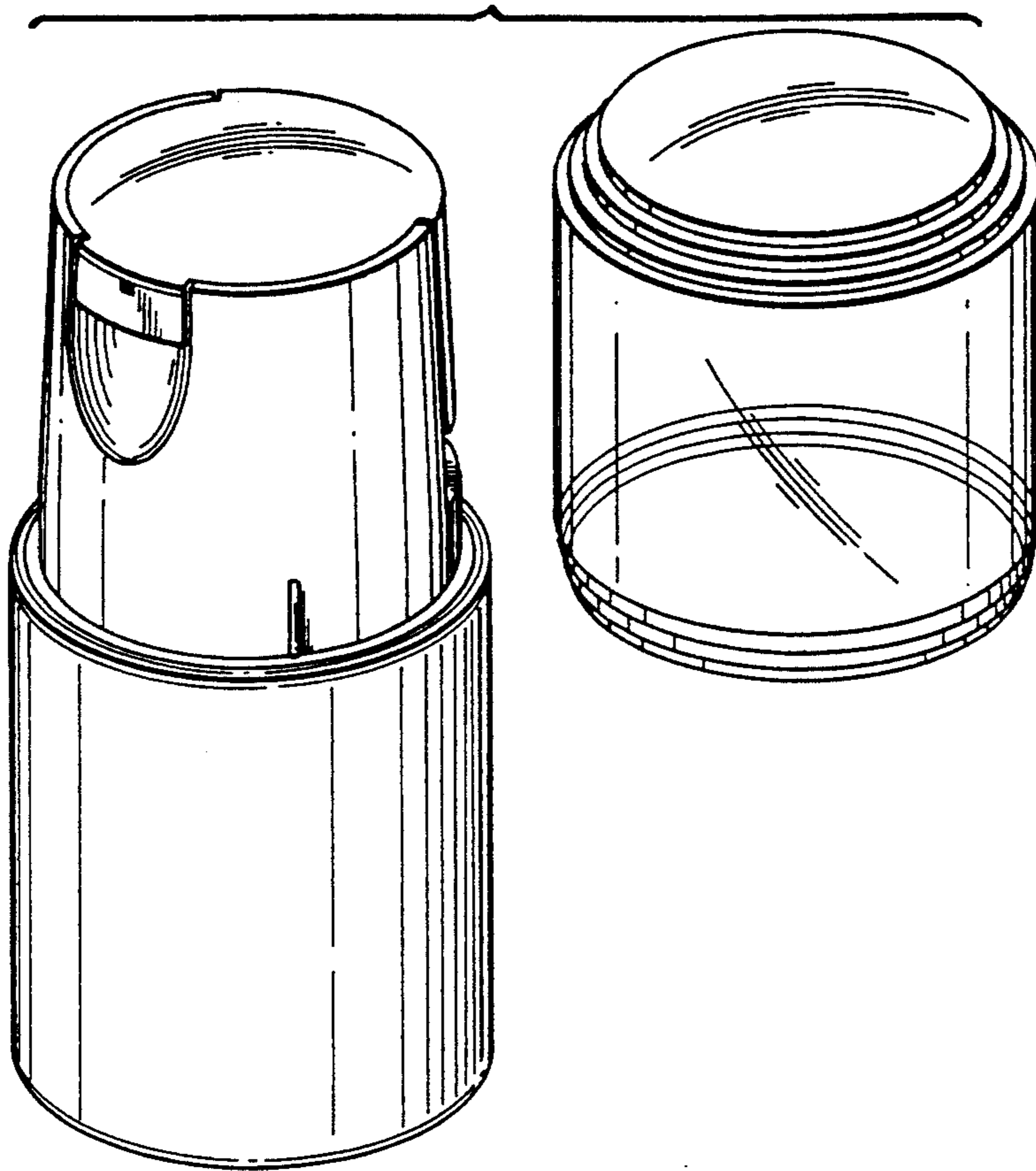


FIG. 8

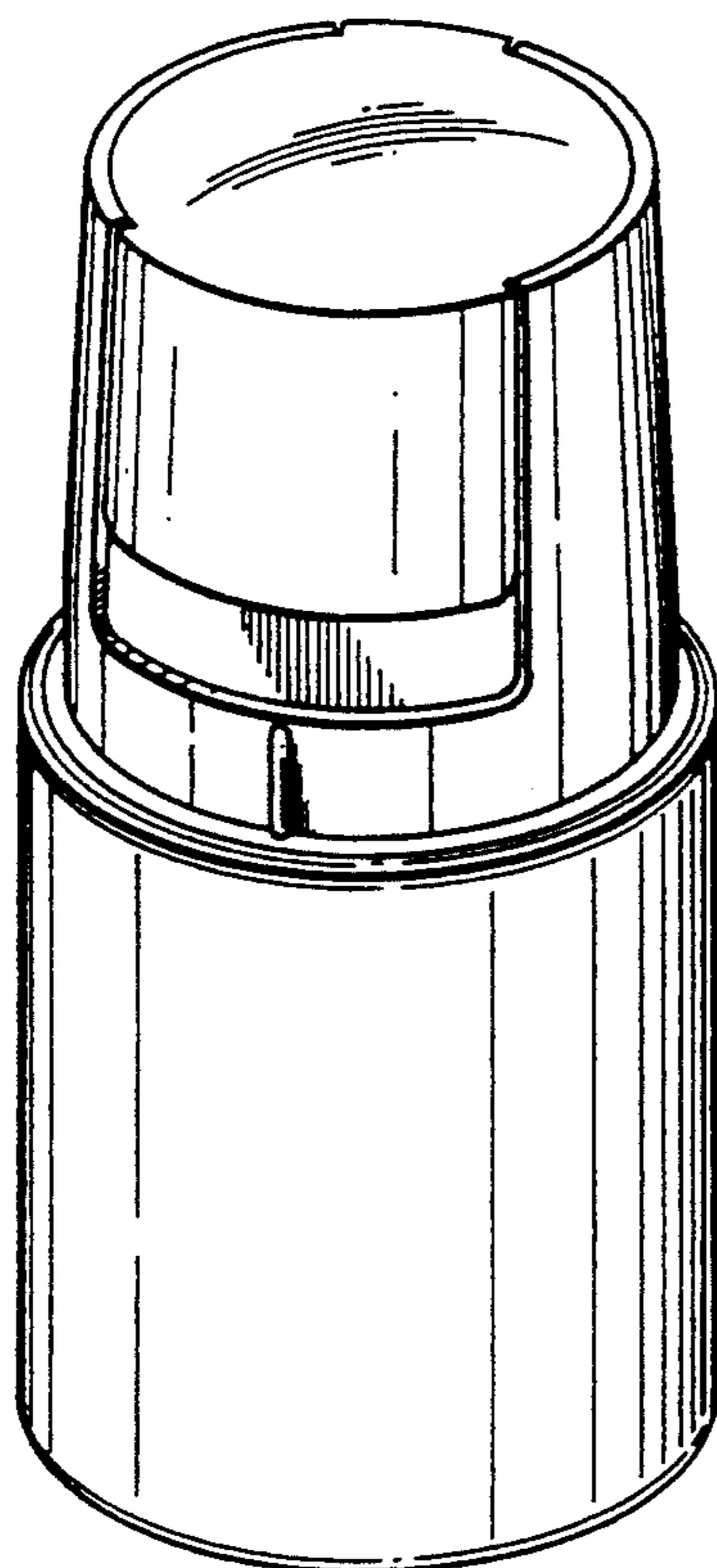


FIG. 9