



US00D347163S

United States Patent [19]

[11] Patent Number: **Des. 347,163**

Issard

[45] Date of Patent: **** May 24, 1994**

[54] U BOLT ASSEMBLY

4,209,155 6/1980 Florian 248/74.4
5,044,584 9/1991 Lin 248/231.1

[75] Inventor: **Gerard Issard, Thiers, France**

[73] Assignee: **Wichard, Thiers, France**

[**] Term: **14 Years**

[21] Appl. No.: **766,173**

[22] Filed: **Sep. 23, 1991**

[30] Foreign Application Priority Data

Apr. 29, 1991 [FR] France 912680

[52] U.S. Cl. **D8/387; D8/397**

[58] Field of Search **D8/349, 356, 382, 387,
D8/397, 399, 350; 411/378, 388, 389, 368, 371,
427, 531, 83, 101, 172, 337; 248/231.1, 74.4,
231, 499**

[56] References Cited

U.S. PATENT DOCUMENTS

369,392 9/1887 Bungarz 411/389
456,379 7/1891 Jones et al. 411/427
1,279,297 9/1918 Drohan 248/74.4
3,060,538 10/1962 Simi 411/337

OTHER PUBLICATIONS

"Hardware", by Stanley; Cat. 130, Nov. 1979; p. 162; "U" bolts.

"Marine Surplus Seller", Cat.; Feb. 1946; p. 58; rope clip (left of center).

Primary Examiner—**B. J. Bullock**

Attorney, Agent, or Firm—**Young & Thompson**

[57] CLAIM

The ornamental design for a U bolt assembly, as shown and described.

DESCRIPTION

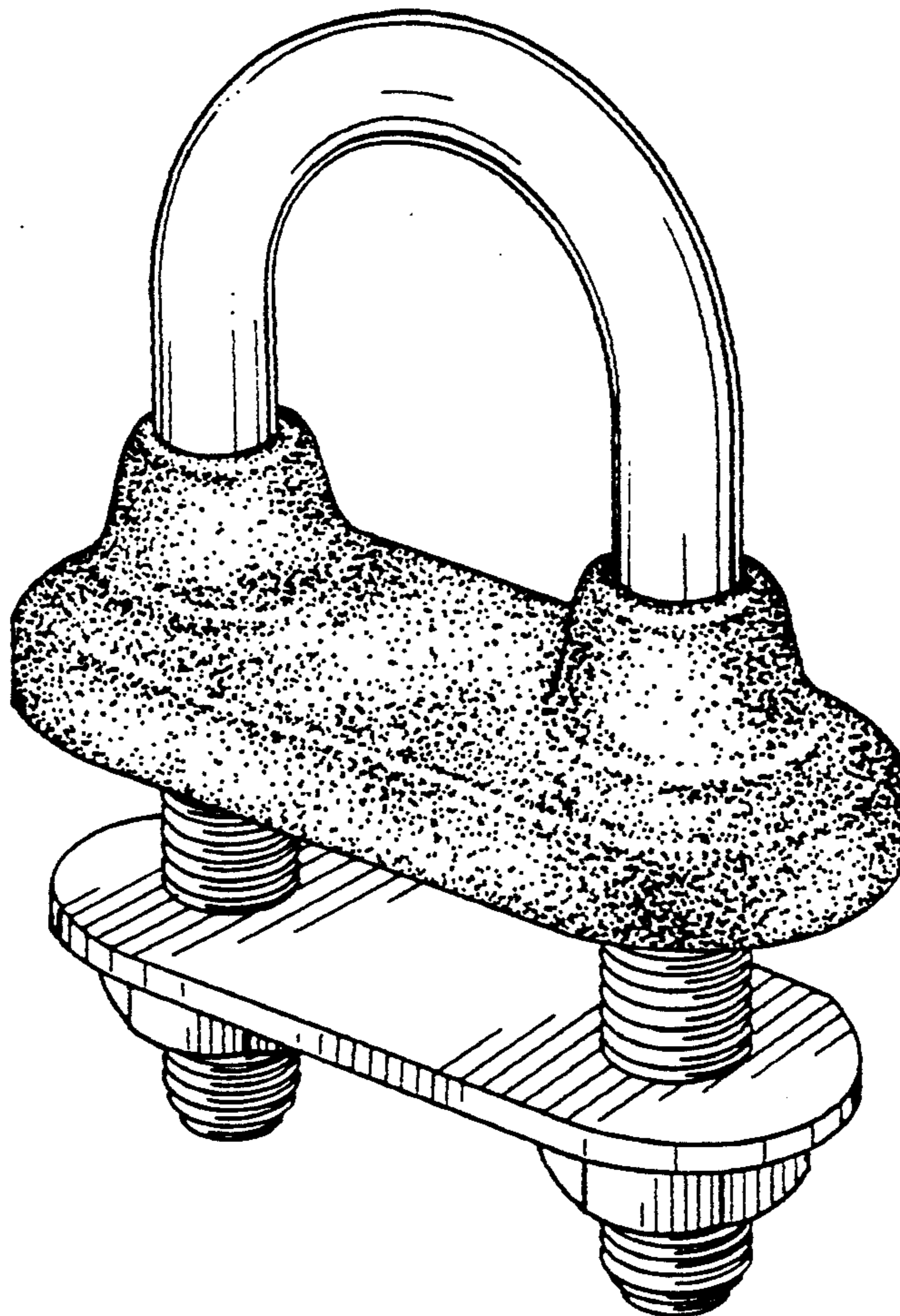
FIG. 1 is a perspective view of a U bolt assembly showing my new design;

FIG. 2 is a front elevational view thereof, the side opposite that shown in FIG. 2 being identical thereto;

FIG. 3 is a side elevational view thereof, the side opposite that shown in FIG. 3 being identical thereto;

FIG. 4 is a top plan view thereof; and,

FIG. 5 is a bottom plan view thereof.



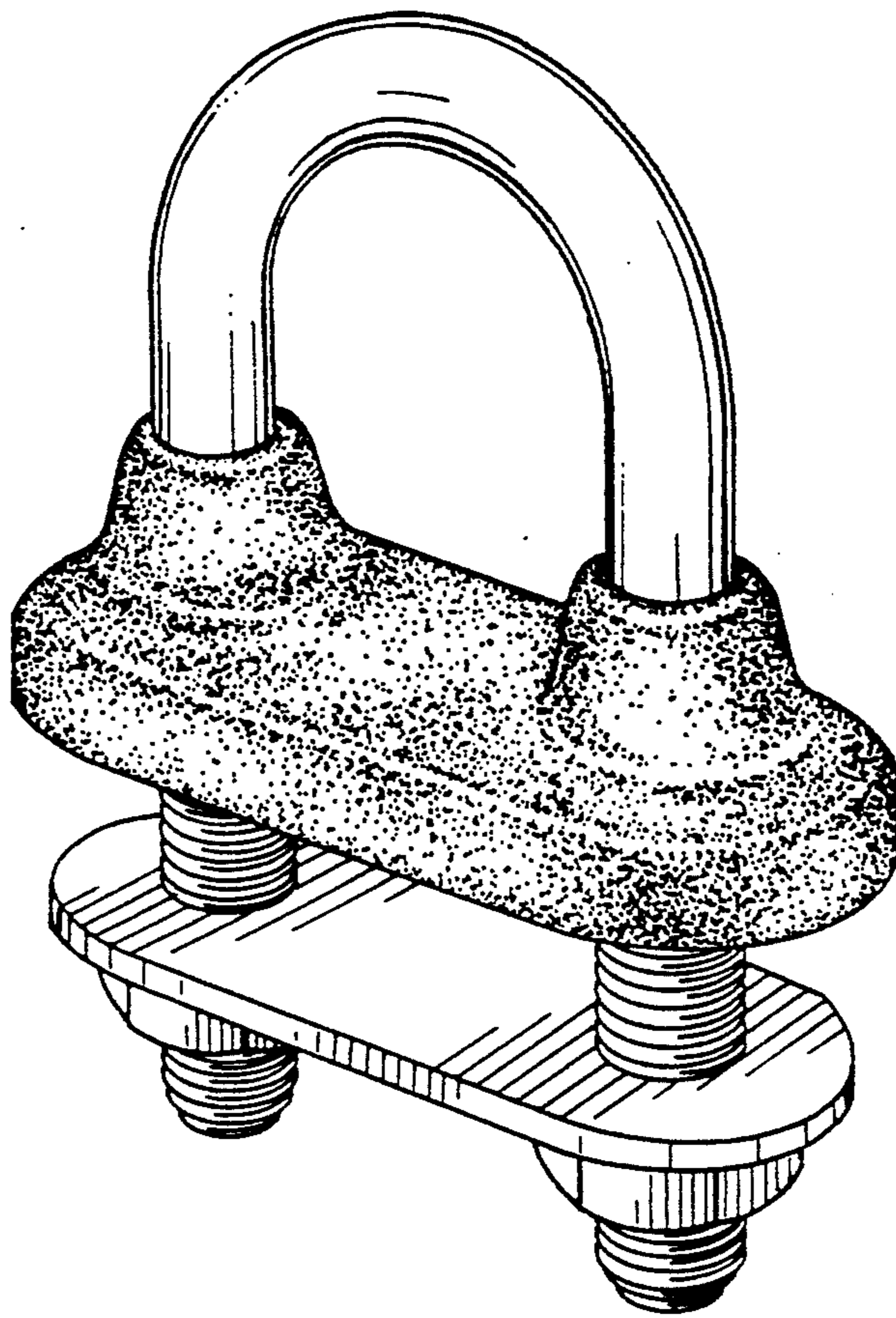


FIG. 1

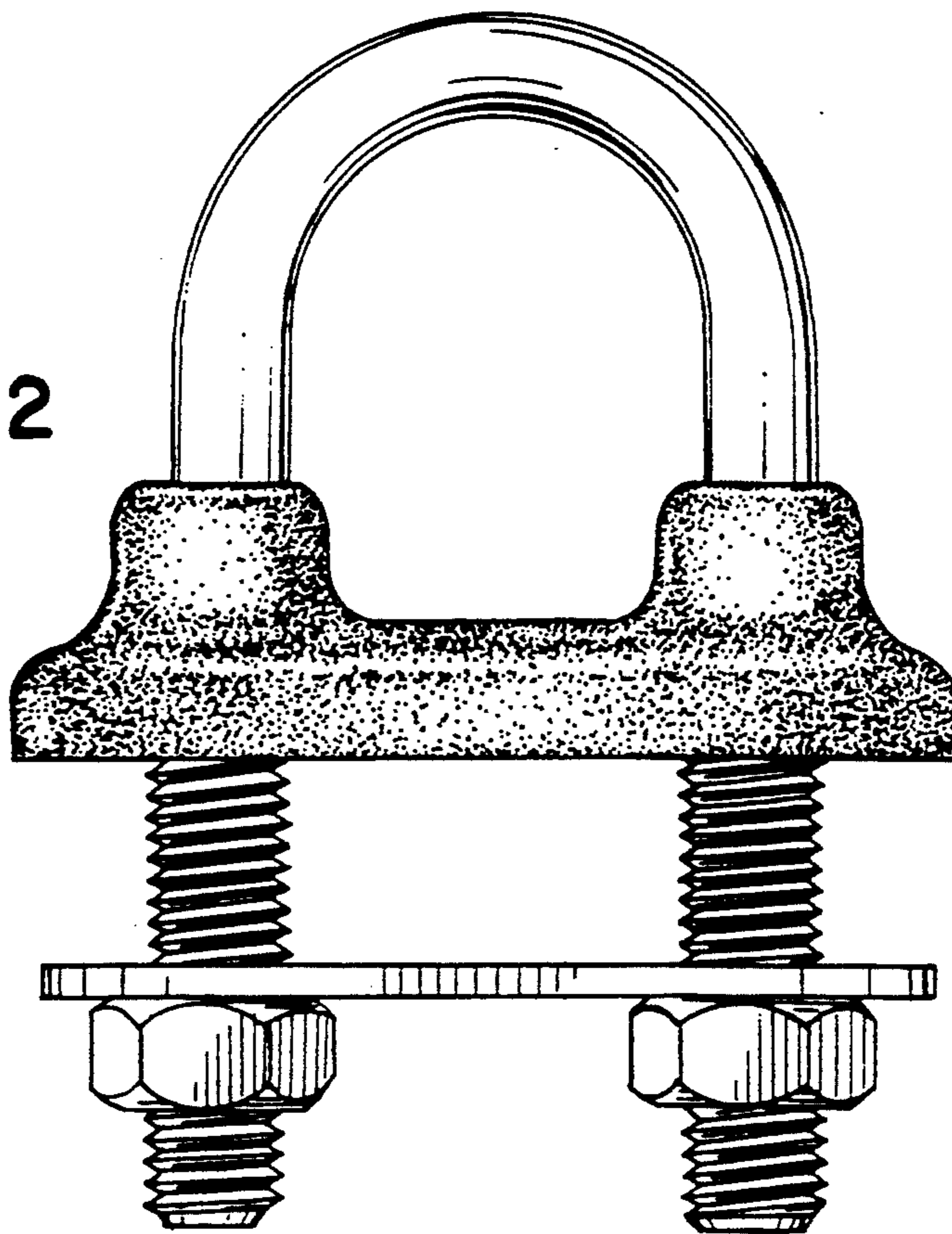


FIG. 2

FIG. 3

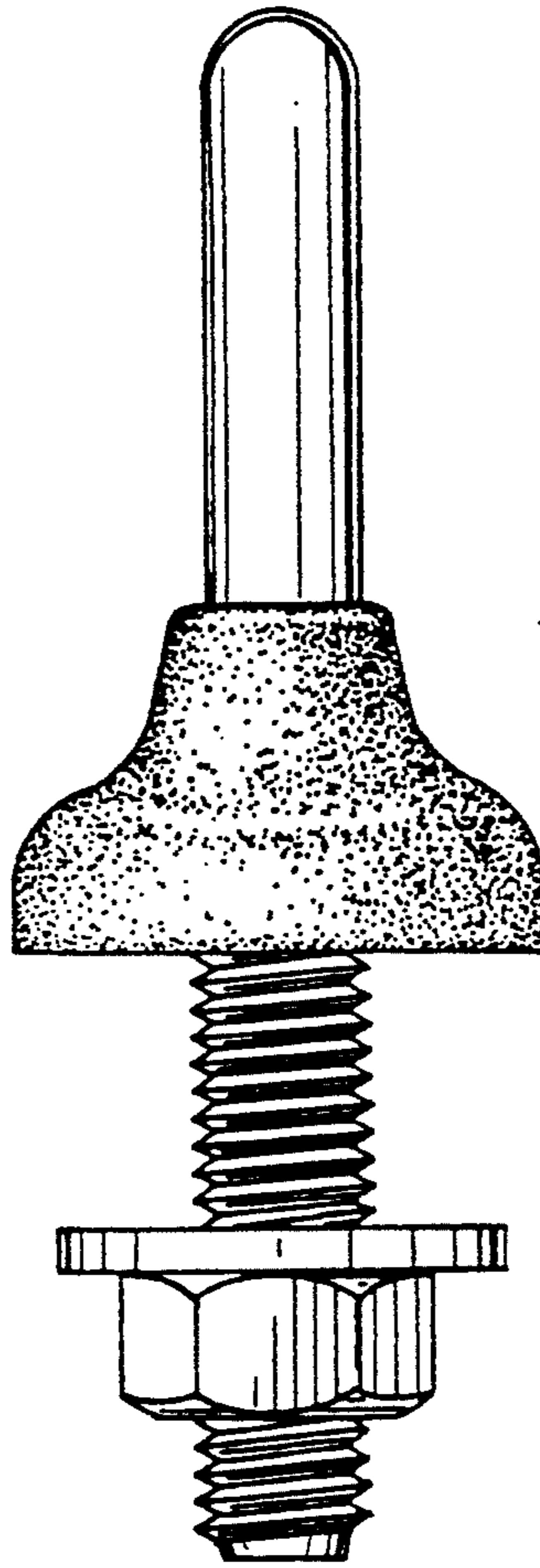


FIG. 4

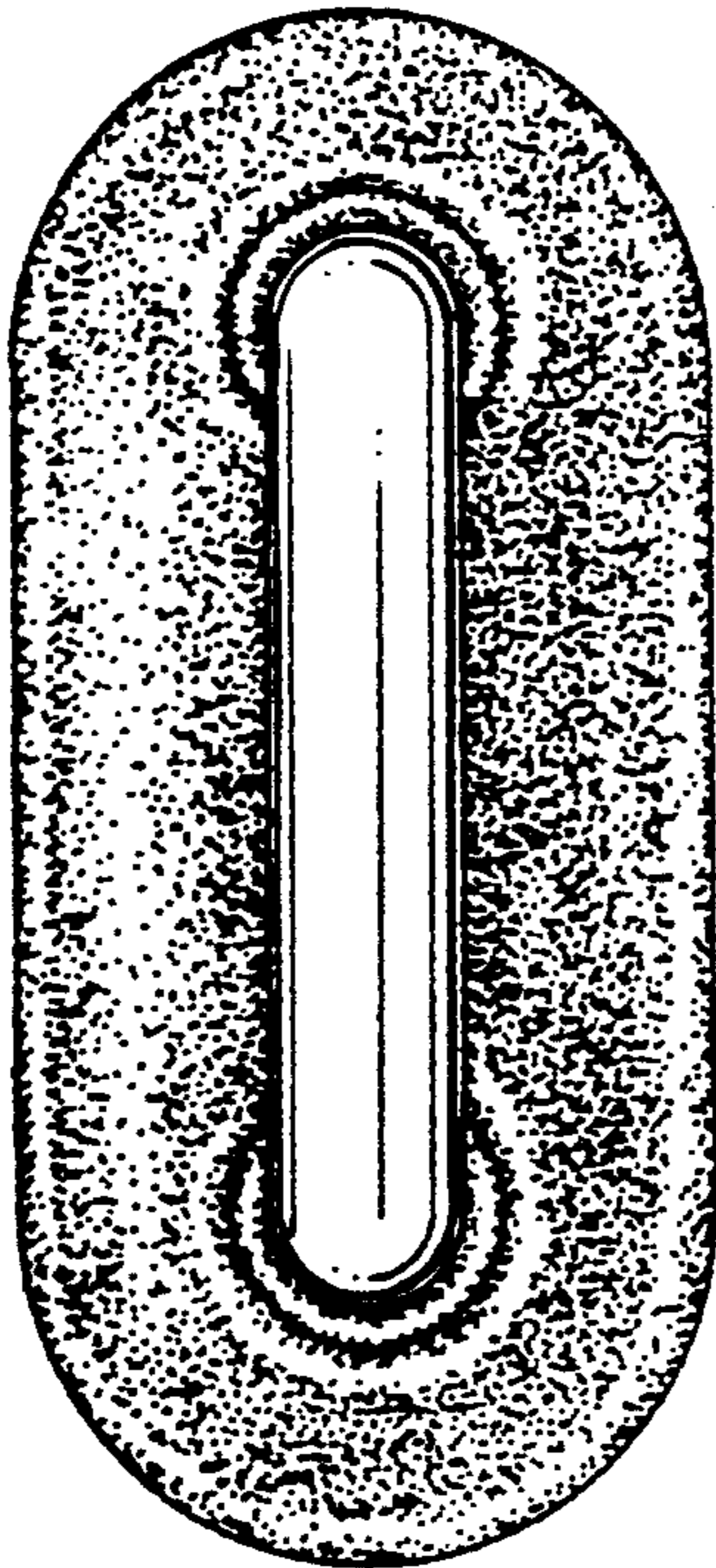


FIG. 5

