



US00D347162S

United States Patent [19]

[11] Patent Number: Des. 347,162

Simonsen

[45] Date of Patent: ** May 24, 1994

[54] SHOCK ABSORBING CASTER

[75] Inventor: Robert J. Simonsen, Evansville, Ind.

[73] Assignee: Babcock Industries Inc., Fairfield, Conn.

[**] Term: 14 Years

[21] Appl. No.: 736

[22] Filed: Oct. 23, 1992

[52] U.S. Cl. D8/375

[58] Field of Search D8/375; 16/18 CG, 18 R, 16/44, 35 R, 33

4,575,896 3/1986 Nakao et al. .
4,685,174 8/1987 Hager .

FOREIGN PATENT DOCUMENTS

7723790 8/1977 France .

OTHER PUBLICATIONS

Noelting Catalog, 1965, p. 58, caster, located at top of page.

Hoelting Catalog, 1965, p. 41, caster, series H1600, located at top of page.

Primary Examiner—Wallace R. Burke
Assistant Examiner—Holly Baynham
Attorney, Agent, or Firm—Woodard, Emhardt, Naughton, Moriarty & McNett

[56] References Cited

U.S. PATENT DOCUMENTS

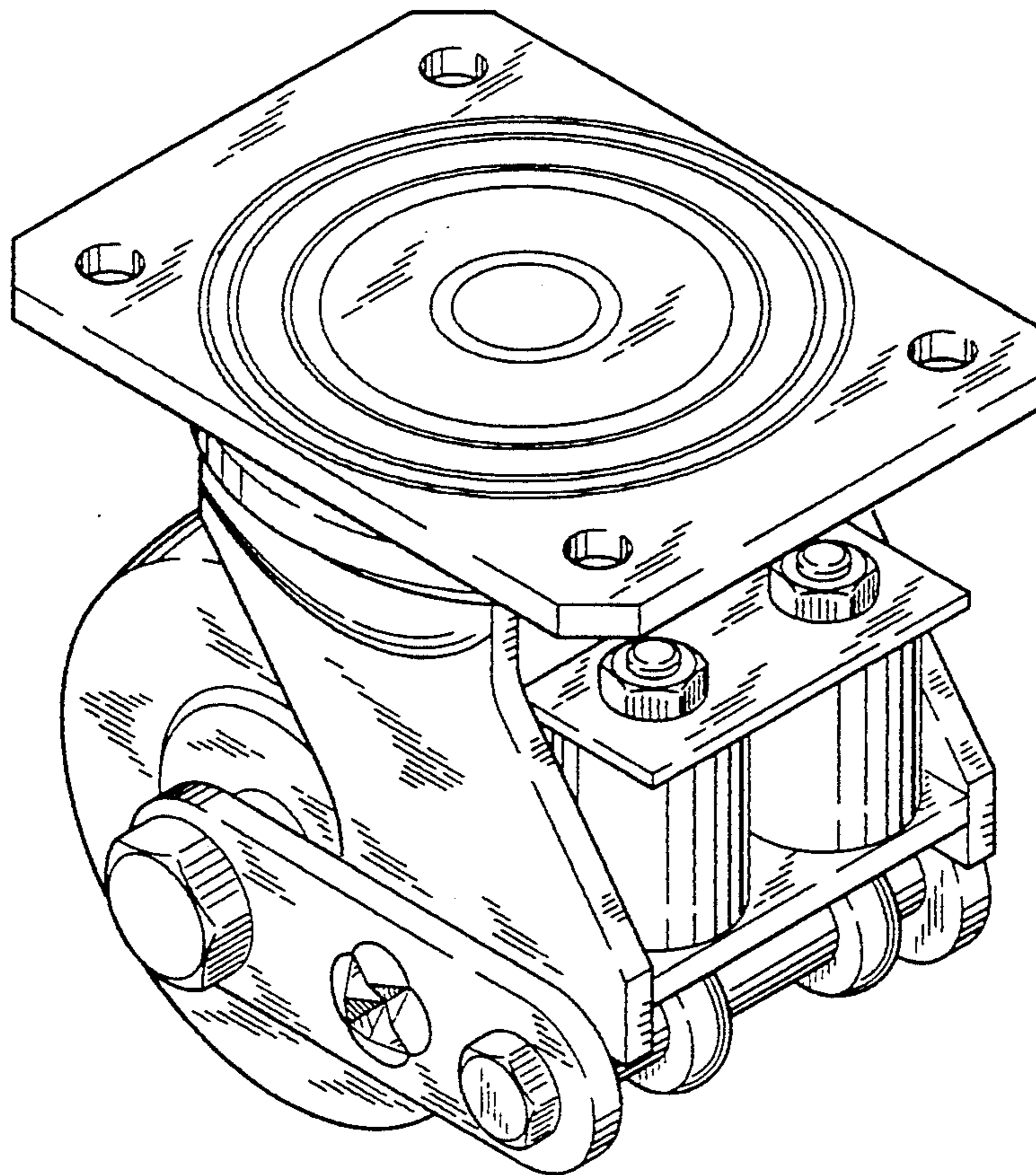
D. 308,934	7/1990	Howell et al.	D8/375
D. 313,927	1/1991	Orii	D8/375
D. 313,928	1/1991	Orii	D8/375
D. 334,136	3/1993	McCord et al.	D8/375
2,442,831	6/1948	Suttles .	
2,707,795	5/1955	Skupas	16/44
3,628,214	12/1971	MacKay	16/35 R
3,636,586	1/1972	Bollinger	16/35 R
3,860,992	1/1975	Legg	16/35 R
3,949,444	4/1976	Mattinson	16/35 R
4,349,937	9/1982	Fontana	16/35 R
4,485,521	12/1984	Welsch et al. .	
4,559,669	12/1985	Bonzer et al. .	

[57] CLAIM

The ornamental design for a shock absorbing caster, as shown and described.

DESCRIPTION

FIG. 1 is a perspective view of a shock absorbing caster, showing my new design;
FIG. 2 is a top plan view thereof;
FIG. 3 is a bottom plan view thereof;
FIG. 4 is a rear view thereof;
FIG. 5 is a right-hand view thereof;
FIG. 6 is a front view thereof; and,
FIG. 7 is a left-hand view thereof.



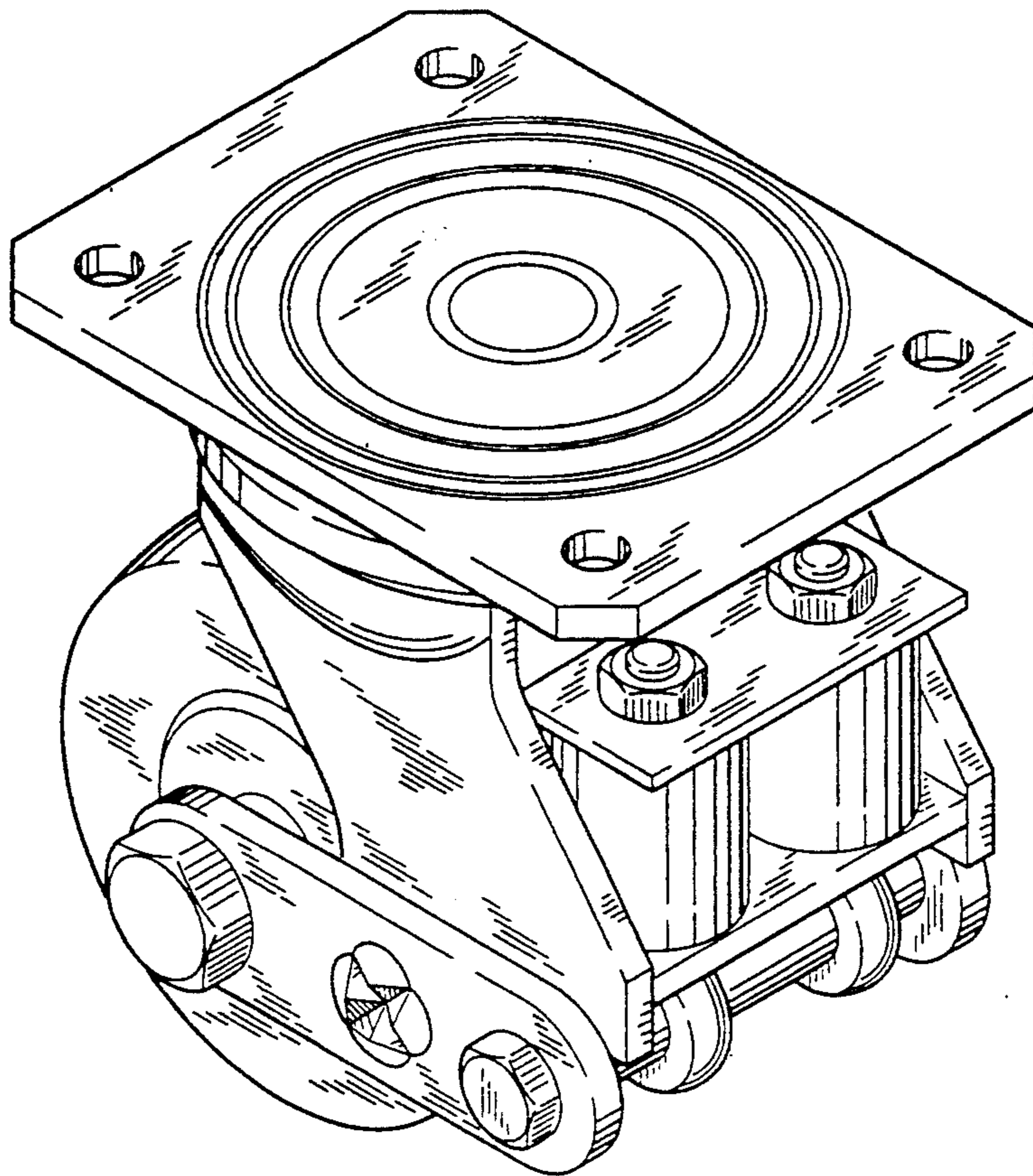


Fig. 1

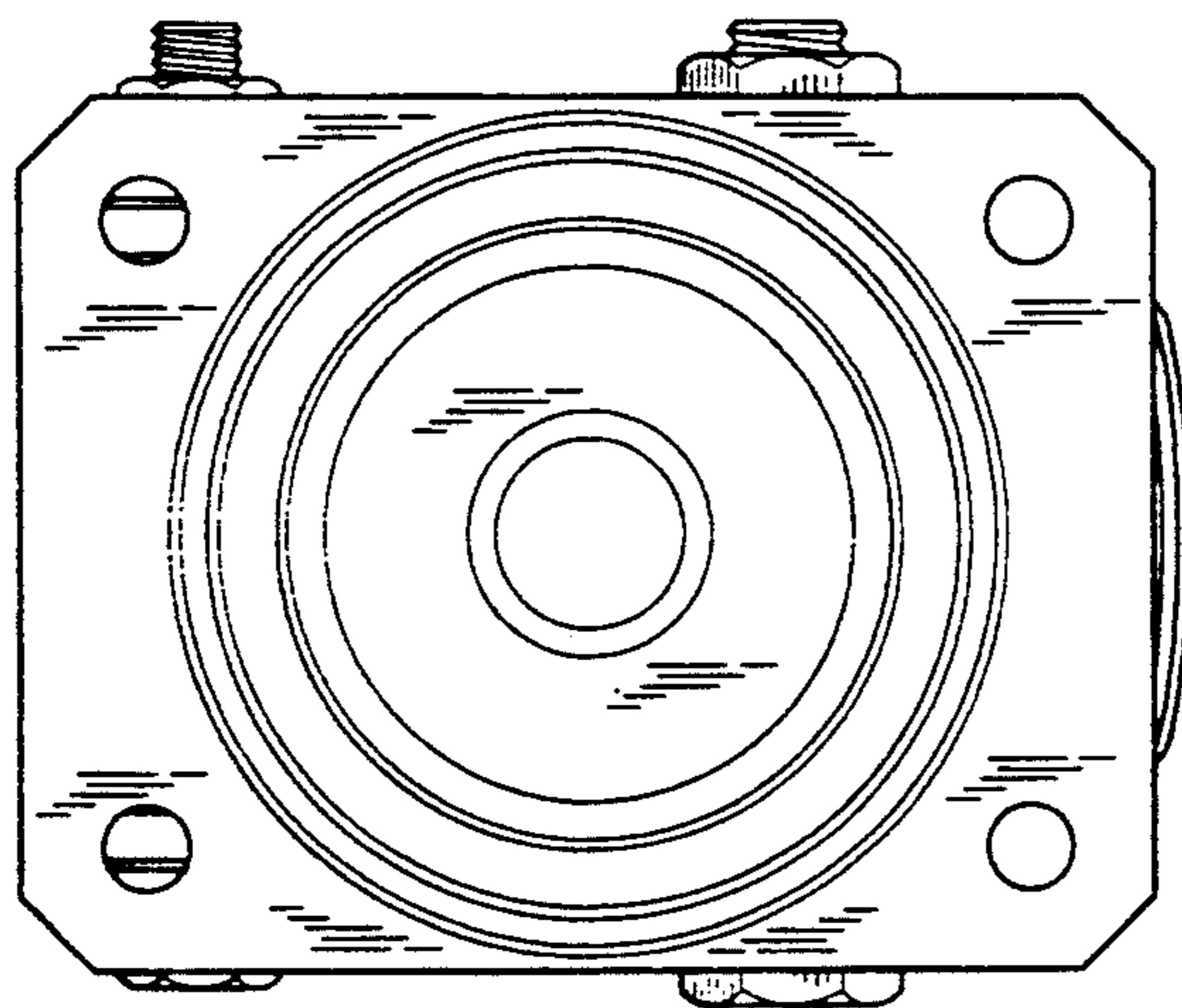


Fig. 2

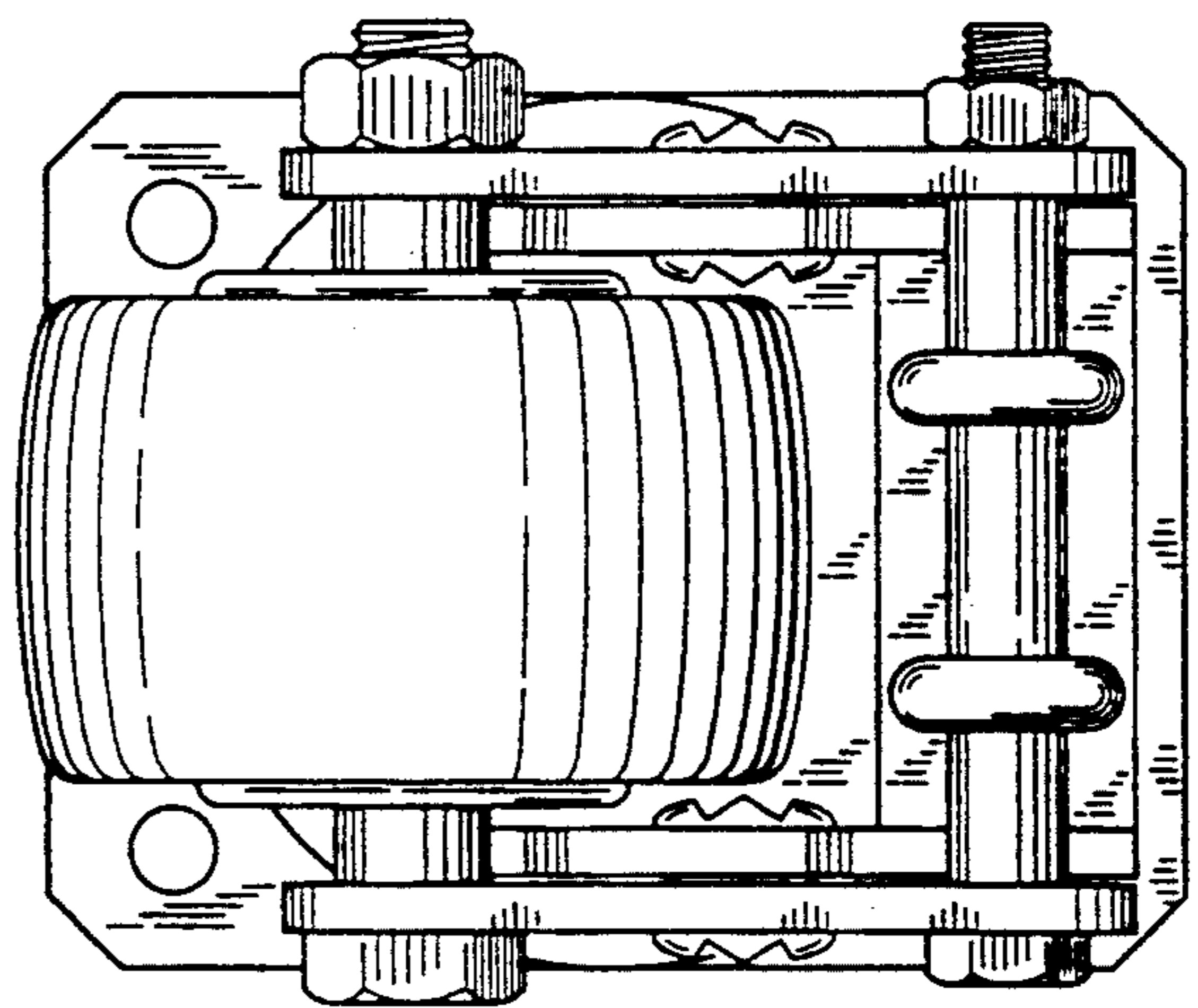


Fig. 3

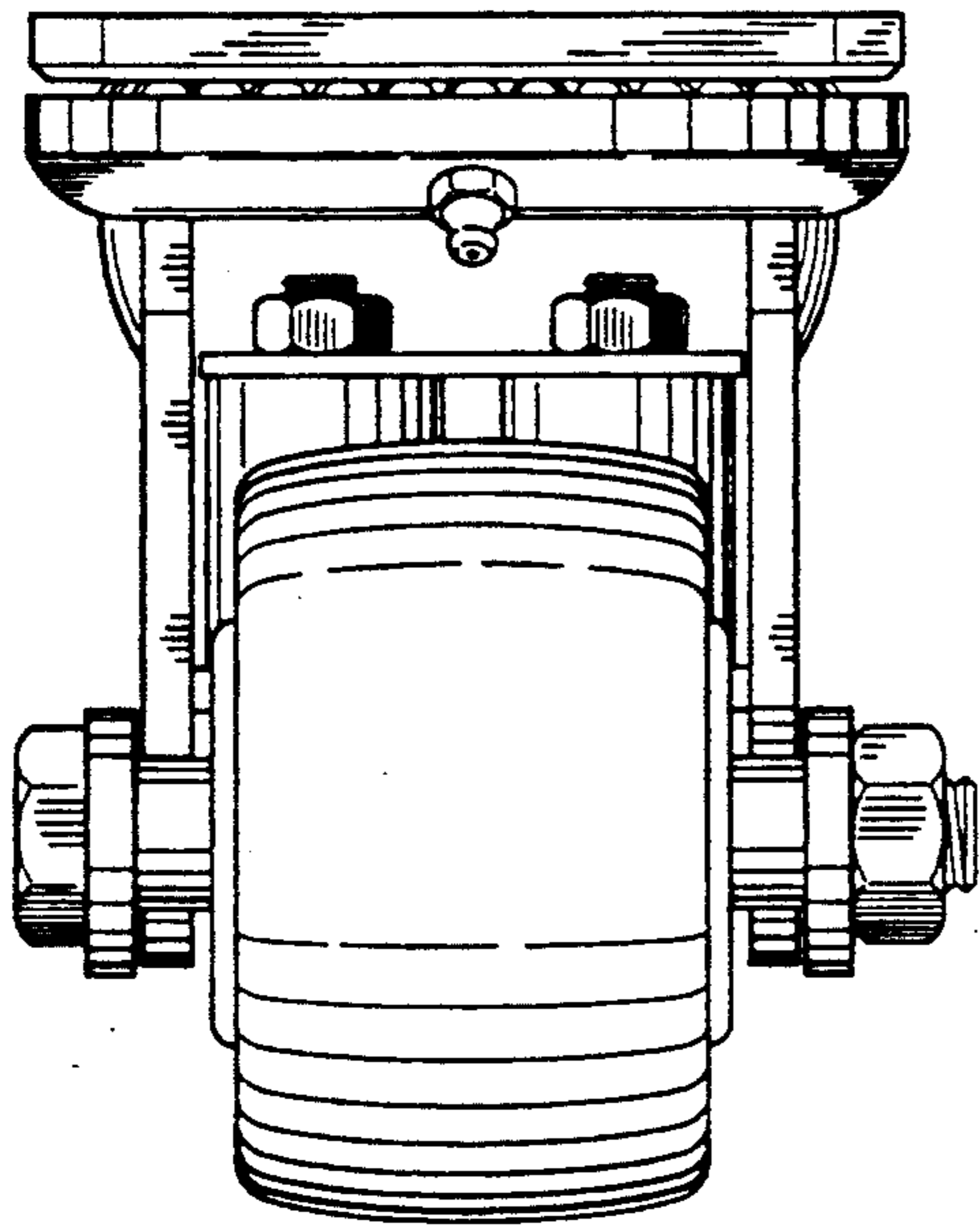


Fig. 4

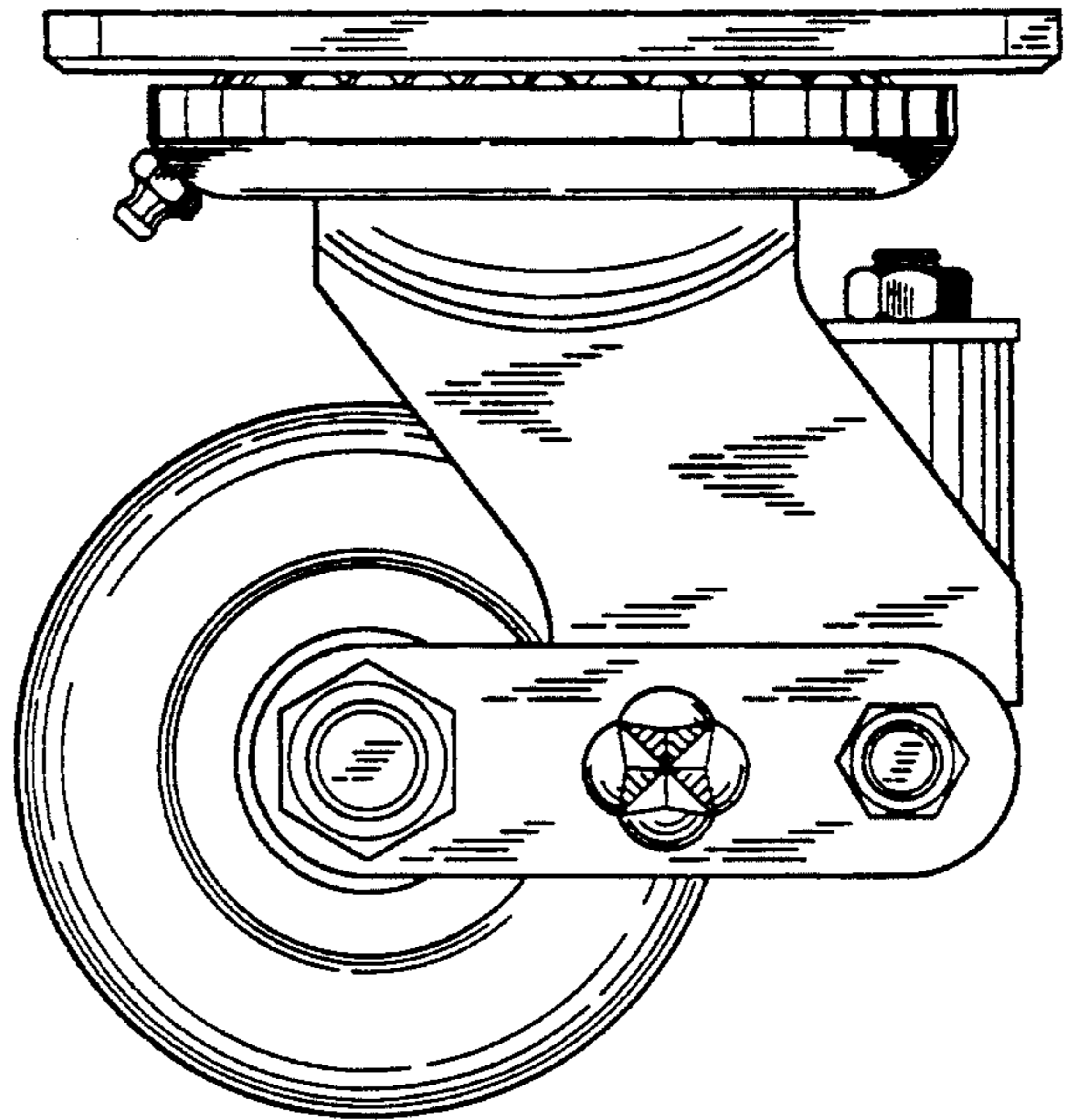


Fig. 5

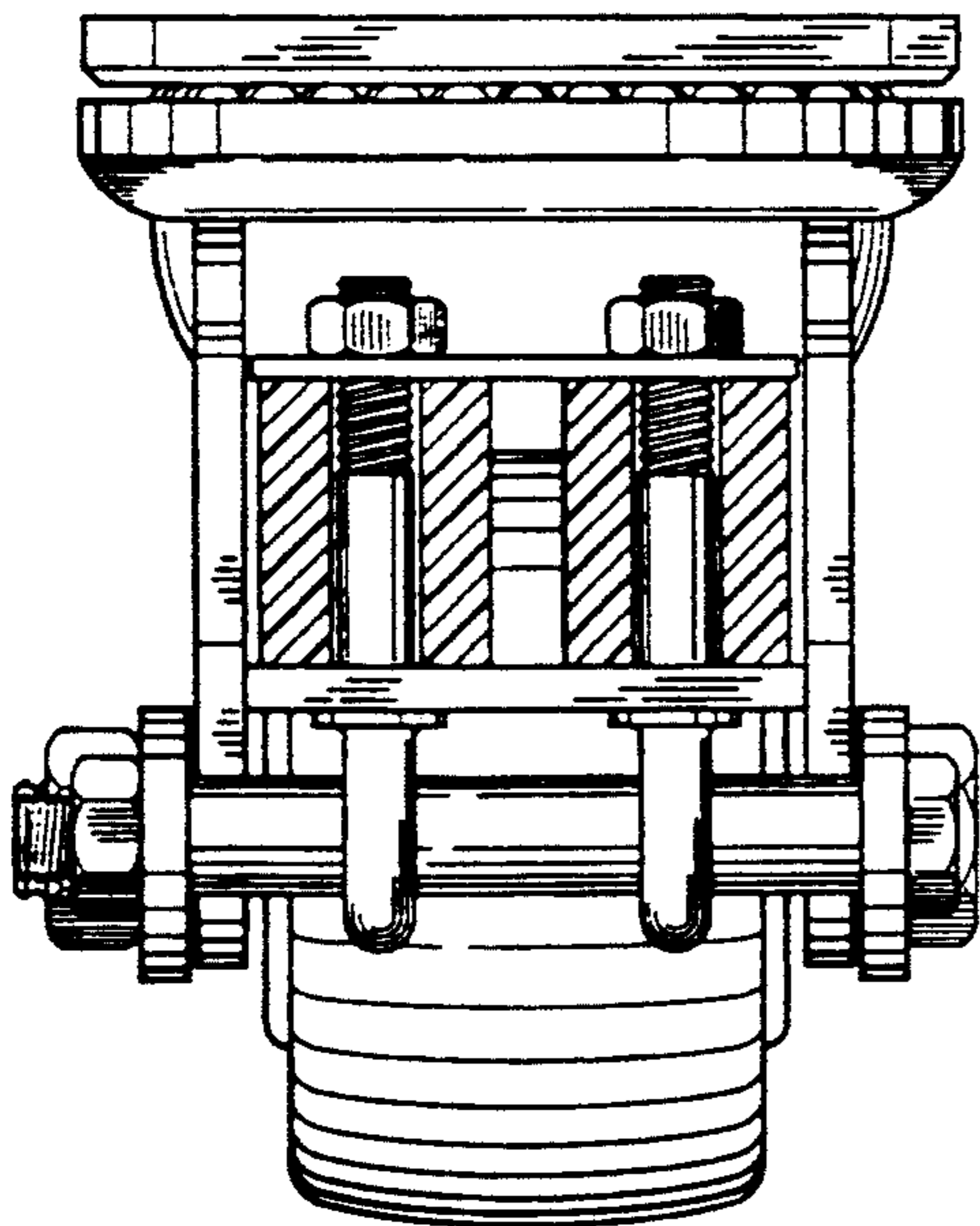


Fig. 6

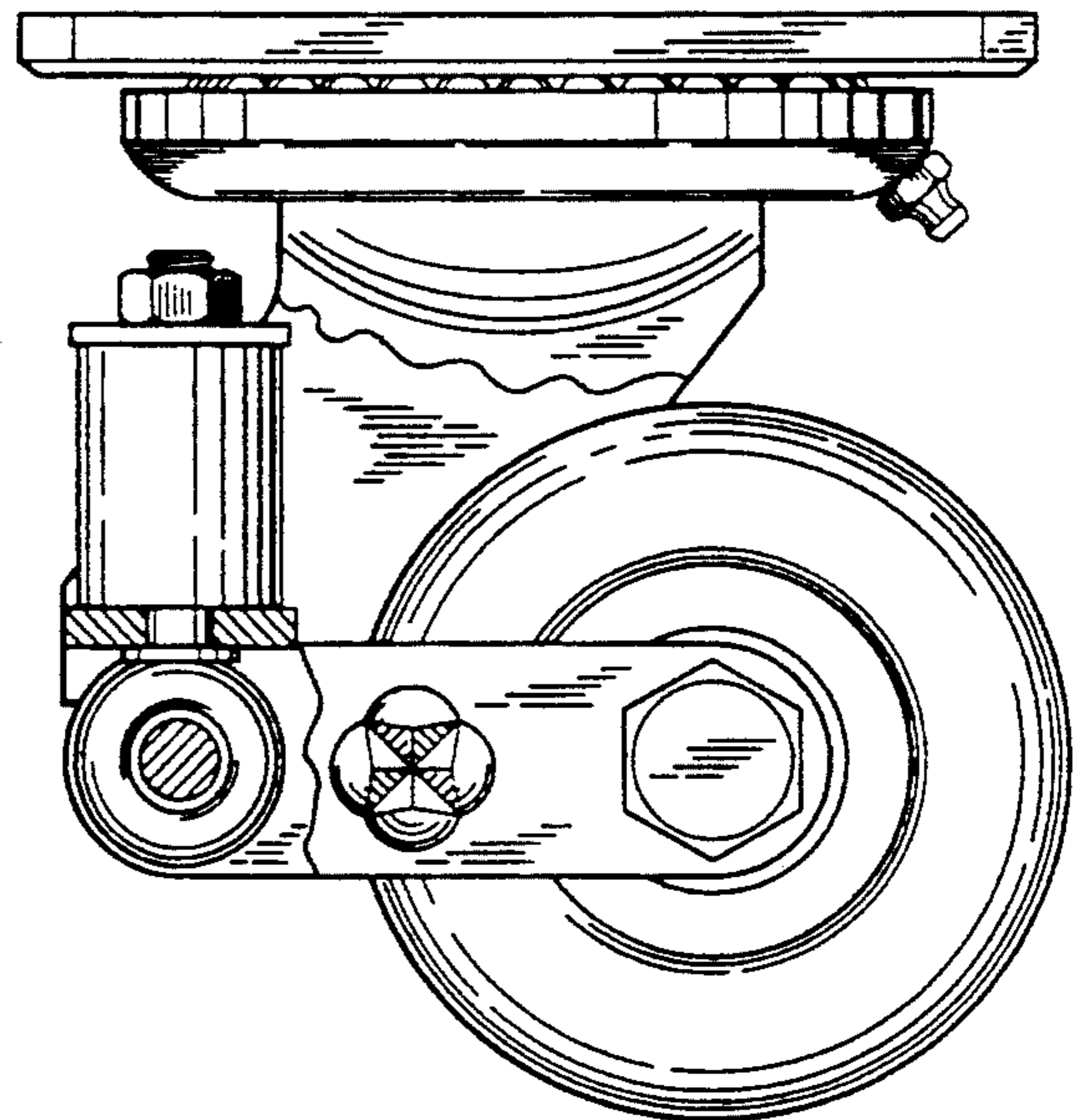


Fig. 7