



US00D347161S

United States Patent [19]

[11] Patent Number: Des. 347,161

Conaway et al.

[45] Date of Patent: ** May 24, 1994

[54] **CASTER PLUG**

[75] Inventors: **Brian J. Conaway**, Wooster; **Tyrone M. Keyes**, Mason, both of Ohio

[73] Assignee: **Rubbermaid Incorporated**, Wooster, Ohio

[**] Term: **14 Years**

[21] Appl. No.: **909,820**

[22] Filed: **Jul. 8, 1992**

[52] U.S. Cl. **D8/375**

[58] Field of Search **D8/375; 16/1 R, 43**

[56] **References Cited**

U.S. PATENT DOCUMENTS

3,128,495	4/1964	Tooth	16/43
3,197,802	8/1965	Fontana et al.	16/43

OTHER PUBLICATIONS

Darcor Casters, Jan. 15, 1986, p. 9, square socket, item A 3rd row down in middle of row.
 Darcor Castors, Jan. 15, 1986, p. 7, plastic inserts, item A located at bottom right of page.
 Page 164, Sockets for Caster Holes, United Stationers

Supply Company, 2200 East Golf Road, Des Plaines, IL 60016, Publication date 1991.

Primary Examiner—Wallace R. Burke

Assistant Examiner—H. Baynham

Attorney, Agent, or Firm—Richard B. O'Planick; Lisa B. Riedesel

[57] **CLAIM**

The ornamental design for a caster plug, as shown and described.

DESCRIPTION

FIG. 1 is a top left front perspective view of a caster plug showing our new design;

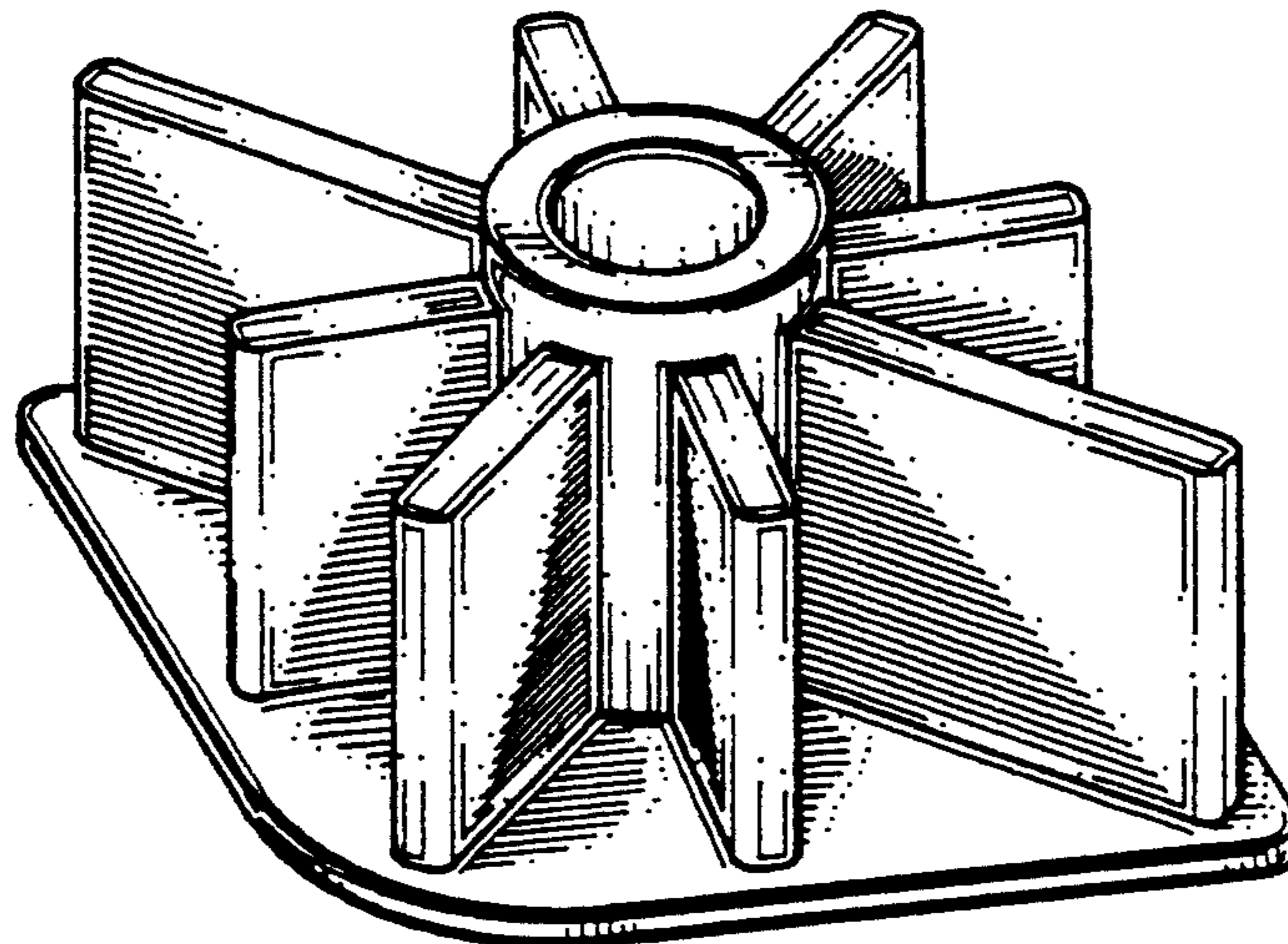
FIG. 2 is a top left front perspective view thereof with the broken line showing of a caster being for illustrative purposes only and forming no part of the claimed design;

FIG. 3 is a top plan view thereof;

FIG. 4 is a left side elevational view thereof; the opposite side being a mirror image;

FIG. 5 is a bottom plan view thereof; and,

FIG. 6 is a front elevational view thereof; the rear elevational view being a mirror image.



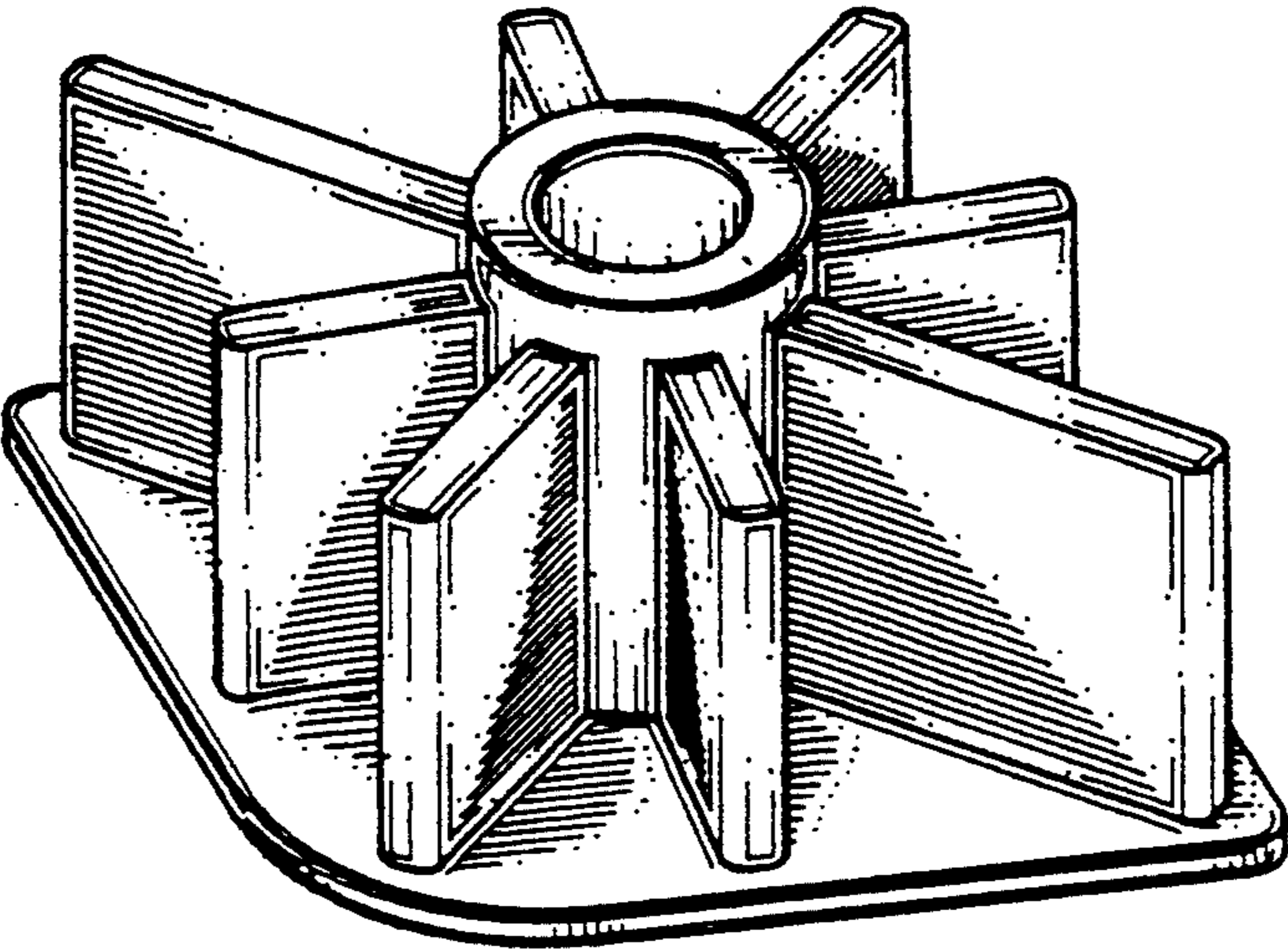


FIG. 1

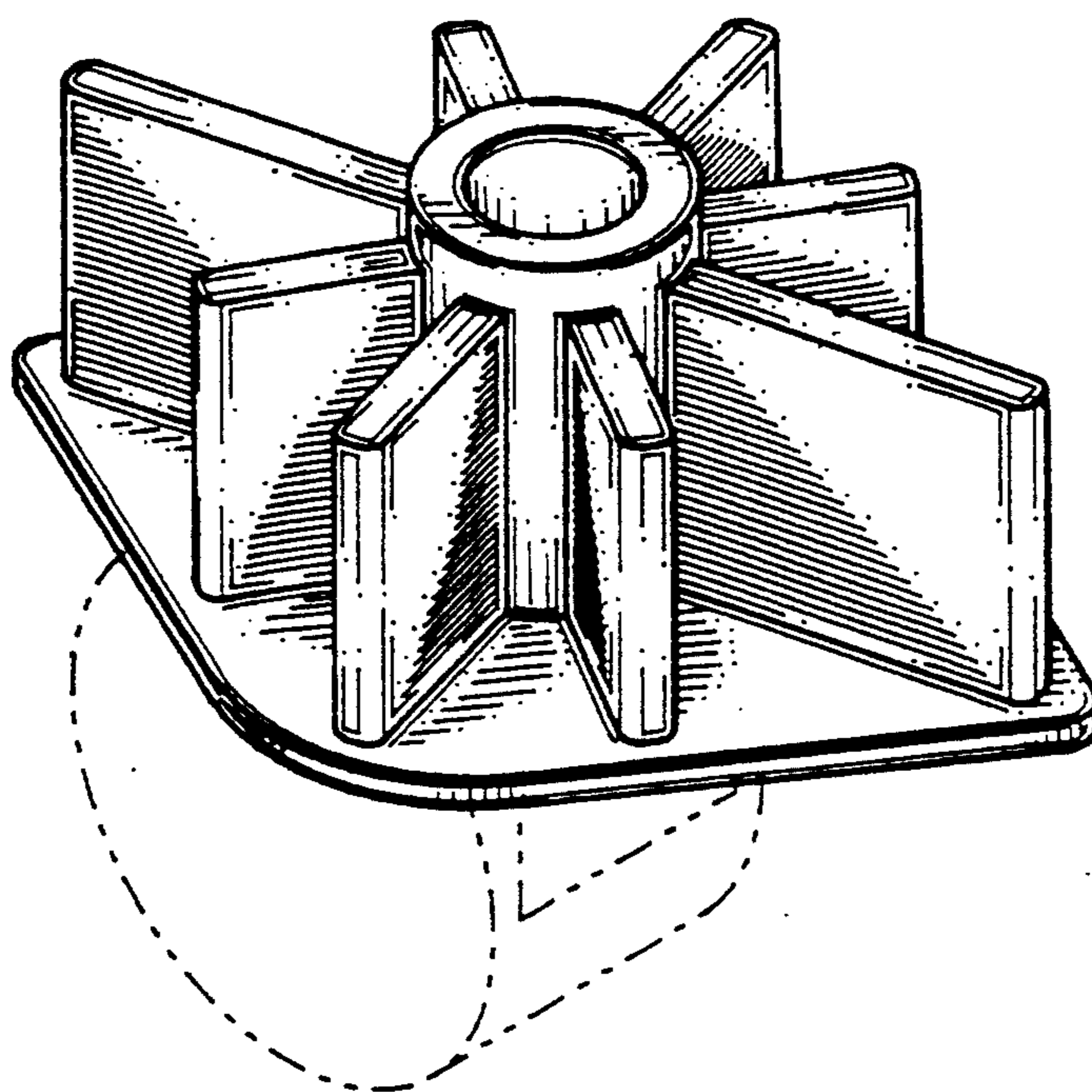


FIG. 2

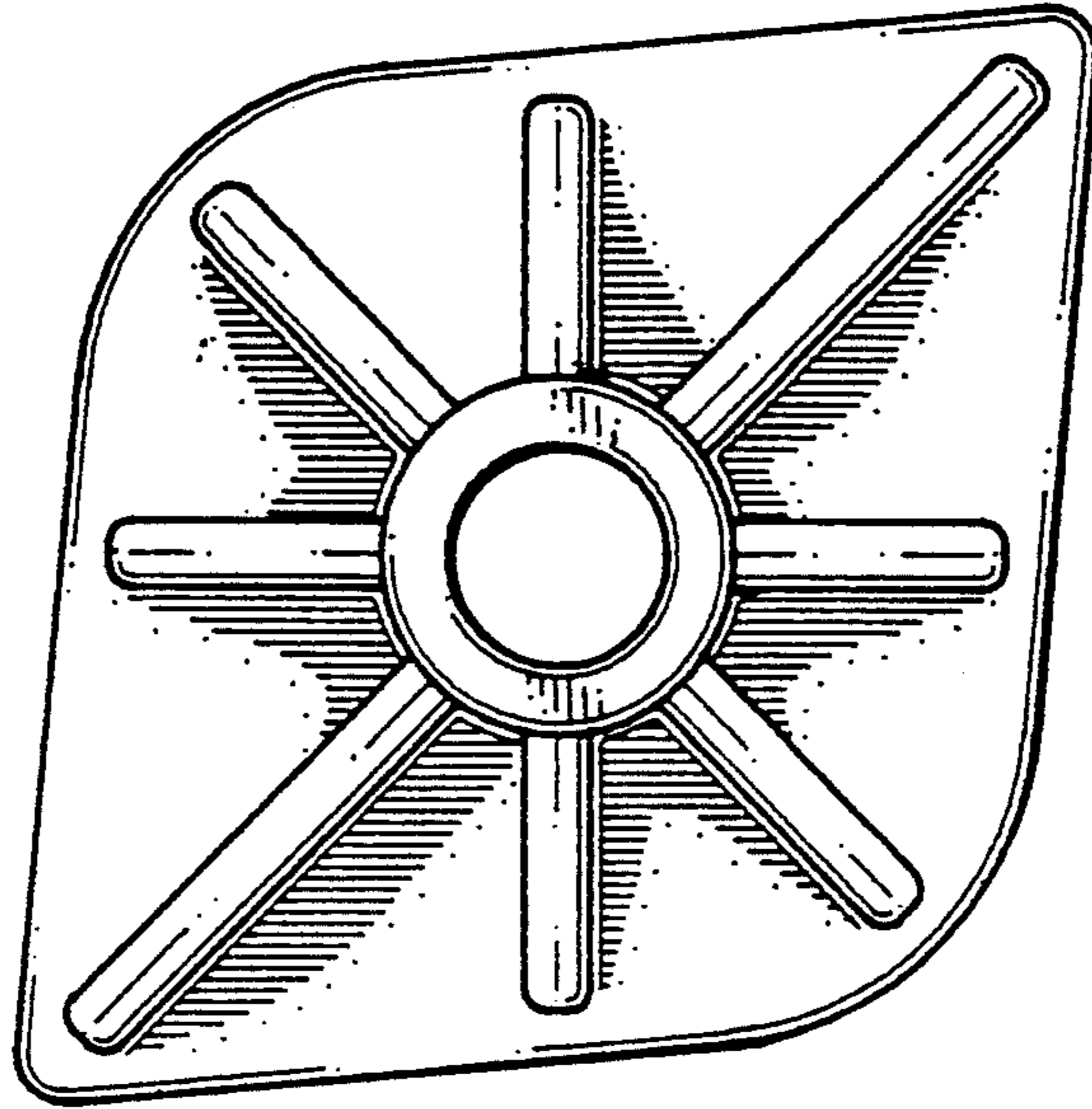


FIG. 3

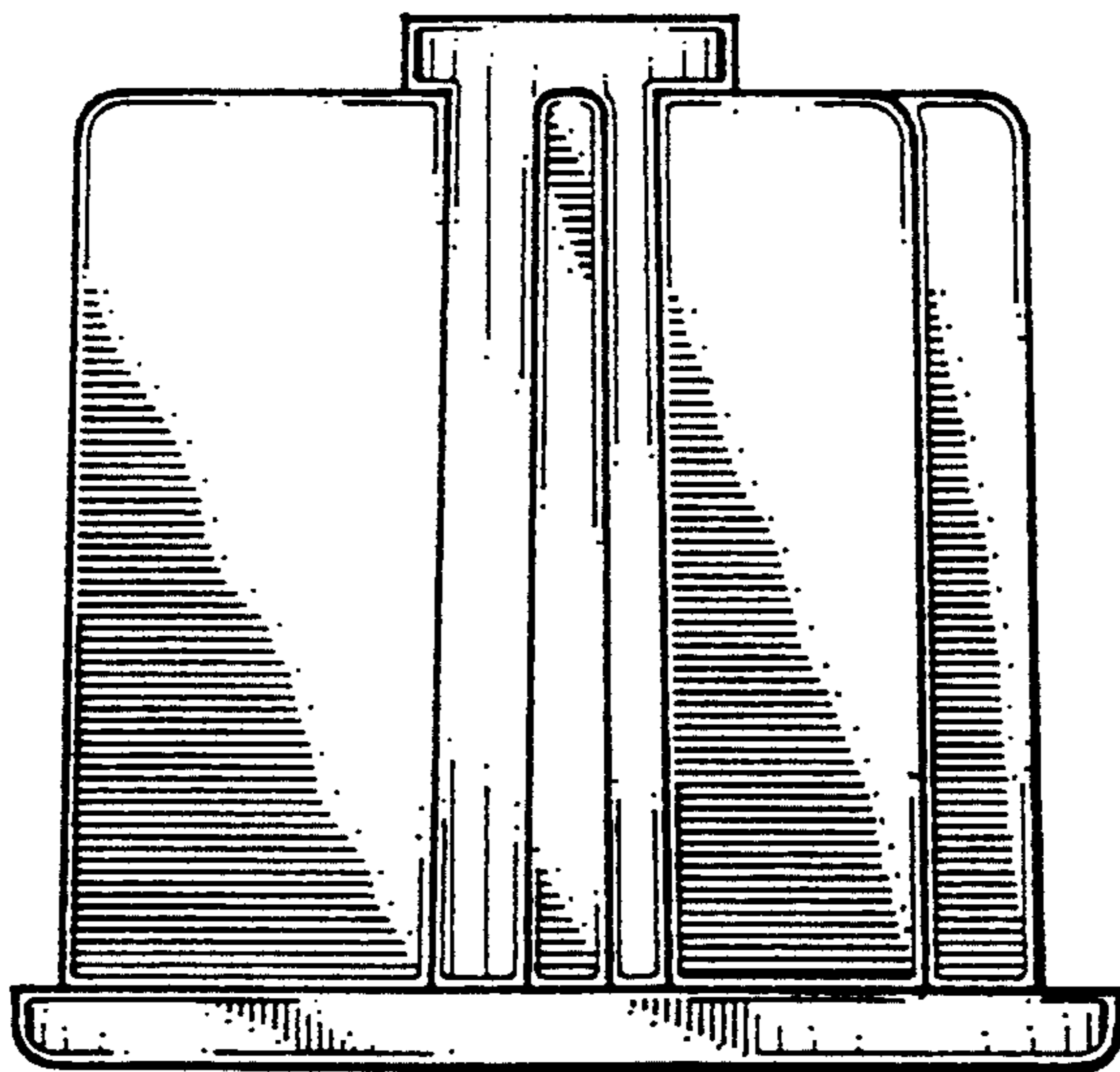


FIG. 4

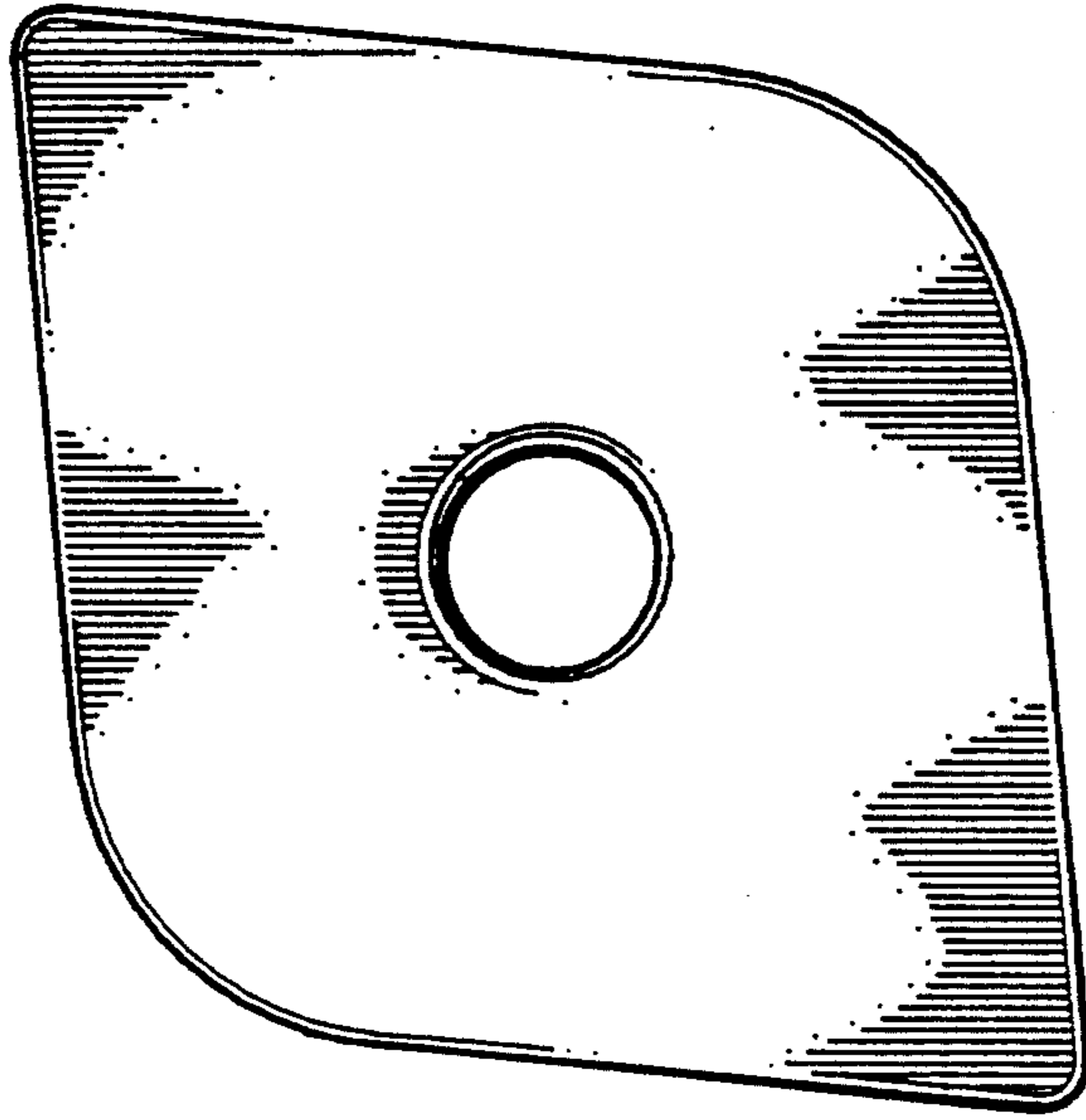


FIG. 5

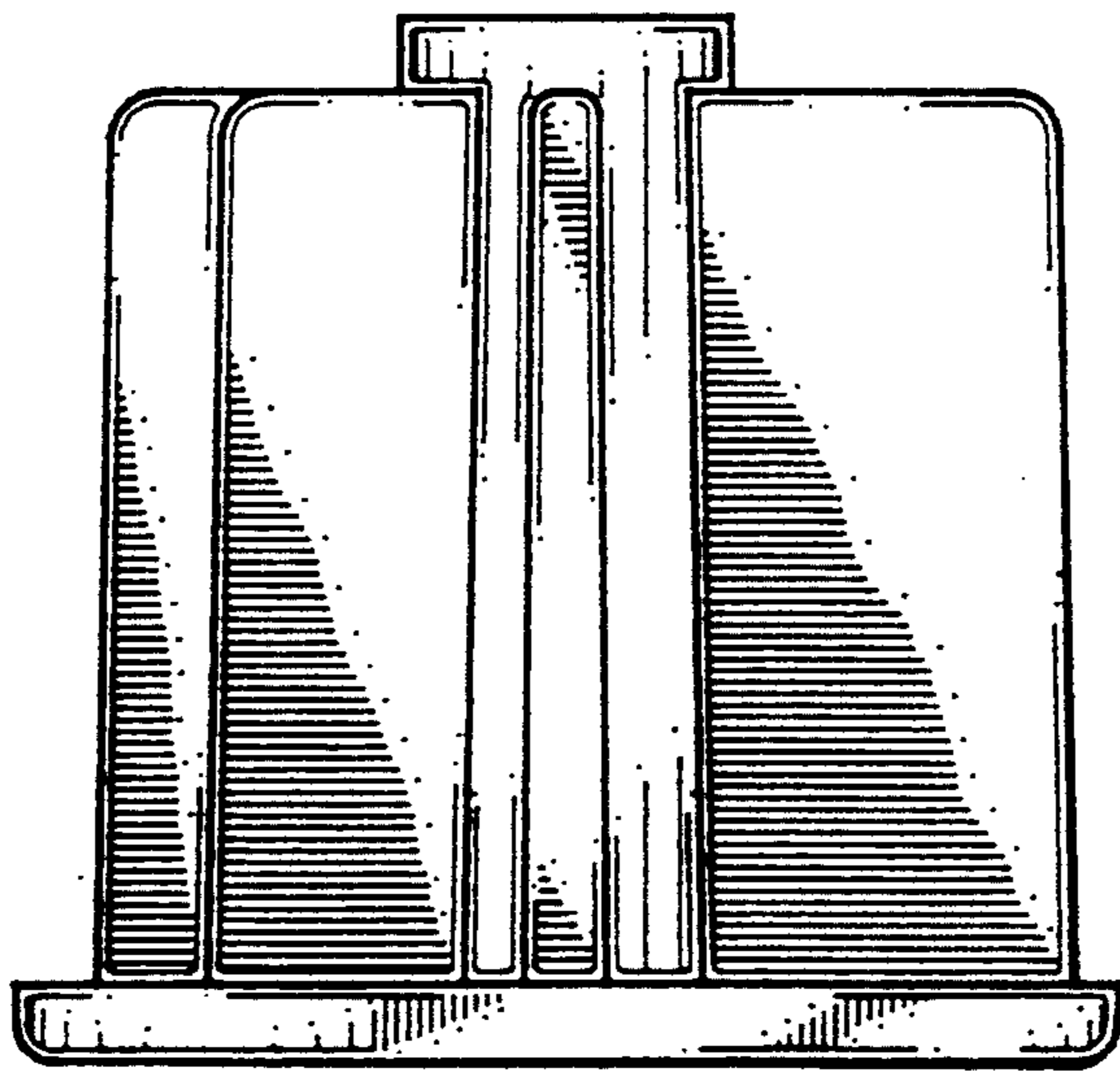


FIG. 6