



US00D347160S

United States Patent [19]

Hallgren

[11] Patent Number: **Des. 347,160**

[45] Date of Patent: **** May 24, 1994**

[54] **ADJUSTABLE MOUNTING SYSTEM FOR HOLDING AN OBJECT IN A DESIRED SPATIAL POSITION**

4,158,428 6/1979 Bates .
4,458,870 7/1984 Duncan et al. .
4,735,388 4/1988 Marks 248/278 X

[75] Inventor: **Leander Hallgren, St. Paul, Minn.**

[73] Assignee: **AbleNet, Inc., Minneapolis, Minn.**

[**] Term: **14 Years**

[21] Appl. No.: **896,925**

[22] Filed: **Jun. 8, 1992**

OTHER PUBLICATIONS

Don Johnston Development Equipment, Inc. Communication & Computer Access Catalog (1992), "Universal Switch Mounting System," p. 16.
ComputAbility Products for the 90's, "Mounting System Kit," p. 3.
Tash Inc. Catalogue (1991-1992), p. 8.
Toys for Special Children, vol. 2, No. 4, p. 19.

Related U.S. Application Data

[63] Continuation-in-part of Ser. No. 817,845, Jan. 8, 1992.

[52] U.S. Cl. **D8/355**

[58] Field of Search **D8/373, 355; D6/429; 248/271, 278-279**

Primary Examiner—Wallace R. Burke
Assistant Examiner—H. Baynham
Attorney, Agent, or Firm—Merchant, Gould, Smith, Edell, Welter & Schmidt

[57] CLAIM

The ornamental design for an adjustable mounting system for holding an object in a desired spatial position, as shown.

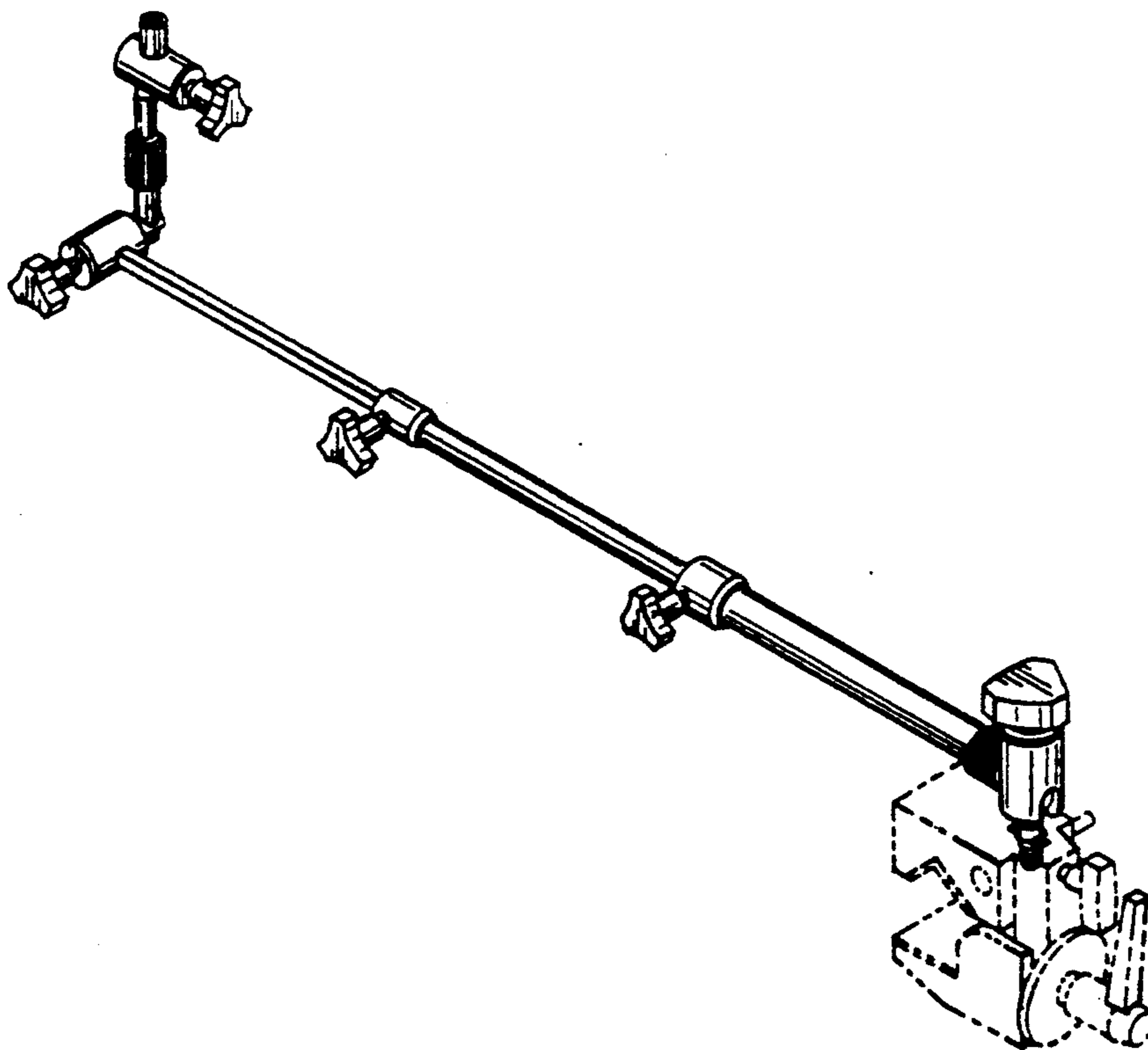
[56] References Cited

U.S. PATENT DOCUMENTS

- 1,059,856 4/1913 Fox .
- 1,275,311 8/1918 Schumacher et al. .
- 1,714,003 5/1929 Deach .
- 2,019,789 11/1935 Manannah .
- 2,524,138 5/1946 Raley .
- 3,170,665 2/1965 Ryan .
- 3,215,467 11/1965 McFarland et al. .
- 3,480,304 11/1969 Mehr .
- 3,522,887 8/1970 Petersen .
- 3,730,589 5/1983 Lane .
- 3,759,569 9/1973 Bennet .
- 3,870,362 3/1975 Large .

DESCRIPTION

FIG. 1 is a top, front, and left side perspective view of an adjustable mounting system for holding an object in a desired spatial position showing my new design; FIG. 2 is a front elevational view thereof; FIG. 3 is a rear elevational view thereof; FIG. 4 is a right side elevational view thereof; FIG. 5 is a left side elevational view thereof; FIG. 6 is a top plan view thereof; and, FIG. 7 is a bottom plan view thereof.



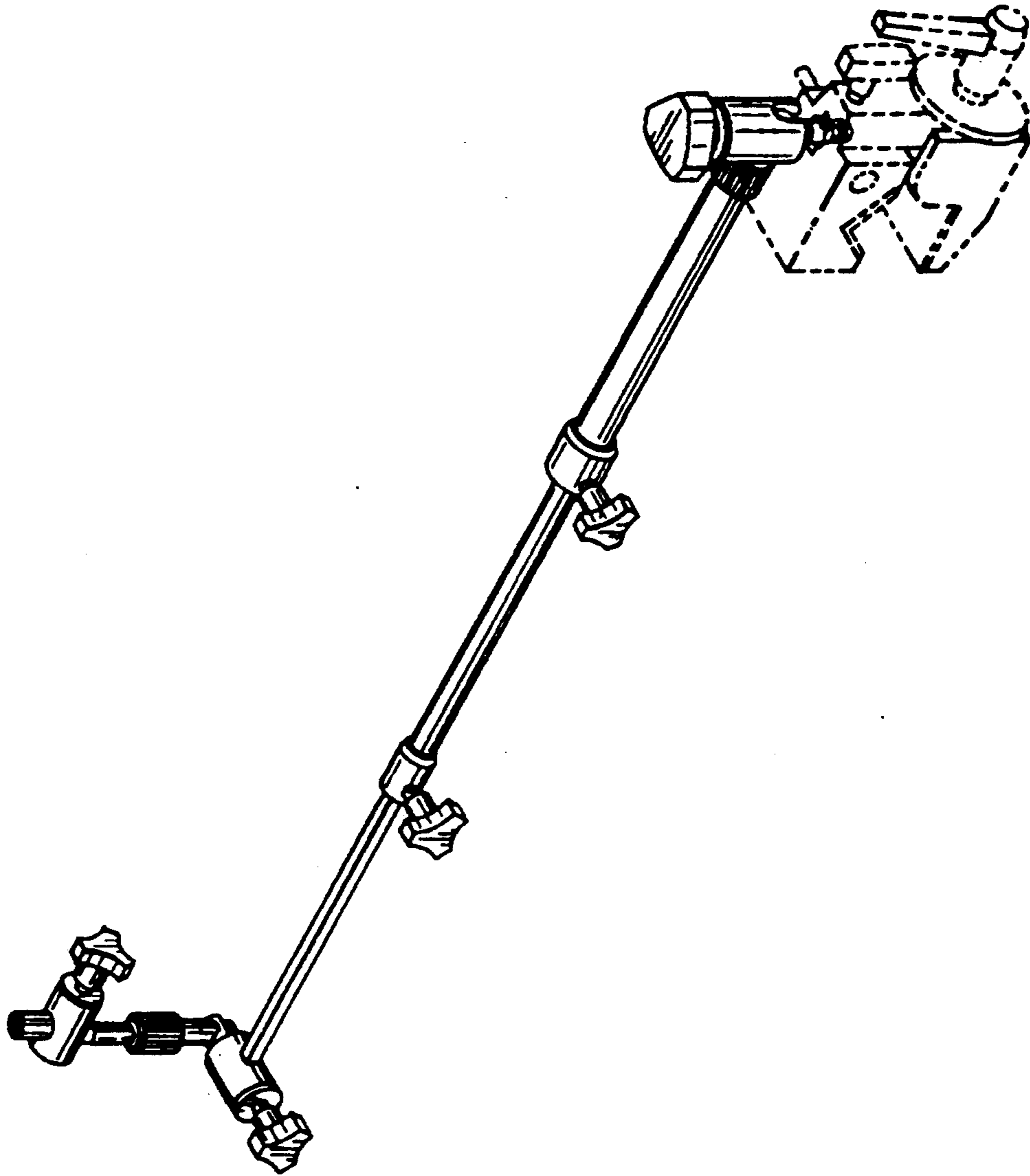


FIG. 1

FIG. 3

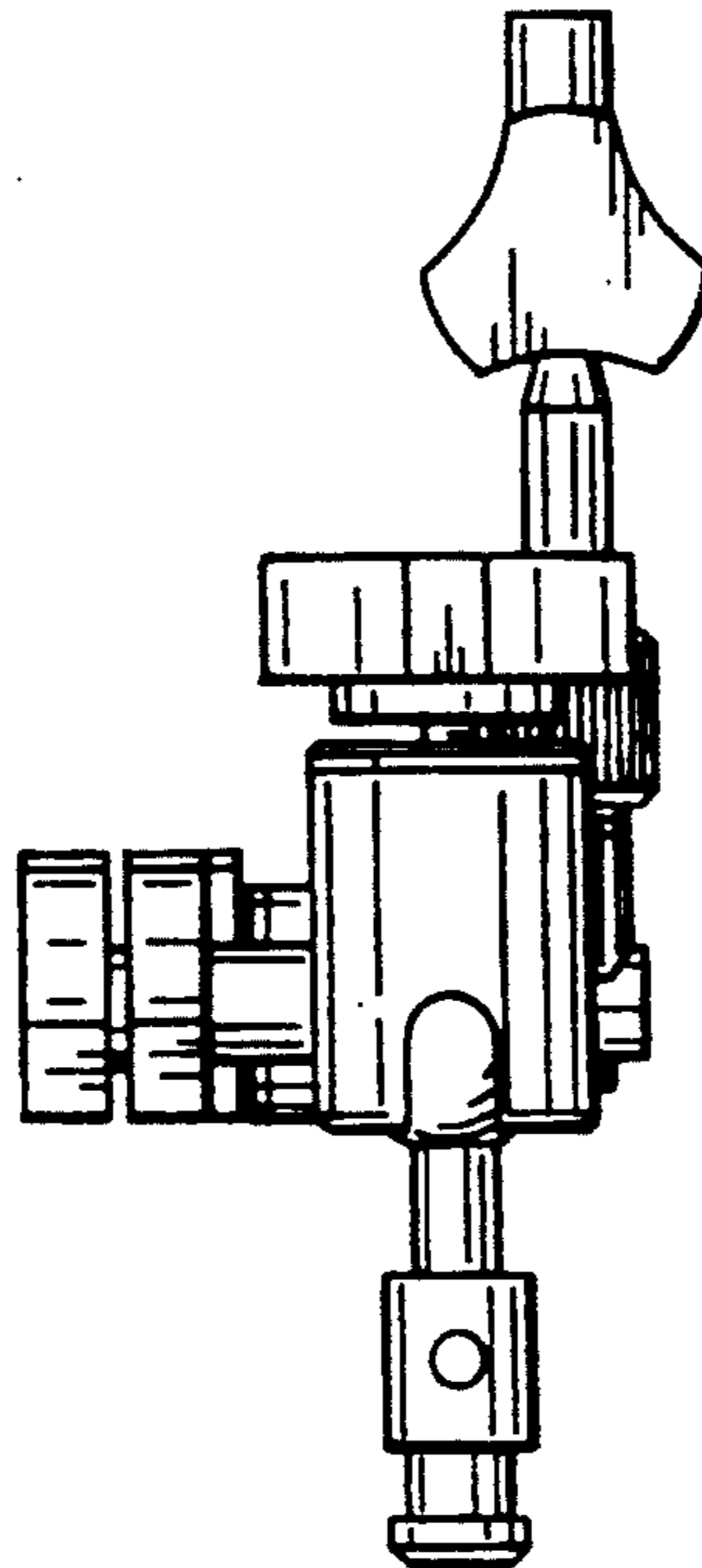
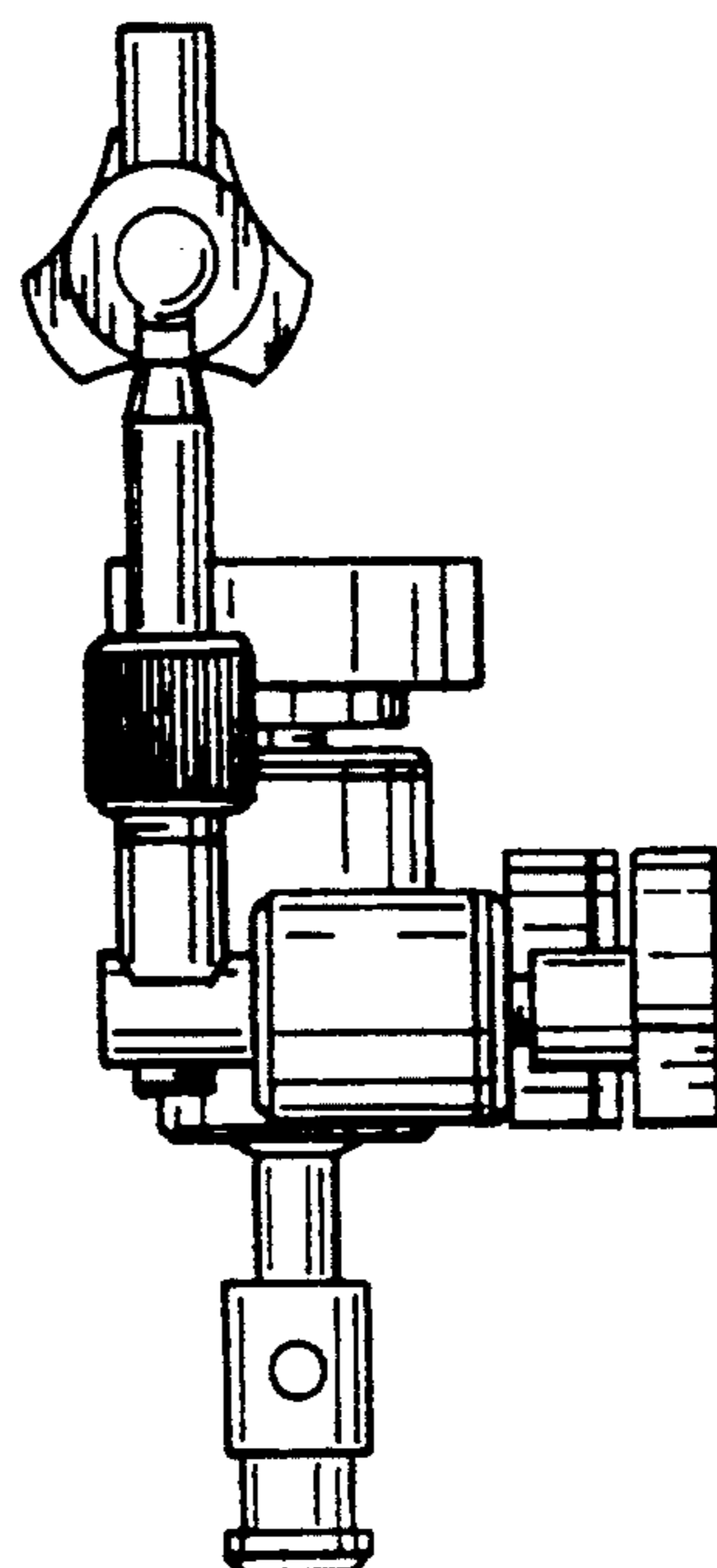


FIG. 2



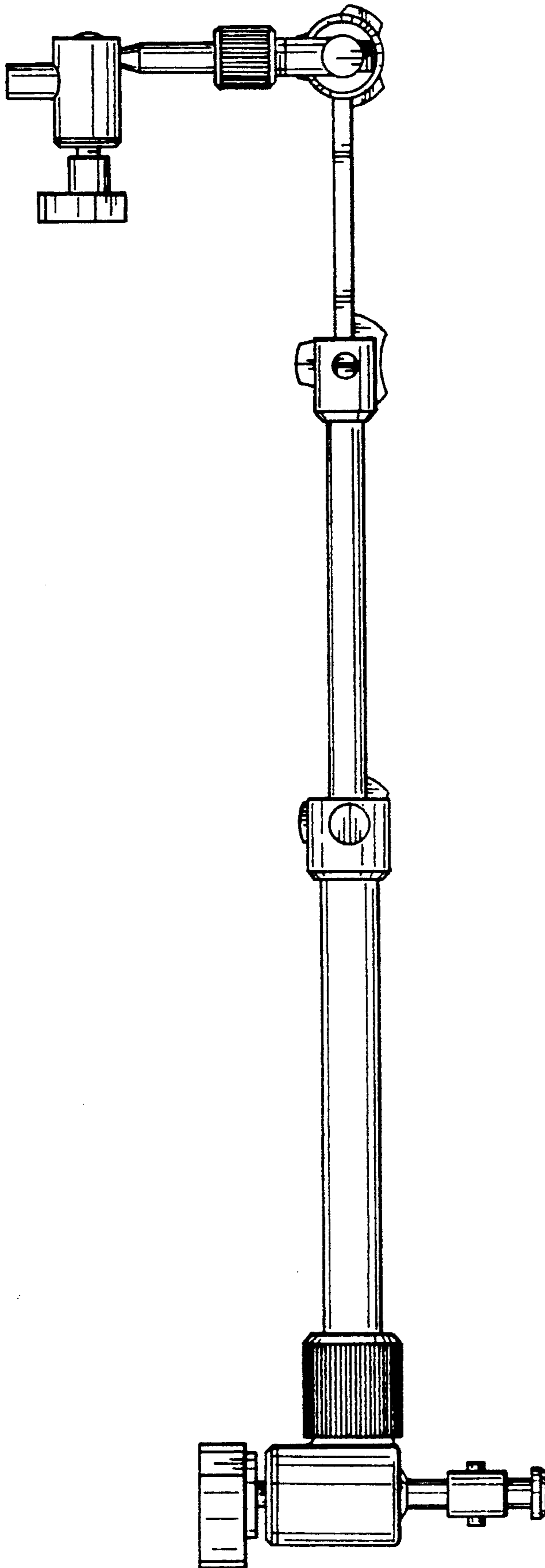


FIG.4

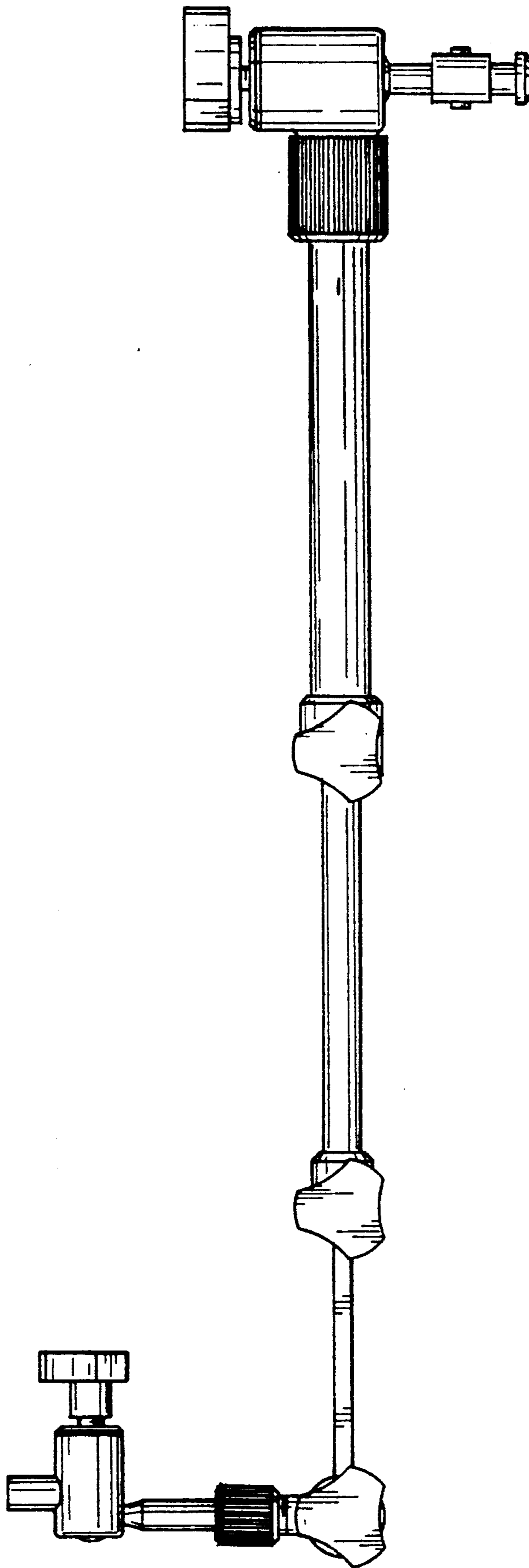


FIG. 5

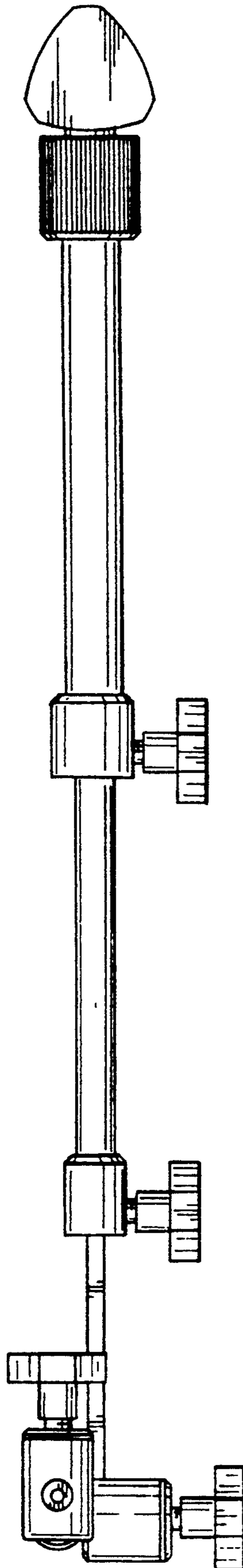


FIG. 6

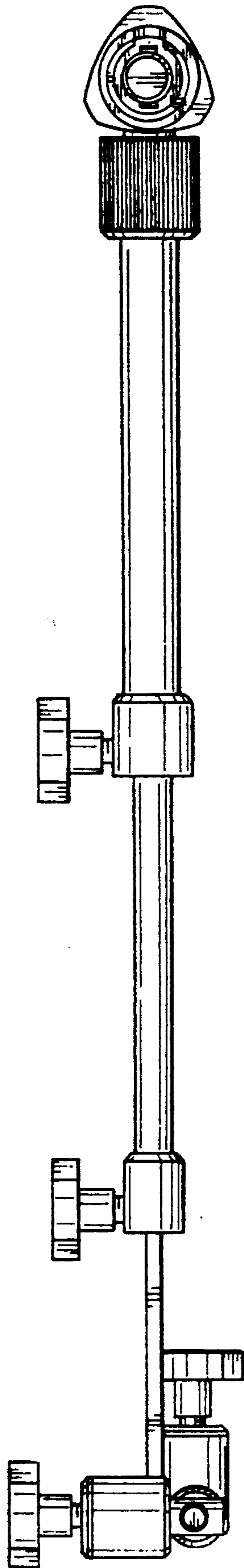


FIG. 7