



US00D347153S

# United States Patent [19]

[11] Patent Number: **Des. 347,153**

**Uneyama**

[45] Date of Patent: **\*\* May 24, 1994**

[54] **PORTABLE ELECTRIC GRINDER**

D. 337,499 7/1993 Matsunaga et al. .... D8/62

[75] Inventor: **Tsunehito Uneyama, Anjo, Japan**

**OTHER PUBLICATIONS**

[73] Assignee: **Makita Corporation, Anjo, Japan**

Makita Corporation product catalog, p. 69, '92-1.

[\*\*] Term: **14 Years**

*Primary Examiner*—Alan P. Douglas

[21] Appl. No.: **8,360**

*Assistant Examiner*—J. H. Musgrove

[22] Filed: **May 14, 1993**

*Attorney, Agent, or Firm*—Dennison, Meserole, Pollack & Scheiner

[30] **Foreign Application Priority Data**

[57] **CLAIM**

Nov. 17, 1992 [JP] Japan ..... 4-33947

The ornamental design for a portable electric grinder, as shown and described.

[52] U.S. Cl. .... **D8/62**

**DESCRIPTION**

[58] Field of Search ..... D8/61, 62, 69, 67;  
51/170, 170 T, 170 TL, 170 EB, 170 MT

FIG. 1 is a perspective view of a portable electric grinder showing my new design;

FIG. 2 is a front elevational view thereof;

FIG. 3 is a rear elevational view thereof;

FIG. 4 is a left side elevational view thereof;

FIG. 5 is a right side elevational view thereof;

FIG. 6 is a top plan view thereof; and,

FIG. 7 is a bottom plan view thereof.

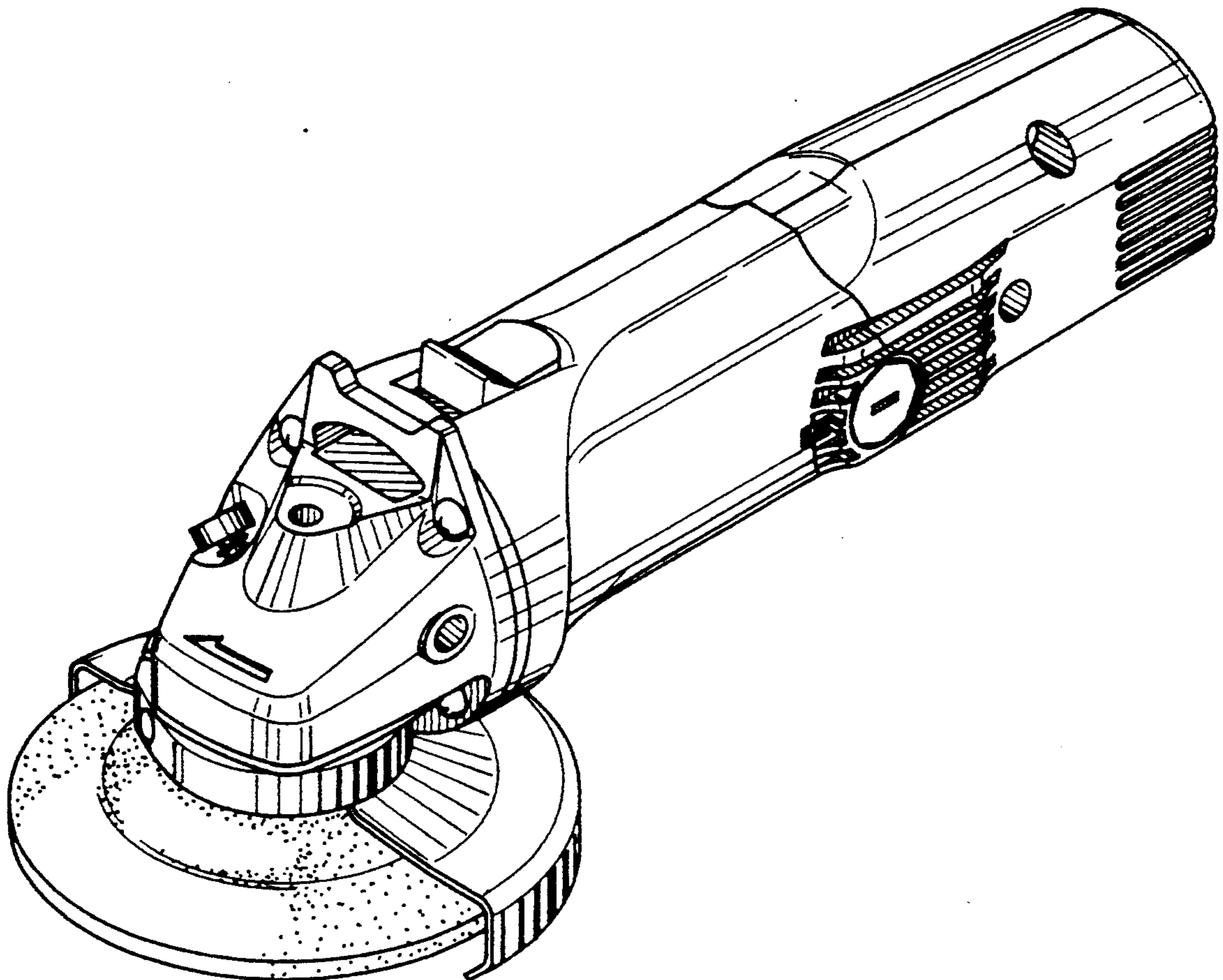
[56] **References Cited**

**U.S. PATENT DOCUMENTS**

D. 295,824 5/1988 Hoshino et al. .... D8/62

D. 301,830 6/1989 Ogawa et al. .... D8/62

D. 328,841 8/1992 Fushiya et al. .... D8/62



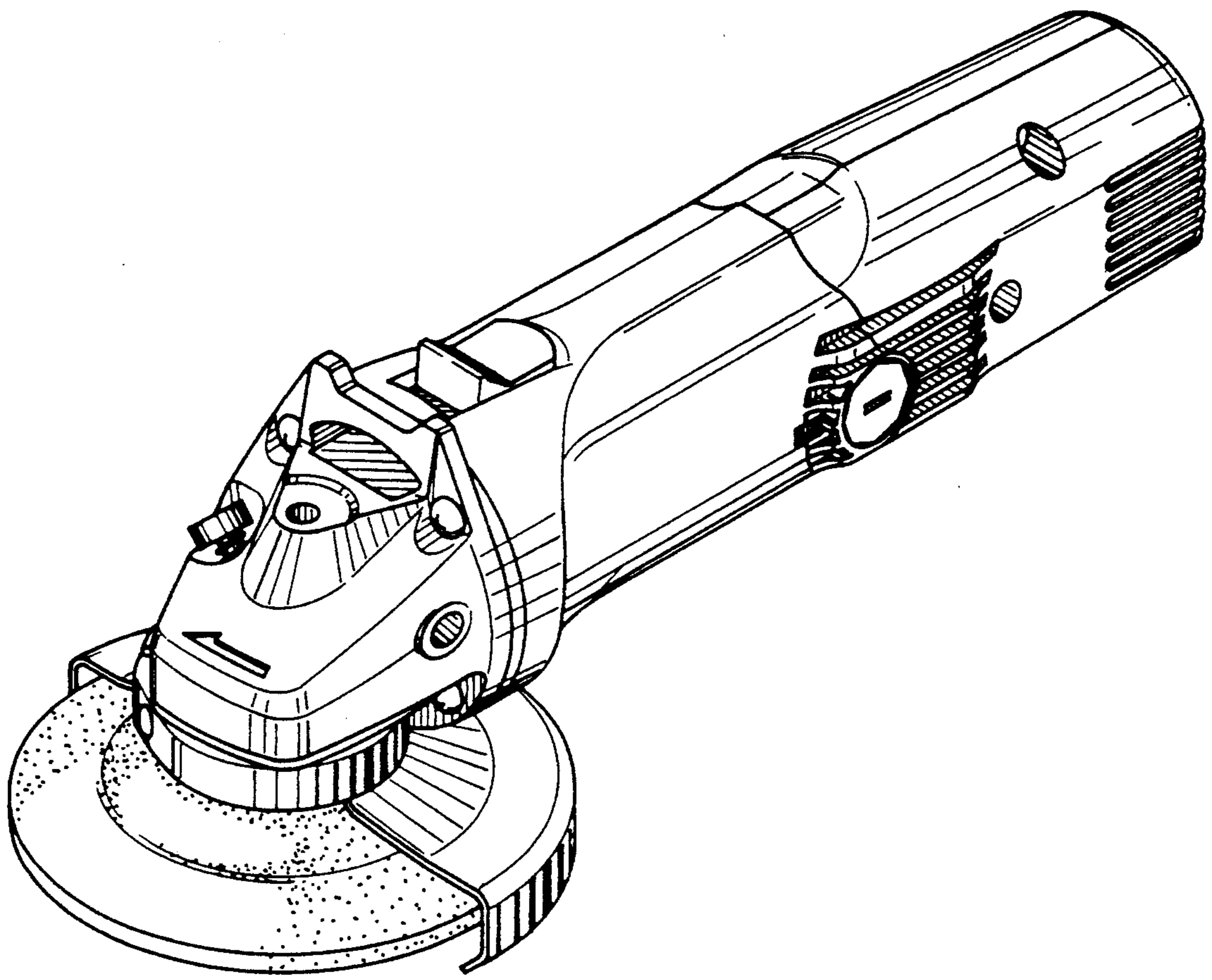


FIG. 1

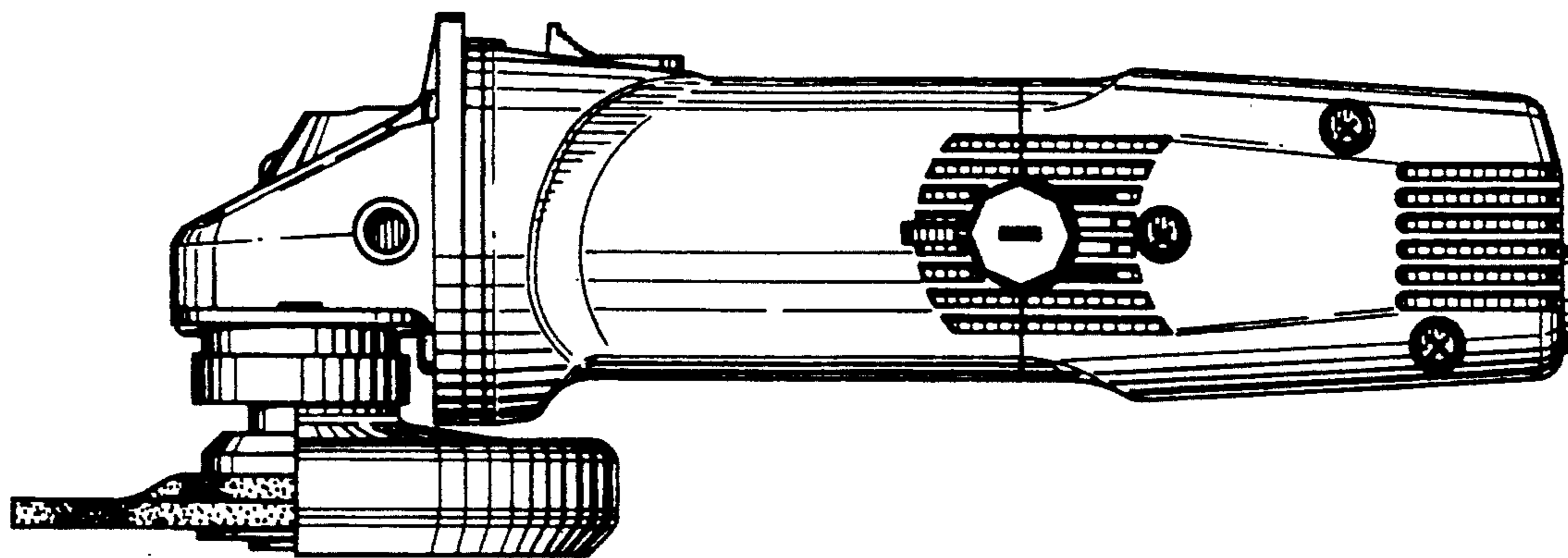


FIG. 2

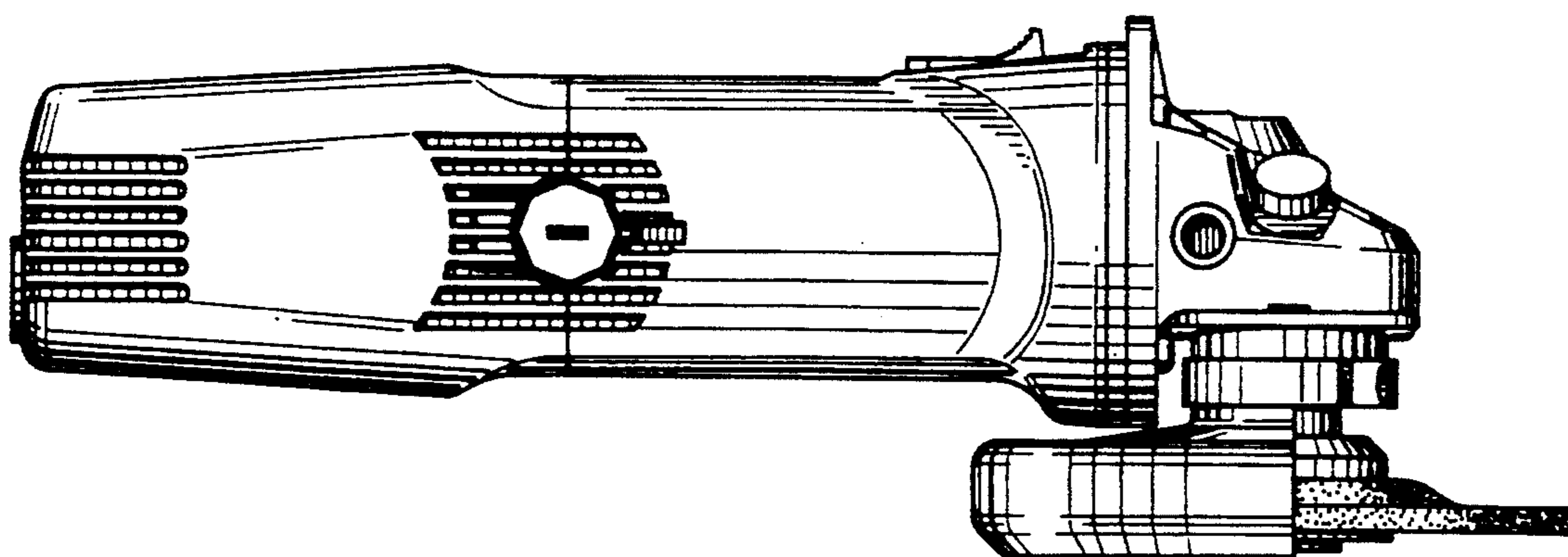


FIG. 3

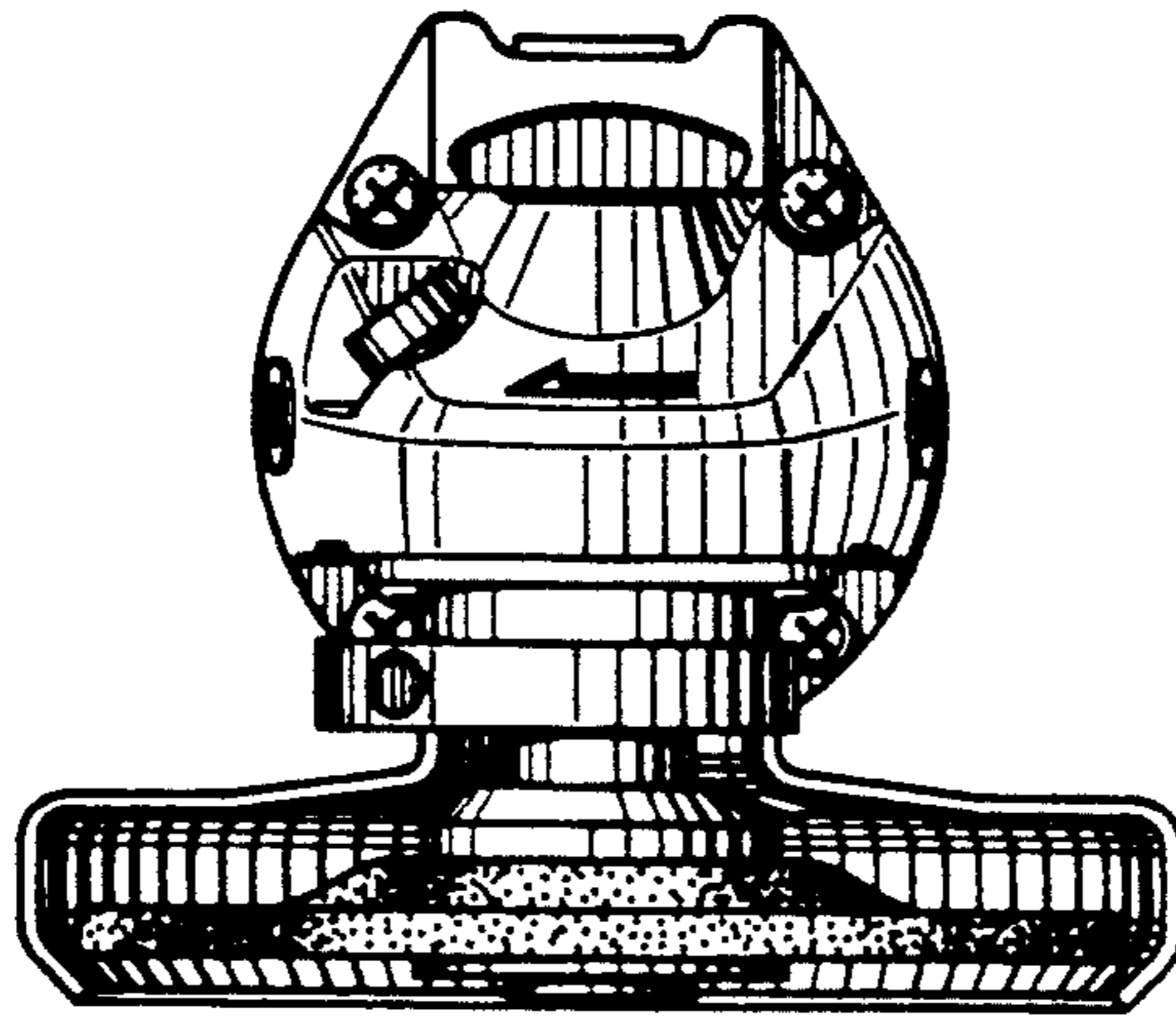


FIG. 4

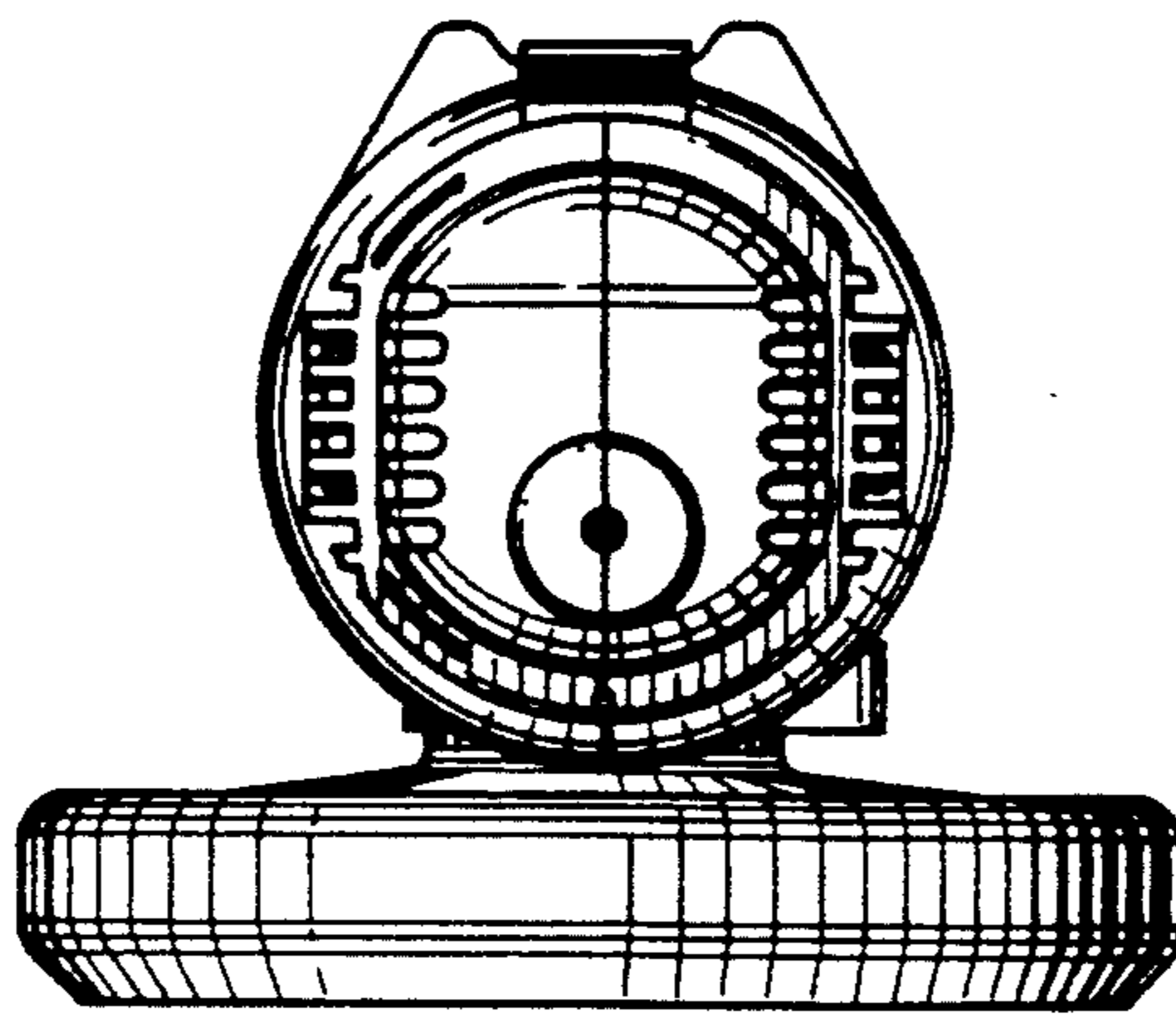


FIG. 5

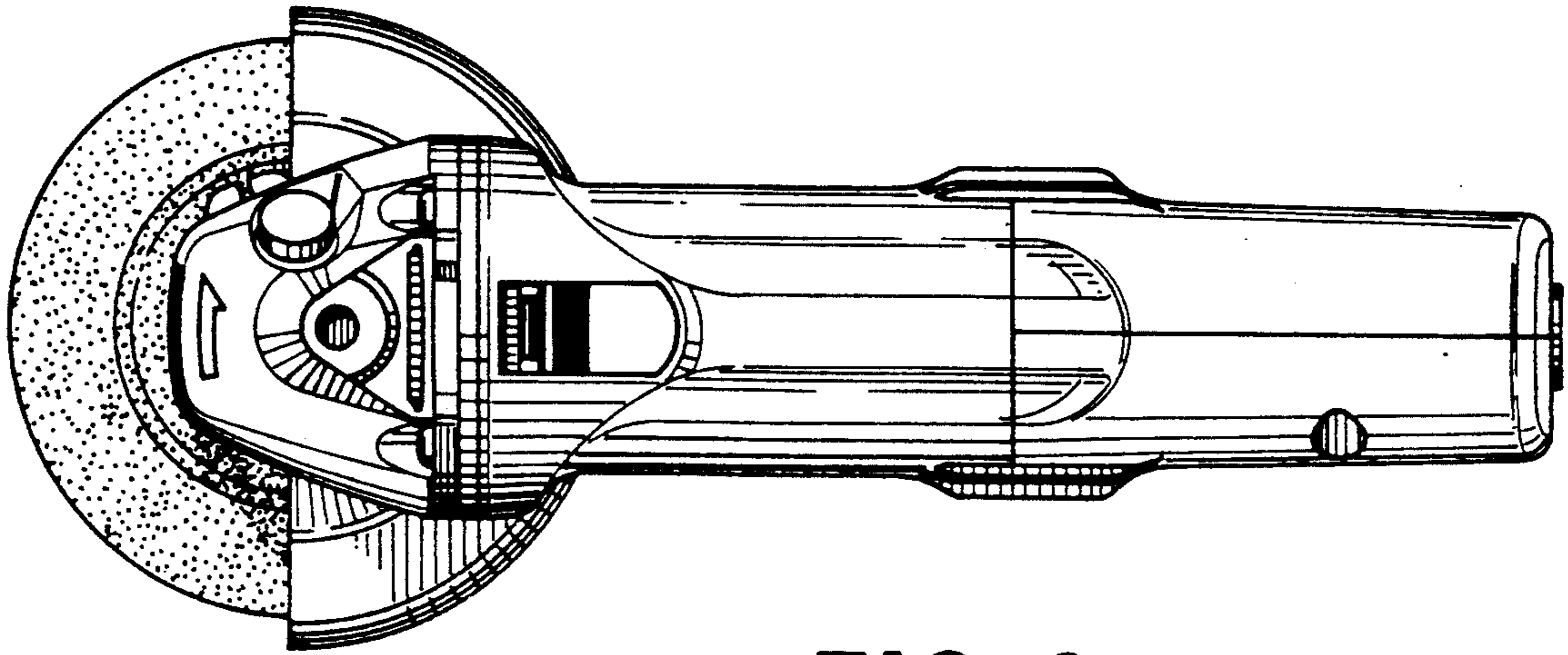


FIG. 6

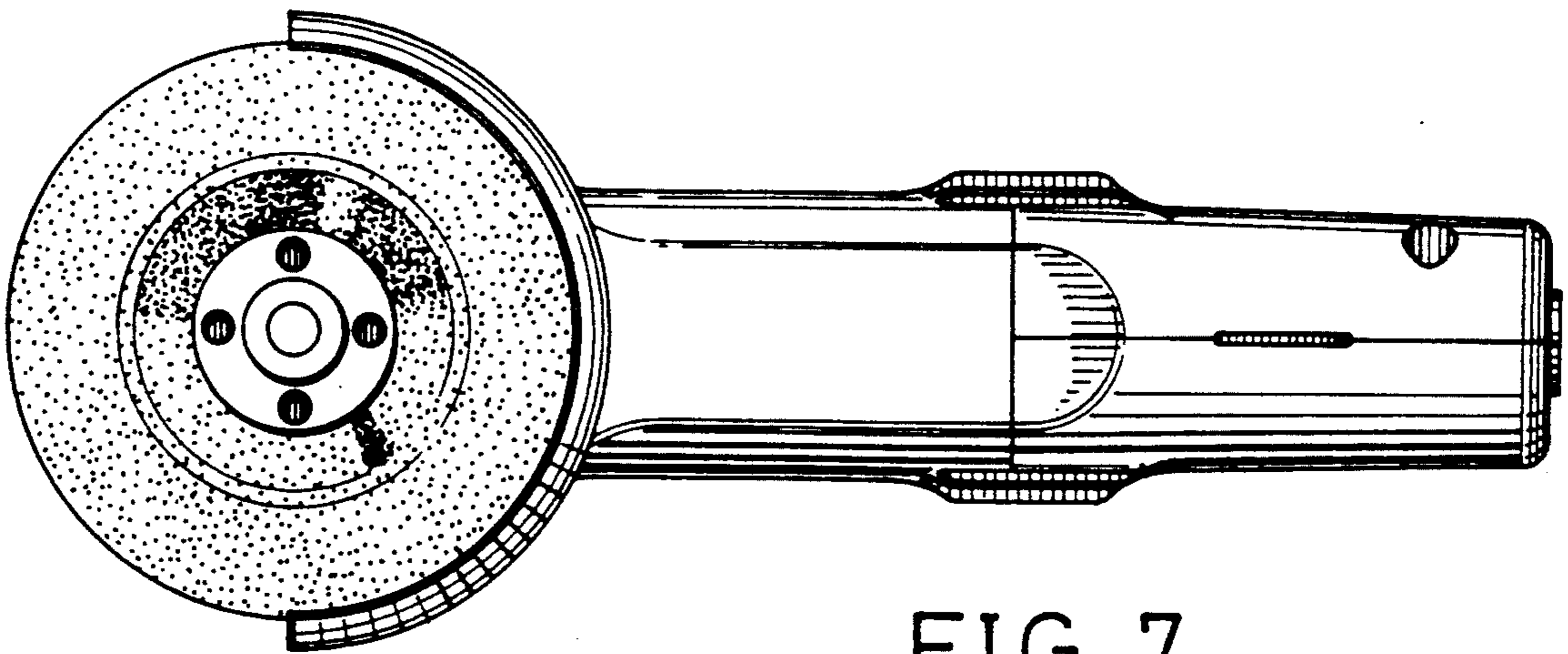


FIG. 7