



US00D347148S

United States Patent [19] Harrison

[11] Patent Number: **Des. 347,148**
[45] Date of Patent: **** May 24, 1994**

[54] **HANDLE FOR FLATWARE AND TOOTHBRUSHES**
[75] Inventor: **Susan Harrison, Wichita Falls, Tex.**
[73] Assignee: **Zooth, Inc., Wichita Falls, Tex.**
[**] Term: **14 Years**
[21] Appl. No.: **5,774**
[22] Filed: **Mar. 11, 1993**
[52] U.S. Cl. **D7/656; D4/107**
[58] Field of Search **D7/642, 649, 651, 654, D7/656, 401.2; D4/104, 107, 124-126; 15/167.1**

D. 324,775 3/1992 Kreisher et al. D4/104
D. 329,948 10/1992 Hanner D4/107 X
D. 337,890 8/1993 Haddad D4/125 X
691,266 1/1902 Hill 446/180
2,705,090 3/1955 Odermatt-Wehrli 222/78
2,739,420 3/1956 Dugdale 446/132
2,771,219 11/1956 Dewey 222/93
3,105,612 10/1963 Krasnoff et al. 222/78
3,178,060 4/1965 Bossack 222/78
3,299,891 1/1967 Smeton 222/78 X
3,968,591 7/1976 Pearson, Jr. D7/655 X
4,592,109 6/1986 Borea et al. D4/104 X
4,779,344 10/1988 Panisch 30/326
4,780,924 11/1988 Hansen et al. D4/104 X
4,961,717 10/1990 Hickey 446/76
4,976,646 12/1990 Hull 222/78 X
4,979,258 12/1990 Buj 15/167.1
5,187,829 2/1993 Atkins D4/107 X

[56] **References Cited**
U.S. PATENT DOCUMENTS

D. 21,560 5/1882 Crowell, Jr. D7/656
D. 40,122 7/1909 Rogers D7/656
D. 45,367 3/1914 Bentz D7/655
D. 88,420 11/1932 Kern D7/656
D. 88,553 12/1932 Hunt D7/656
D. 127,720 6/1941 Foster D7/656
D. 128,681 8/1941 Reinold D4/107
D. 155,668 10/1949 Zandberg et al. D4/107
D. 155,669 10/1949 Zandberg et al. D4/107
D. 167,300 7/1952 Brooks D7/656
D. 191,096 8/1961 Gordon D4/107
D. 209,574 12/1967 Zandberg et al. D4/107
D. 229,883 1/1974 Pugh D7/651
D. 229,904 1/1974 Cosby D4/125
D. 237,659 11/1975 Meyer et al. D4/107
D. 242,507 11/1976 Cohen et al. D4/125
D. 252,010 6/1979 Manderfield D7/656
D. 274,971 8/1984 Kelley et al. D7/656
D. 278,661 5/1985 Gelsen D4/104
D. 294,200 2/1988 Zucker D4/107
D. 294,390 2/1988 Woo D7/657 X
D. 294,391 2/1988 Woo D7/656 X
D. 296,617 7/1988 Zucker D4/107

FOREIGN PATENT DOCUMENTS

3236618 4/1984 Fed. Rep. of Germany .
8912819 2/1990 Fed. Rep. of Germany .
85/03629 8/1985 PCT Int'l Appl. .
2207038 1/1989 United Kingdom .

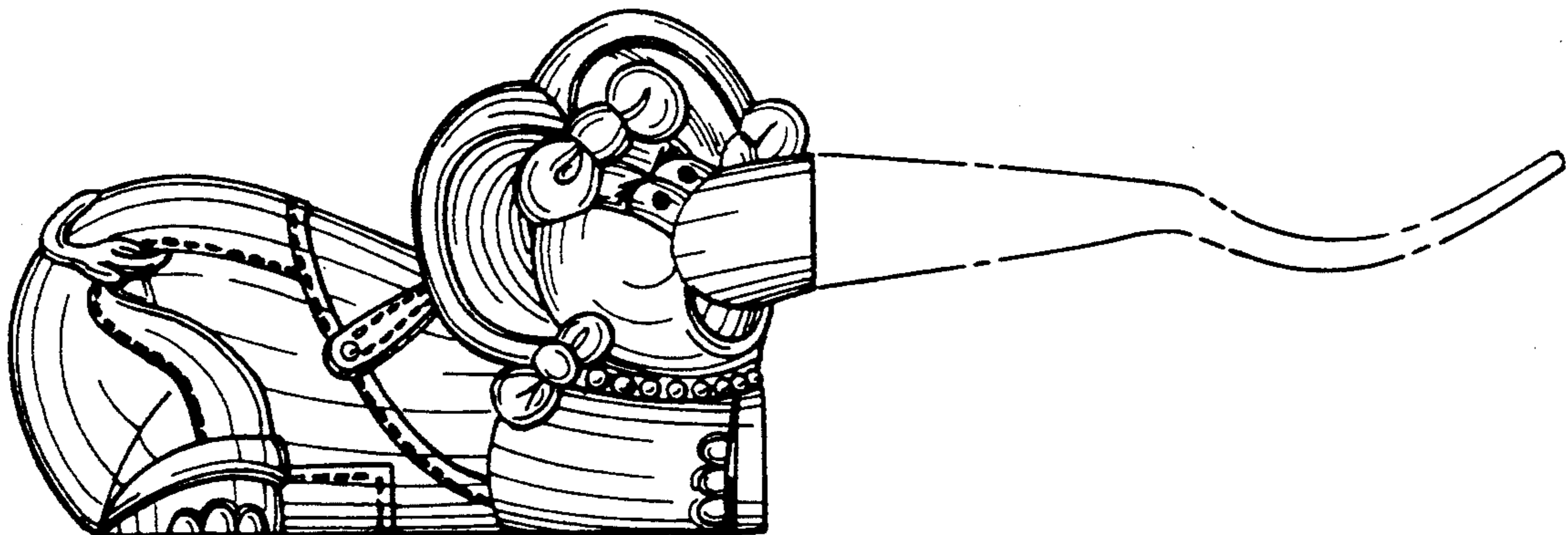
Primary Examiner—Alan P. Douglas
Assistant Examiner—Caron D. Veynar
Attorney, Agent, or Firm—Wolf, Greenfield & Sacks

[57] **CLAIM**

The ornamental design for a handle for flatware and toothbrushes, as shown and described.

DESCRIPTION

FIG. 1 is a left hand side elevational view of a handle for flatware and toothbrushes showing my new design; FIG. 2 is a front elevational view thereof; FIG. 3 is a rear elevational view thereof; FIG. 4 is a right hand side elevational view thereof; FIG. 5 is a top plan view thereof; and, FIG. 6 is a bottom plan view thereof.



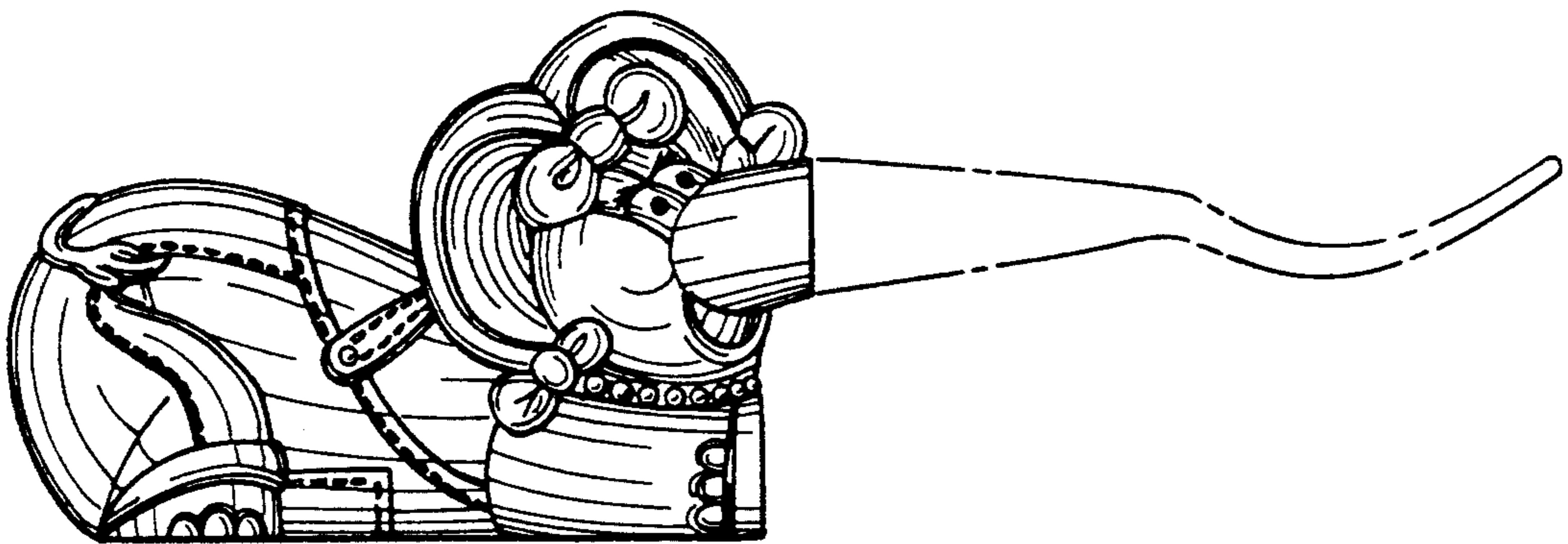


Fig. 1

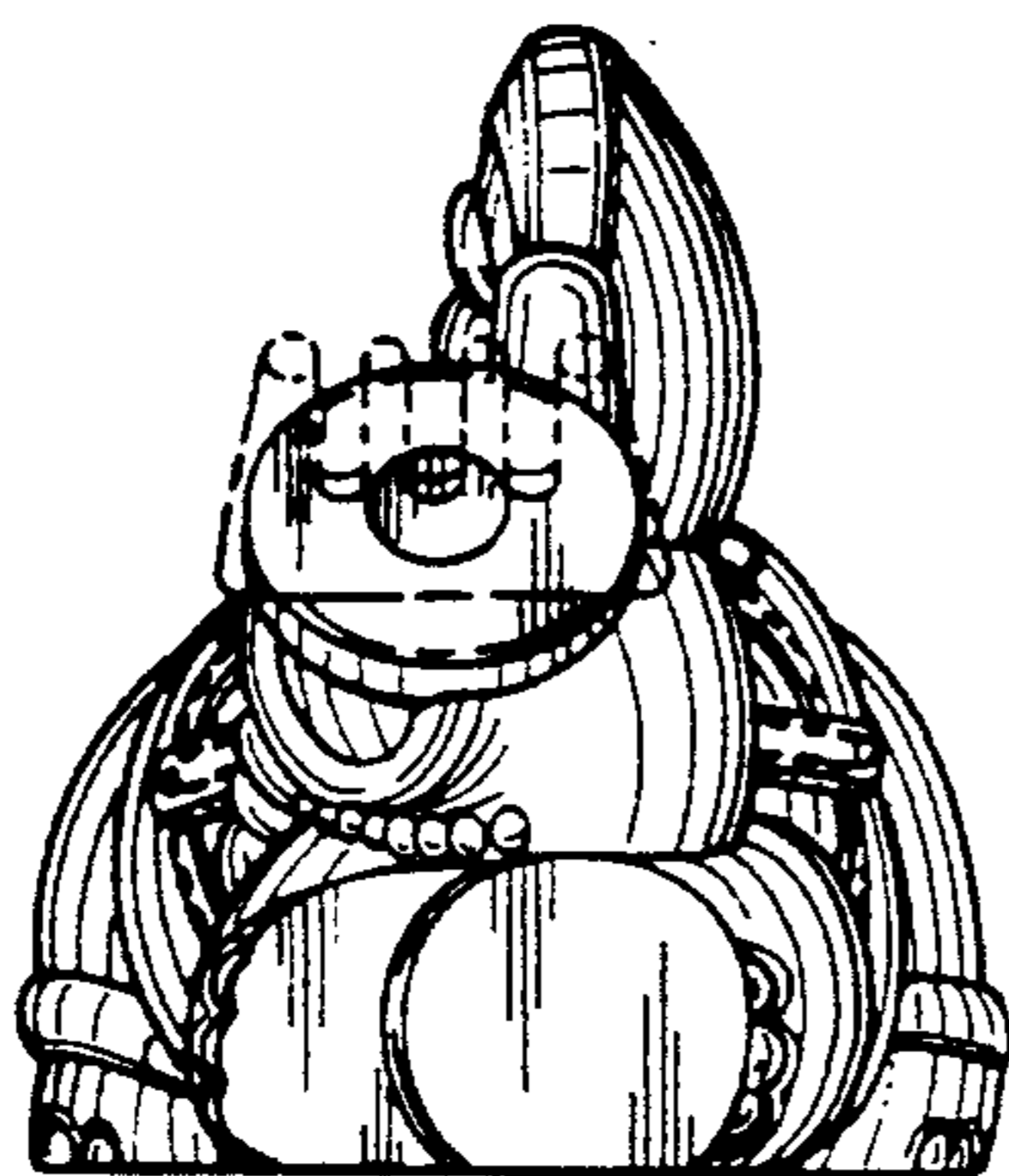


Fig. 2

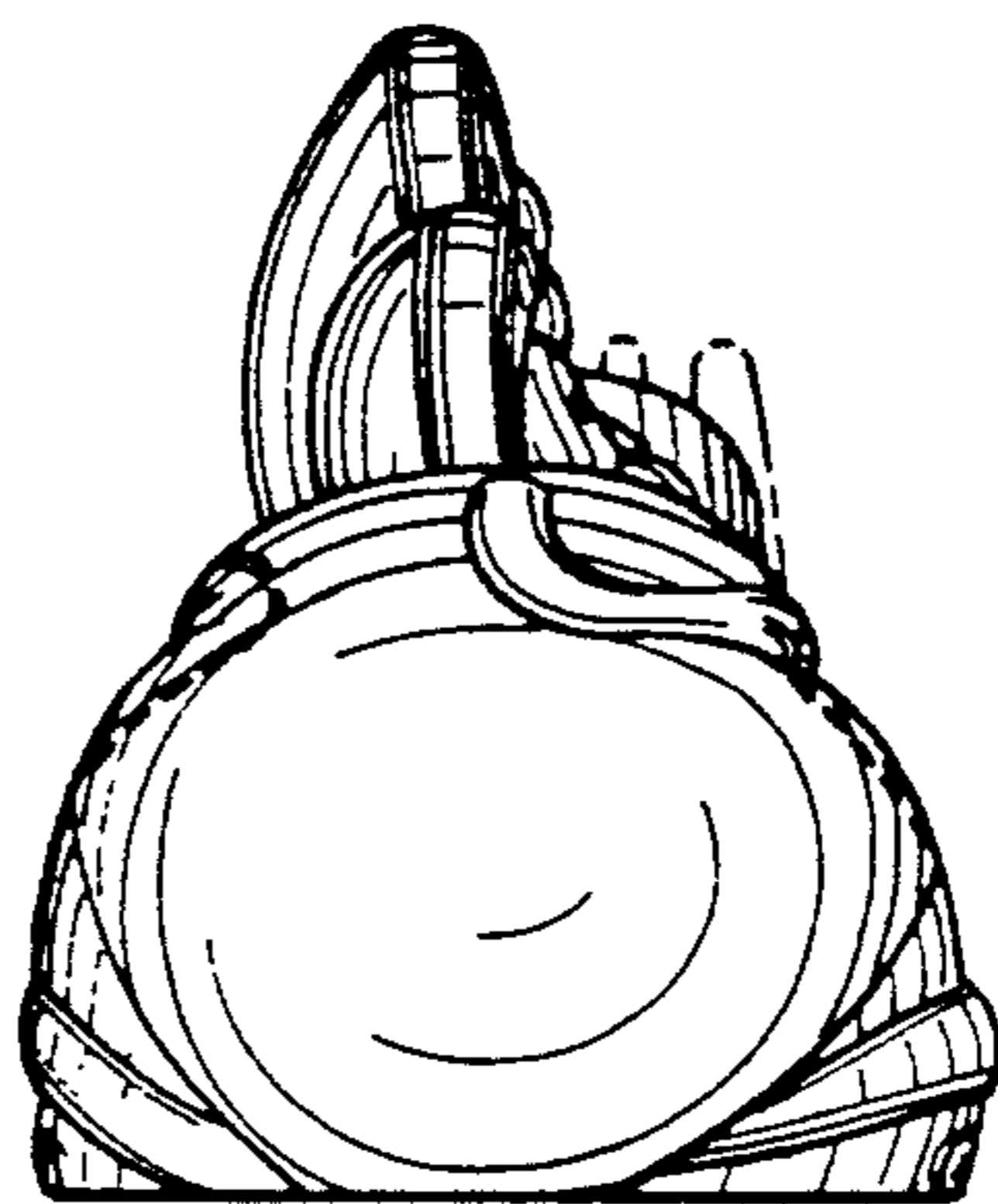


Fig. 3

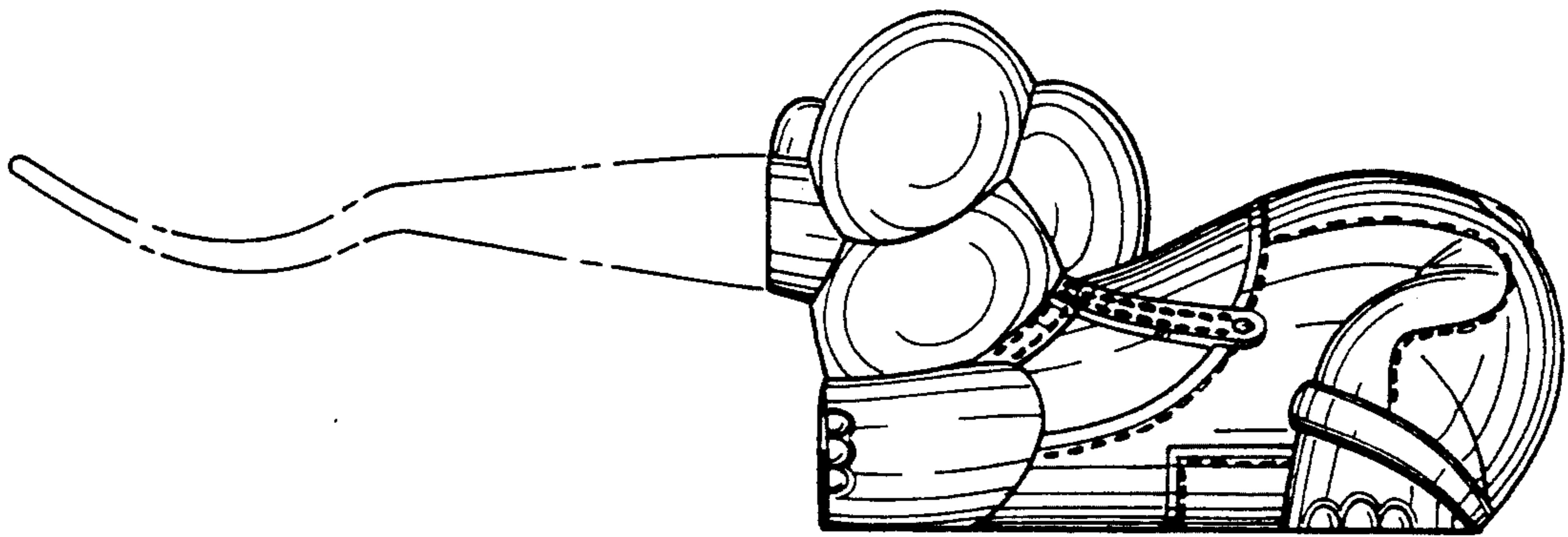


Fig. 4

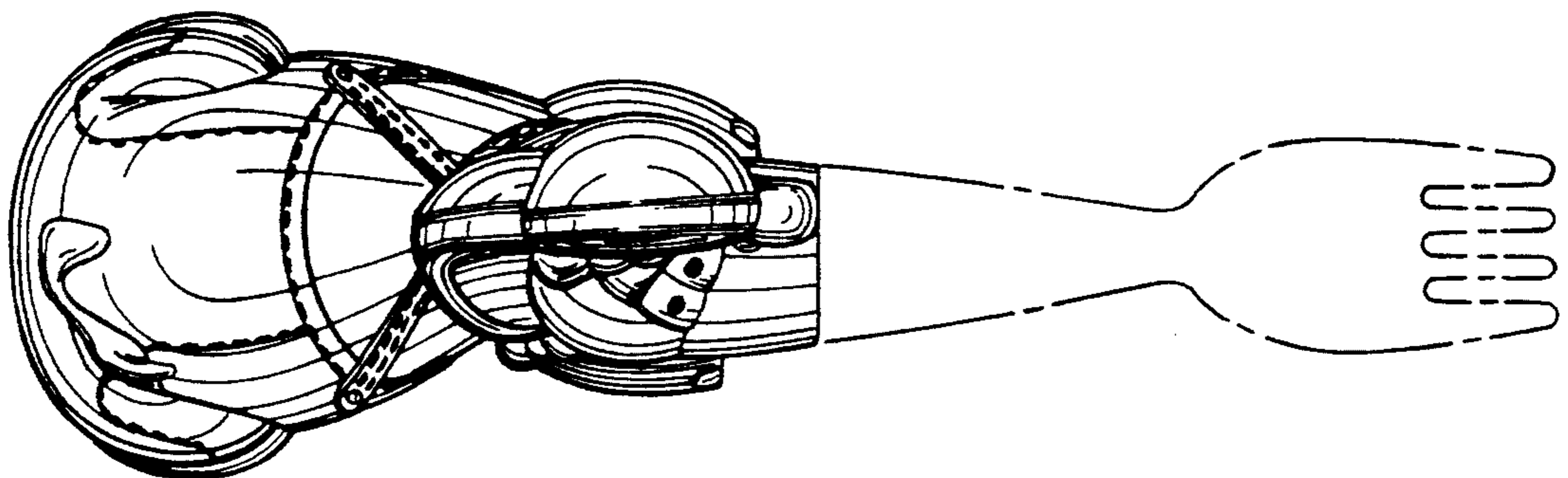


Fig. 5

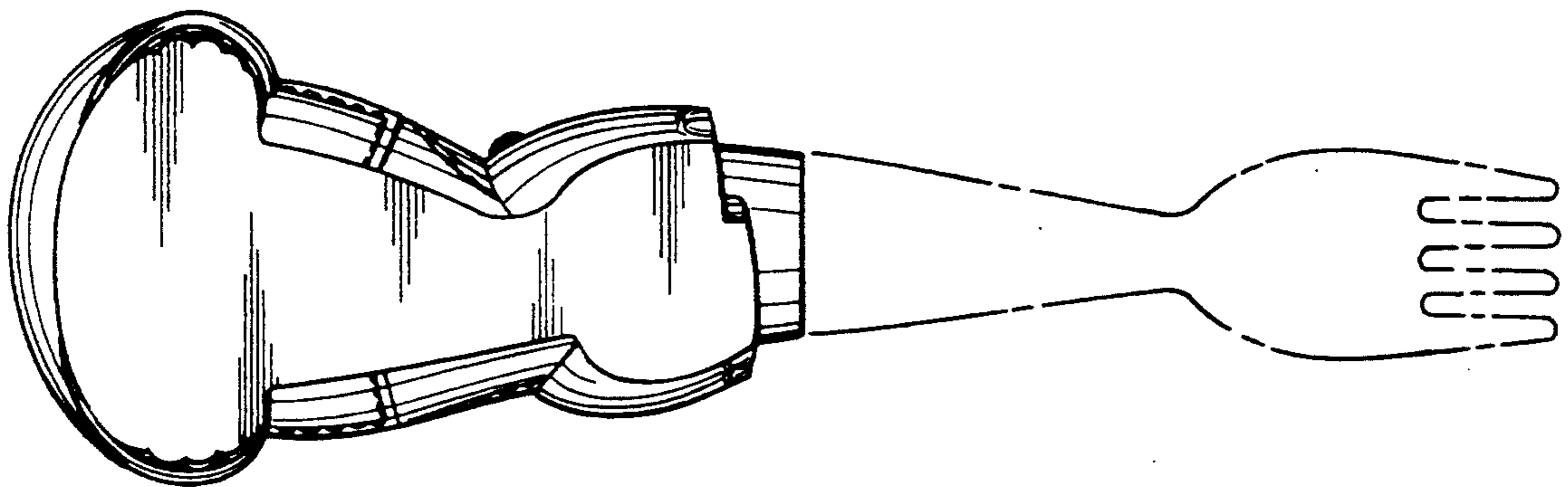


Fig. 6