



US00D347144S

United States Patent [19]

[11] Patent Number: **Des. 347,144**

Brady

[45] Date of Patent: **** May 24, 1994**

[54] CONTAINER FOR BLENDER

[75] Inventor: **Martin Brady, Richmond, Va.**

[73] Assignee: **Hamilton Beach/Proctor - Silex, Inc.,
Glen Allen, Va.**

[**] Term: **14 Years**

[21] Appl. No.: **2,662**

[22] Filed: **Dec. 18, 1992**

[52] U.S. Cl. **D7/413; D7/387**

[58] Field of Search **D7/300, 316, 317, 318,
D7/376, 377, 378, 386, 413; 241/37.5, 92, 93,
101.1, 199.12, 282.1, 282.2; 366/129, 130, 197,
199, 204, 205, 314**

[56] References Cited

U.S. PATENT DOCUMENTS

D. 146,593	4/1947	Brunetti	D7/317
D. 204,924	5/1966	Di Sesa	D7/378
D. 220,416	4/1971	Folden	D7/413
D. 259,133	5/1981	Klawitter	D21/122
D. 309,548	7/1990	McCloskey	D7/378
D. 321,301	11/1991	Purkapile	D7/376
D. 337,240	7/1993	Levin	D7/376

OTHER PUBLICATIONS

Unpublished photographs of the Hamilton Beach 2 speed cordless blender jar, Depicts blender jar which

was on sale more than one year prior to filing date of instant application.

Photocopy of front and back cover pages and page 208 of Best General Merchandise Catalog, published 1990 by Best Products Co. Inc.

Unpublished photographs of Black & Decker blender jar which is believed to have been on sale more than one year prior to filing date of instant application.

Refer to discussion in information disclosure statement.

Primary Examiner—Alan P. Douglas

Assistant Examiner—Caron D. Veynar

Attorney, Agent, or Firm—Roger S. Dybvig

[57] CLAIM

The ornamental design for a container for blender, as shown and described.

DESCRIPTION

FIG. 1 is a top, rear and right side perspective view of a container for blender showing my new design;

FIG. 2 is a left side elevational view thereof, with the right side being a mirror image of the left side;

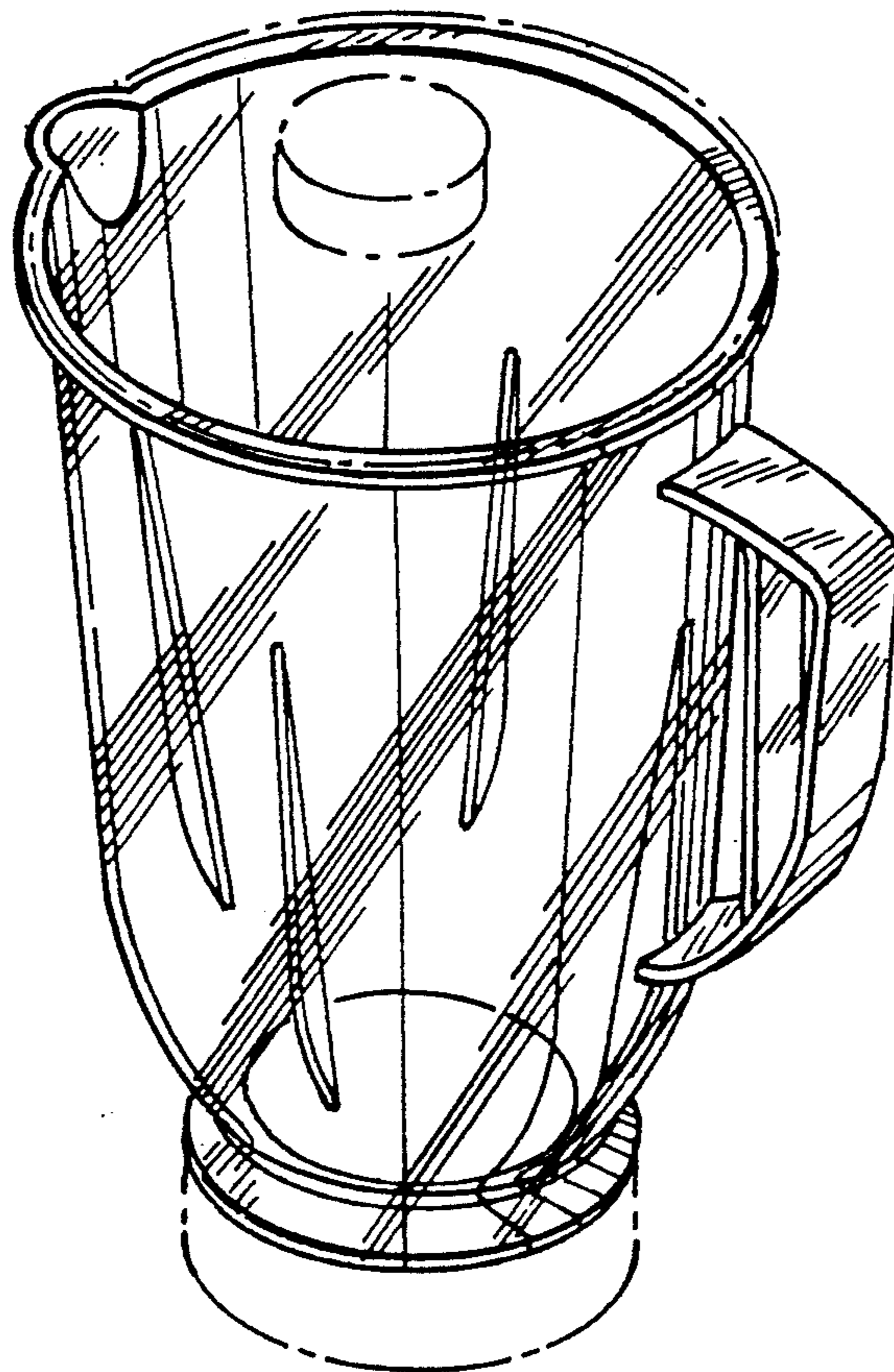
FIG. 3 is a rear elevational view thereof;

FIG. 4 is a front elevational view thereof;

FIG. 5 is a top plan view thereof; and,

FIG. 6 is a bottom plan view thereof.

The broken line showing of the lid and the base of the container in FIGS. 1 through 6 is for illustrative purposes only and forms no part of the claimed design.



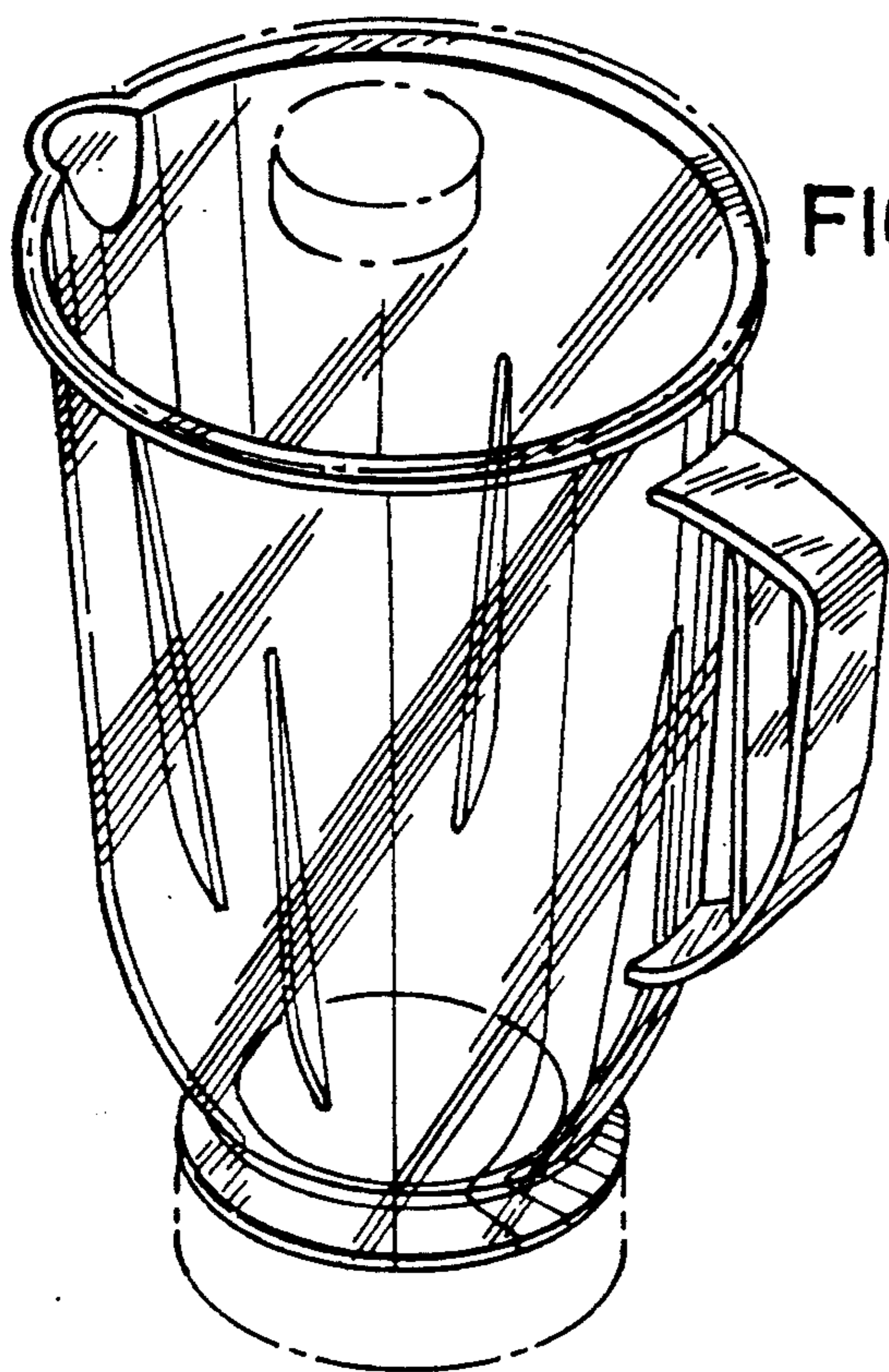


FIG-1

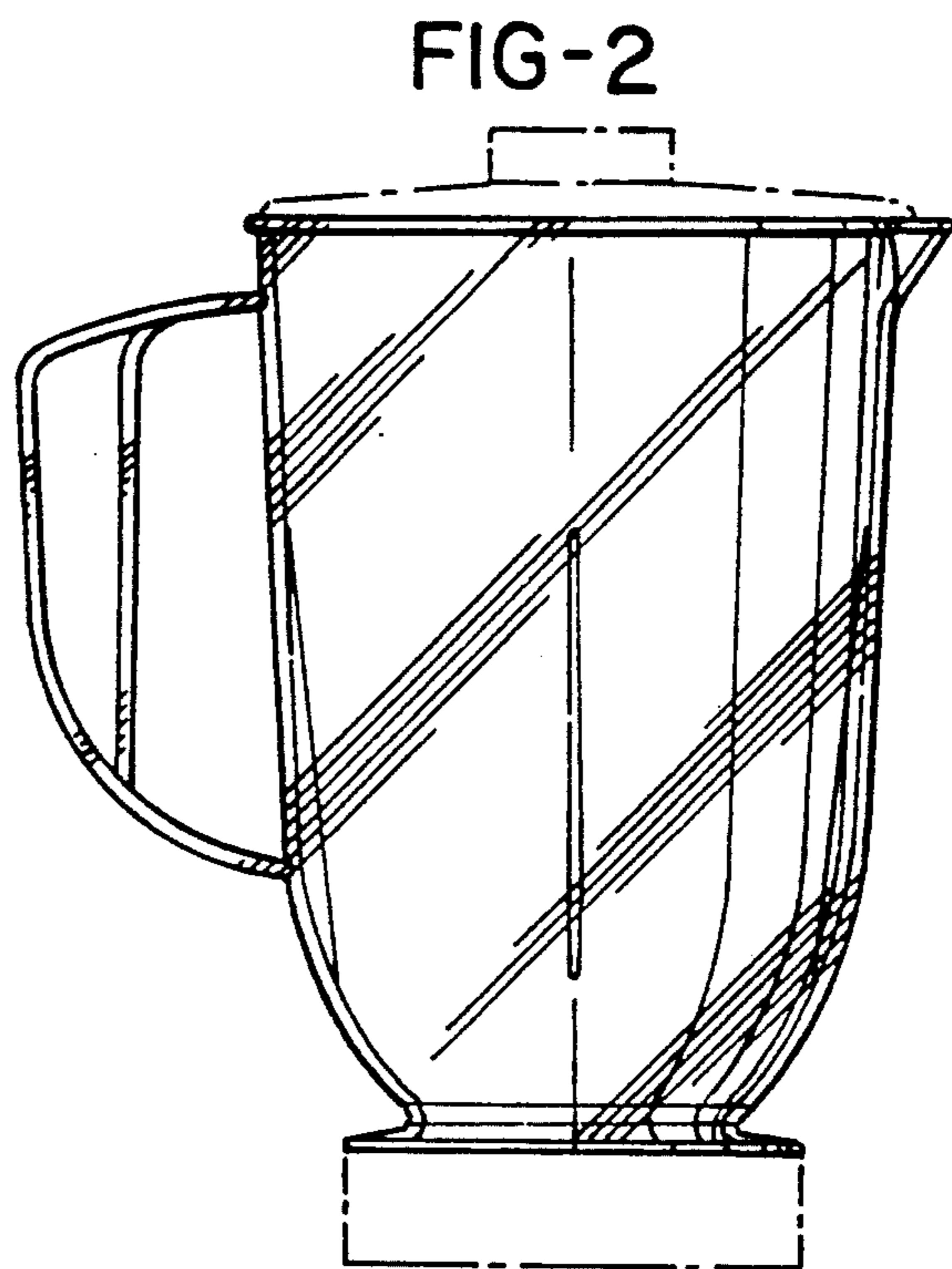


FIG-2

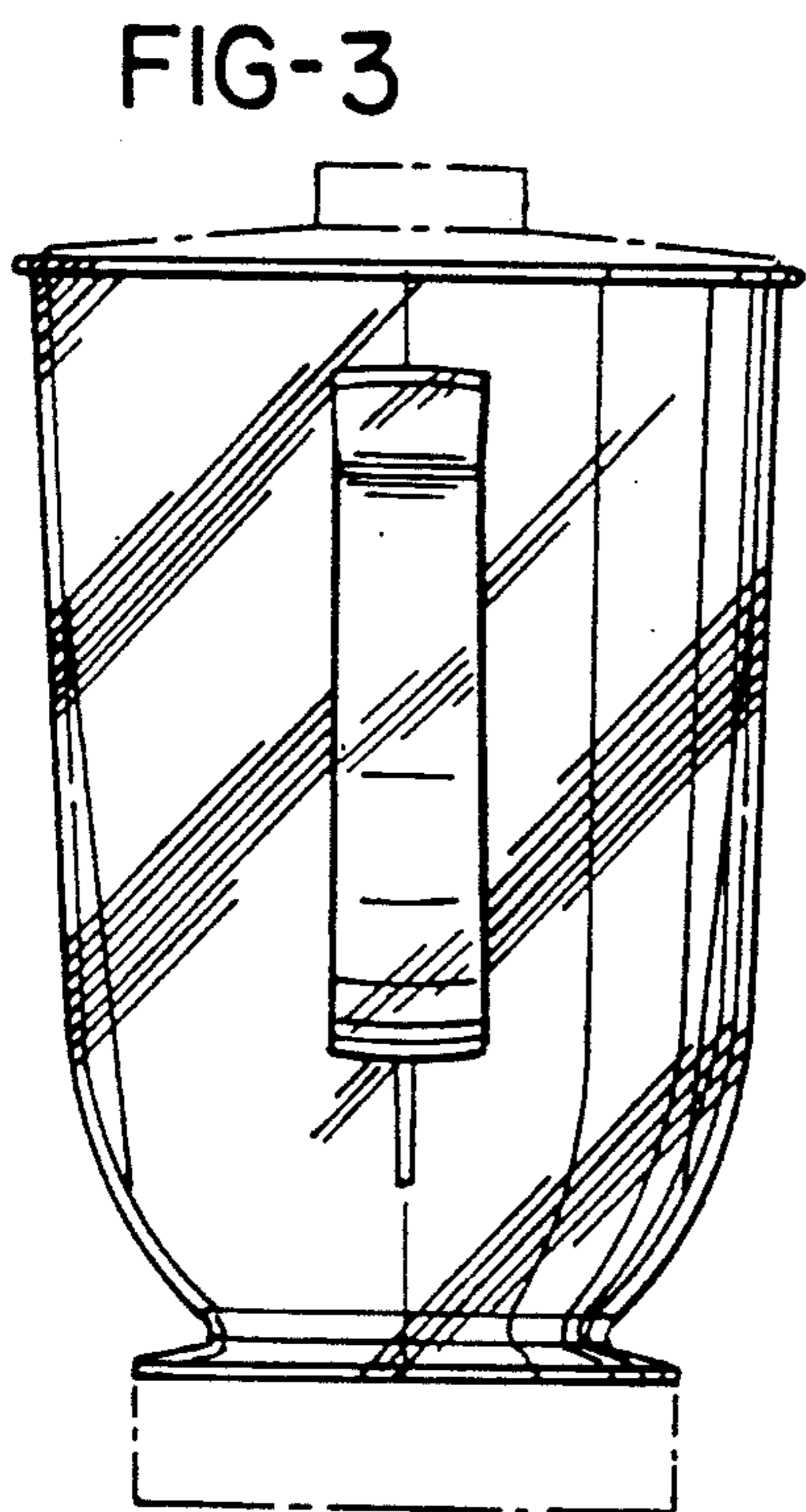


FIG-3

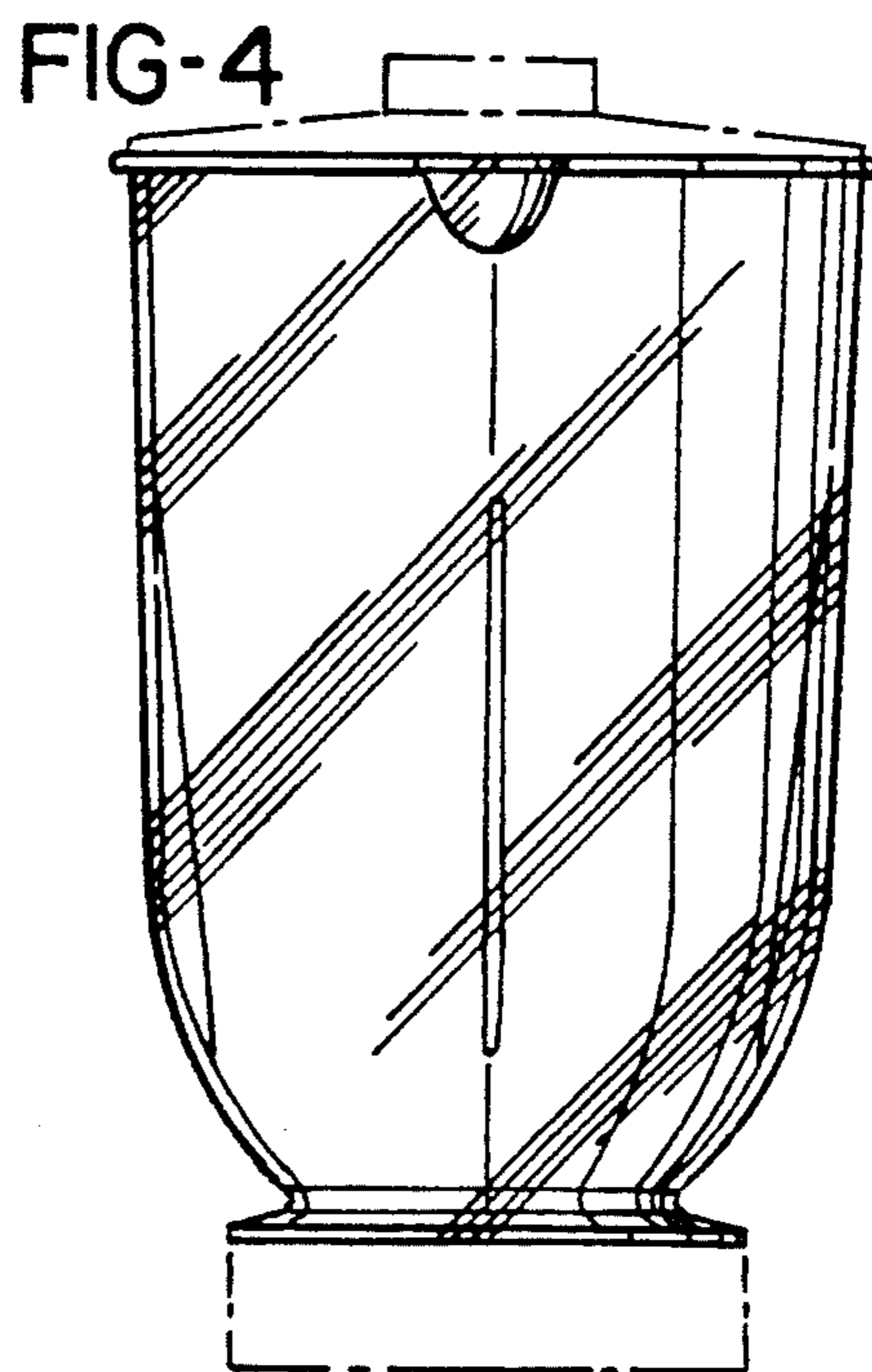


FIG-4

FIG-5

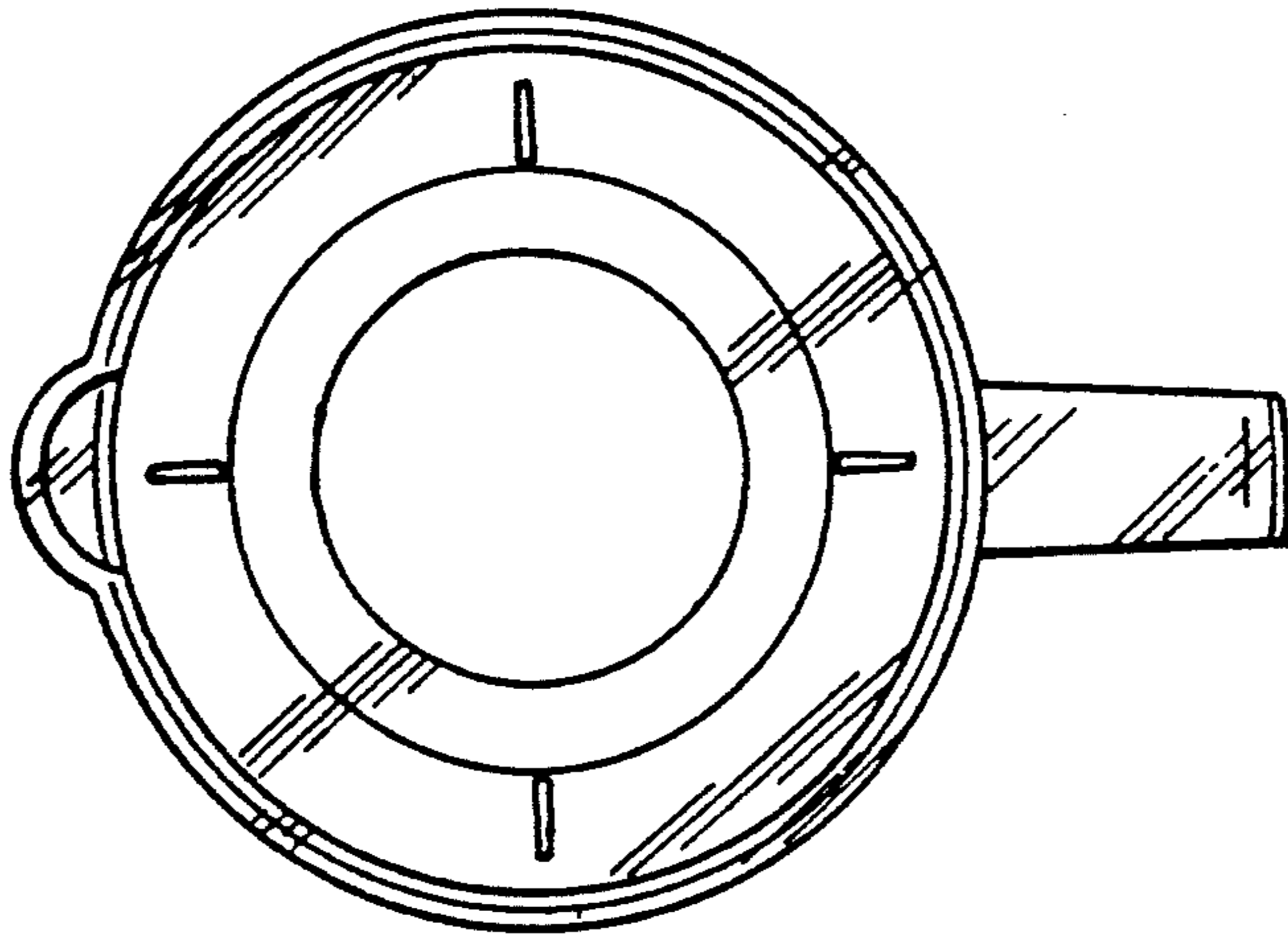


FIG-6

