



US00D347143S

United States Patent [19]

[11] Patent Number: **Des. 347,143**

Awyong

[45] Date of Patent: **** May 24, 1994**

[54] **POULTRY ROASTING DISH**

[76] Inventor: **Soen T. Awyong**, 46 Chartfield Avenue, London, England, SW15 6HG

[**] Term: **14 Years**

[21] Appl. No.: **789,156**

[22] Filed: **Nov. 6, 1991**

[30] **Foreign Application Priority Data**

May 8, 1991 [GB] United Kingdom 2014610

[52] U.S. Cl. **D7/403; D7/409; D7/547**

[58] **Field of Search** D7/387, 409, 547, 213, D7/397, 354, 500, 552, 554, 584, 532; D6/455, 457; D3/39, 26; 270/574, 669; 99/442, 346, 419; D28/93, 82, 73

[56] **References Cited**

U.S. PATENT DOCUMENTS

- D. 204,996 6/1966 Lepoix D7/354
- D. 215,907 11/1969 Little D7/552 X
- D. 220,230 3/1971 Friedman D7/547 X
- D. 261,466 10/1981 Harper D7/554
- D. 326,587 6/1992 Convertini D7/547 X
- 1,339,625 5/1920 Holloway 99/419
- 1,565,077 12/1925 Finn D7/409 X
- 2,111,456 3/1938 Markle, Jr. 99/419 X
- 2,821,904 2/1958 Arcabosso D7/387 X
- 3,713,378 1/1973 West et al. 99/419 X

FOREIGN PATENT DOCUMENTS

1621866 1/1991 U.S.S.R. 99/442

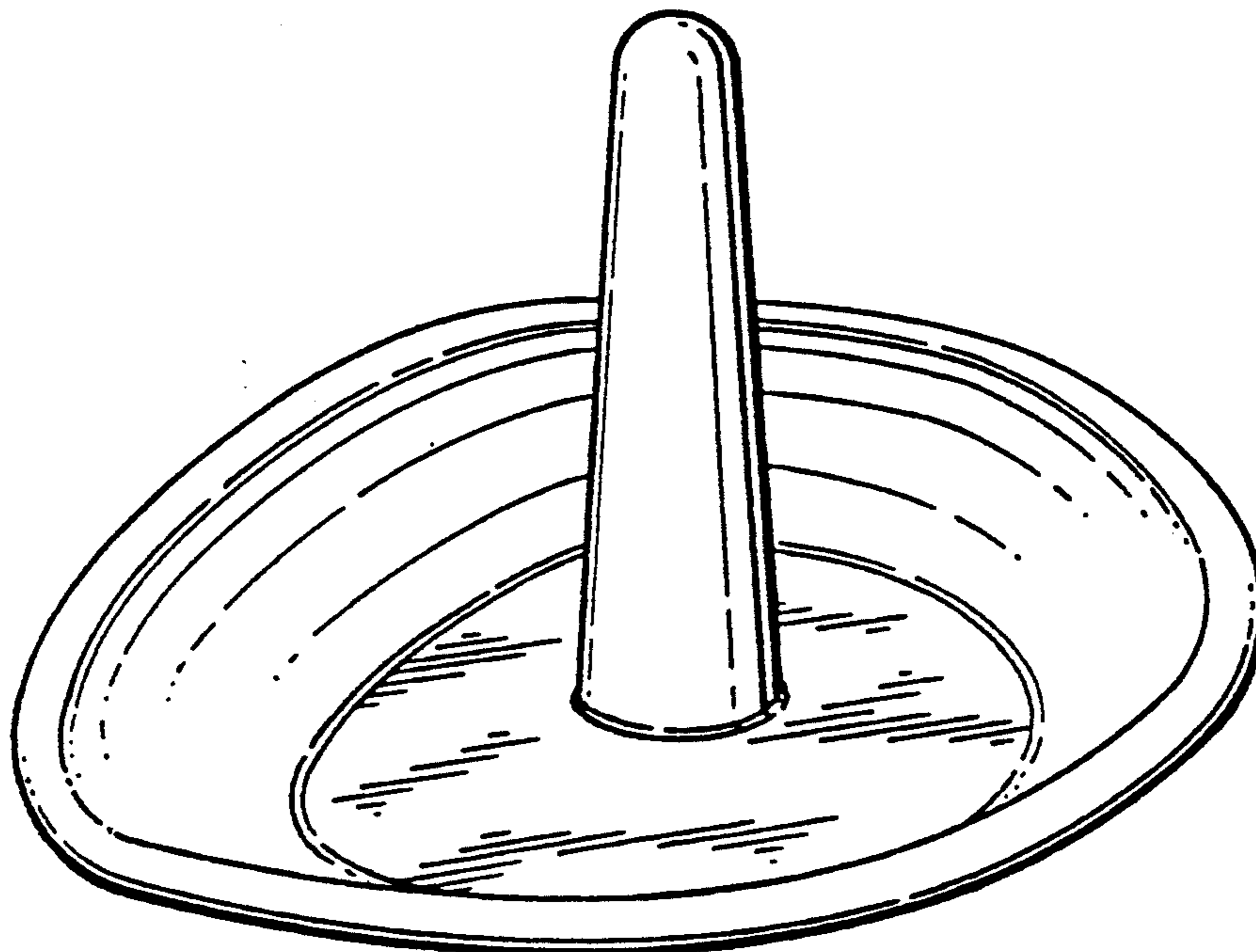
Primary Examiner—Alan P. Douglas
Assistant Examiner—M. N. Pandozzi
Attorney, Agent, or Firm—Elbie R. de Kock; John Russell Uren

[57] **CLAIM**

The ornamental design for a poultry roasting dish, as shown.

DESCRIPTION

FIG. 1 is a top perspective view of a poultry roasting dish showing my new design;
 FIG. 2 is a side elevational view thereof;
 FIG. 3 is a bottom perspective view thereof;
 FIG. 4 is a bottom plan view thereof;
 FIG. 5 is a top perspective view of a poultry roasting dish showing a second embodiment of my new design;
 FIG. 6 is a top perspective view of a poultry roasting dish showing a third embodiment of my new design;
 FIG. 7 is a top plan view thereof;
 FIG. 8 is a side elevational view thereof;
 FIG. 9 is a bottom plan view thereof;
 FIG. 10 is a side elevational view thereof taken 90° from that shown in FIG. 8;
 FIG. 11 is a top perspective view of a poultry roasting dish showing a fourth embodiment of my new design;
 FIG. 12 is a top perspective view of a poultry roasting dish showing a fifth embodiment of my new design;
 FIG. 13 is a side elevational view of the second embodiment;
 FIG. 14 is a side elevational view of the fourth embodiment; and,
 FIG. 15 is a side elevational view of a fifth embodiment.



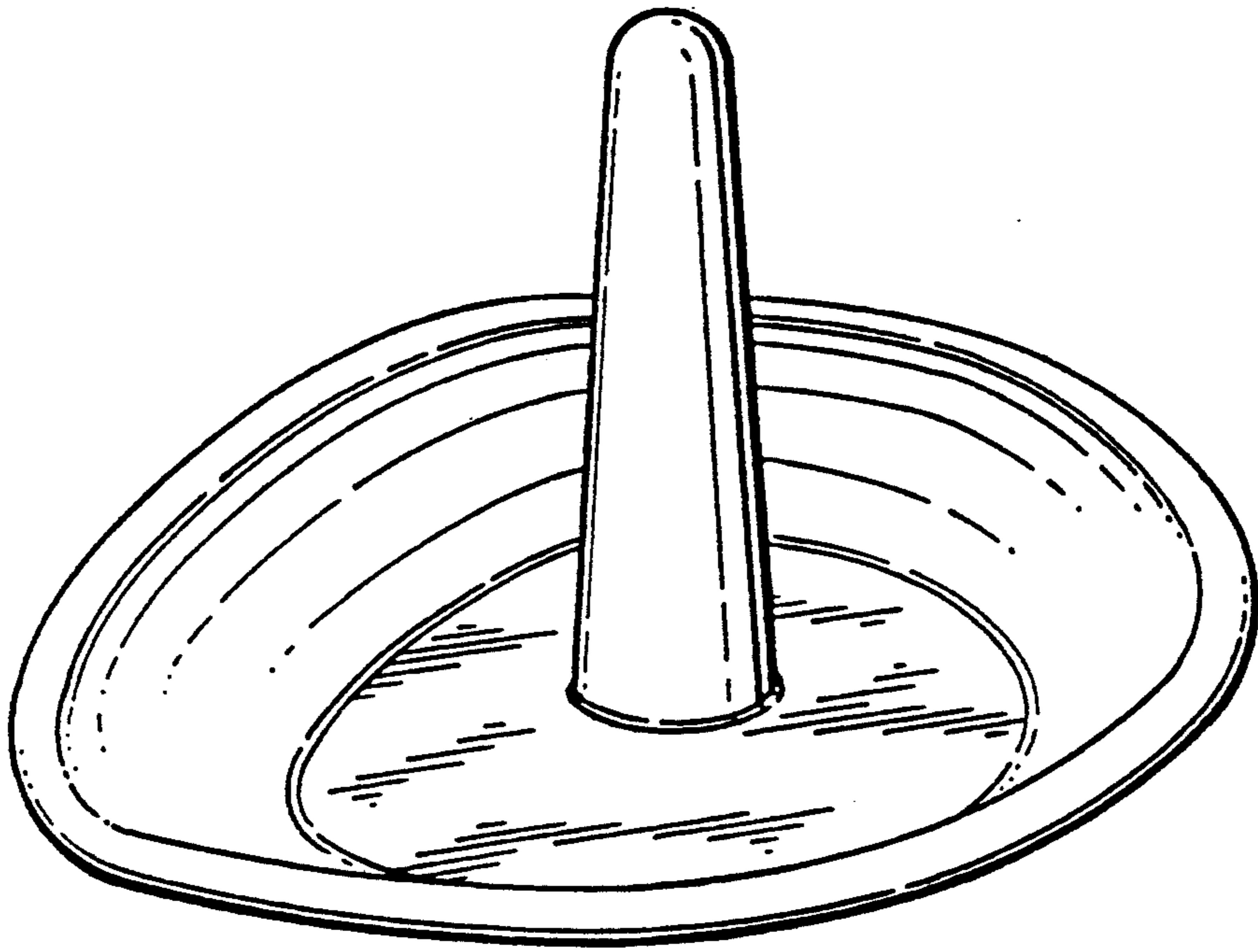


FIG. 1

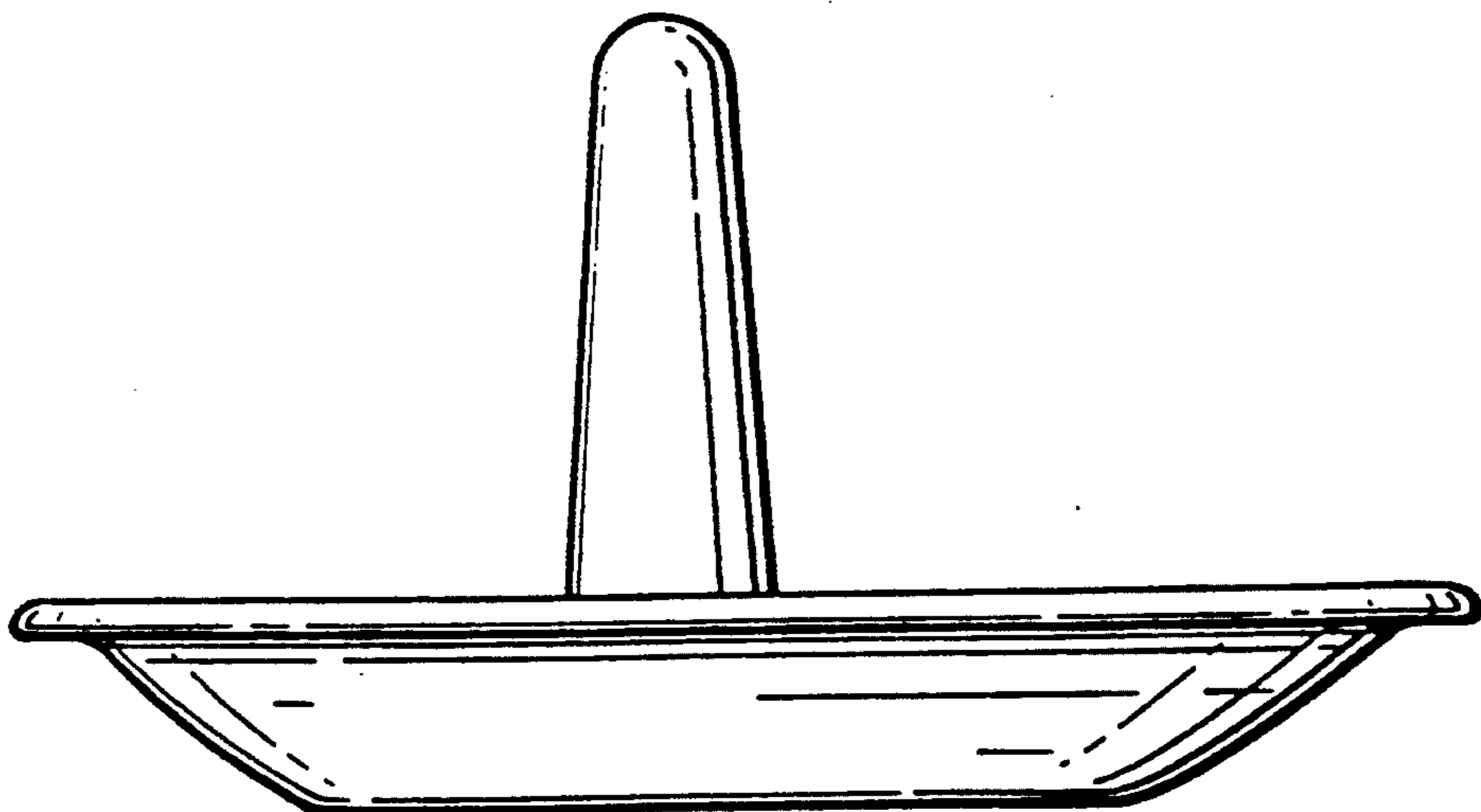


FIG. 2

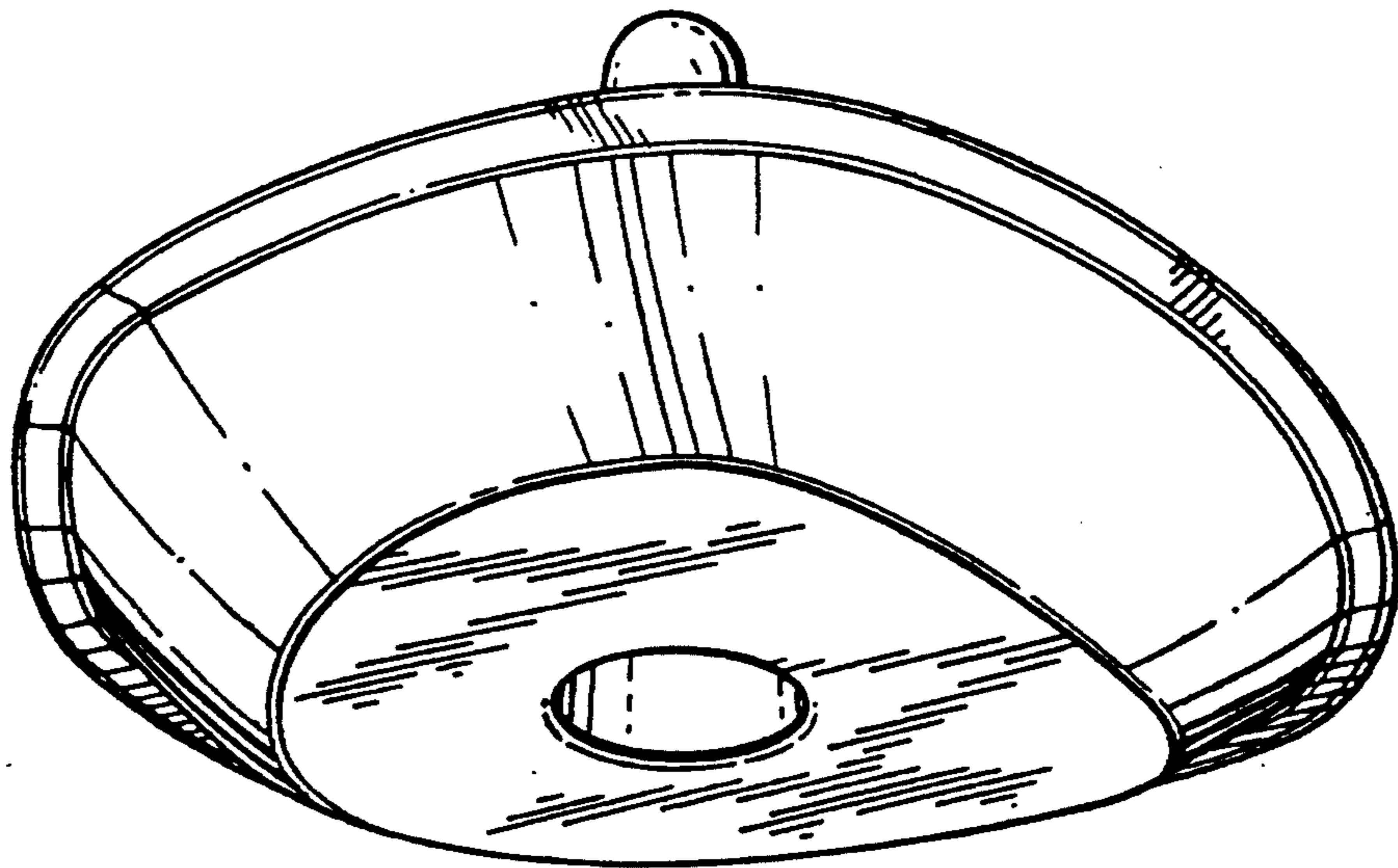


FIG. 3

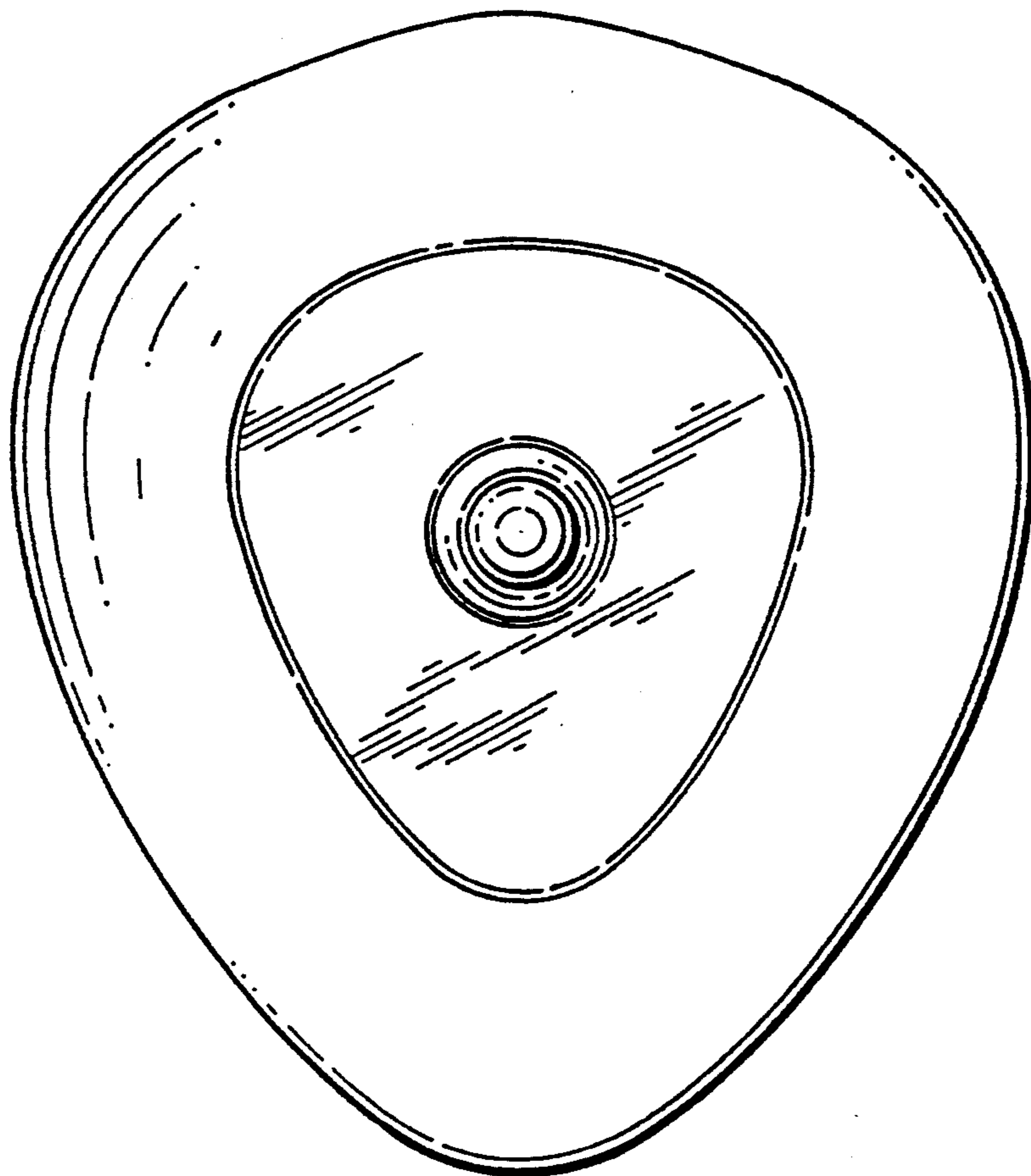


FIG. 4

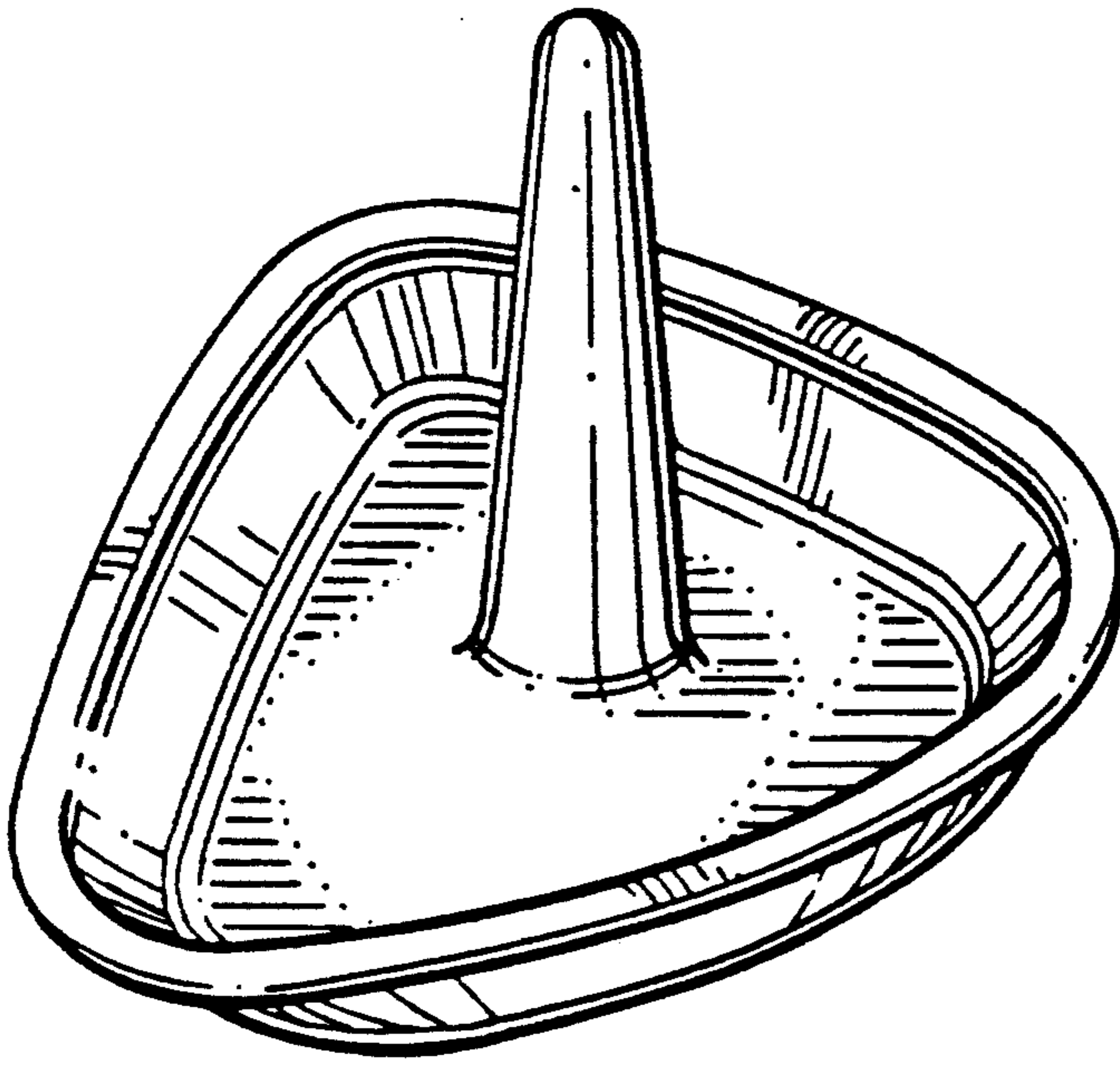


FIG. 5

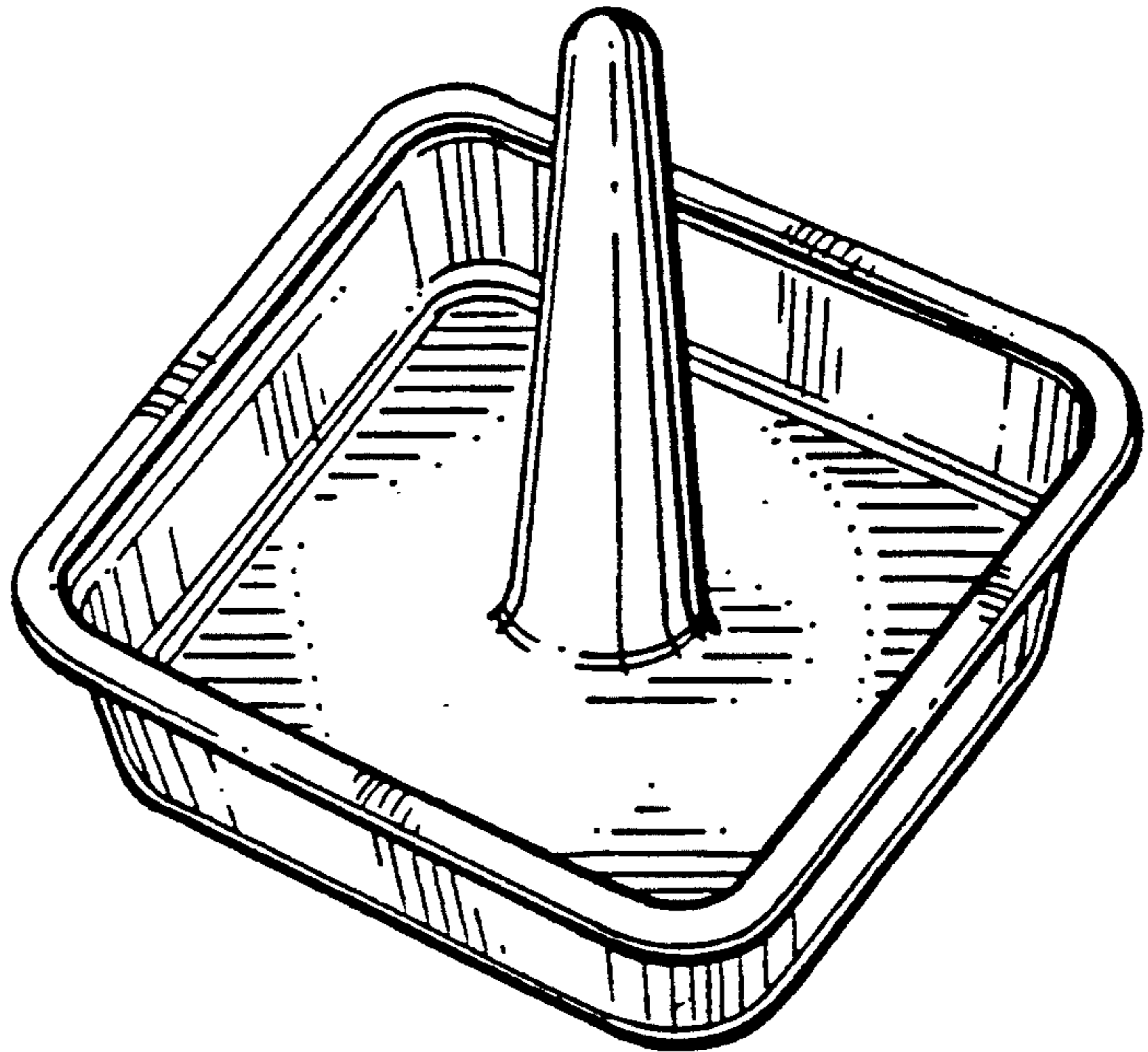


FIG. 11

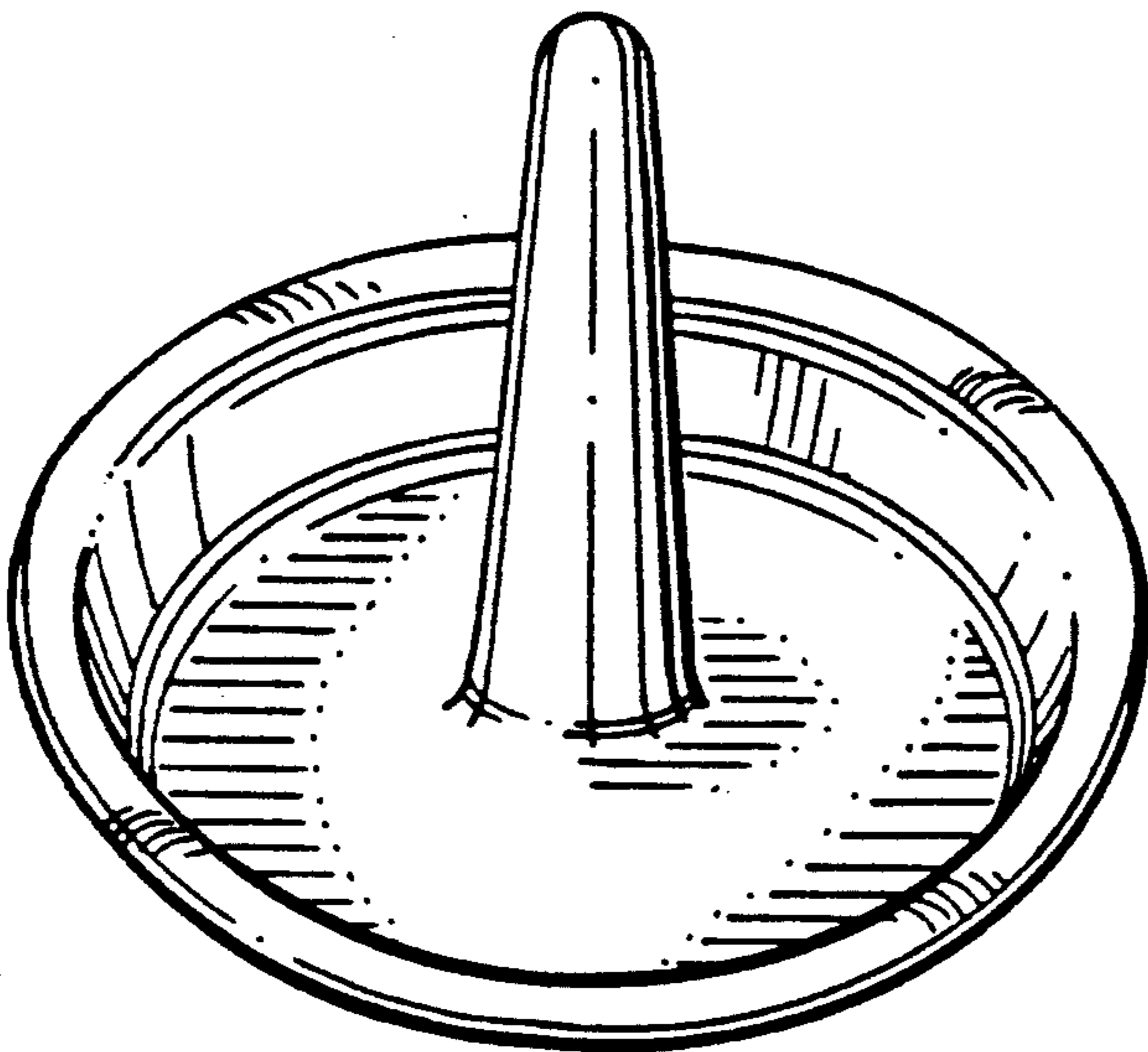


FIG. 12

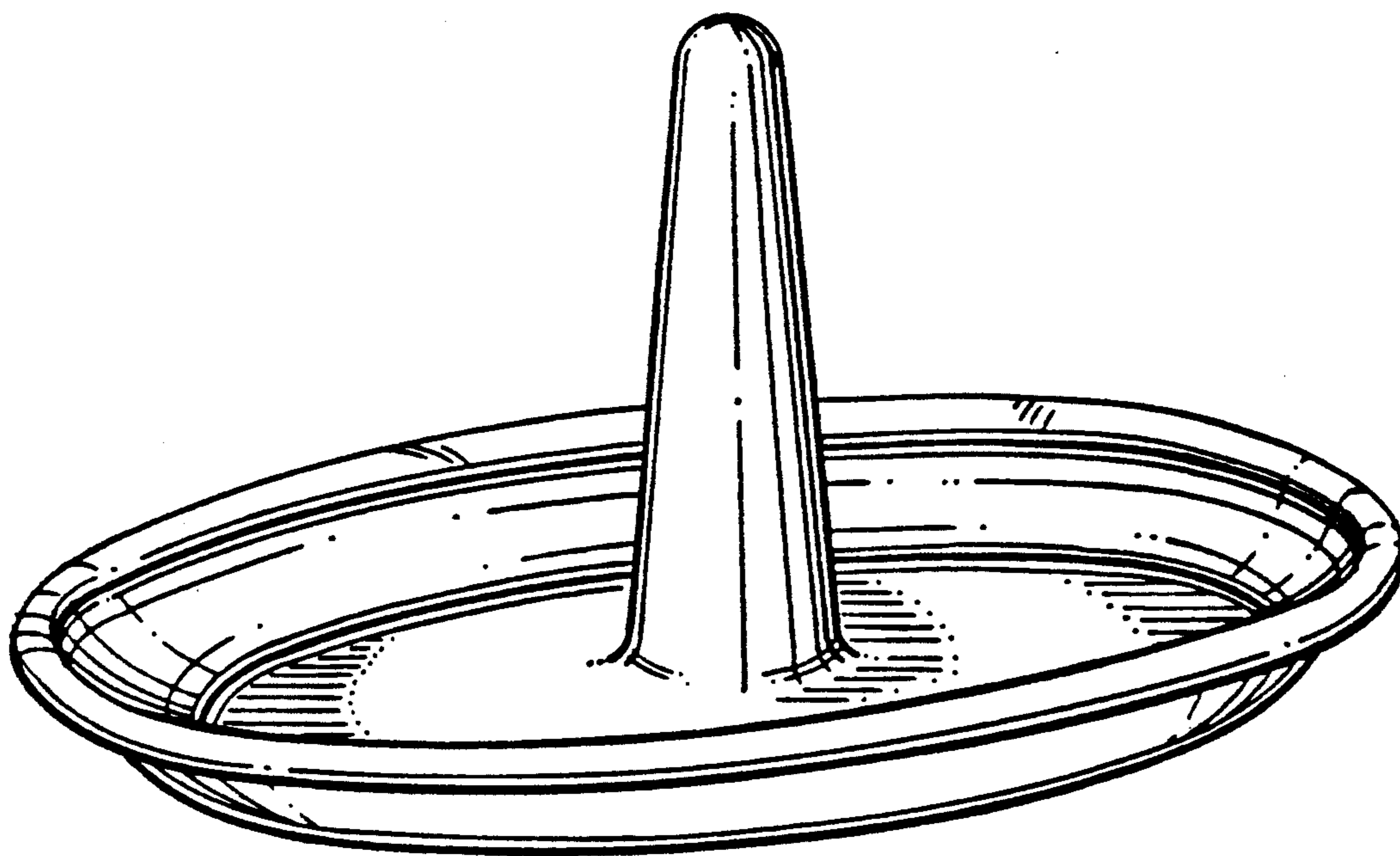


FIG. 6

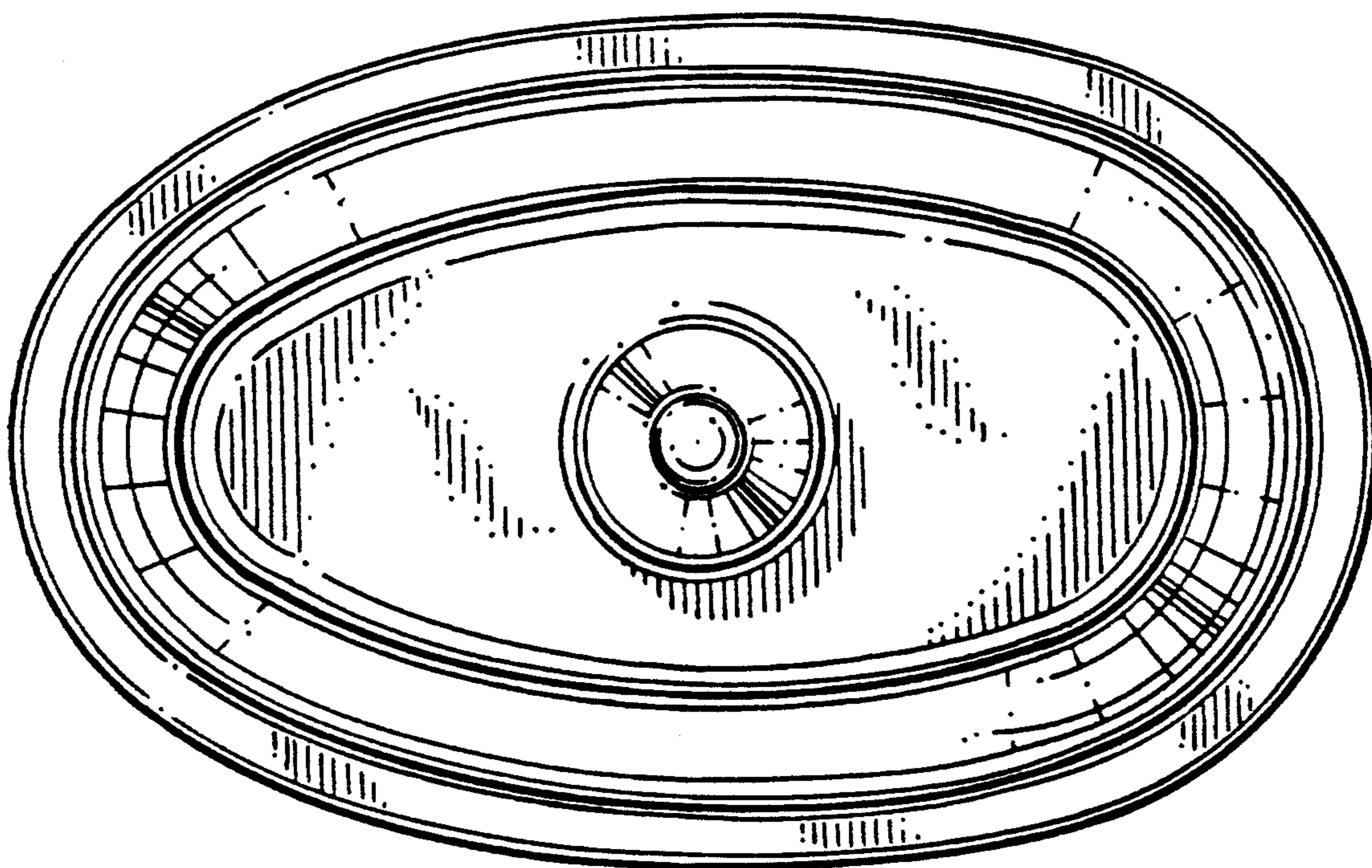


FIG. 7

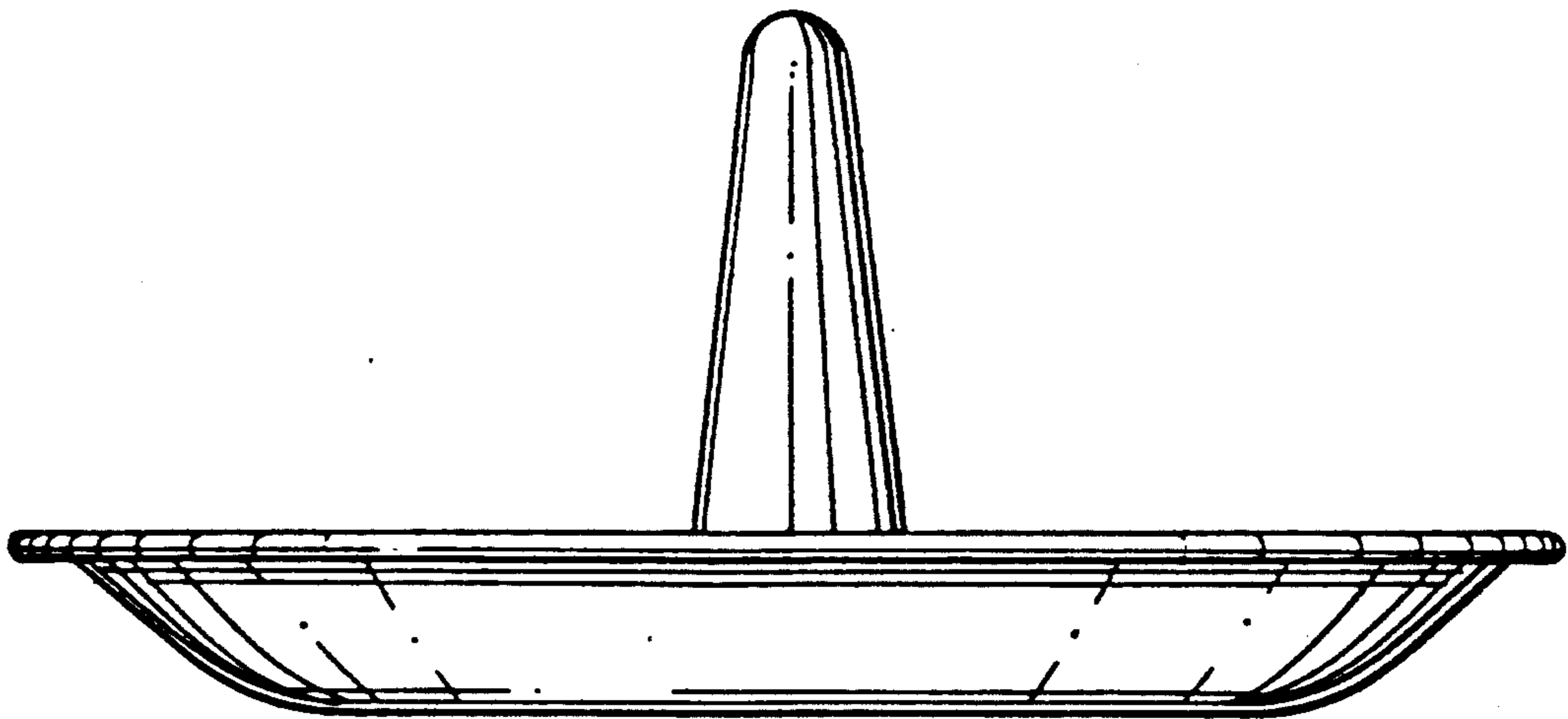


FIG. 8

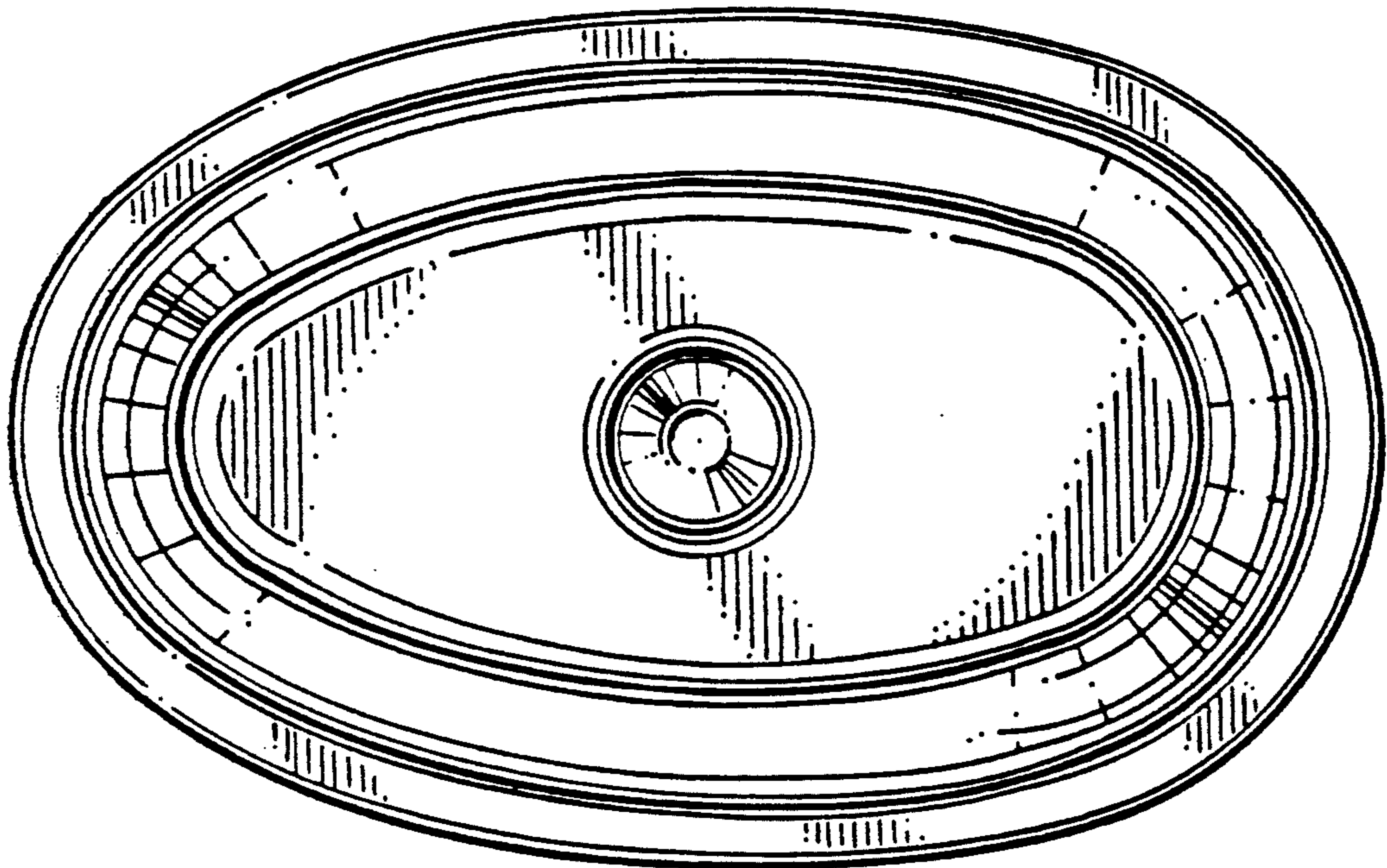


FIG. 9

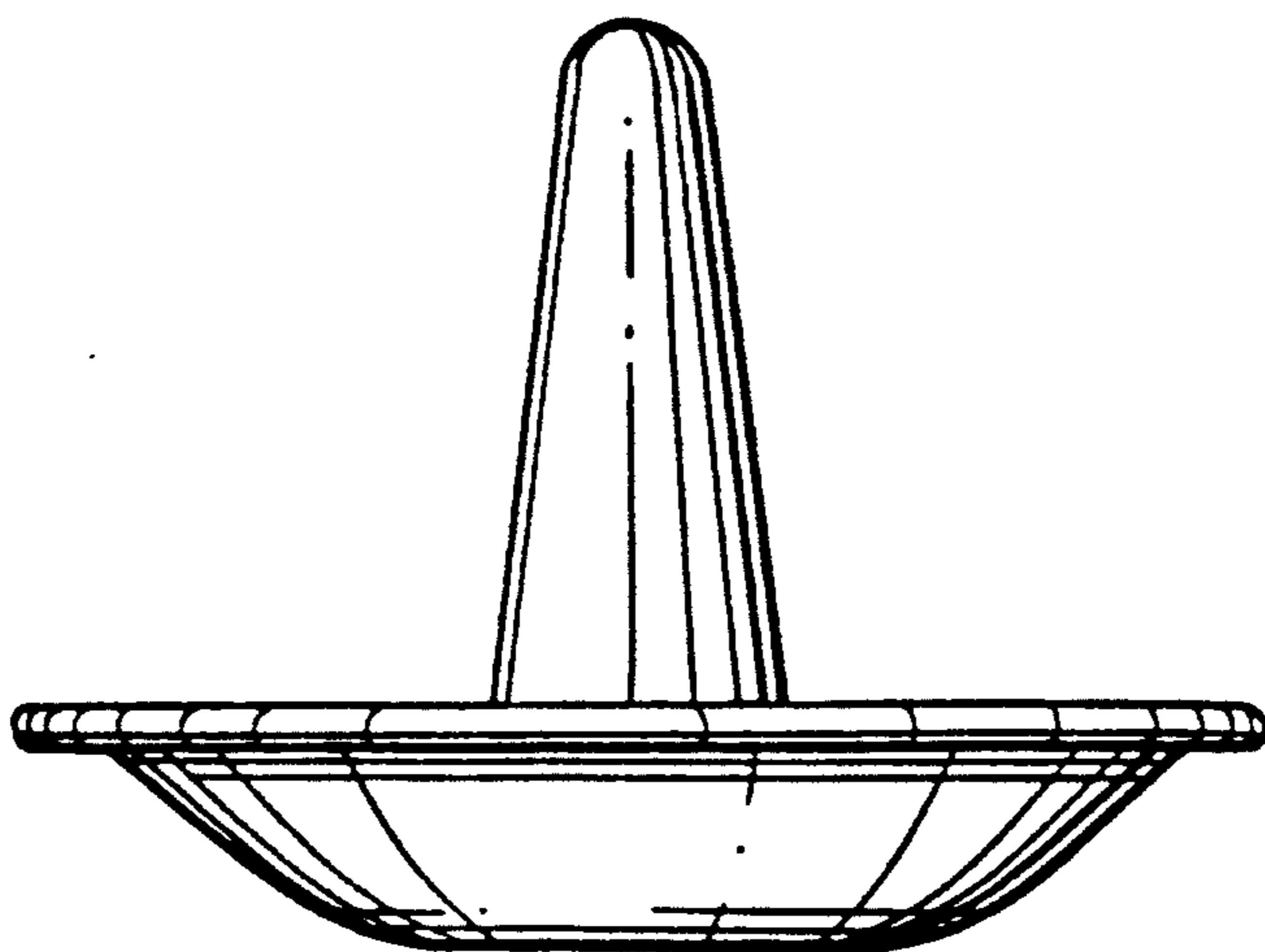


FIG. 10

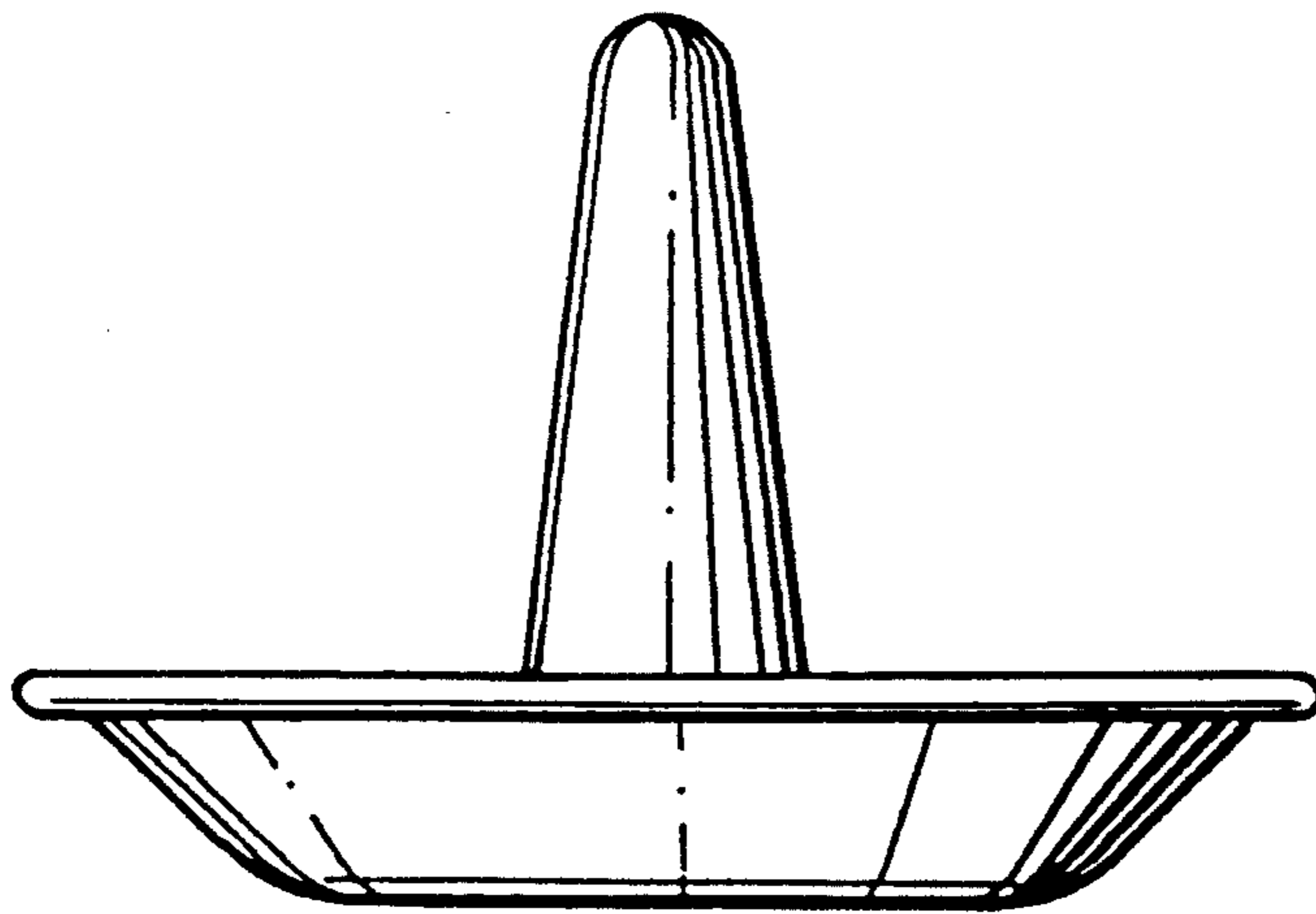


FIG. 13

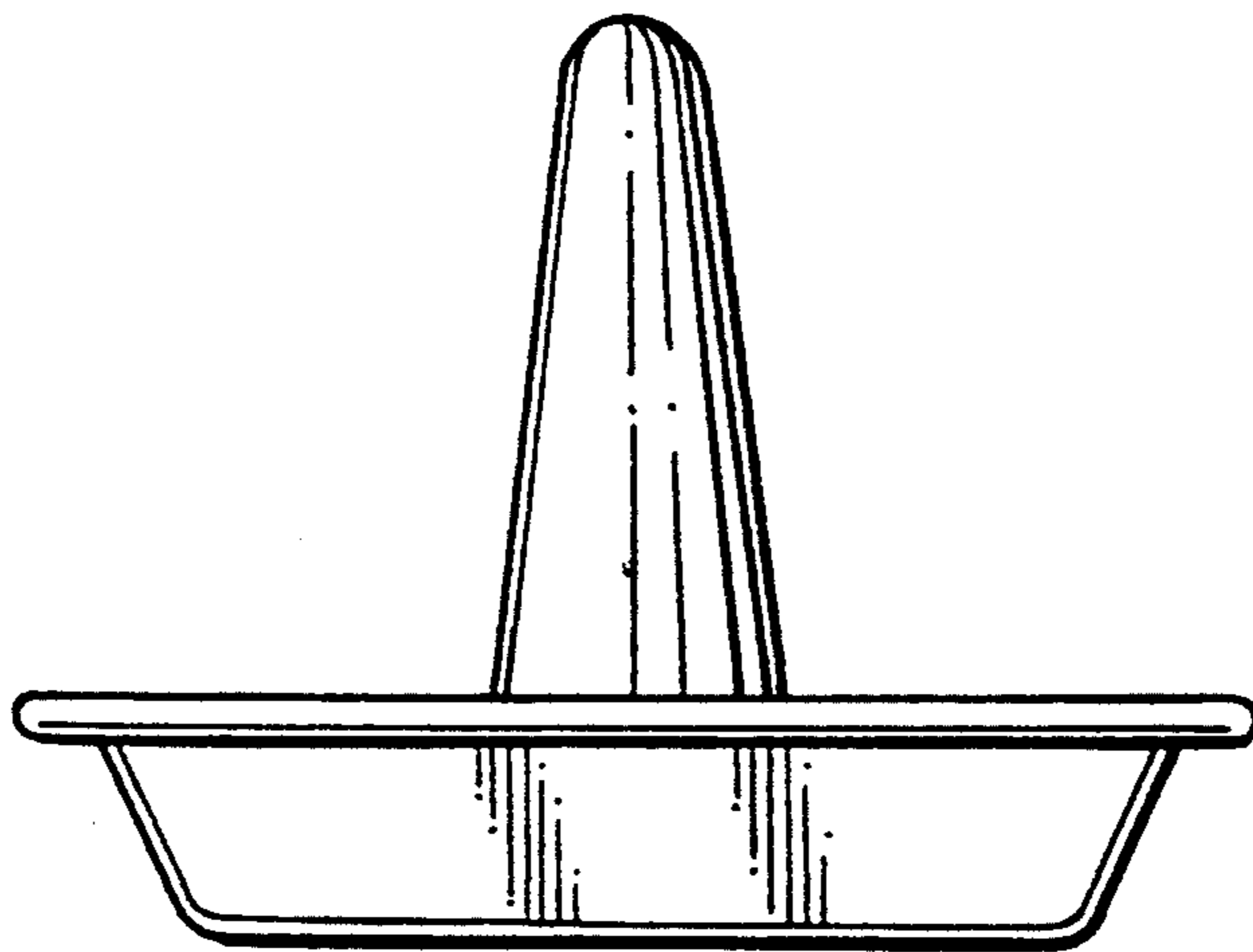


FIG. 14

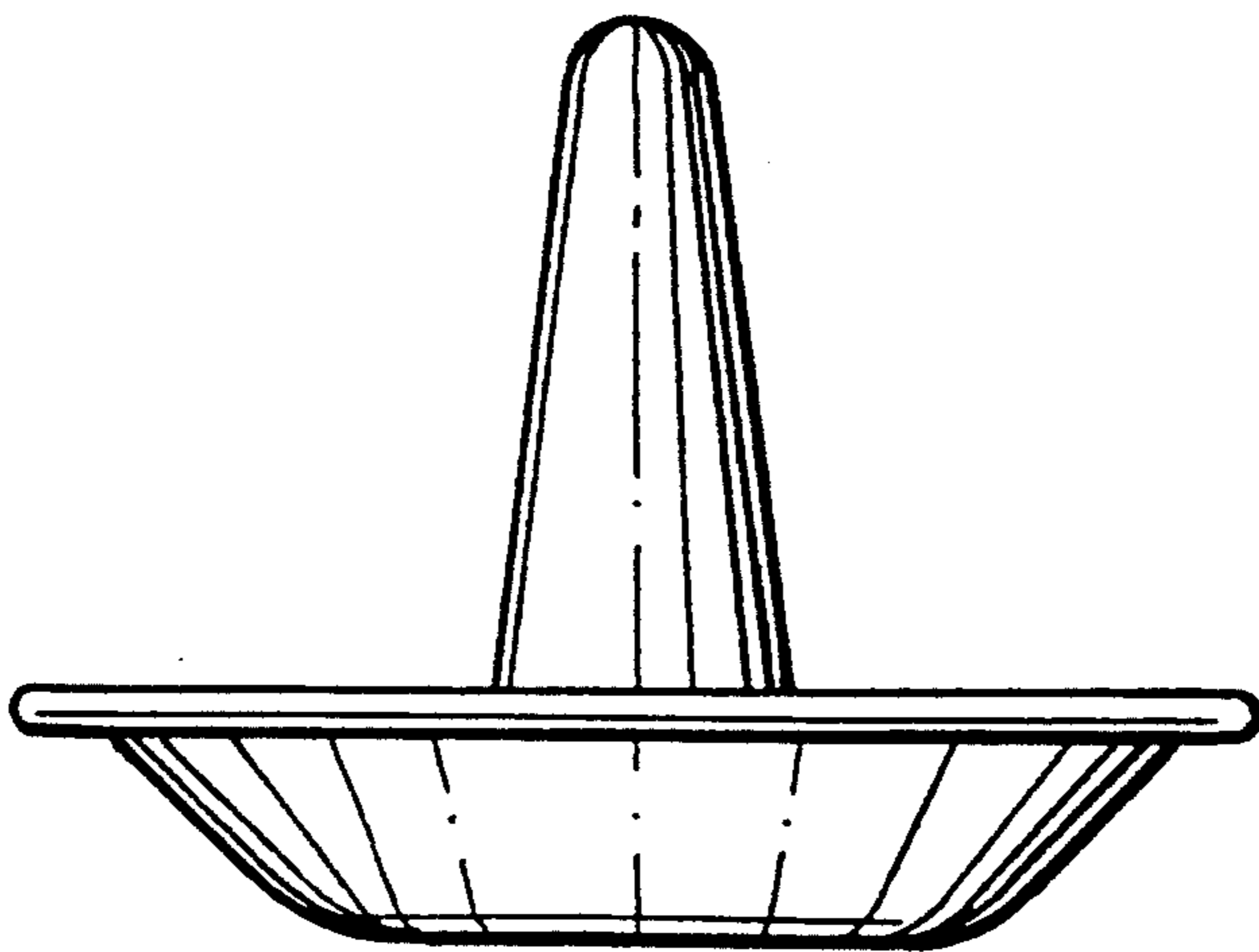


FIG. 15