



US00D347140S

United States Patent [19]

[11] Patent Number: **Des. 347,140**

Dornbush et al.

[45] Date of Patent: **** May 24, 1994**

[54] **COUNTERTOP AIR OVEN**

D. 329,163 9/1992 Chang D7/348
4,817,509 4/1989 Erickson .
5,165,328 11/1992 Erickson et al. .

[75] Inventors: **David A. Dornbush**, Prior Lake;
Robert Worrell, Hopkins, both of
Minn.

Primary Examiner—Ruth McInroy
Attorney, Agent, or Firm—Merchant, Gould, Smith,
Edell, Welter & Schmidt

[73] Assignee: **Alternative Pioneering Systems, Inc.**,
Chaska, Minn.

[57] **CLAIM**

[**] Term: **14 Years**

The ornamental design for a countertop air oven, as
shown and described.

[21] Appl. No.: **909,803**

DESCRIPTION

[22] Filed: **Jul. 2, 1992**

[52] U.S. Cl. **D7/350**

[58] Field of Search **D7/347, 348, 350;**
99/467, 468, 325, 341, 359; 126/275 R, 275 E;
219/391, 400, 402

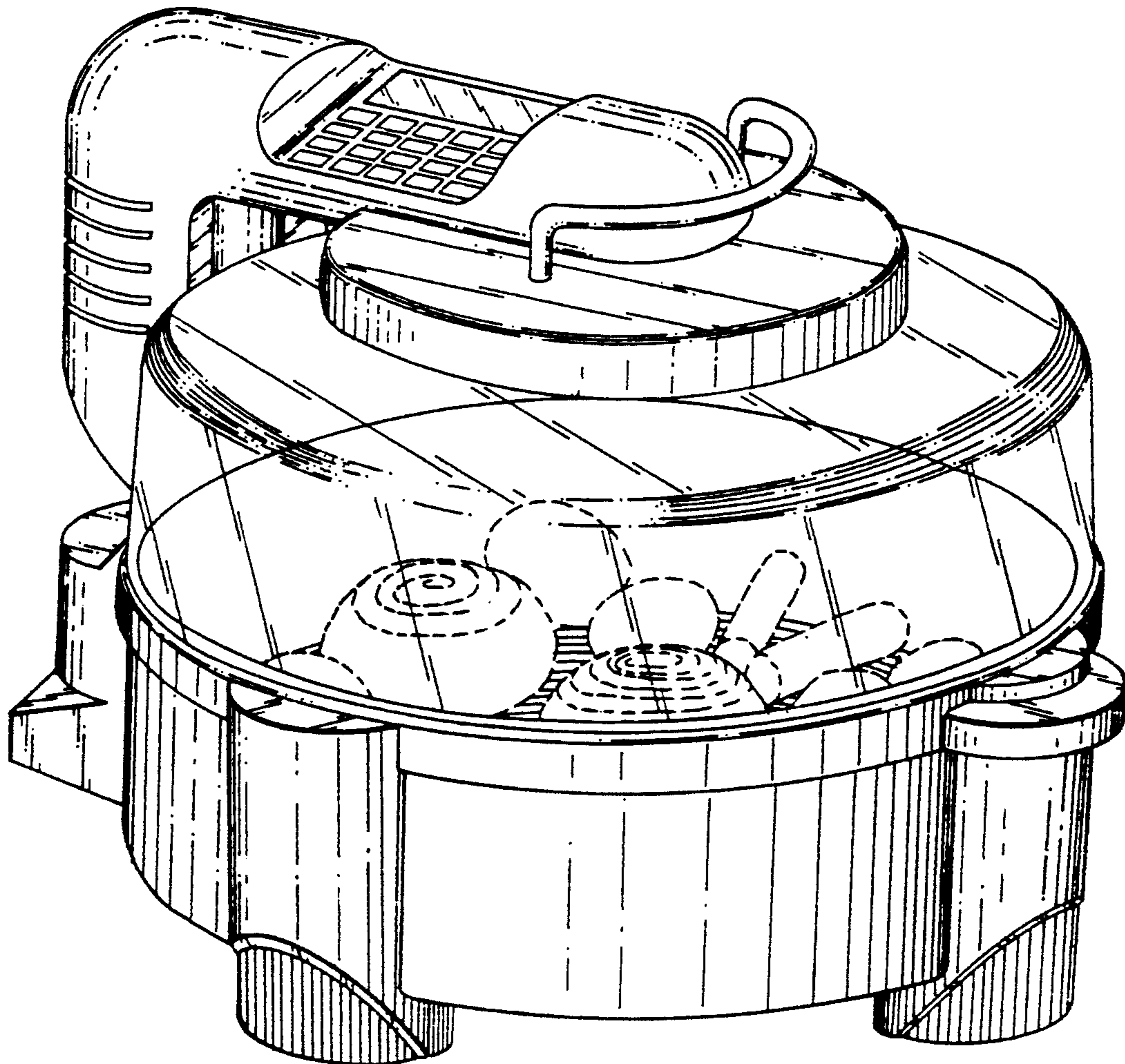
FIG. 1 is a front left perspective view of a countertop
air oven showing our new design;
FIG. 2 is a front elevational view thereof;
FIG. 3 is a rear elevational view thereof;
FIG. 4 is a right side elevational view thereof;
FIG. 5 is a left side elevational view thereof;
FIG. 6 is a top plan view thereof; and,
FIG. 7 is a bottom plan view thereof.

The food shown in broken lines in FIG. 1 is shown for
illustrative purposes only and forms no part of the
claimed design.

[56] **References Cited**

U.S. PATENT DOCUMENTS

- D. 321,109 10/1991 Erickson et al. .
- D. 321,110 10/1991 Worrell et al. .
- D. 328,687 8/1992 Dornbush et al. .



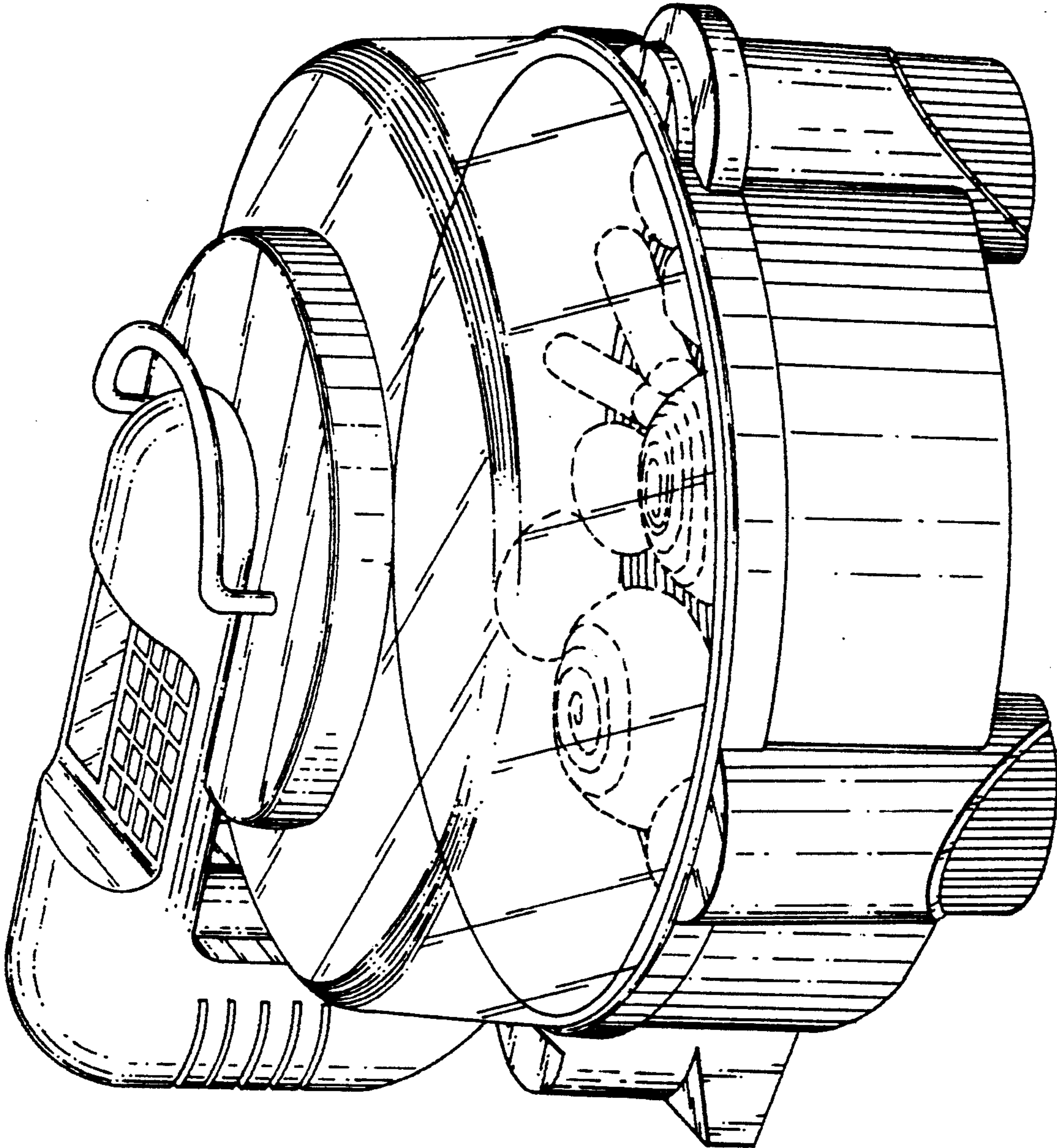


FIG. 1

FIG. 2

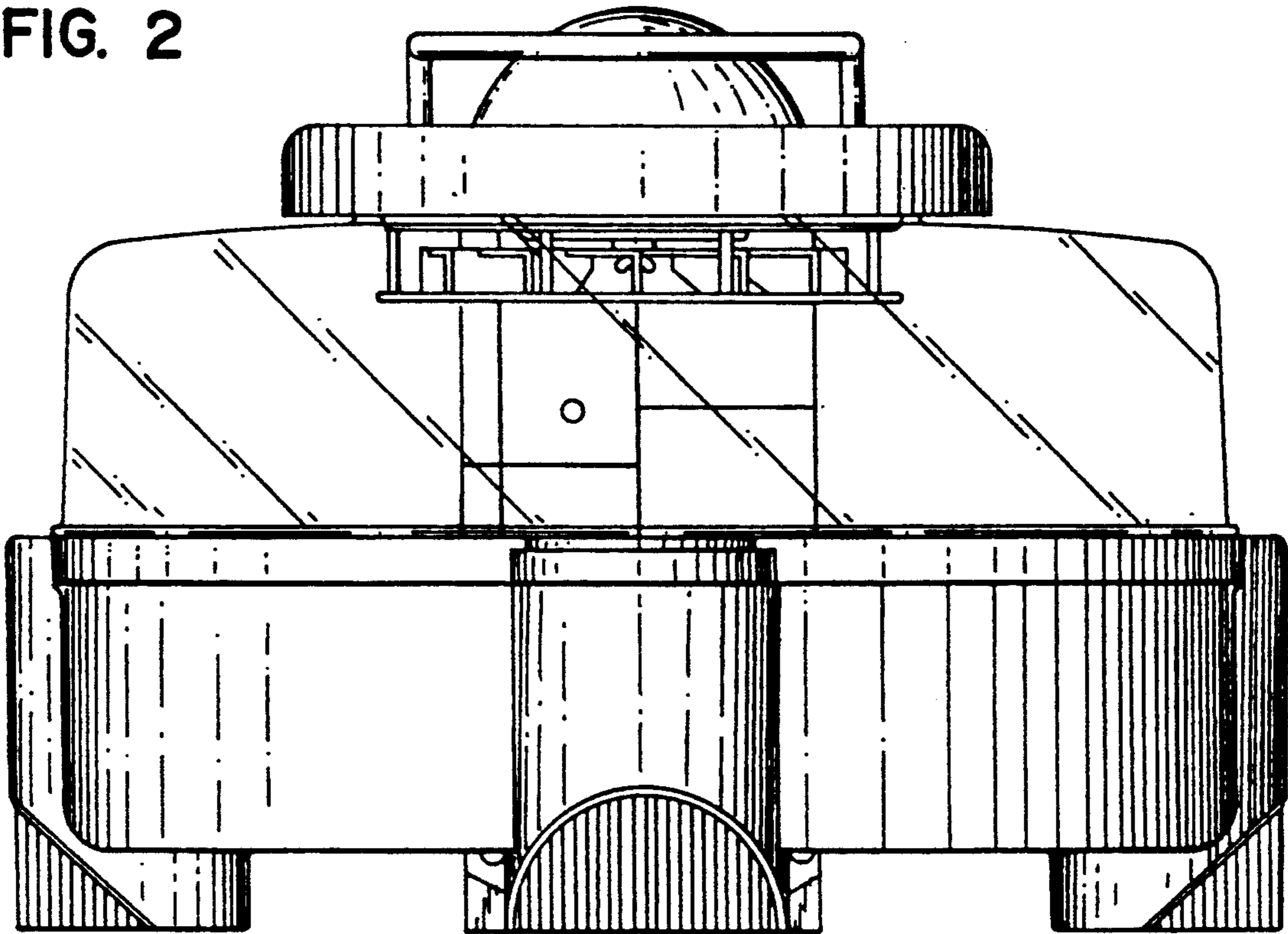
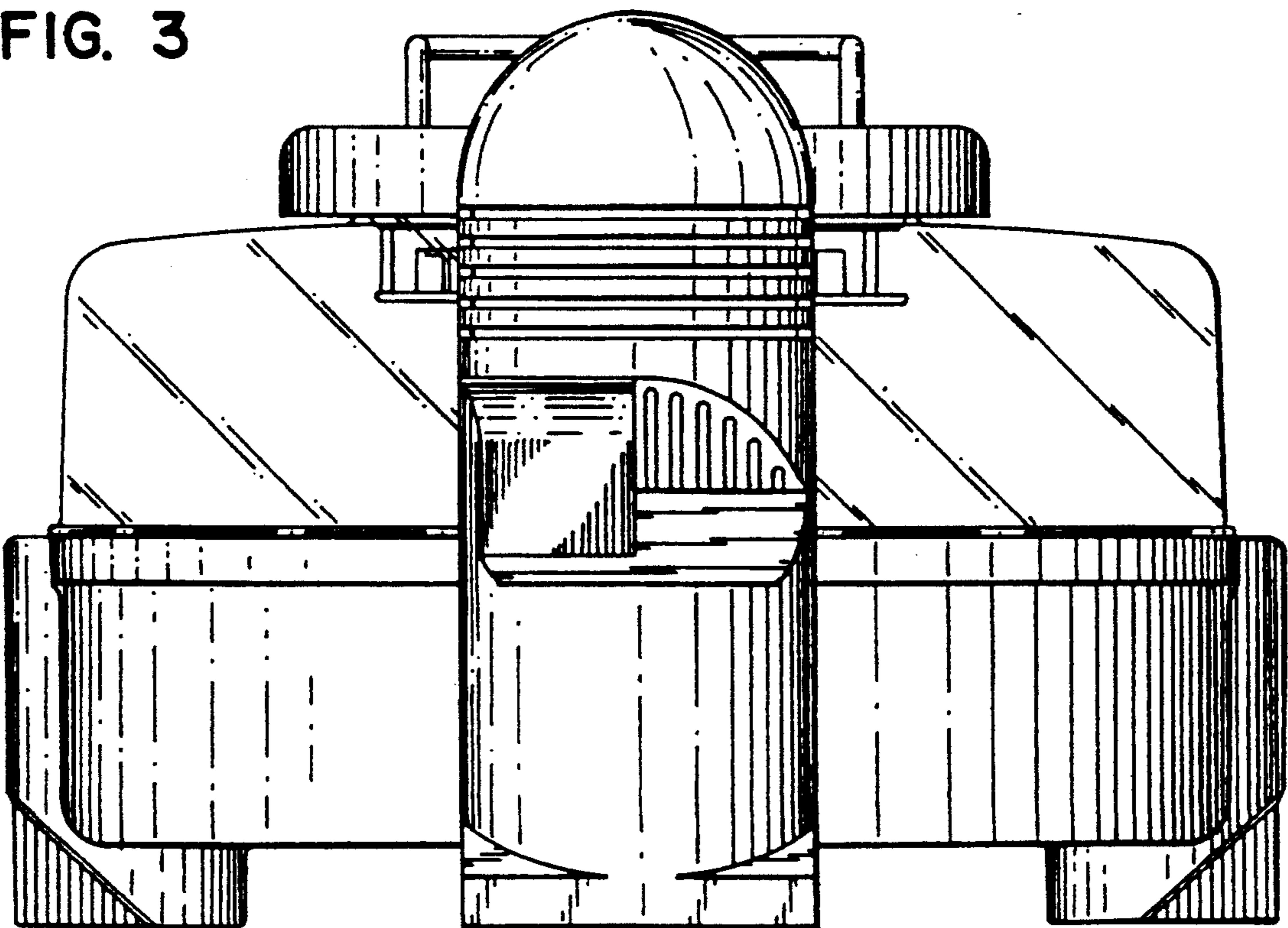


FIG. 3



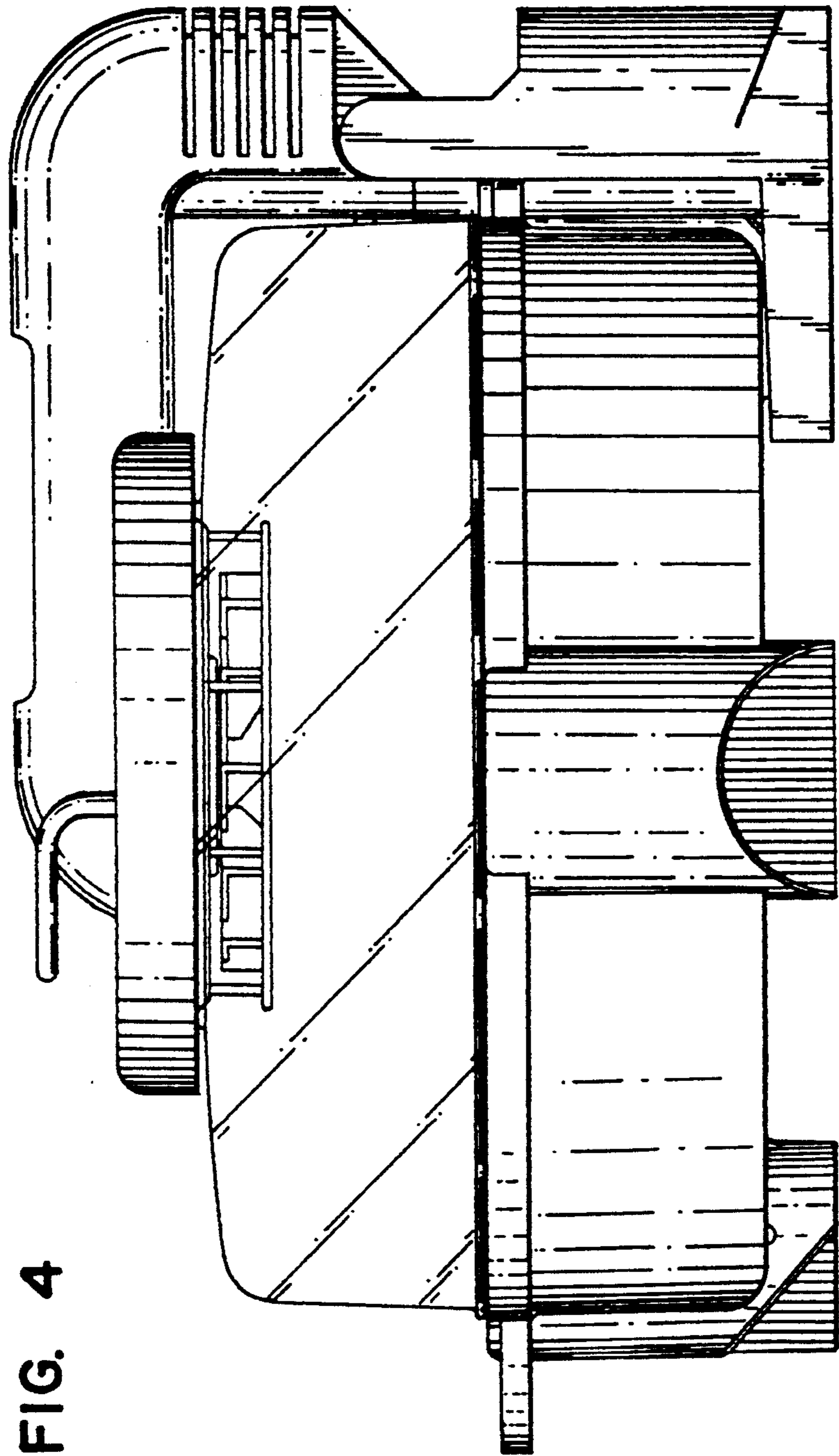
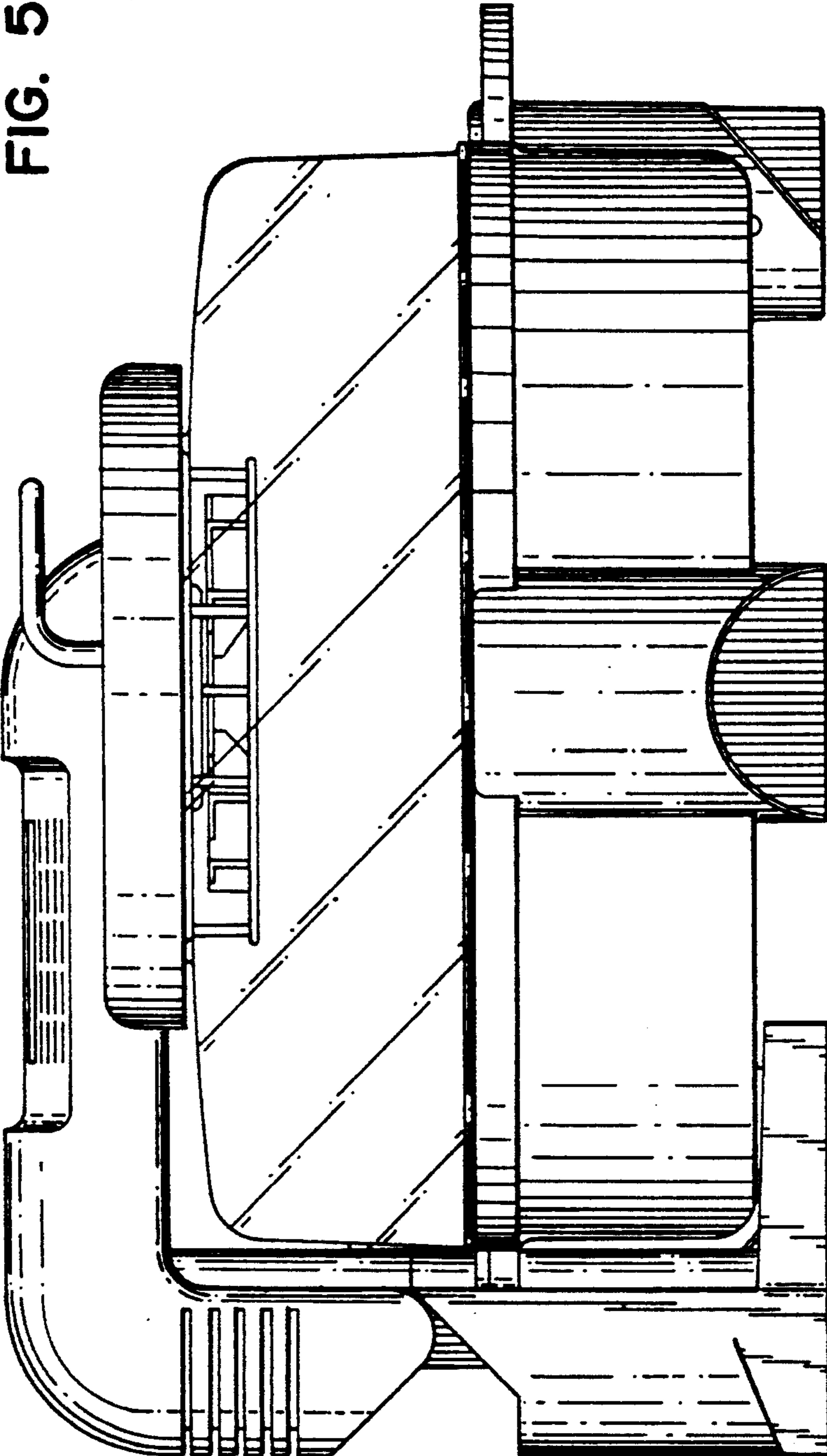


FIG. 5



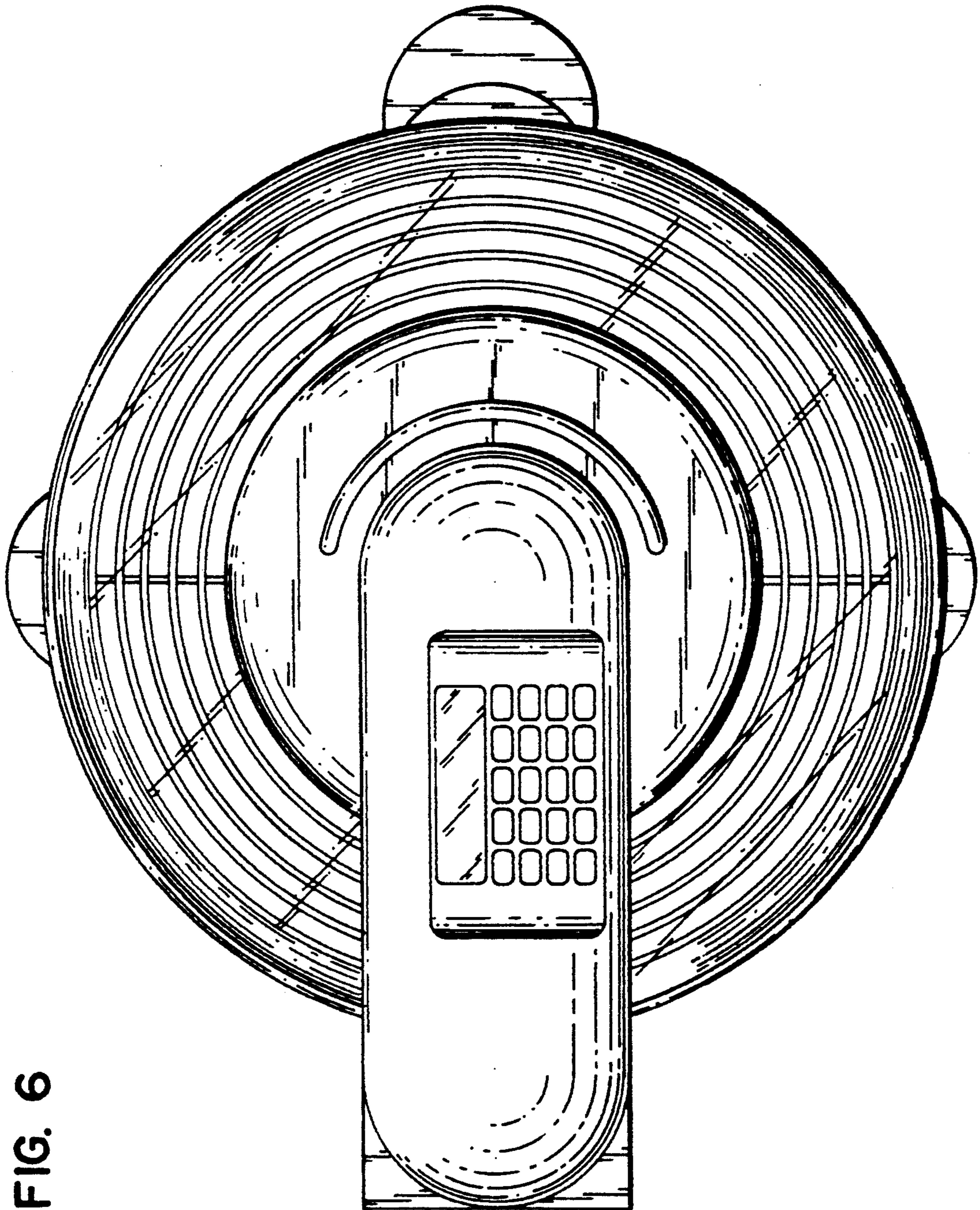


FIG. 6

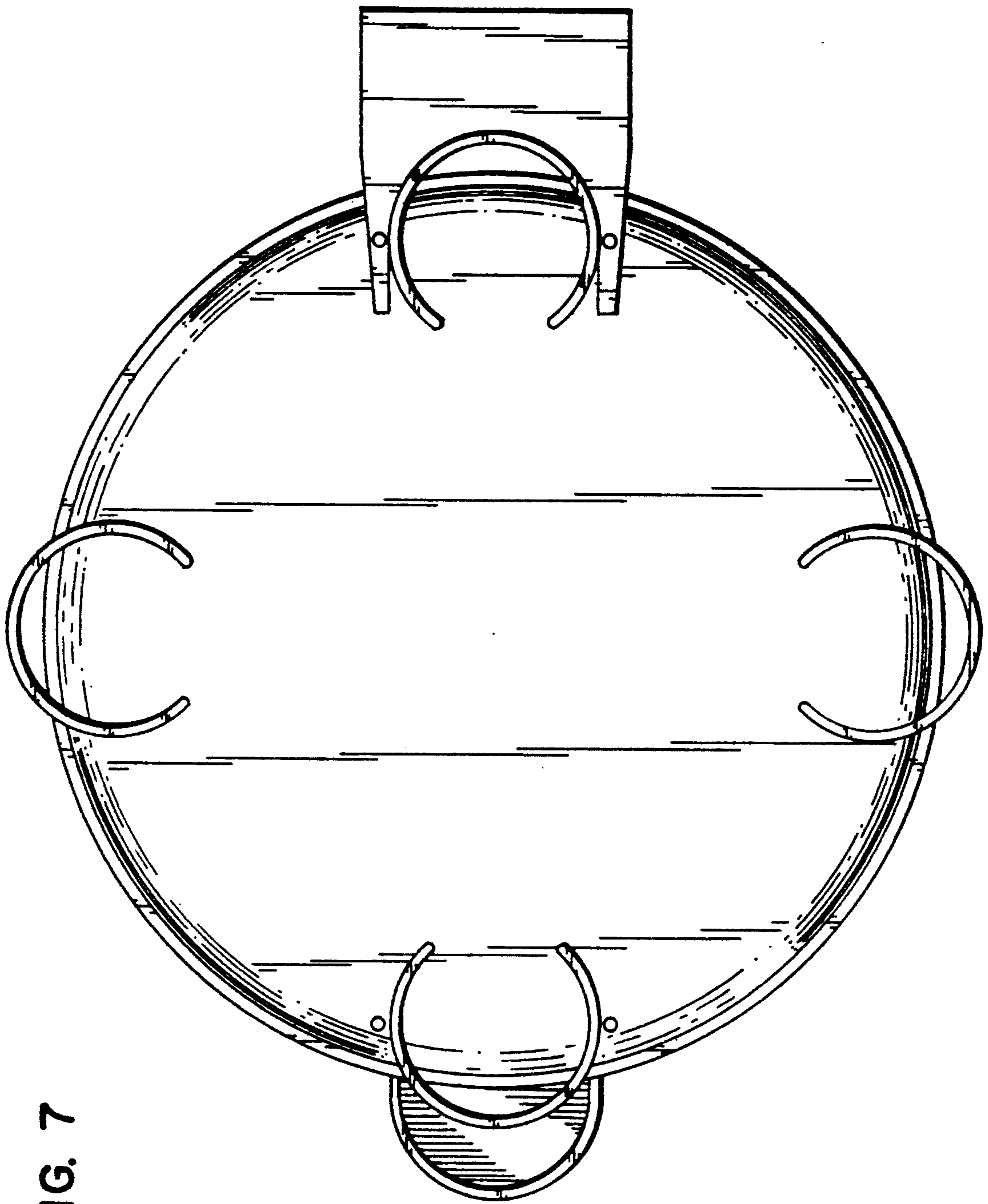


FIG. 7