



US00D347139S

# United States Patent [19]

[11] Patent Number: **Des. 347,139**

Ancona et al.

[45] Date of Patent: **\*\* May 24, 1994**

[54] **KETTLE**

D. 333,587	3/1993	Ancona et al. ....	D7/301 X
D. 333,976	3/1993	Gozzini .....	D9/310
D. 338,589	8/1993	Ancona et al. ....	D7/301 X

[76] Inventors: **Bruce Ancona; Jane Ancona**, both of 21 E. 22nd St., Apt. 6K, New York, N.Y. 10010

### OTHER PUBLICATIONS

[\*\*] Term: **14 Years**

Bear Nursery Bottle with Chimes, Hong Kong Enterprise, Apr. 1983, p. 223.

[21] Appl. No.: **7,759**

Jolly Bear Cup, Gifts and Decorative Accessories, p. 33, Sep. 1984.

[22] Filed: **Apr. 30, 1993**

*Primary Examiner*—Alan P. Douglas

[52] U.S. Cl. .... **D7/302; D7/322; D7/301**

*Assistant Examiner*—M. N. Pandozzi

[58] Field of Search ..... **D7/515, 518, 539, 544, D7/559, 301, 302, 312, 316, 317, 598, 599, 600, 604, 606, 613, 516, 322; D9/310, 307, 329, 335, 318**

*Attorney, Agent, or Firm*—James A. Drobile; Robert A. Koons, Jr.; Lois A. Gianneschi

### [57] CLAIM

The ornamental design for a kettle, as shown.

### [56] References Cited

### DESCRIPTION

#### U.S. PATENT DOCUMENTS

D. 179,164	11/1956	Starnes .....	D7/613
D. 196,615	10/1963	Treude .....	D9/318
D. 256,989	9/1980	Kirchen .....	D9/318
D. 277,069	1/1985	Ostergard .....	D7/606 X
D. 308,315	6/1991	Ancona et al. ....	D7/312 X
D. 317,623	6/1991	Piechocki .....	D9/310 X

FIG. 1 is a perspective view of a kettle showing our new design;

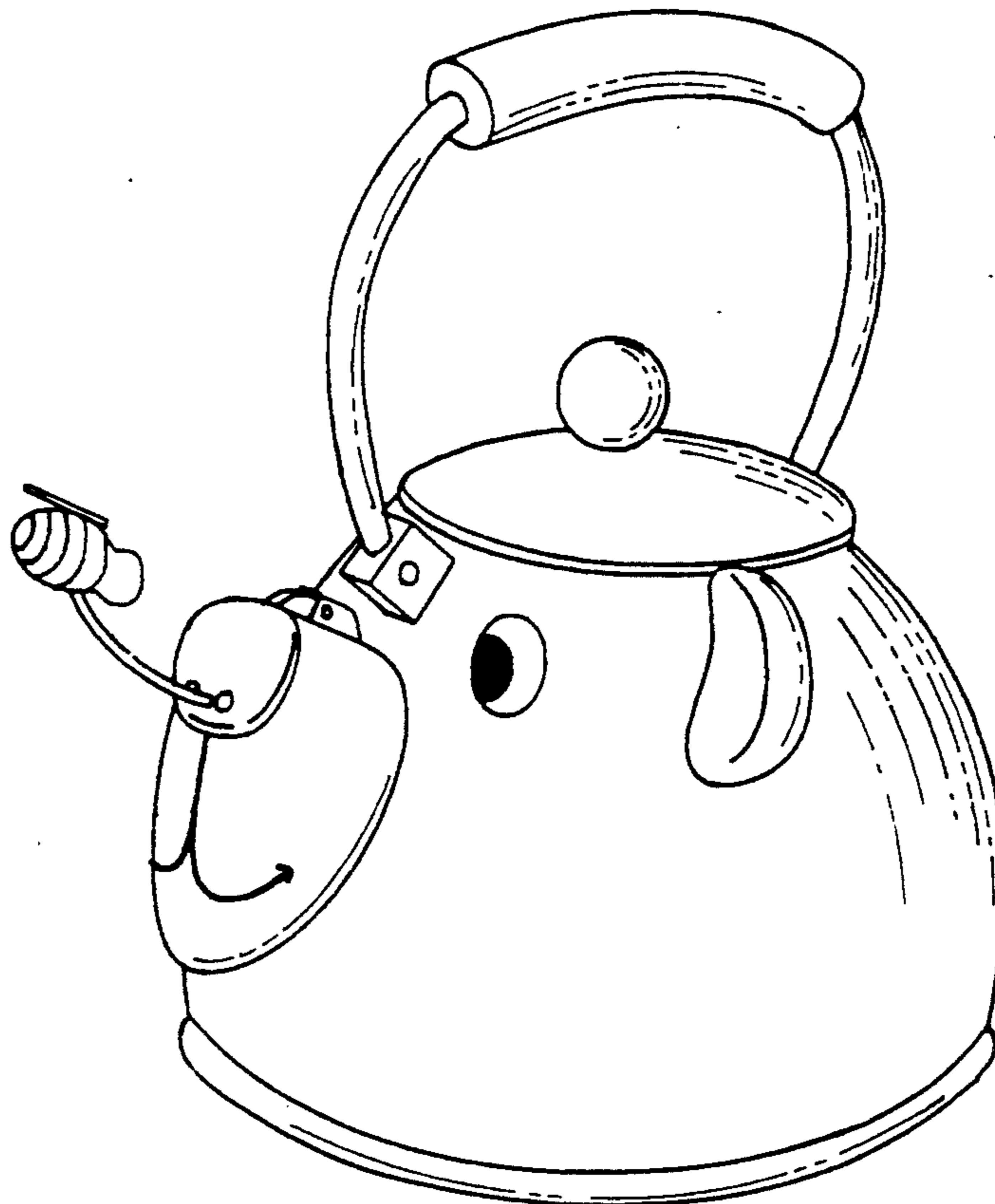
FIG. 2 is a front elevational view thereof;

FIG. 3 is a rear elevational view thereof;

FIG. 4 is the top plan view thereof;

FIG. 5 is the bottom plan view thereof; and,

FIG. 6 is a right side elevational view thereof.



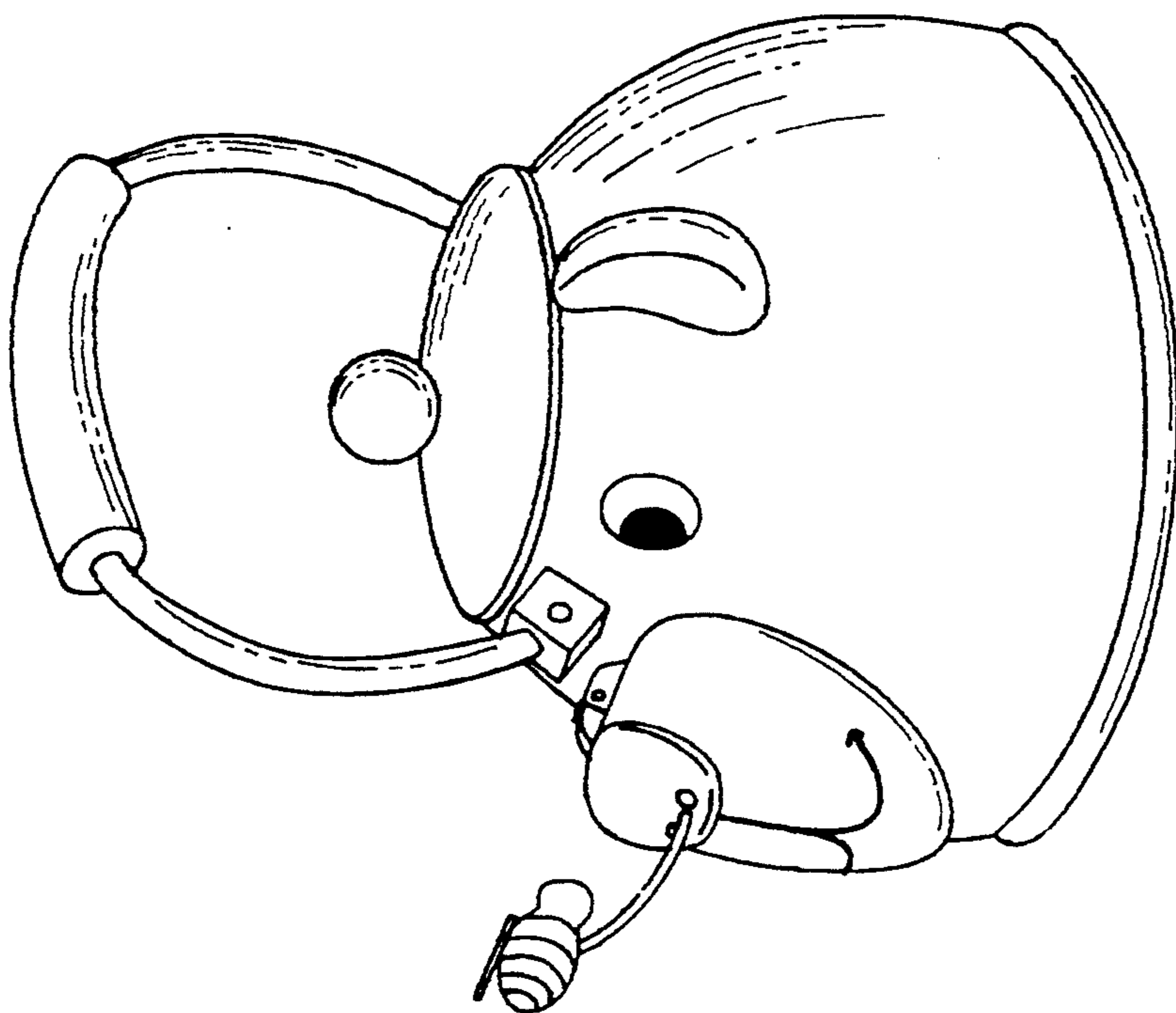


FIG. 1

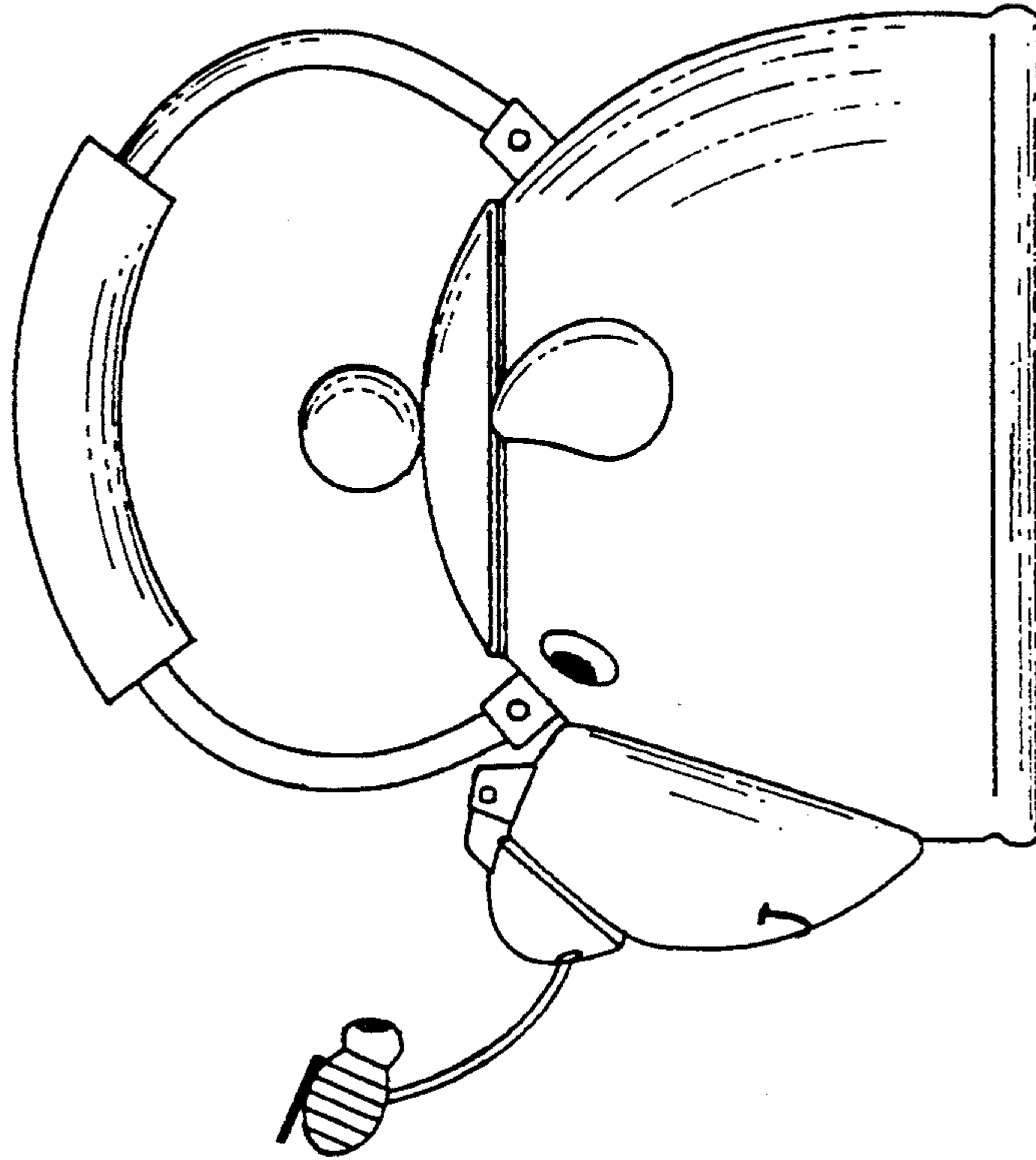


FIG. 6

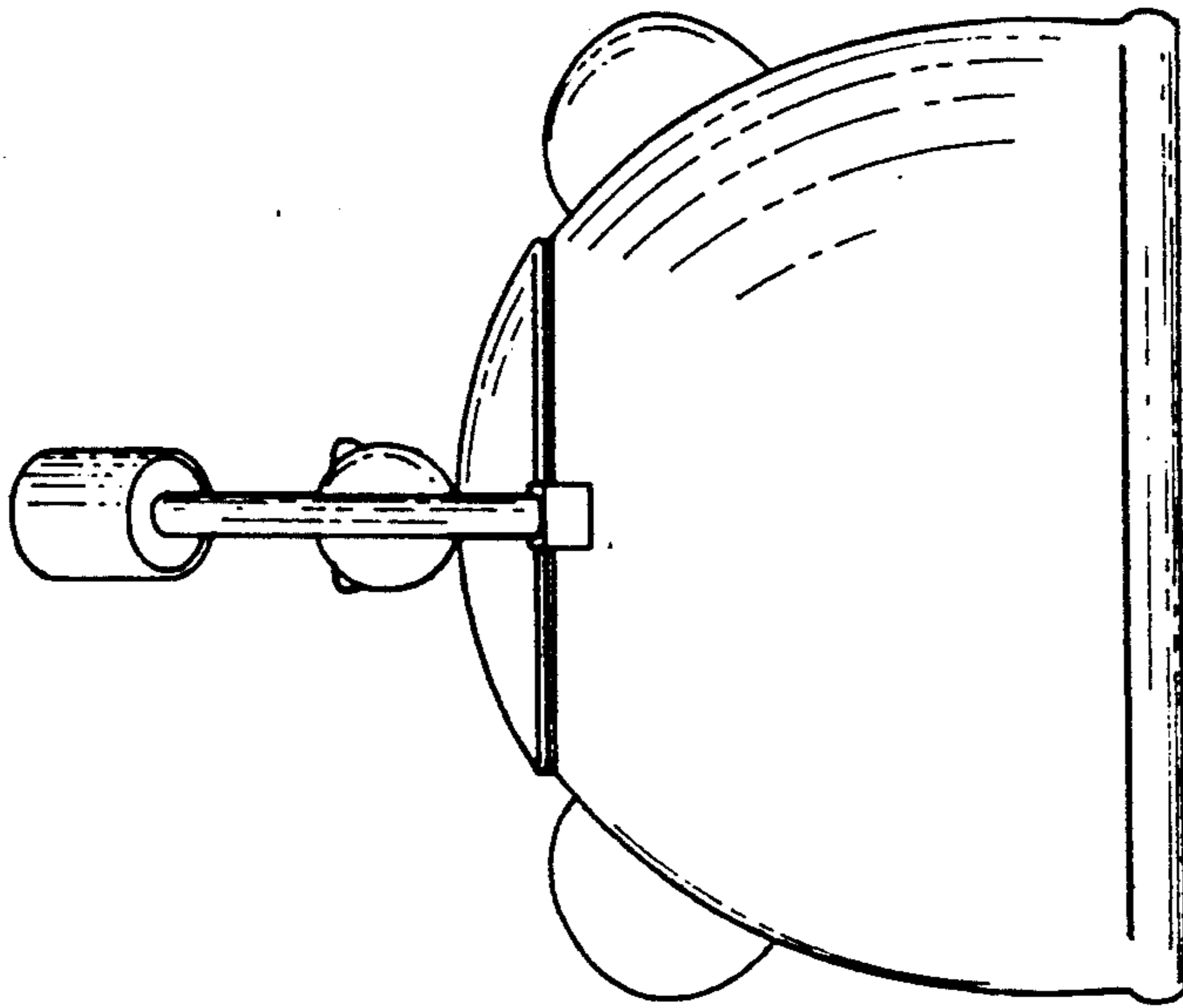


FIG. 3

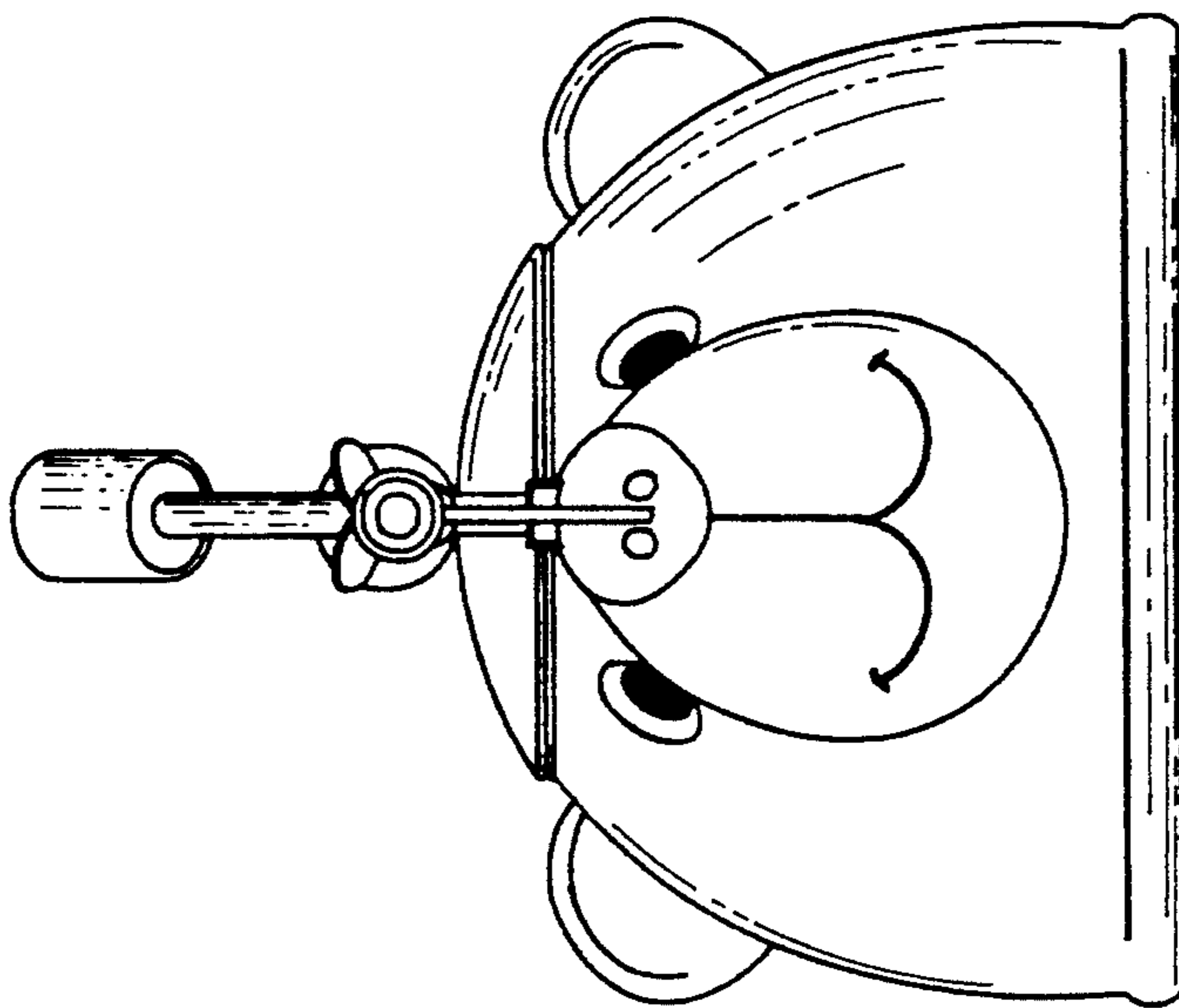


FIG. 2

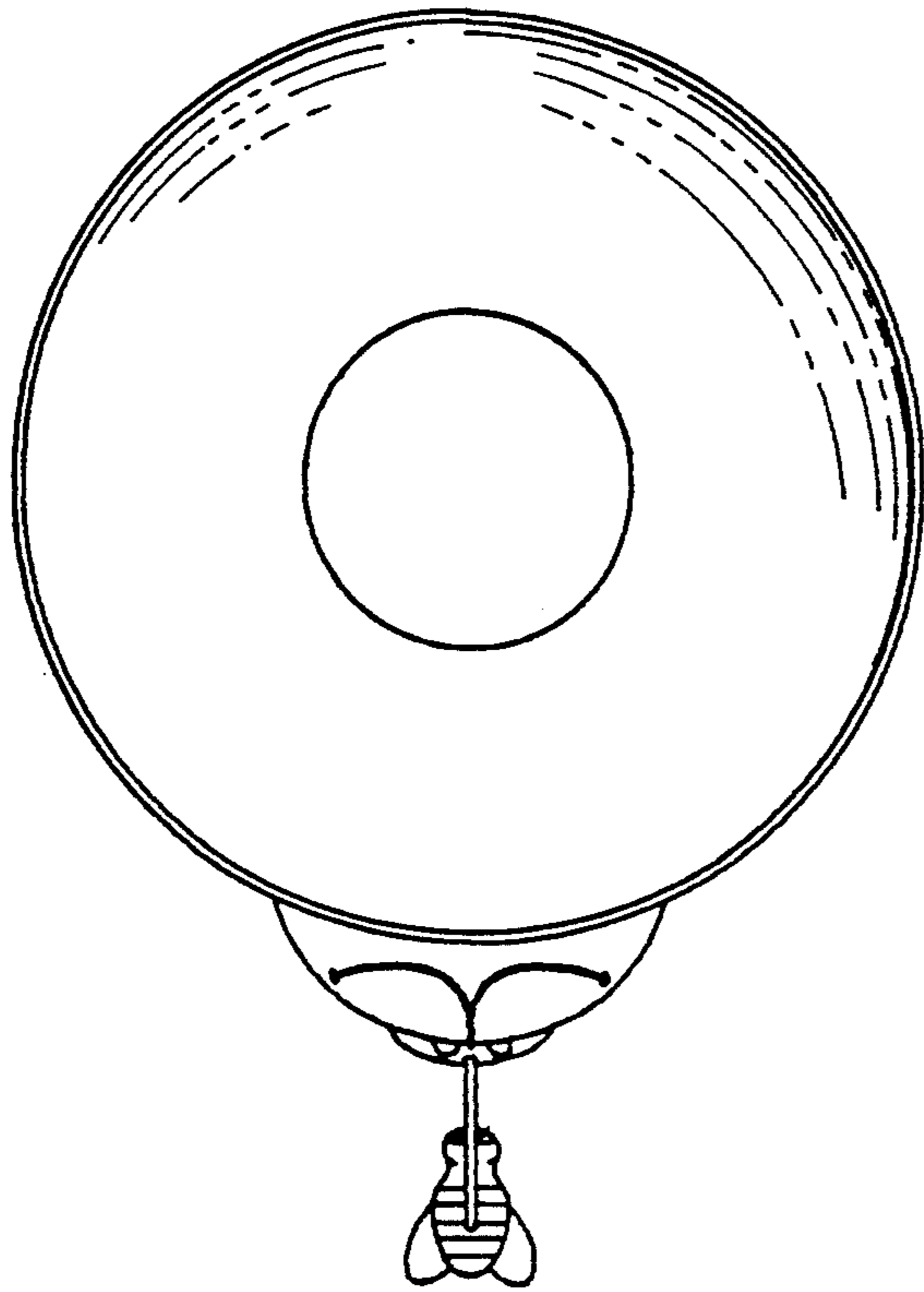


FIG. 5

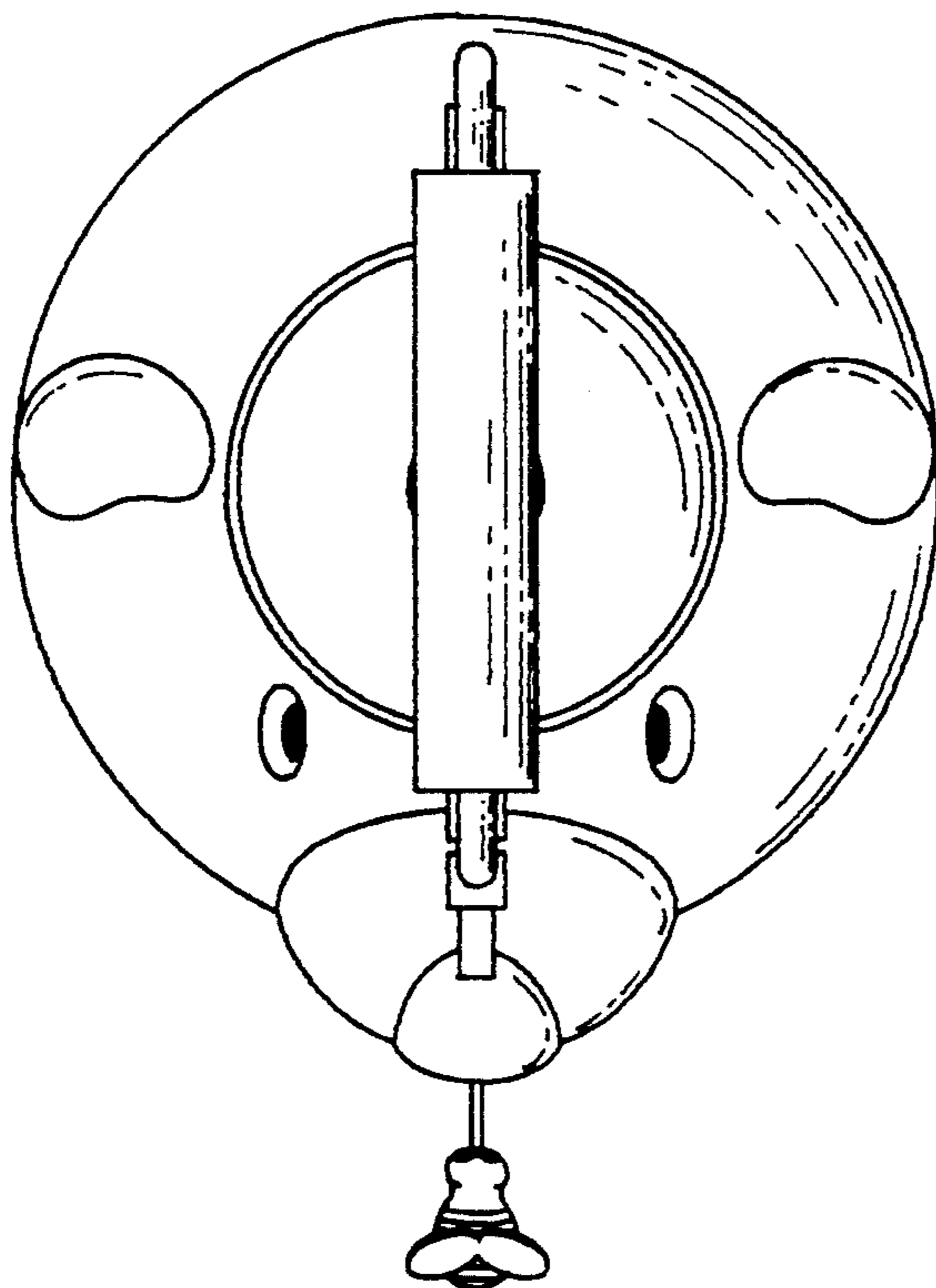


FIG. 4