



US00D347135S

# United States Patent [19]

Morand

[11] Patent Number: **Des. 347,135**

[45] Date of Patent: **\*\* May 24, 1994**

[54] **PAPER TOWEL DISPENSER HOUSING**

[75] Inventor: **Michel Morand, Montreal, Canada**

[73] Assignee: **Wyant & Company Limited, Lachine, Canada**

[\*\*] Term: **14 Years**

[21] Appl. No.: **3,246**

[22] Filed: **Jan. 4, 1993**

[52] U.S. Cl. .... **D6/522**

[58] Field of Search ..... **D6/518, 520, 522-523; 211/49.1, 87; 242/55.53, 55.2; 312/34.1, 34.8**

[56] **References Cited**

**U.S. PATENT DOCUMENTS**

D. 286,236	10/1986	Collins	.....	D6/522
D. 306,384	3/1990	Morand	.....	D6/522
D. 339,705	9/1993	Howard et al.	.....	D6/522
1,953,349	4/1934	Jarvis	.	

2,943,777	7/1960	Dvoracek	.
3,494,518	2/1970	Goss	.
3,603,519	9/1971	Brown	.
4,804,149	12/1989	Murphy	..... 242/55.53

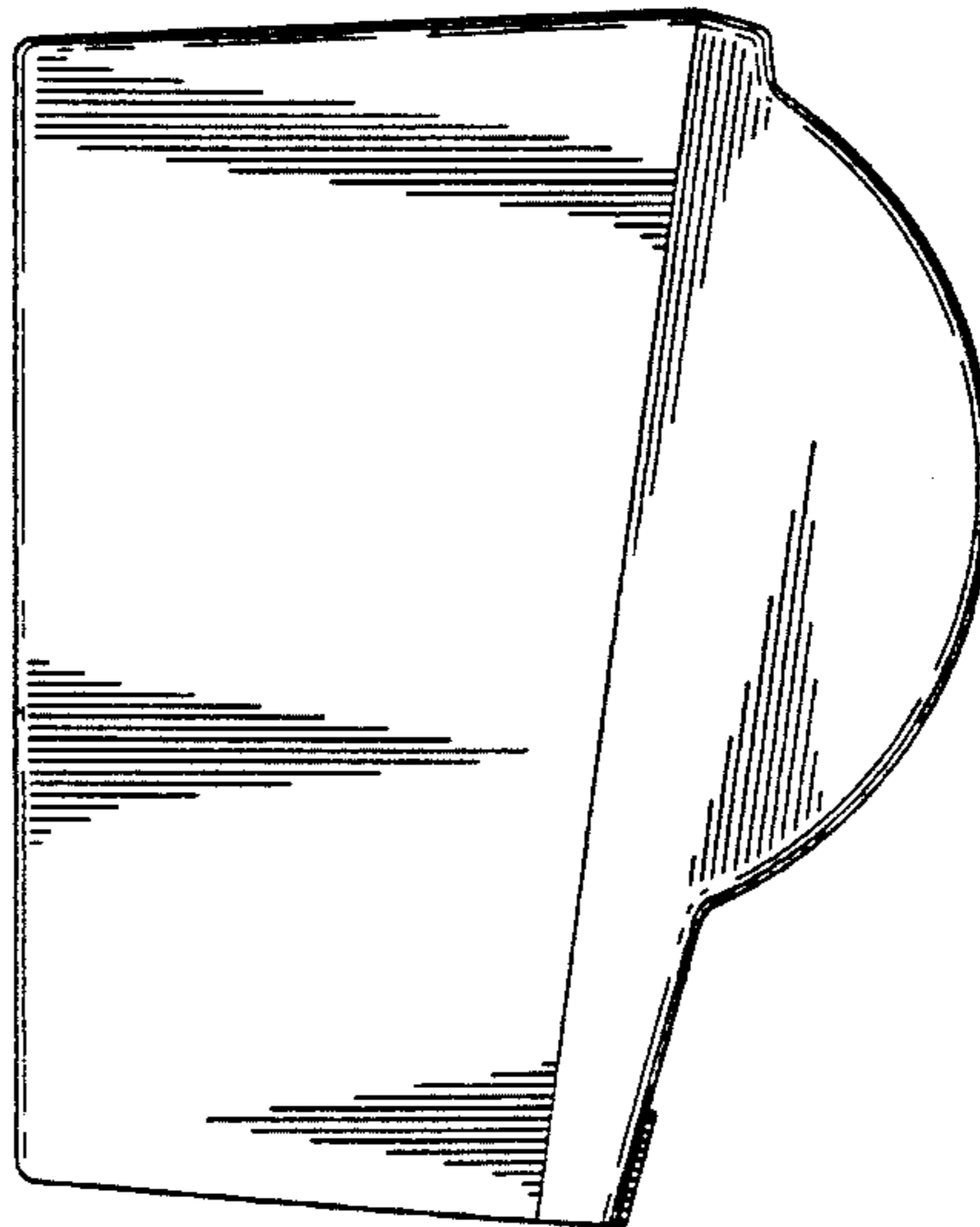
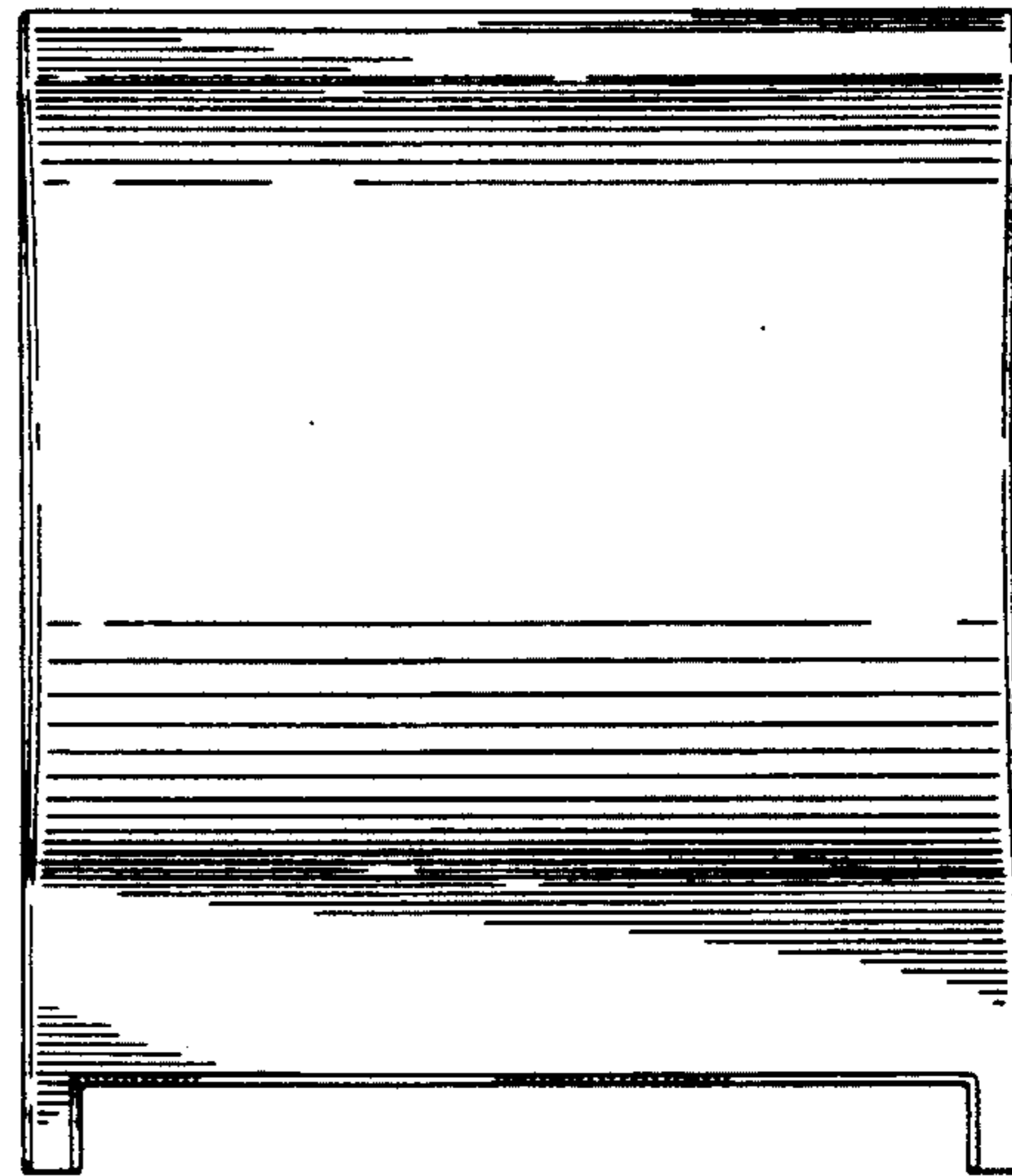
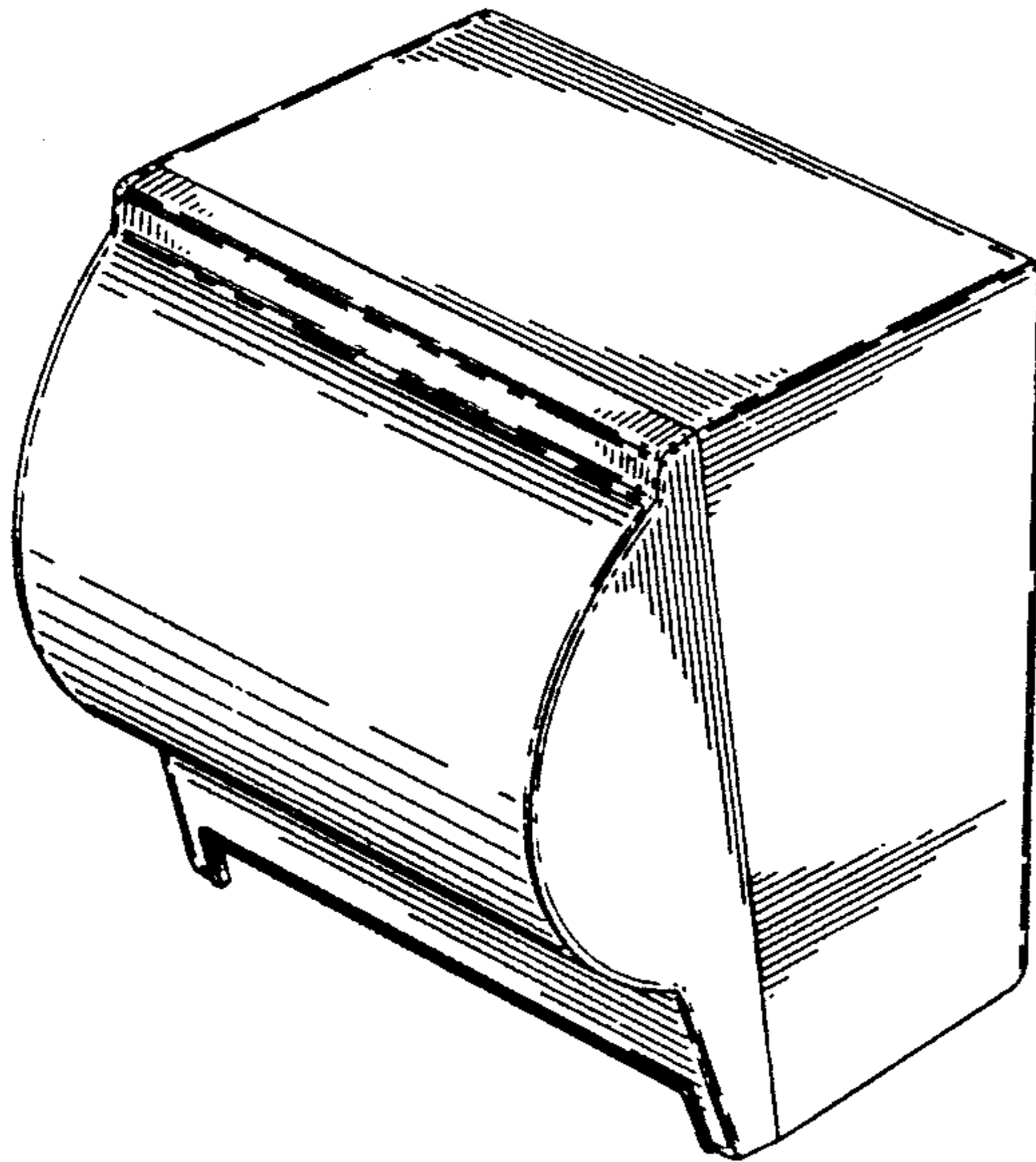
*Primary Examiner*—Brian N. Vinson  
*Attorney, Agent, or Firm*—Larson and Taylor

[57] **CLAIM**

The ornamental design for a paper towel dispenser housing, as shown and described.

**DESCRIPTION**

FIG. 1 is a top, front, and right side perspective view of a paper towel dispenser housing showing my new design;  
FIG. 2 is a top plan view thereof;  
FIG. 3 is a front elevational view thereof;  
FIG. 4 is a left side elevational view thereof, the right side being a mirror image of that shown;  
FIG. 5 is a rear elevational view thereof; and,  
FIG. 6 is a bottom plan view thereof.



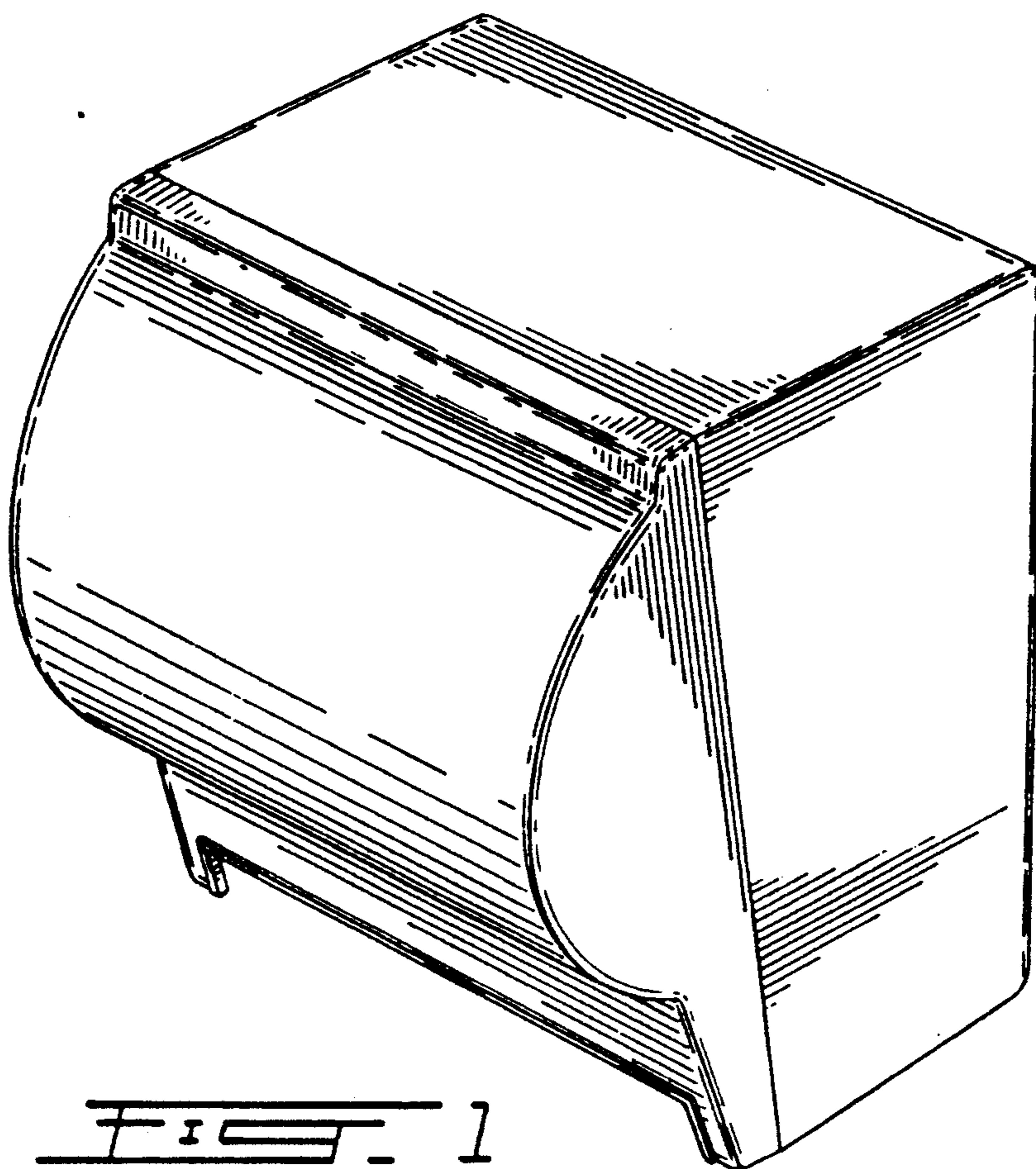


FIG. 1

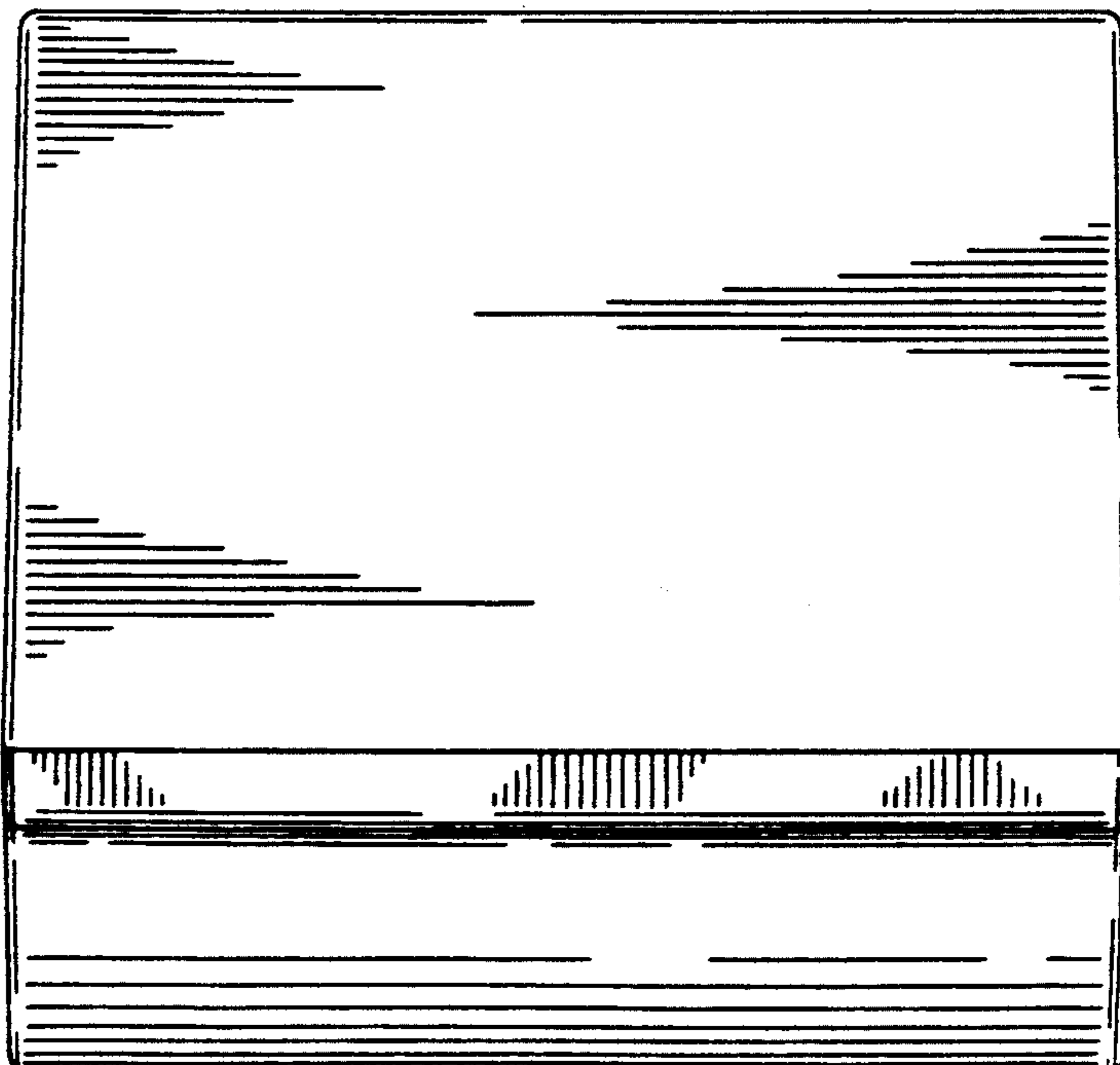


FIG. 2

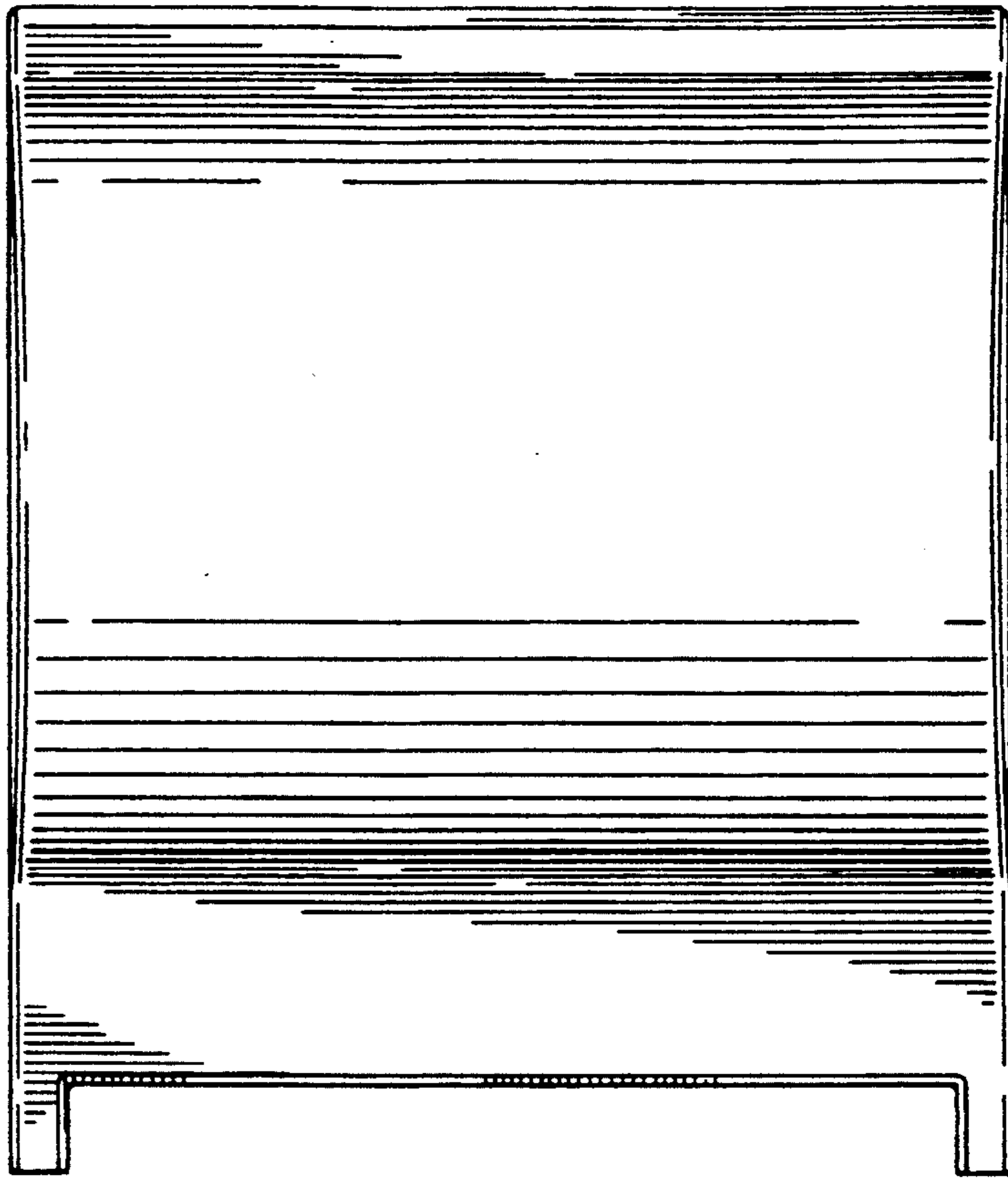


FIG. 3

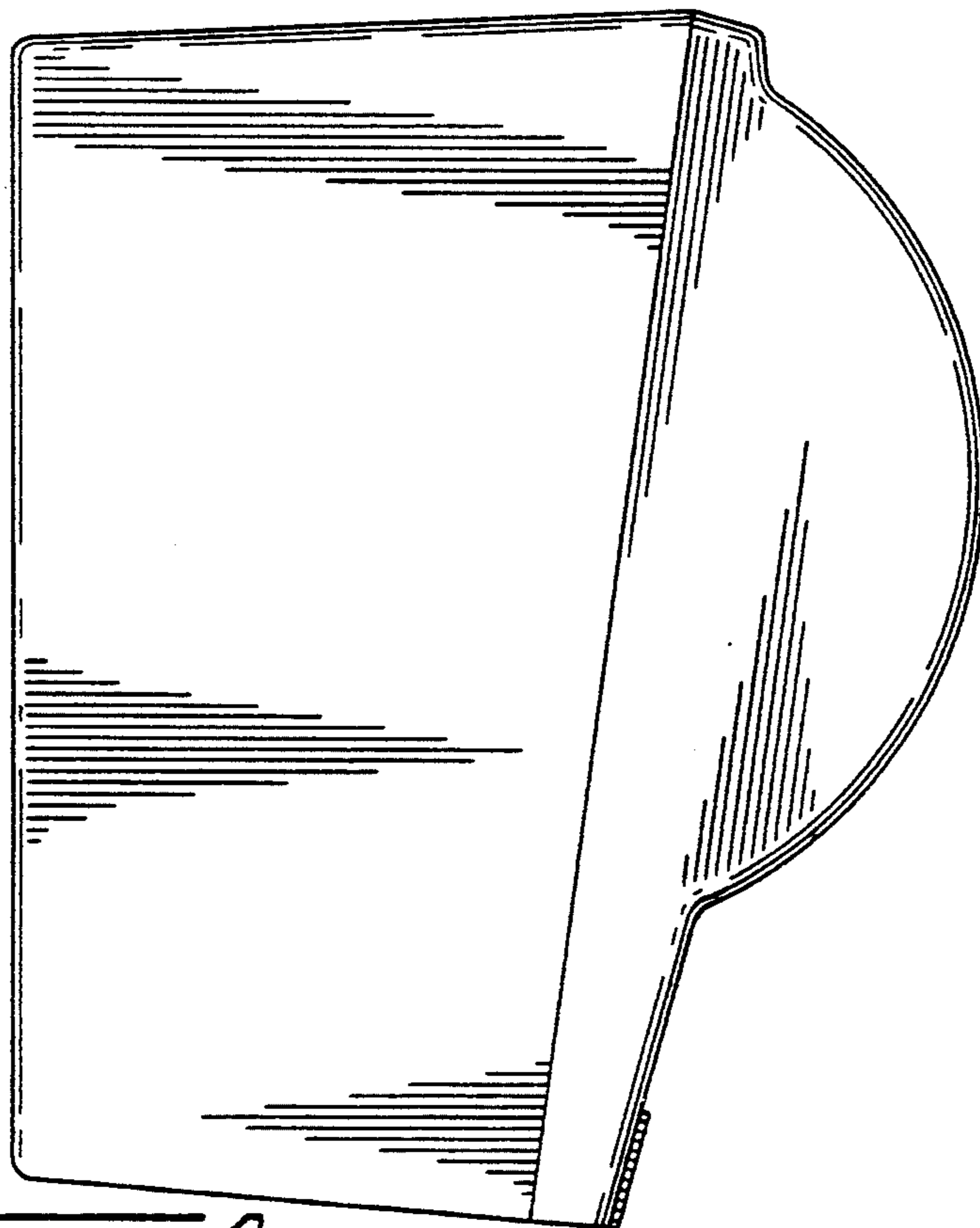


FIG. 4

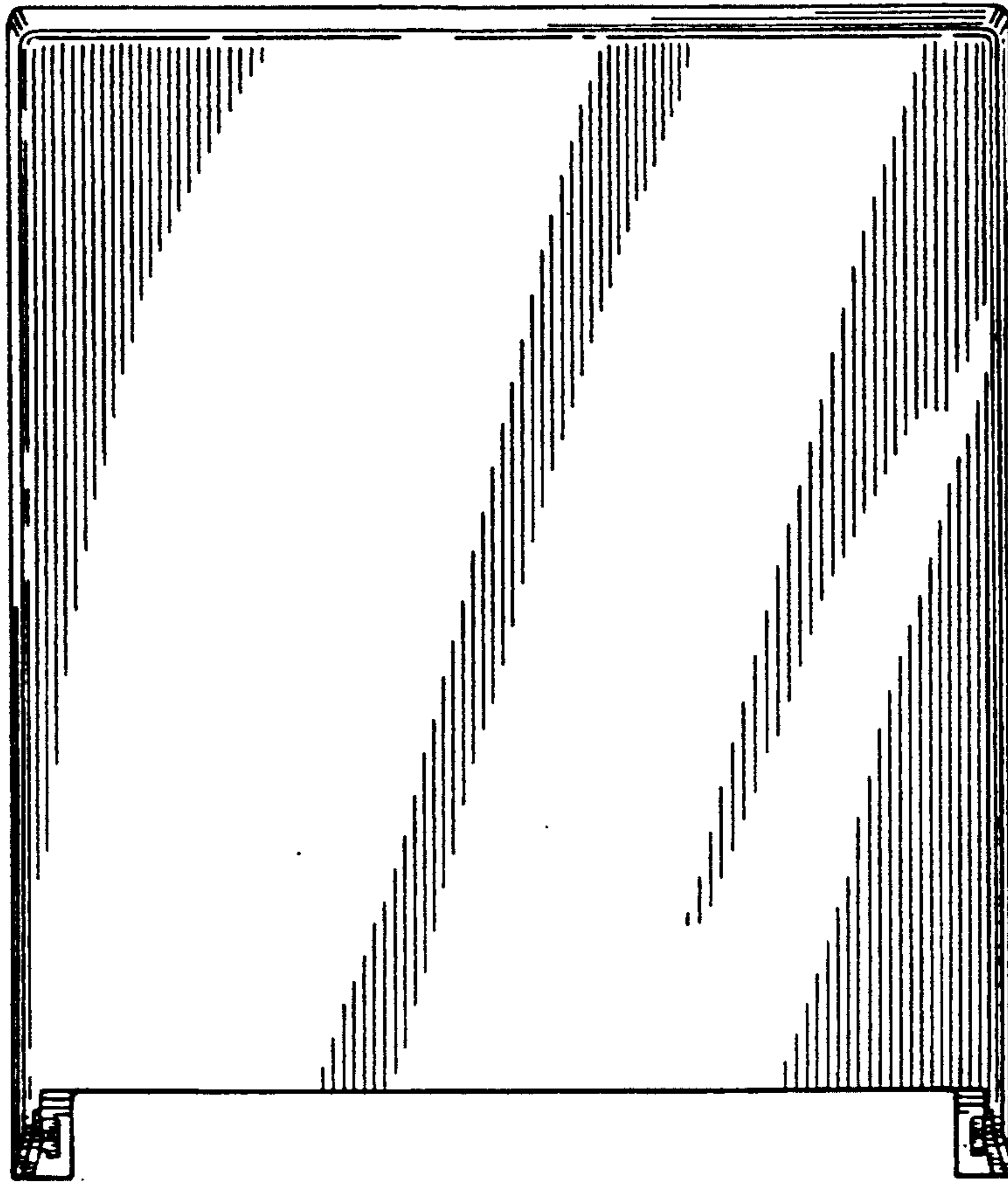


FIG. 5

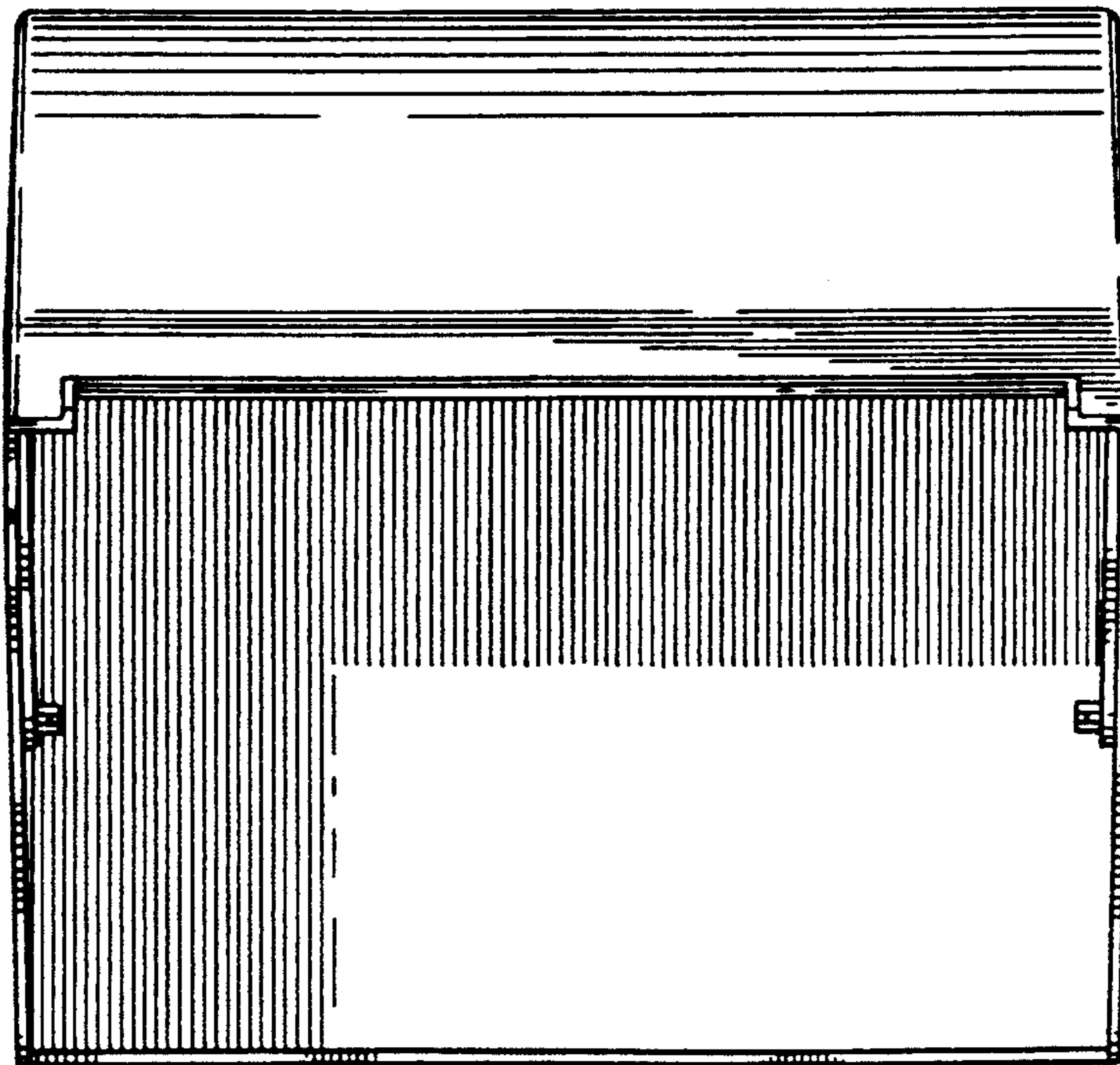


FIG. 6