



US00D347132S

United States Patent [19]

[11] Patent Number: Des. 347,132

Karl

[45] Date of Patent: ** May 24, 1994

[54] TABLE LEG

3,348,879 10/1967 Merola 297/170 X

[76] Inventor: **Richard B. Karl**, 1825 Persimmon Dr., St. Charles, Ill. 60174

Primary Examiner—Nelson C. Holtje
Assistant Examiner—J. E. Seeger
Attorney, Agent, or Firm—John L. Schmitt

[**] Term: **14 Years**

[21] Appl. No.: **952,184**

[57] **CLAIM**

[22] Filed: **Sep. 28, 1992**

The ornamental design for table leg, as shown and described.

[52] U.S. Cl. **D6/499; D6/491**

[58] Field of Search **D6/335-340, D6/342, 495, 499, 491, 500; 297/135, 136, 148, 153, 156-158, 170, 171, 174**

DESCRIPTION

[56] **References Cited**

U.S. PATENT DOCUMENTS

- D. 282,608 2/1986 Crowe D6/500 X
- D. 327,779 7/1992 Jensen et al. D6/337
- D. 338,119 8/1993 Merrick D6/491 X

FIG. 1 is a top plan view of a table leg, showing my new design;
FIG. 2 is a side elevational view, the opposite side being a mirror image thereof;
FIG. 3 is a front elevational view; and,
FIG. 4 is a perspective view thereof.
The broken lines in FIGS. 1-4 are for environmental purposes only and form no part of the claimed design.

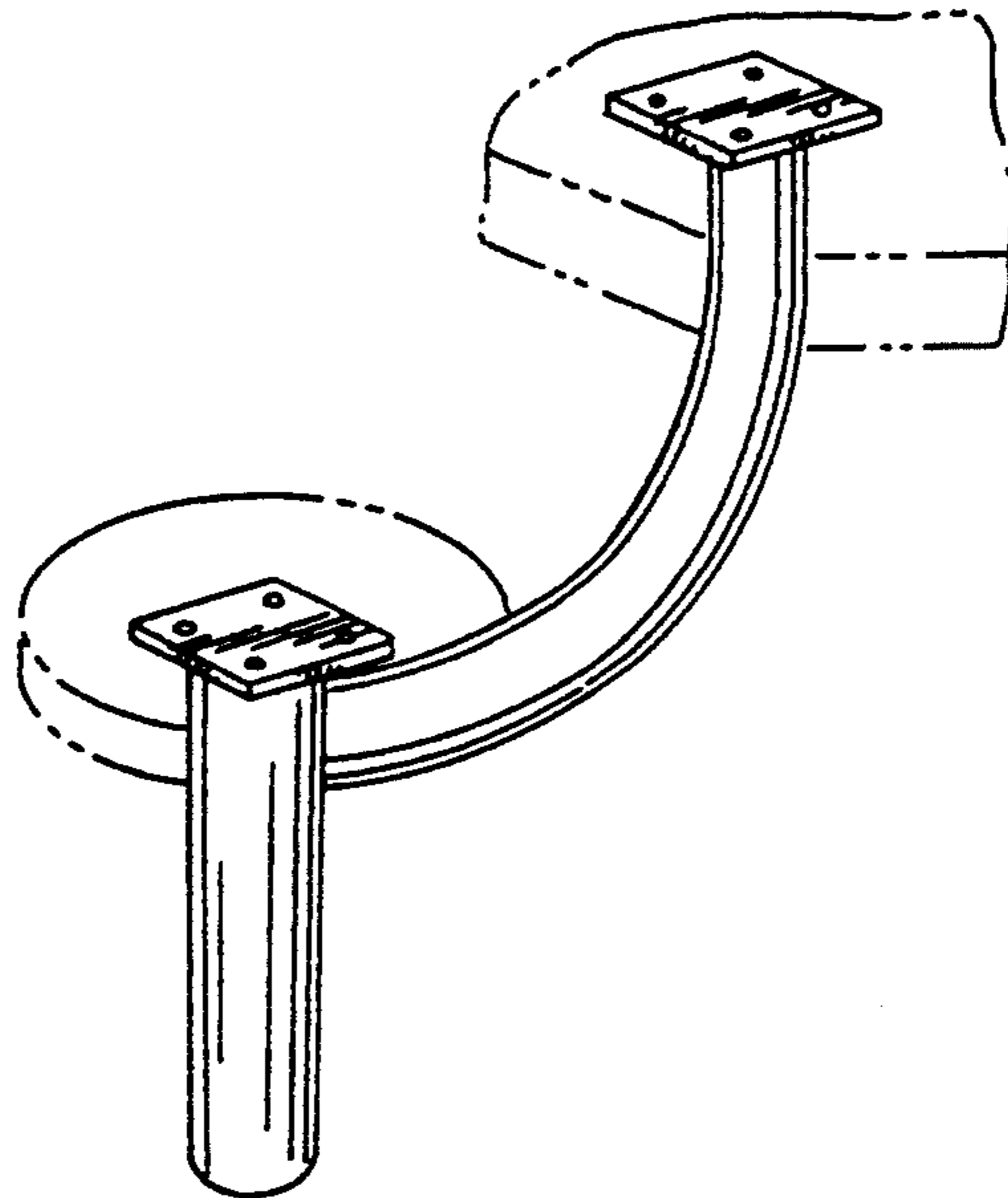


FIG. 1

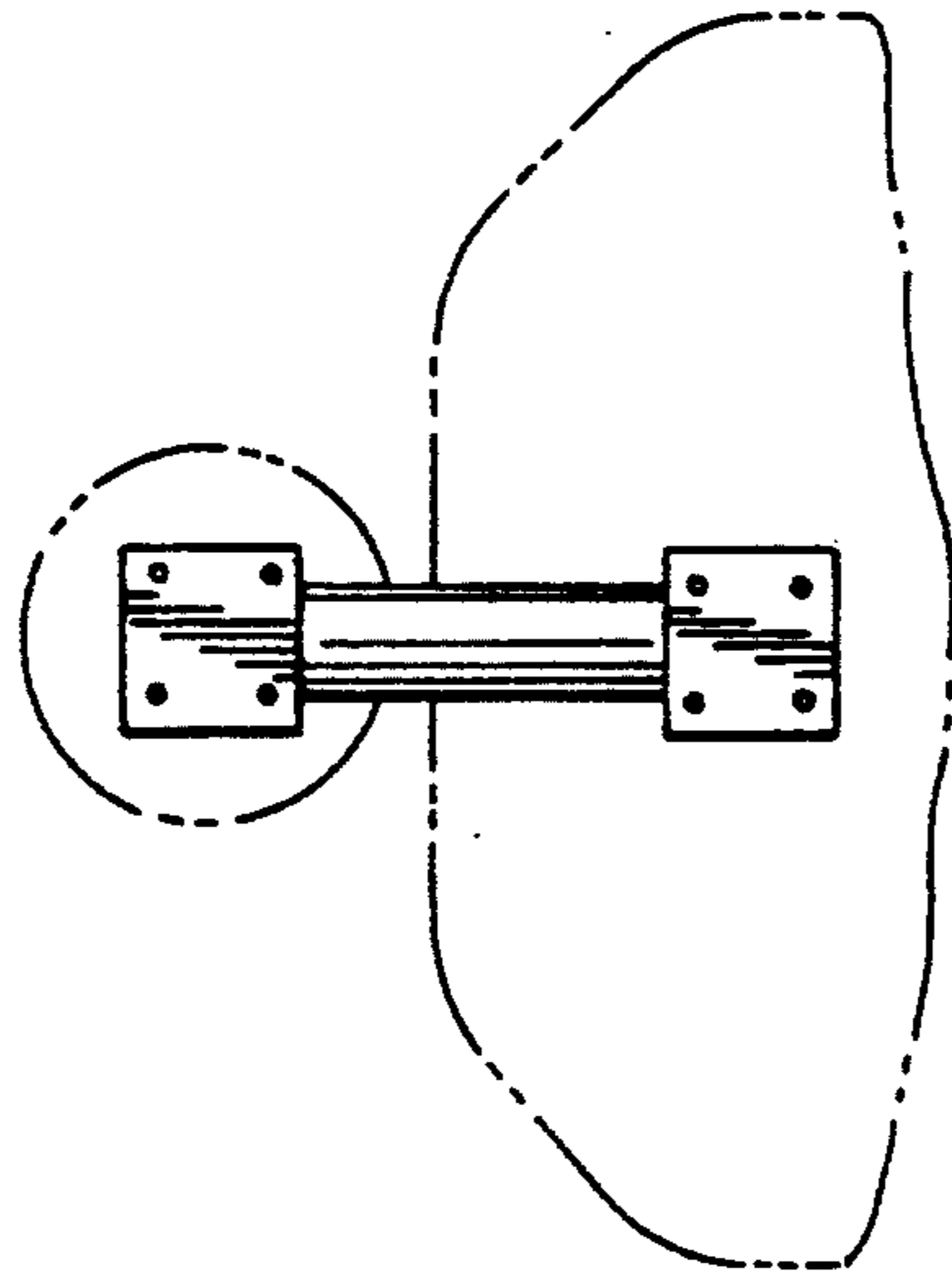


FIG. 2

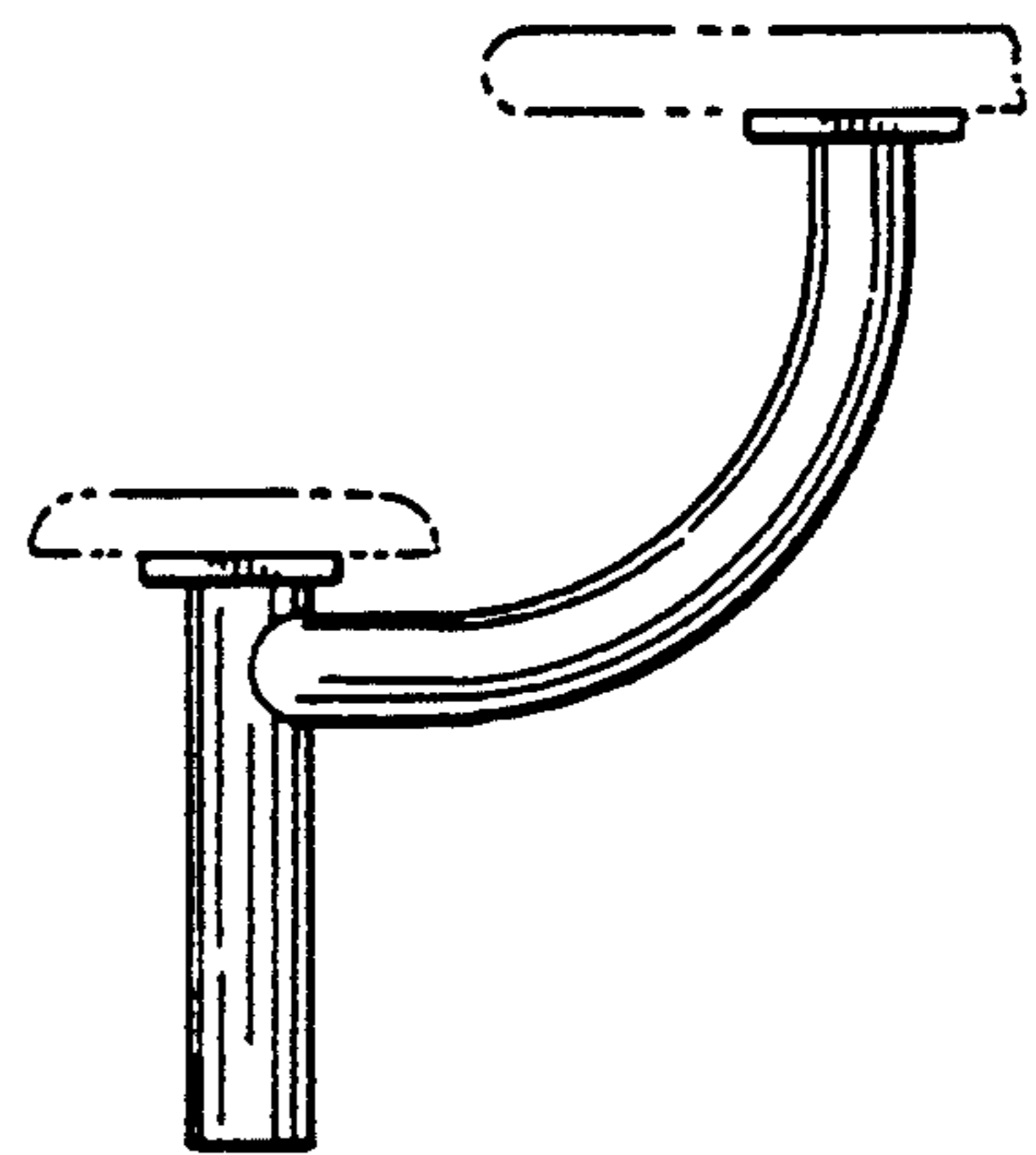


FIG. 3

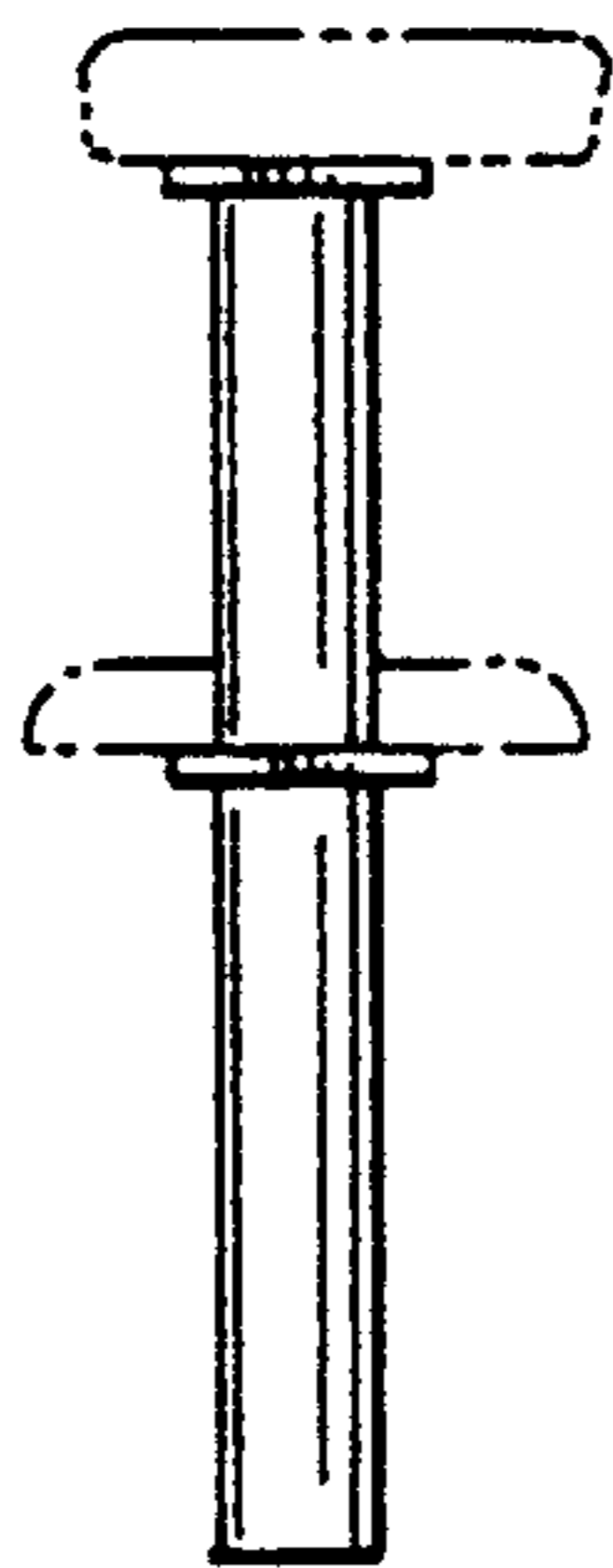


FIG. 4

