



US00D347131S

United States Patent [19]

[11] Patent Number: Des. 347,131

Wolff

[45] Date of Patent: ** May 24, 1994

[54] BOOKCASE

[75] Inventor: Stacy L. Wolff, Akron, Ohio

[73] Assignee: Rubbermaid Incorporated, Wooster, Ohio

[**] Term: 14 Years

[21] Appl. No.: 3,197

[22] Filed: Jan. 5, 1993

[52] U.S. Cl. D6/479

[58] Field of Search D6/477-479,
D6/449, 474, 468, 465; 108/106-108, 111, 114;
211/186, 188, 135, 176

[56] References Cited

U.S. PATENT DOCUMENTS

| | | | | |
|------------|---------|----------------|-------|----------|
| D. 245,744 | 9/1977 | Brooks | | D6/186 |
| D. 249,618 | 9/1978 | Oxenhandler | | D6/186 |
| D. 273,353 | 4/1984 | Secon | | D6/479 |
| D. 314,877 | 2/1991 | Bush et al. | | D6/479 |
| D. 329,155 | 9/1992 | Schremmer | | D6/479 |
| D. 330,652 | 11/1992 | Goetz | | D6/479 |
| D. 330,819 | 11/1992 | Dickinson | | D6/479 |
| D. 331,160 | 11/1992 | Brunner | | D6/479 X |
| D. 333,220 | 2/1993 | Brunner et al. | | D6/479 |
| 3,307,505 | 3/1967 | Windross | | 108/111 |
| 3,964,810 | 6/1976 | Murphy | | 312/257 |
| 4,099,472 | 7/1978 | Kellogg | | 108/114 |
| 4,474,416 | 10/1984 | Rogahn | | 312/257 |
| 4,519,511 | 5/1985 | Mendenhall | | 211/187 |
| 4,691,644 | 9/1987 | Frydman | | 108/111 |
| 4,706,576 | 11/1987 | James | | 108/111 |
| 4,967,916 | 11/1990 | Handler et al. | | 211/187 |
| 5,158,187 | 10/1992 | Taub | | 211/186 |

OTHER PUBLICATIONS

Catalog page, Shelving; Potomac Engineering Corp., 919 North Michigan Ave., Chicago, Ill. 60611, publication date-1991.

Catalog page, Bookcase; The Little Tikes Company, 2180 Barlow Road, Hudson, Ohio 44236, publication date-1990.

Equipto Catalog p. 11 Item No. 1153.

Primary Examiner—Nelson C. Holtje

Assistant Examiner—Jeffrey Asch

Attorney, Agent, or Firm—Richard B. O'Planick; Lisa B. Riedesel

[57] CLAIM

The ornamental design for a bookcase, as shown and described.

DESCRIPTION

FIG. 1 is a top left front perspective view of a bookcase showing my new design;

FIG. 2 is a top plan view thereof;

FIG. 3 is a front elevational view thereof;

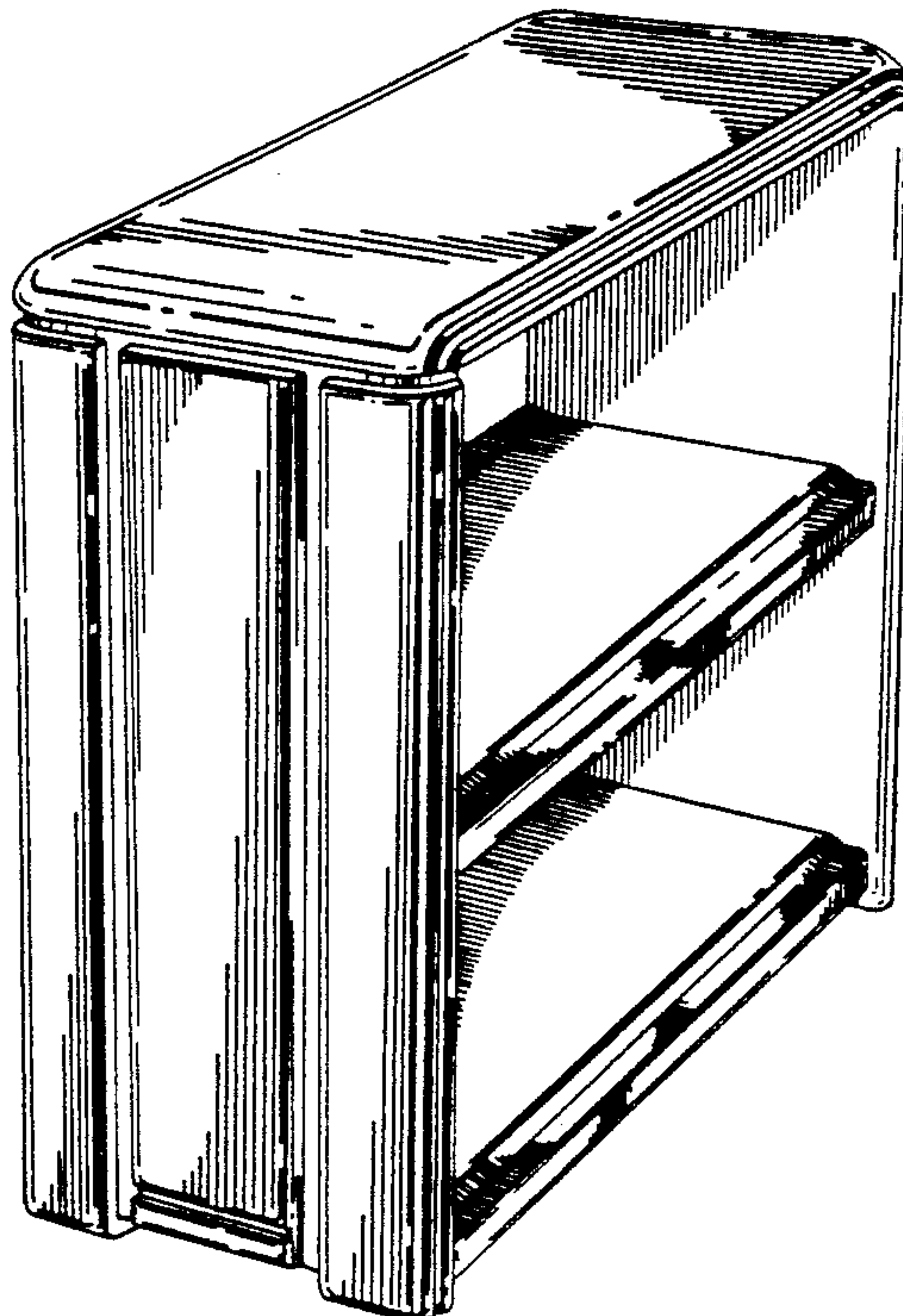
FIG. 4 is a side elevational view thereof; the opposite side being a mirror image;

FIG. 5 is a rear elevational view thereof;

FIG. 6 is a top left front perspective view of a second embodiment of that shown in FIG. 1 the opposite side being a mirror image thereof; and,

FIG. 7 is a top left front perspective view of a third embodiment of that shown in FIG. 1 the opposite side being a mirror image thereof.

The rear surfaces of the second and third embodiments are flat and unornamented in the manner shown by FIG. 5 of the first embodiment.



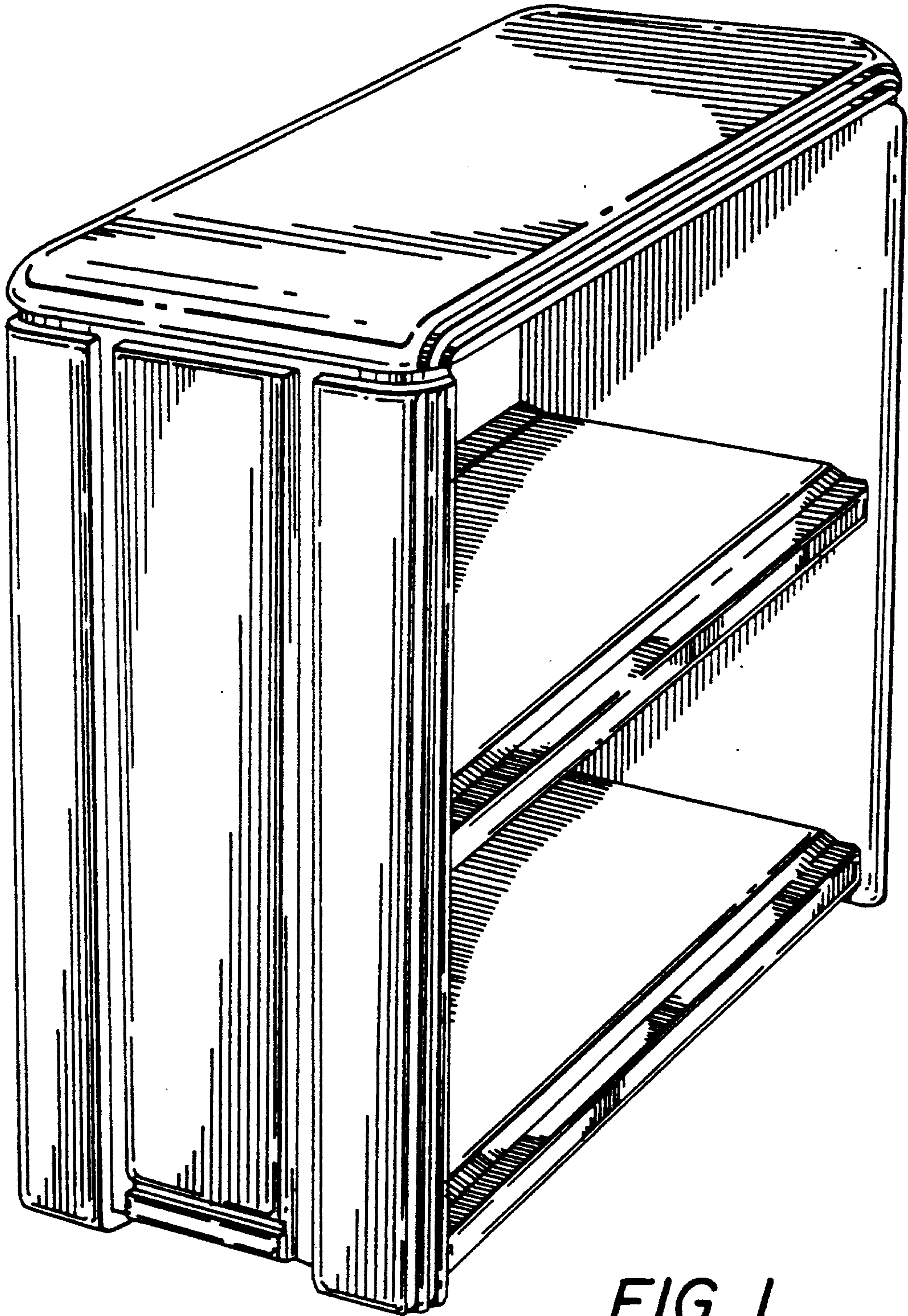


FIG. 1

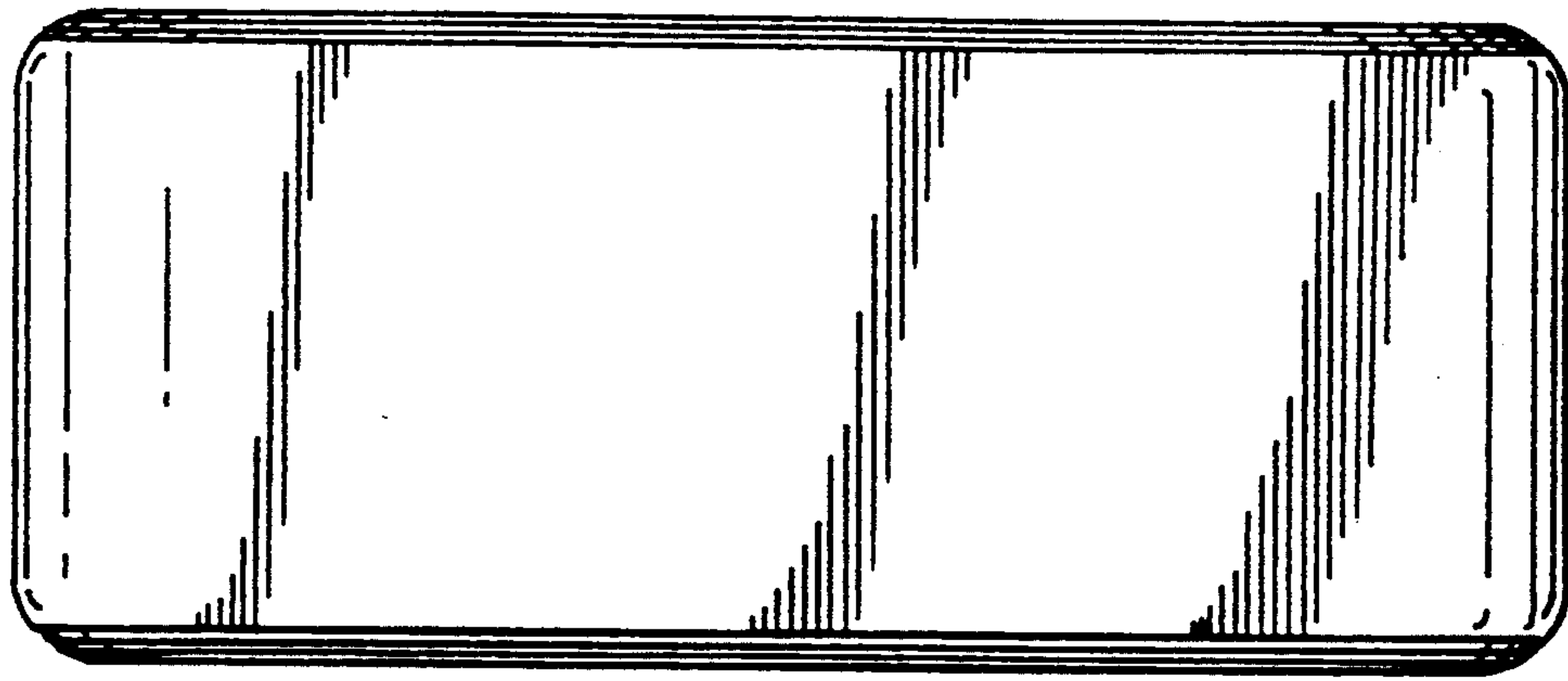


FIG. 2

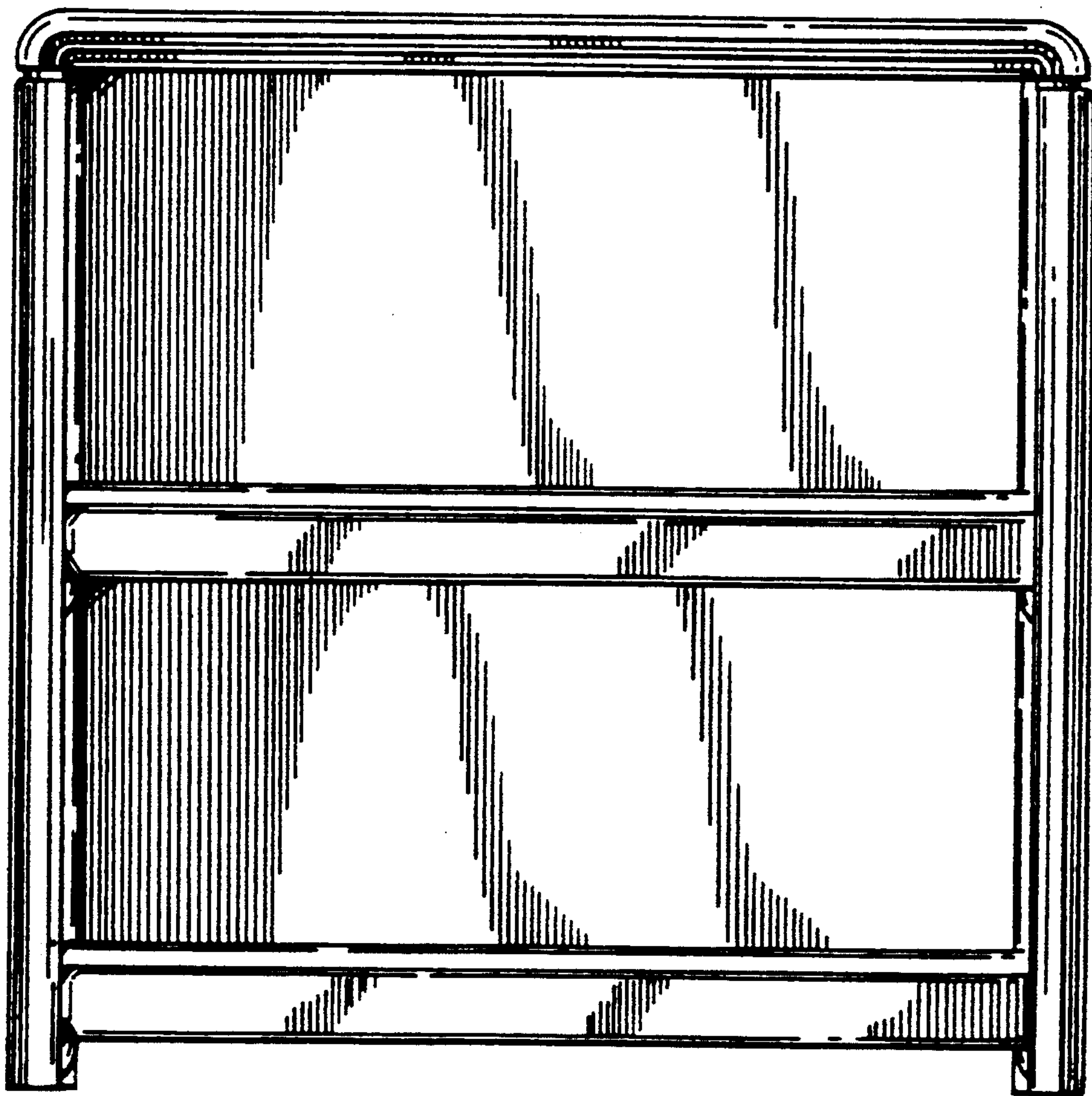


FIG. 3

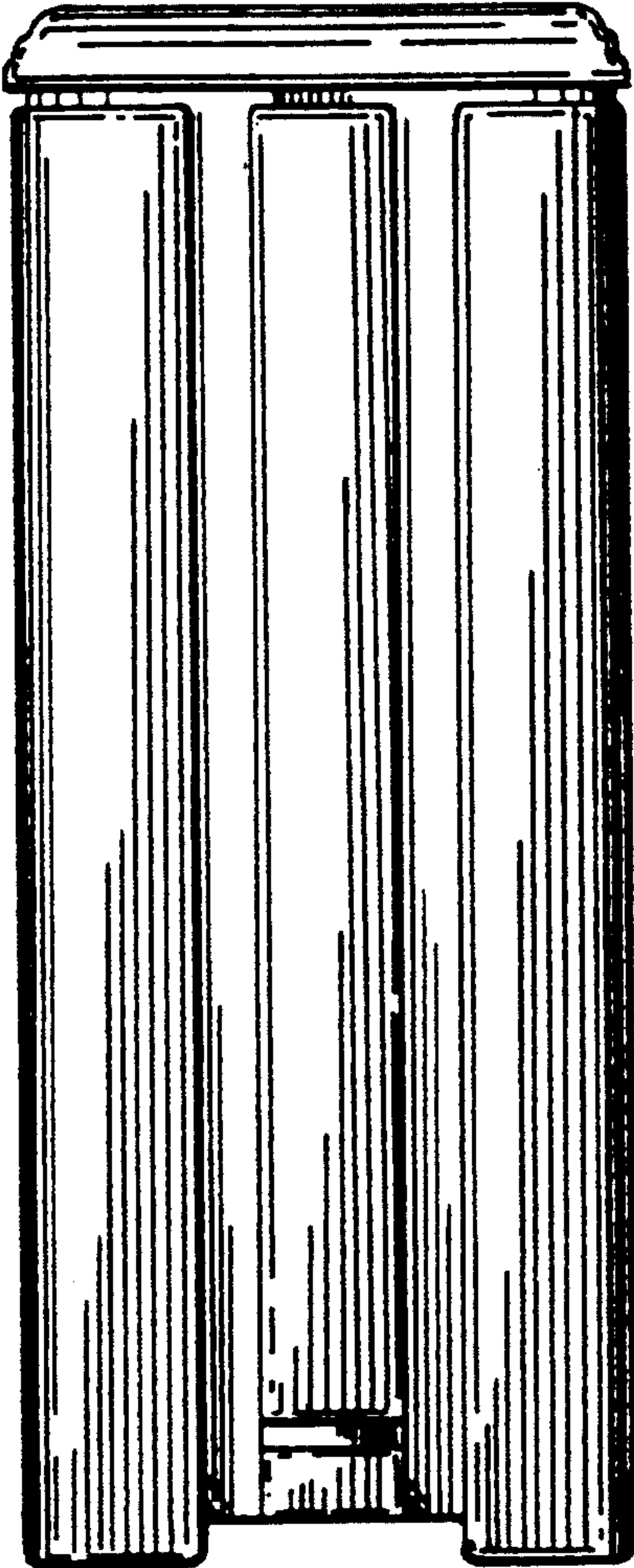


FIG. 4

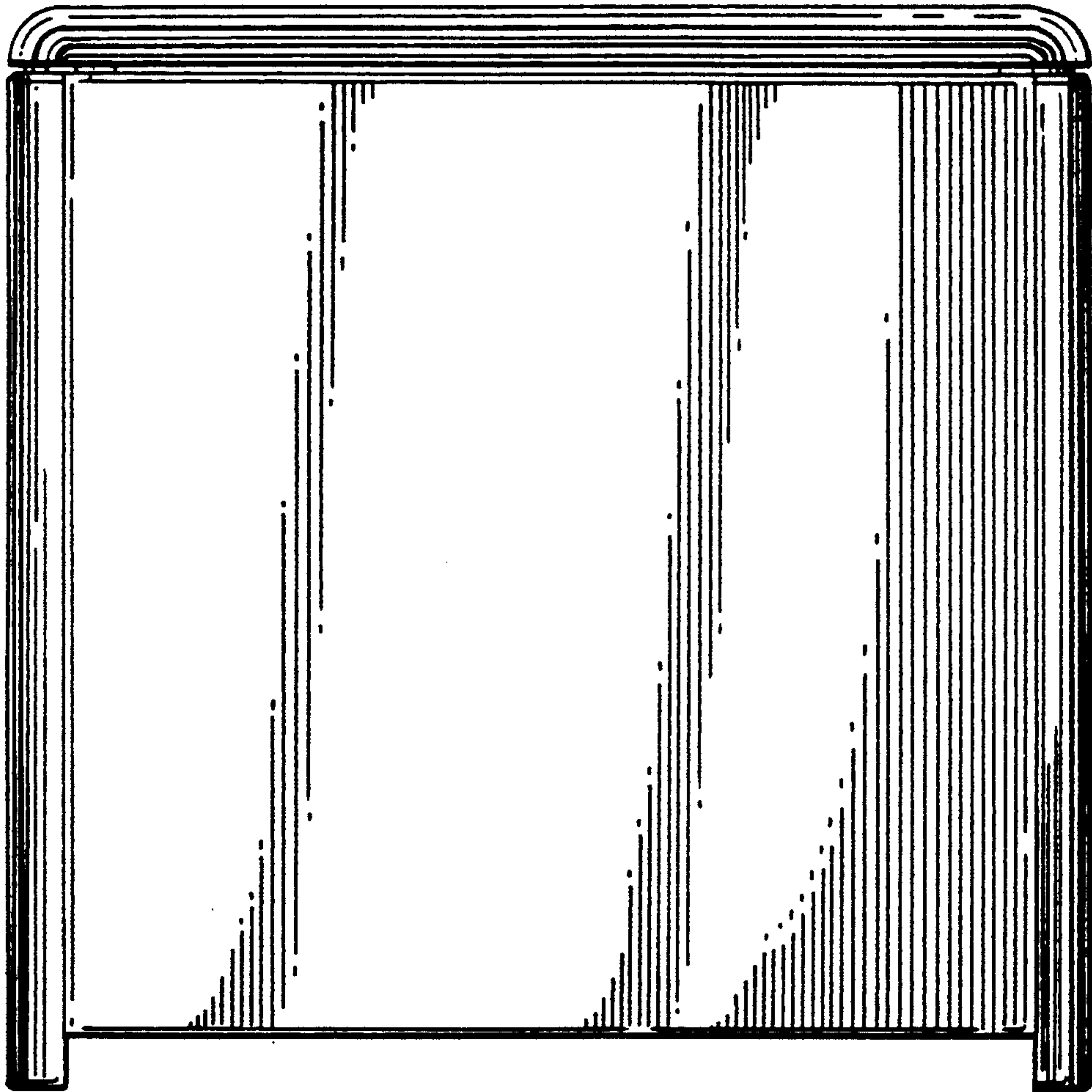


FIG. 5

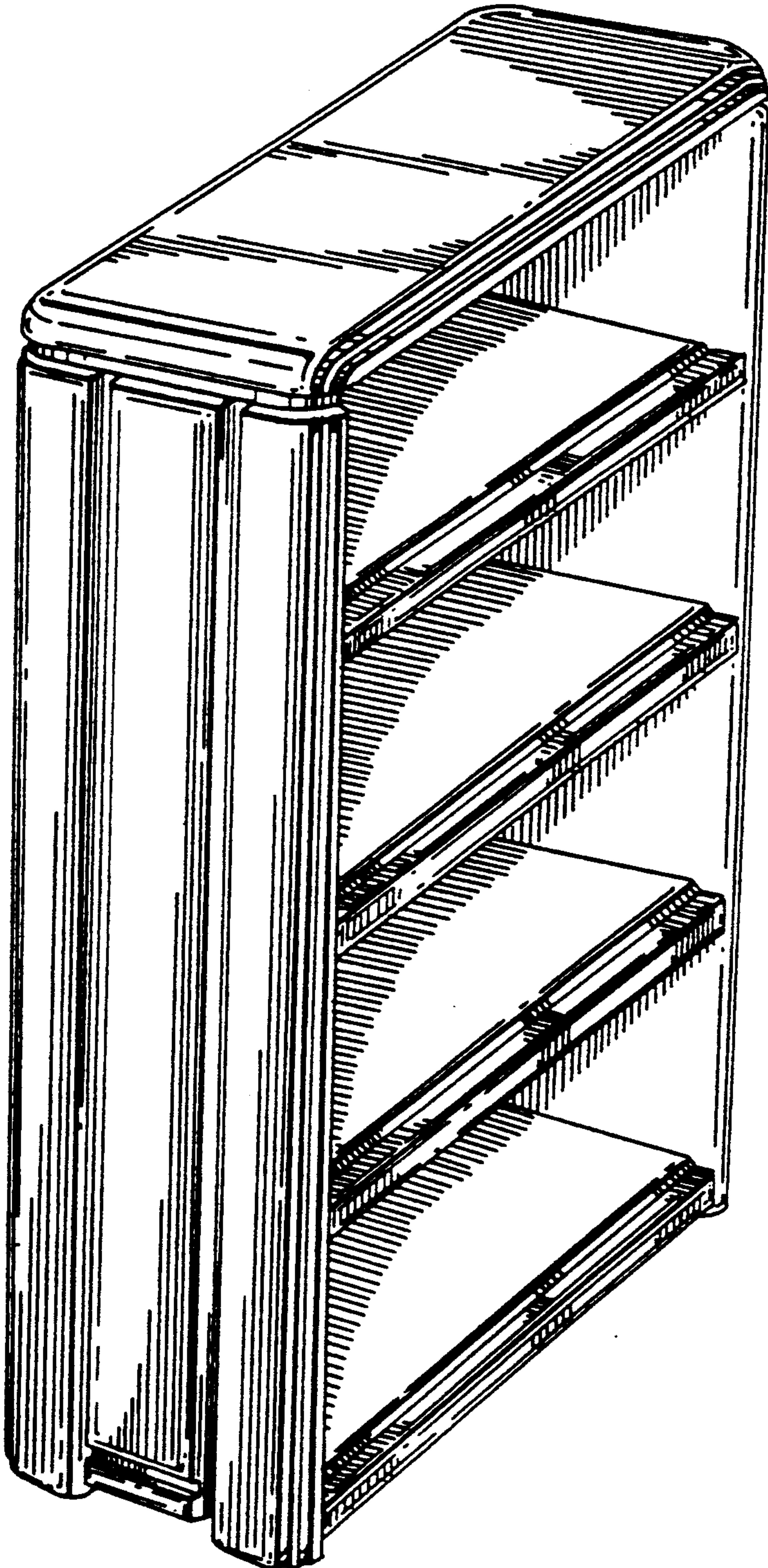


FIG. 6

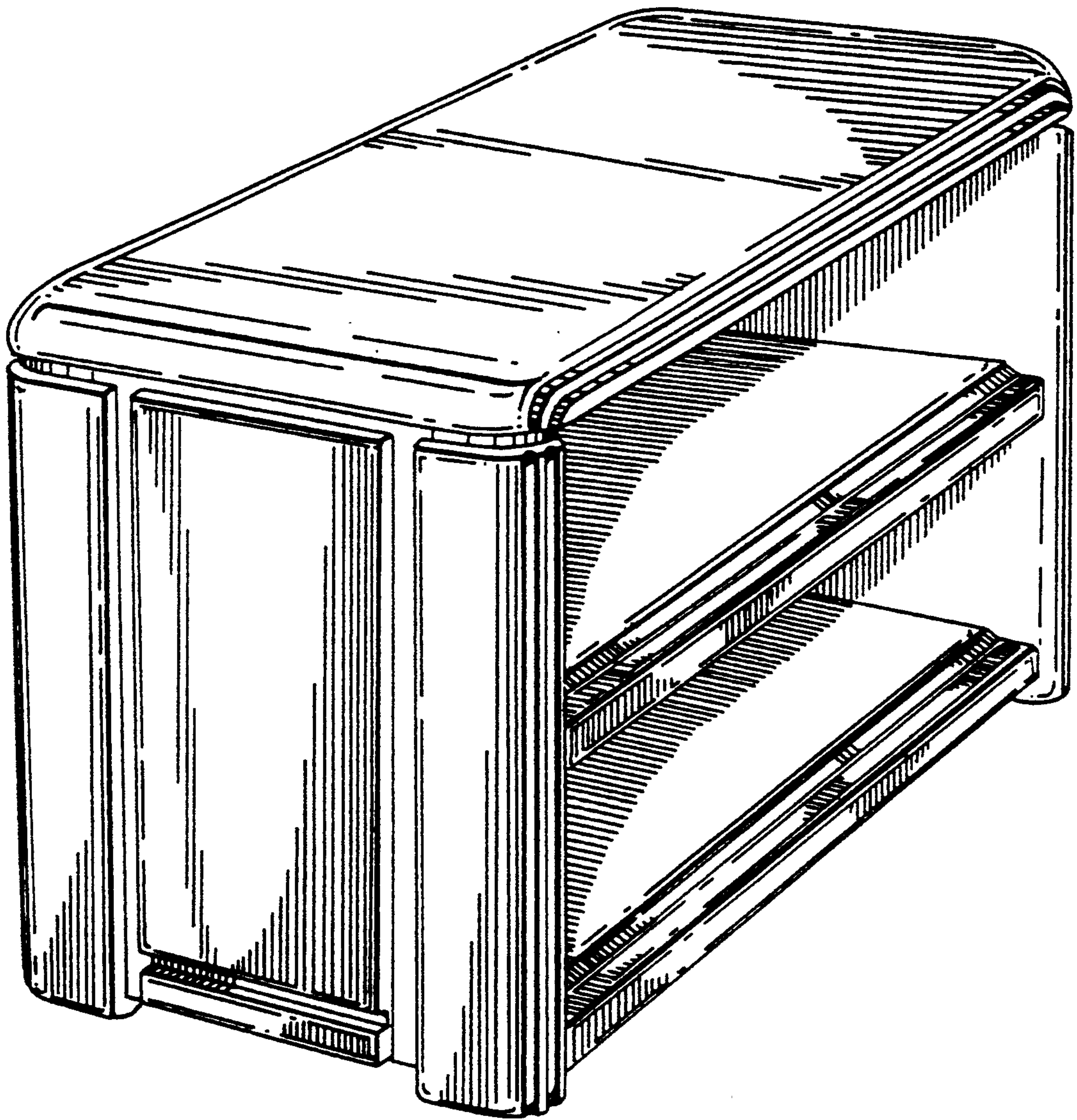


FIG. 7