



US00D347125S

United States Patent [19]

Brunel

[11] Patent Number: **Des. 347,125**

[45] Date of Patent: **** May 24, 1994**

[54] **BED ON WHEELS**

[75] Inventor: **Jean Brunel, Montmagny, Canada**

[73] Assignee: **Les Industries Amisco LTÉE, L'Islet, Canada**

[**] Term: **14 Years**

[21] Appl. No.: **948,802**

[22] Filed: **Sep. 24, 1992**

[52] U.S. Cl. **D6/388; D6/382; D34/17**

[58] Field of Search **D6/388, 382, 390-395, D6/336; 5/907, 93.1; D34/17**

[56] **References Cited**

U.S. PATENT DOCUMENTS

D. 252,599	8/1979	Carter	D6/388
D. 252,608	8/1979	Carter	D6/388
D. 275,912	10/1984	Hydrusko et al.	D6/388
D. 285,871	9/1986	Stenwall	D6/336
D. 288,991	3/1987	Noga	D6/336

D. 321,796 11/1991 Forrand D6/349 X

OTHER PUBLICATIONS

Furniture Today, Apr. 10, 1989, p. 122, car bed at right bottom.

Night Racer Ad, Jun. 1979.

Primary Examiner—Nelson C. Holtje

Assistant Examiner—J. E. Seeger

Attorney, Agent, or Firm—Robic

[57] **CLAIM**

The ornamental design for a bed on wheels, as shown and described.

DESCRIPTION

FIG. 1 is a perspective view of a bed on wheels, showing my new design.

FIG. 2 is a rear elevational view thereof;

FIG. 3 is a front elevational view thereof;

FIG. 4 is a left side elevational view thereof;

FIG. 5 is a top plan view thereof; and,

FIG. 6 is a bottom plan view thereof.

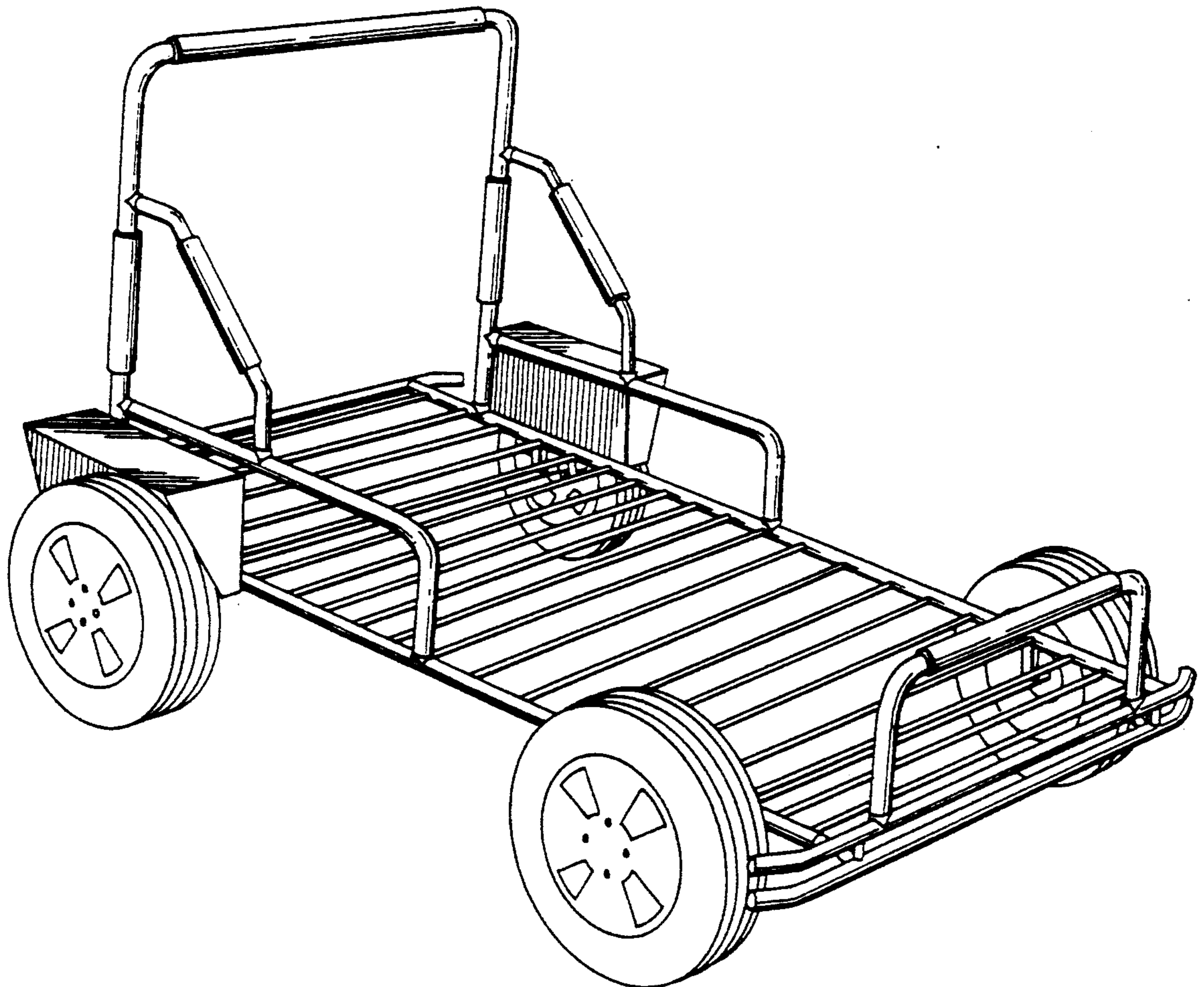
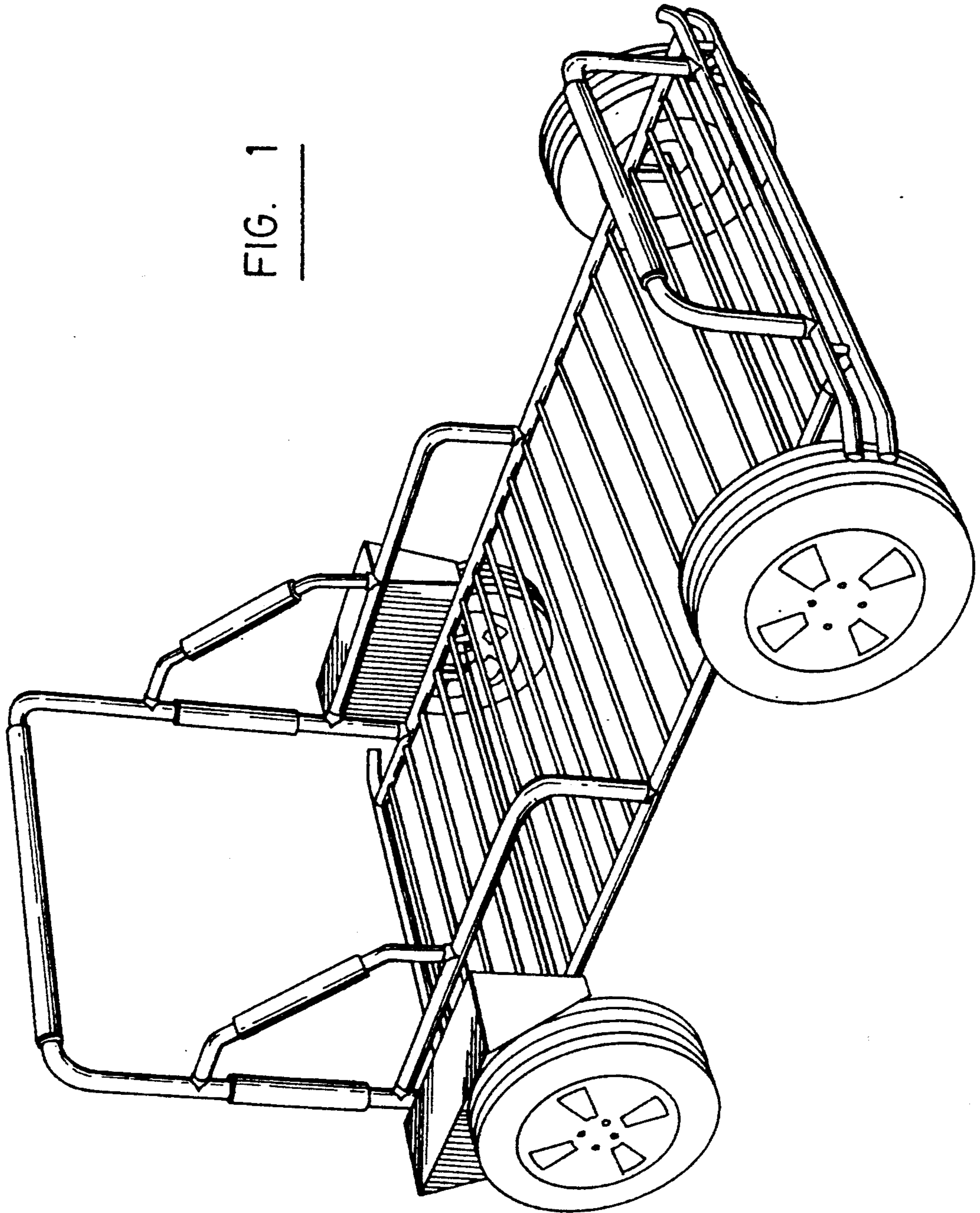


FIG. 1



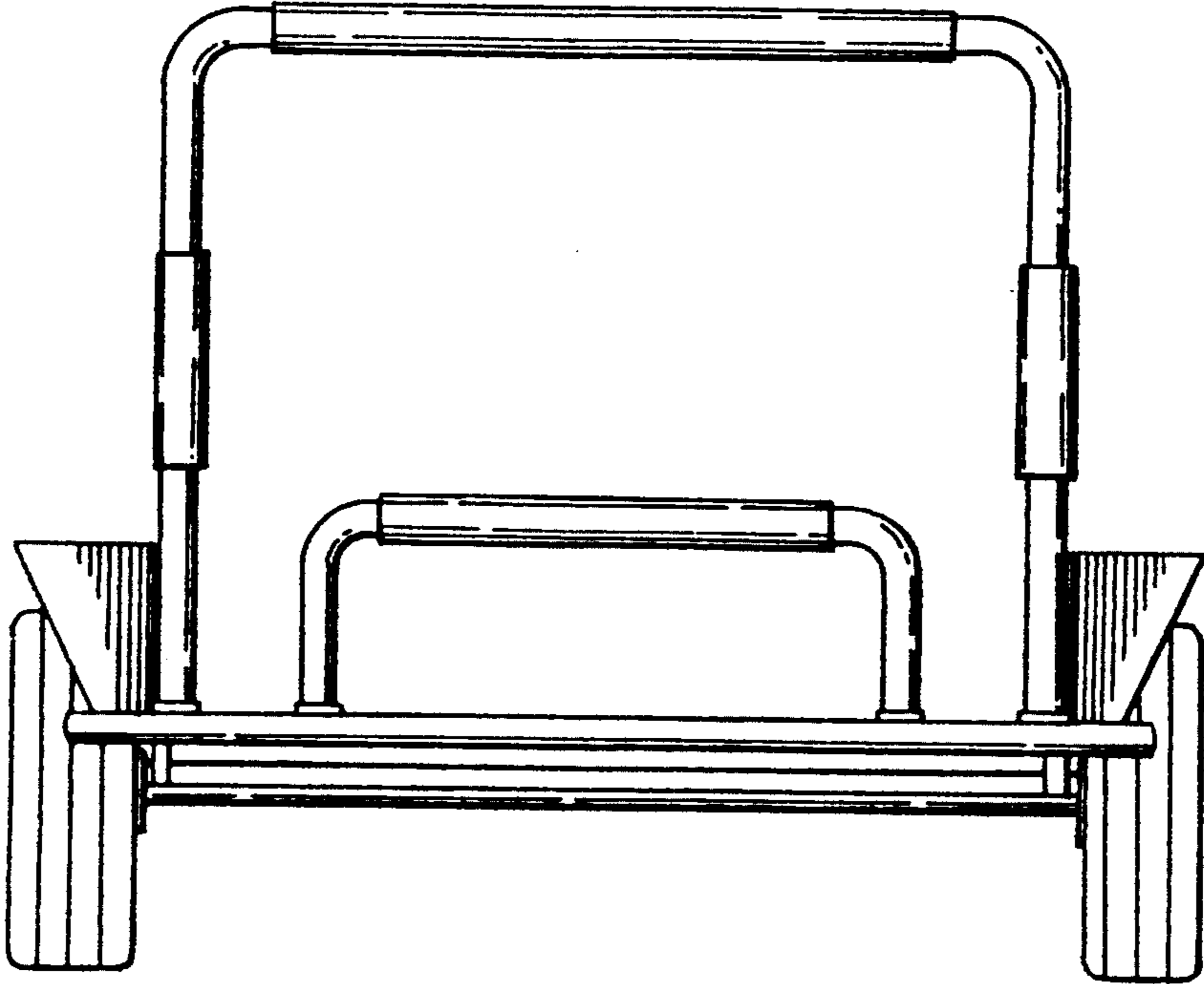


FIG. 2

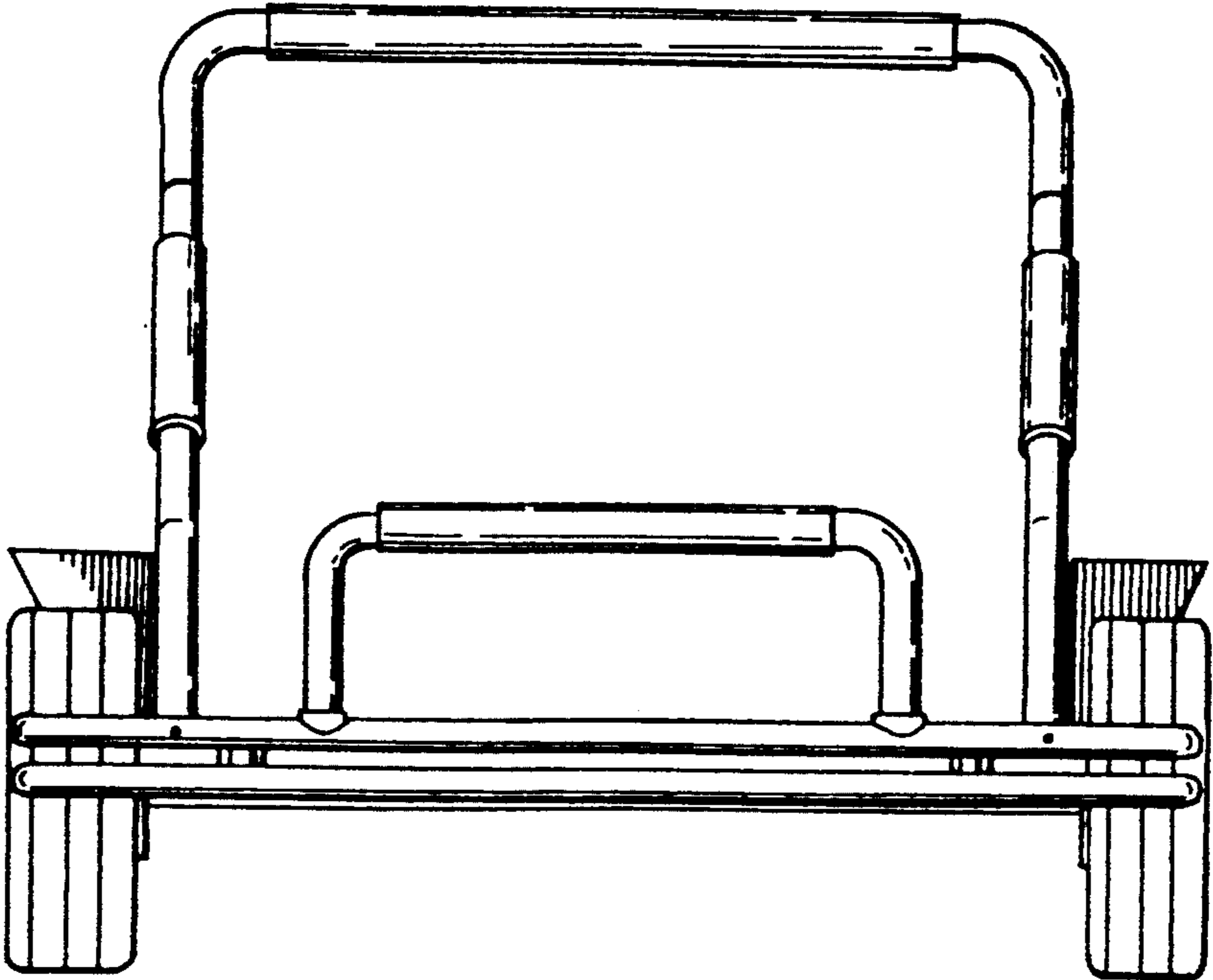


FIG. 3

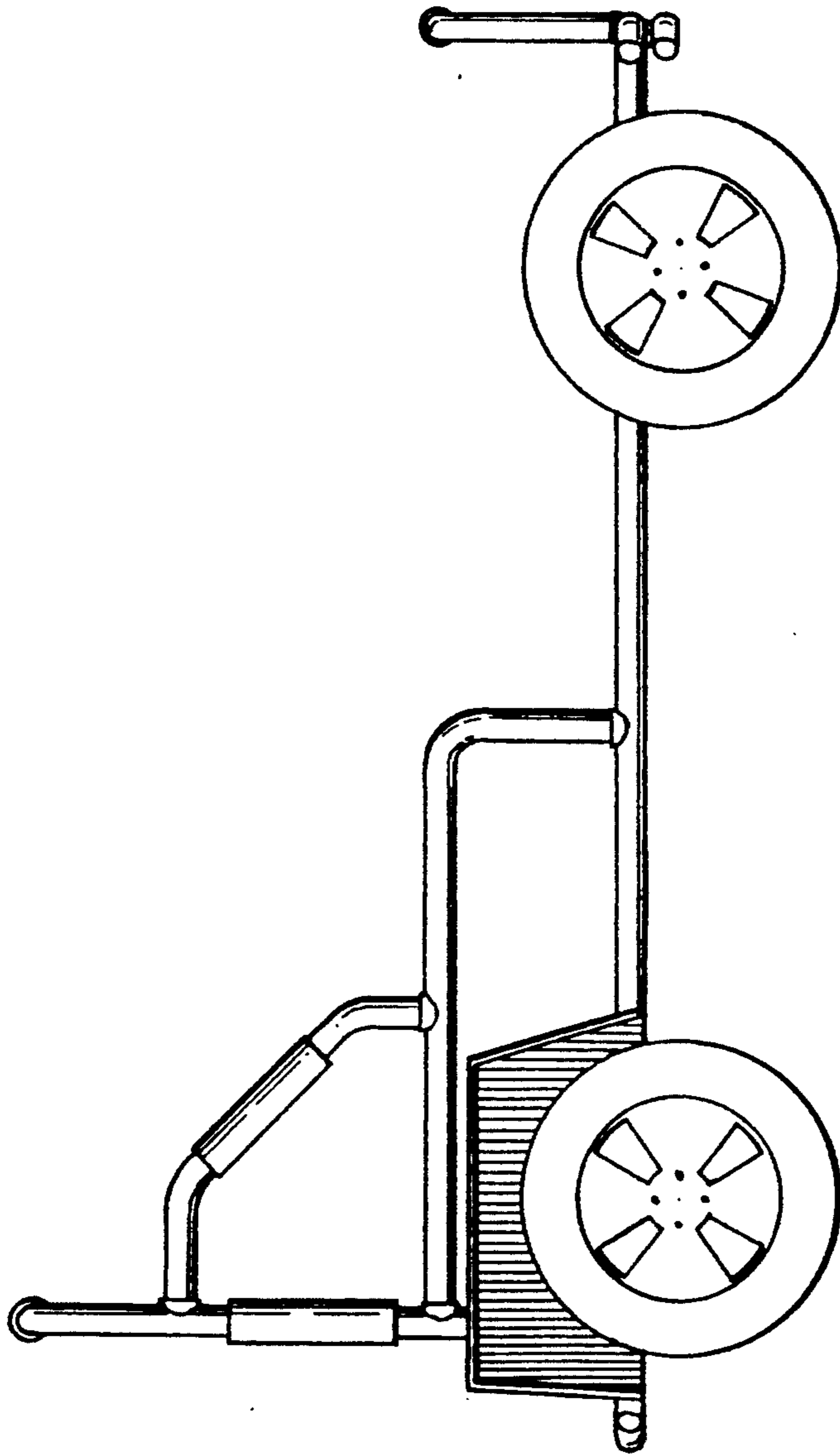


FIG. 4

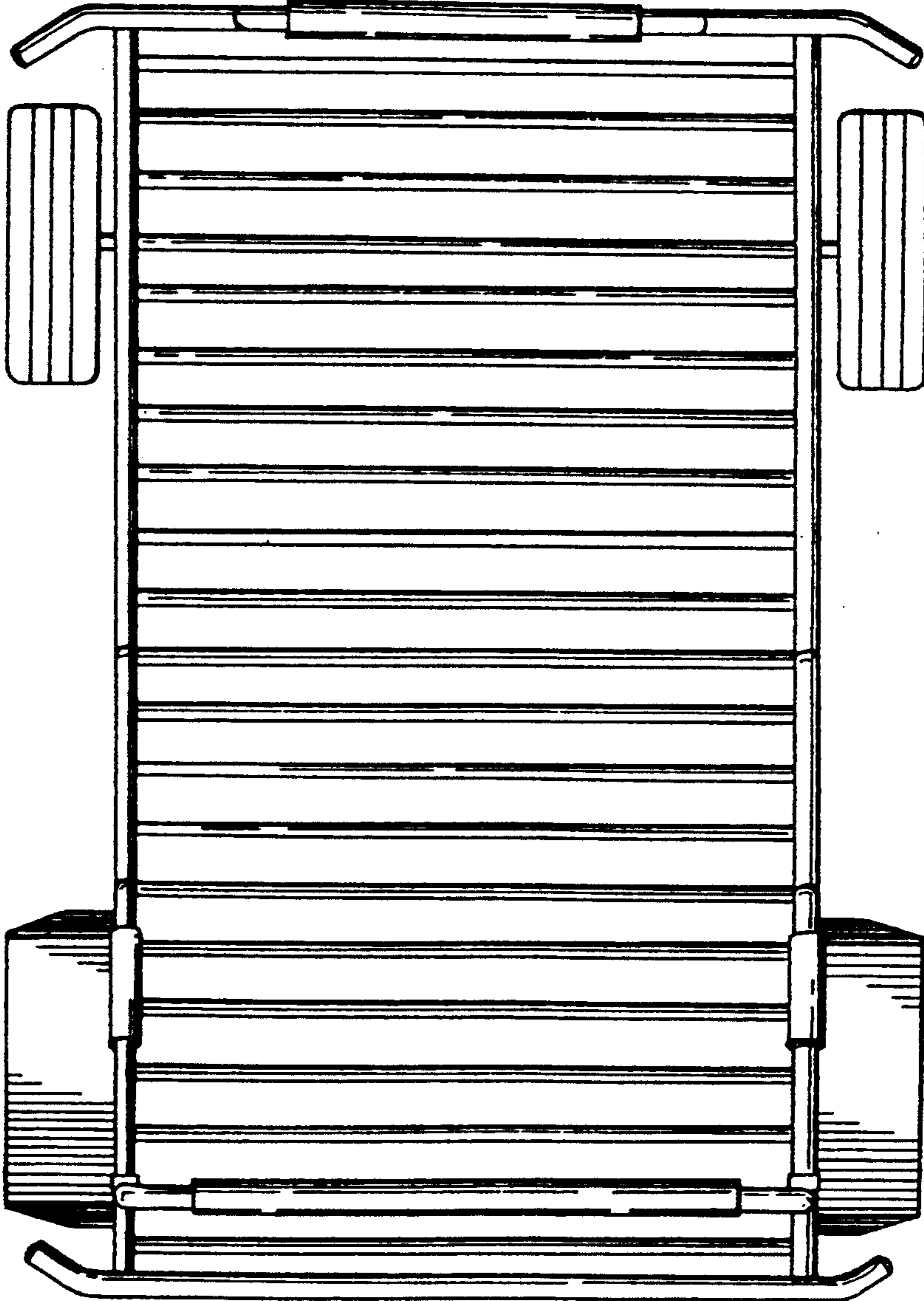


FIG. 5

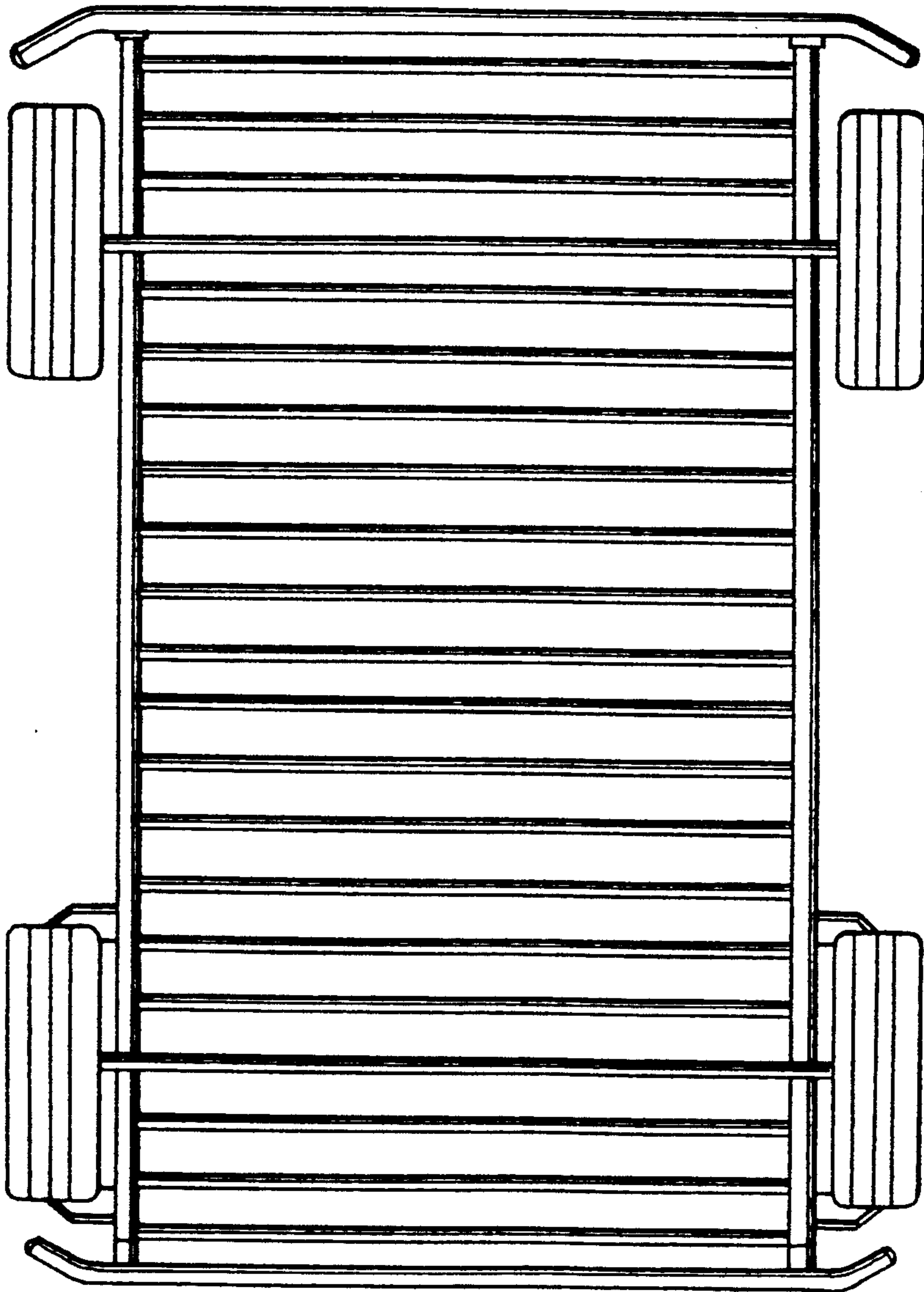


FIG. 6