



US00D347097S

United States Patent [19]

[11] Patent Number: **Des. 347,097**

Hude et al.

[45] Date of Patent: **** May 17, 1994**

[54] **CORDED INSERTED PIECE FOR LOAD LIFTING PADS**

[56] **References Cited**

[75] Inventors: **Andrej Hude, Kranj; Marko Benedik, Zabnica, both of Slovenia**

U.S. PATENT DOCUMENTS

2,302,137	11/1942	Neuman	414/785
2,702,140	2/1955	Momyer	414/785
3,776,145	12/1973	Anderson et al.	414/785

[73] Assignee: **Sava Kranj Industrija Gumijevih, Usnjenih, Kranj, Slovenia**

Primary Examiner—Kay H. Chin
Attorney, Agent, or Firm—Pollock, Vande Sande & Priddy

[**] Term: **14 Years**

[57] CLAIM

The ornamental design for a corded inserted piece for load lifting pads, as shown and described.

[21] Appl. No.: **847,242**

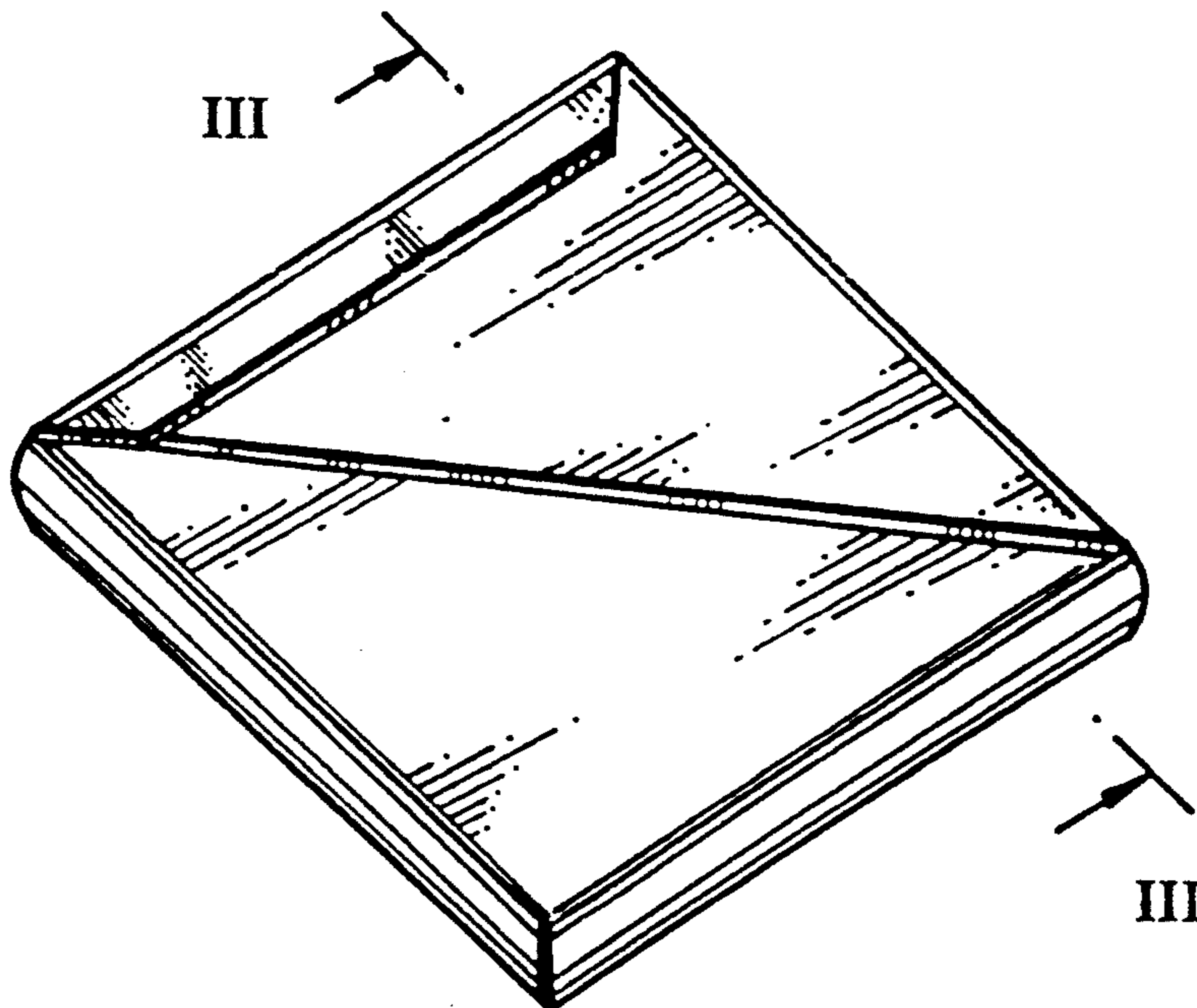
DESCRIPTION

[22] Filed: **Feb. 26, 1992**

FIG. 1 is a top perspective view showing our new design for a corded inserted piece for load lifting pads; FIG. 2 is a bottom perspective view thereof; FIG. 3 is a cross-sectional view thereof taken along lines 111—111' in FIG. 1; FIG. 4 is a view of a corded inserted piece for load lifting pads shown in FIG. 1 in an unfolded position; and, FIG. 5 is a view thereof in a partially folded position.

[30] Foreign Application Priority Data

Aug. 26, 1991	[YU]	Yugoslavia	M412/91
[52]	U.S. Cl.	D34/38; D34/28	
[58]	Field of Search	108/51.1, 53.1; 248/346; 414/785; 180/8.1; D34/28, 38	



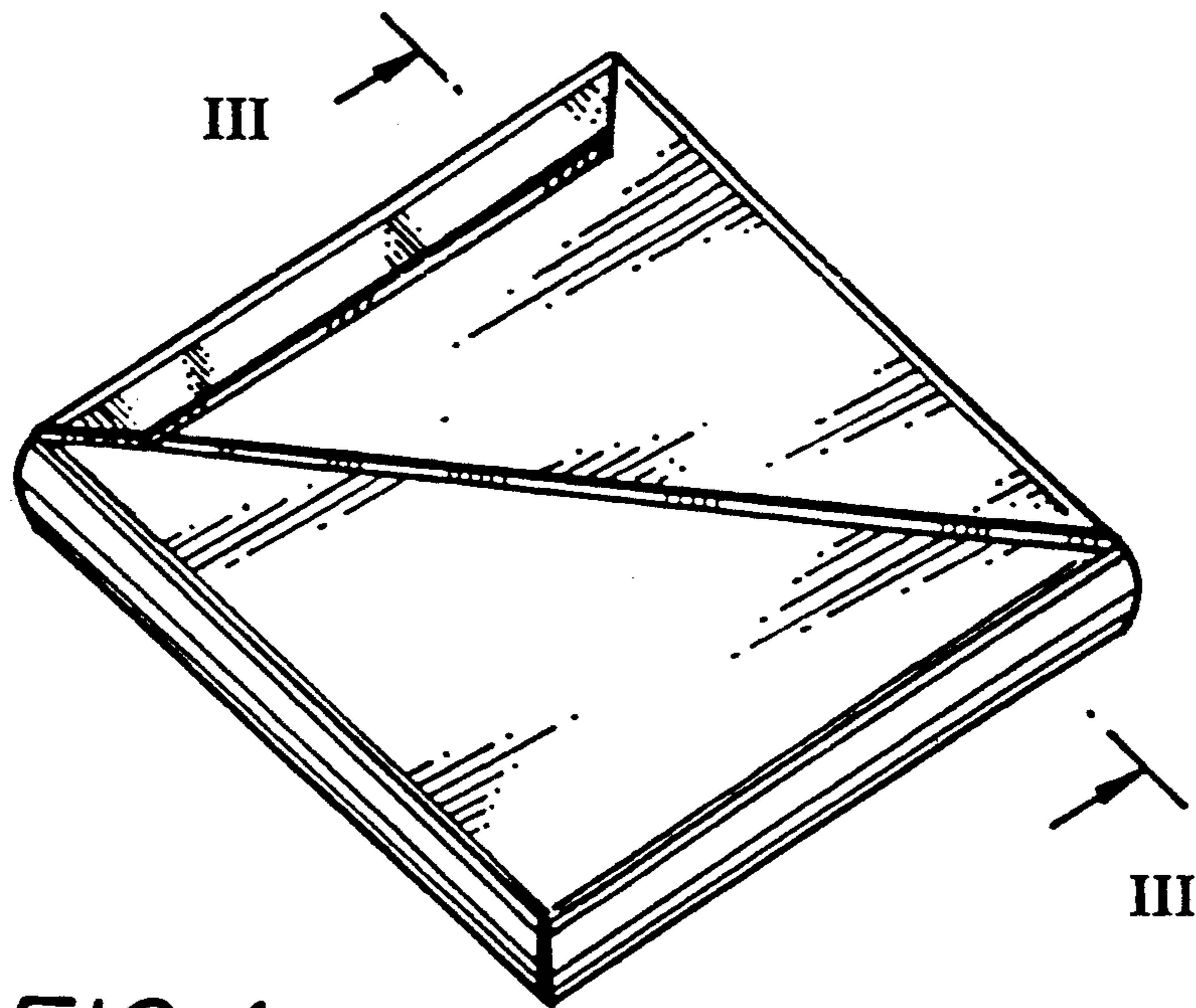


FIG. 1

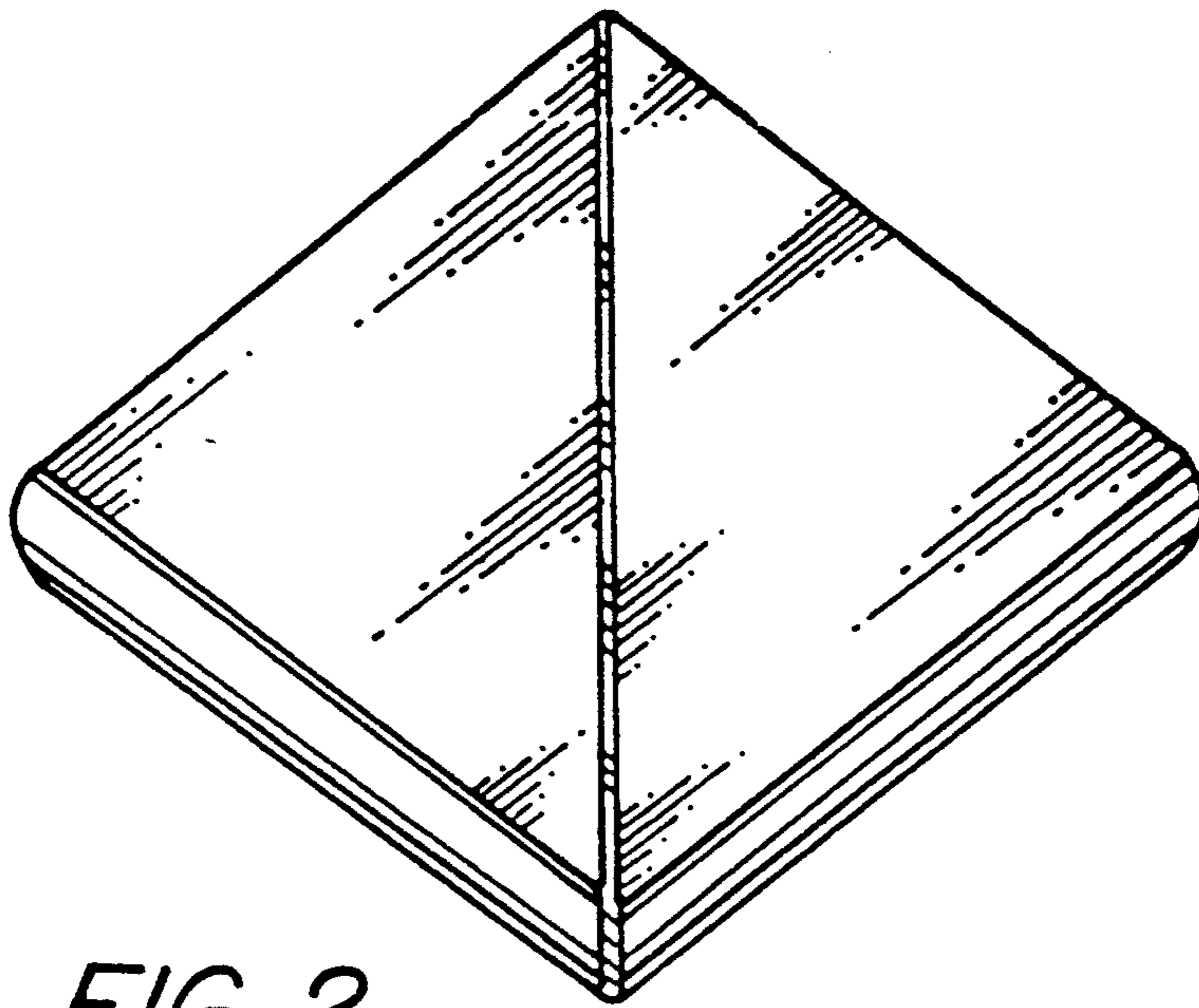


FIG. 2



FIG. 3

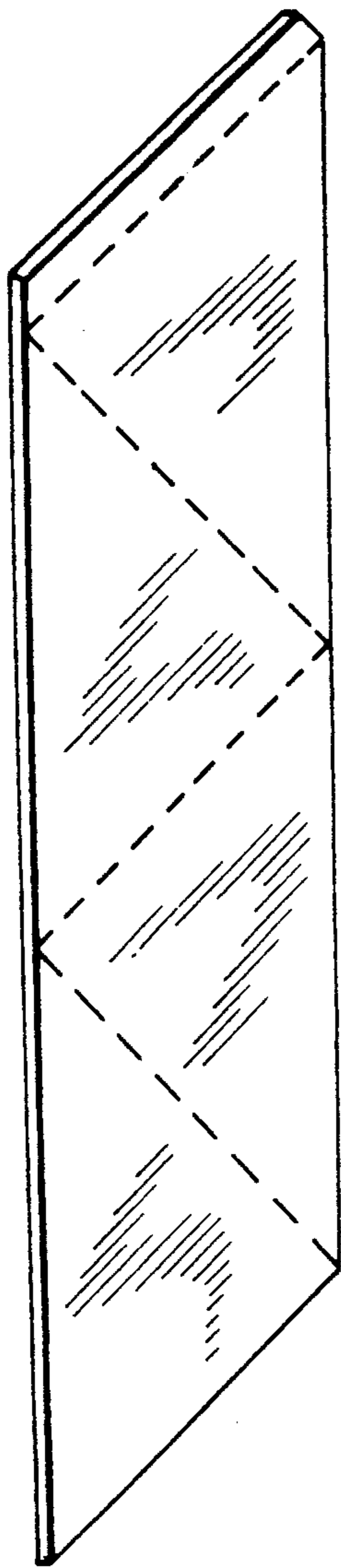


FIG. 4

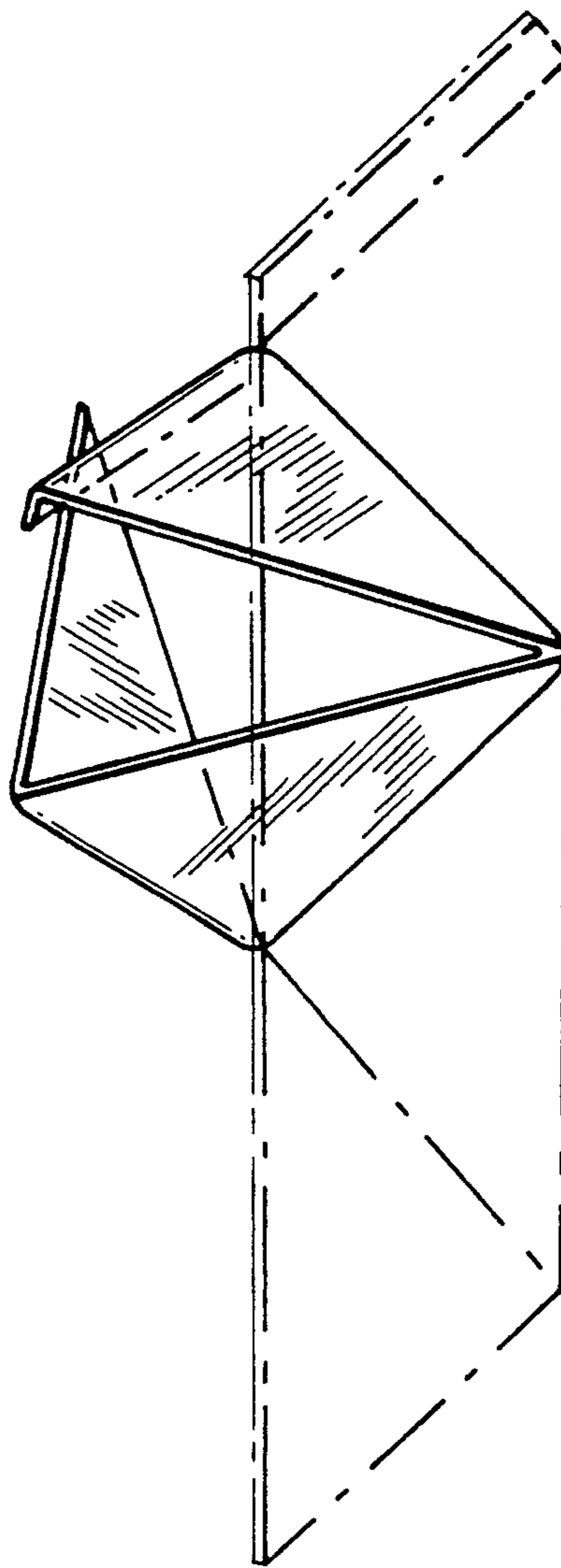


FIG. 5