



US00D347095S

United States Patent [19]

[11] Patent Number: **Des. 347,095**

Apps et al.

[45] Date of Patent: **** May 17, 1994**

- [54] **ROLL OUT TRASH CART**
- [75] Inventors: **William P. Apps, Anaheim; James B. Rehrig, Rancho Palos Verdes, both of Calif.**
- [73] Assignee: **Rehrig Pacific Company, Los Angeles, Calif.**
- [**] Term: **14 Years**
- [21] Appl. No.: **844,686**
- [22] Filed: **Mar. 2, 1992**
- [52] U.S. Cl. **D34/5; D34/7**
- [58] Field of Search **220/908, 909; 232/43.2, 232/1 R; 280/47.26; 206/366; D34/1-11**

- D. 324,595 3/1992 Beese et al. D34/7
- D. 326,753 6/1992 DeBusk D34/7

Primary Examiner—Kay H. Chin
Attorney, Agent, or Firm—Pillsbury Madison & Sutro

[57] CLAIM

The ornamental design for a roll out trash cart, as shown and described.

DESCRIPTION

FIG. 1 is a perspective view showing the front side, left side, and top of a roll out trash cart embodying the new ornamental design;

FIG. 2 is a perspective view showing the back side, right side, and top of the same;

FIG. 3 is a top plan view of the same;

FIG. 4 is a front side elevational view of the same;

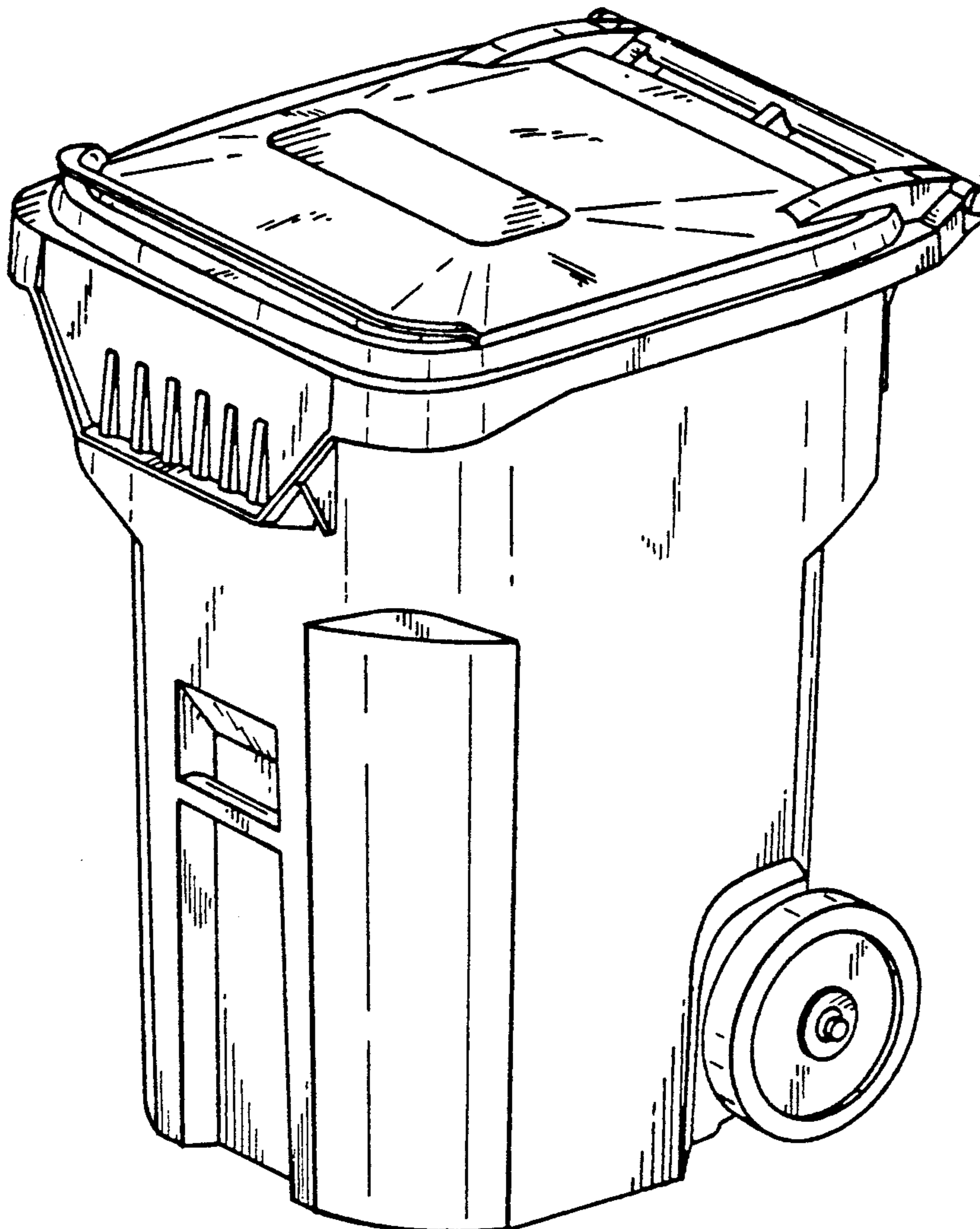
FIG. 5 is a back side elevational view of the same;

FIG. 6 is a right side elevational view of the same;

FIG. 7 is a left side elevational view of the same; and,

FIG. 8 is a bottom view of the roll out trash cart.

- [56] **References Cited**
- U.S. PATENT DOCUMENTS**
- D. 281,284 11/1985 Reuter D34/1
- D. 291,739 9/1987 Orłowski D34/5
- D. 313,491 1/1991 Edelhoff et al. D34/5



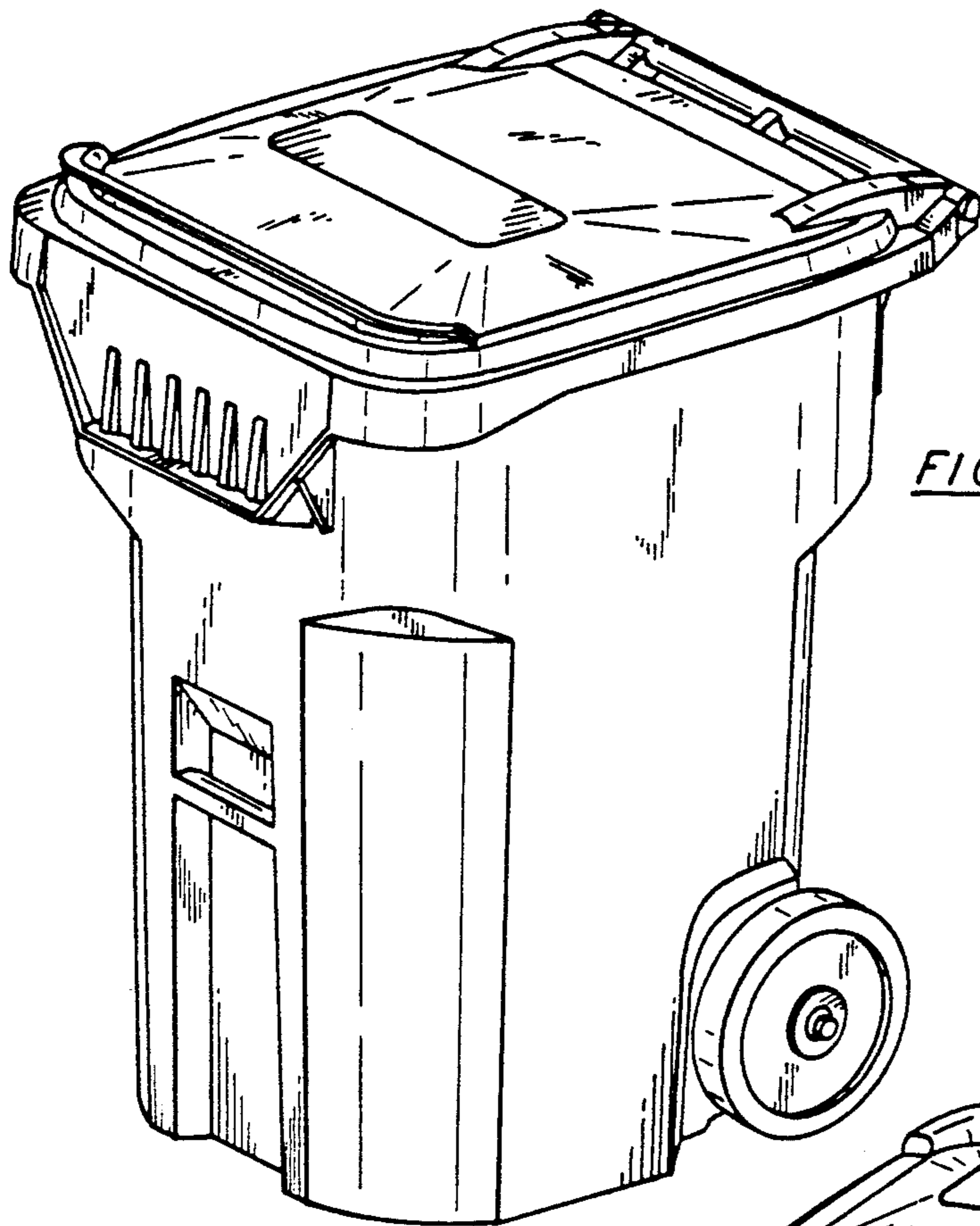


FIG. 1.

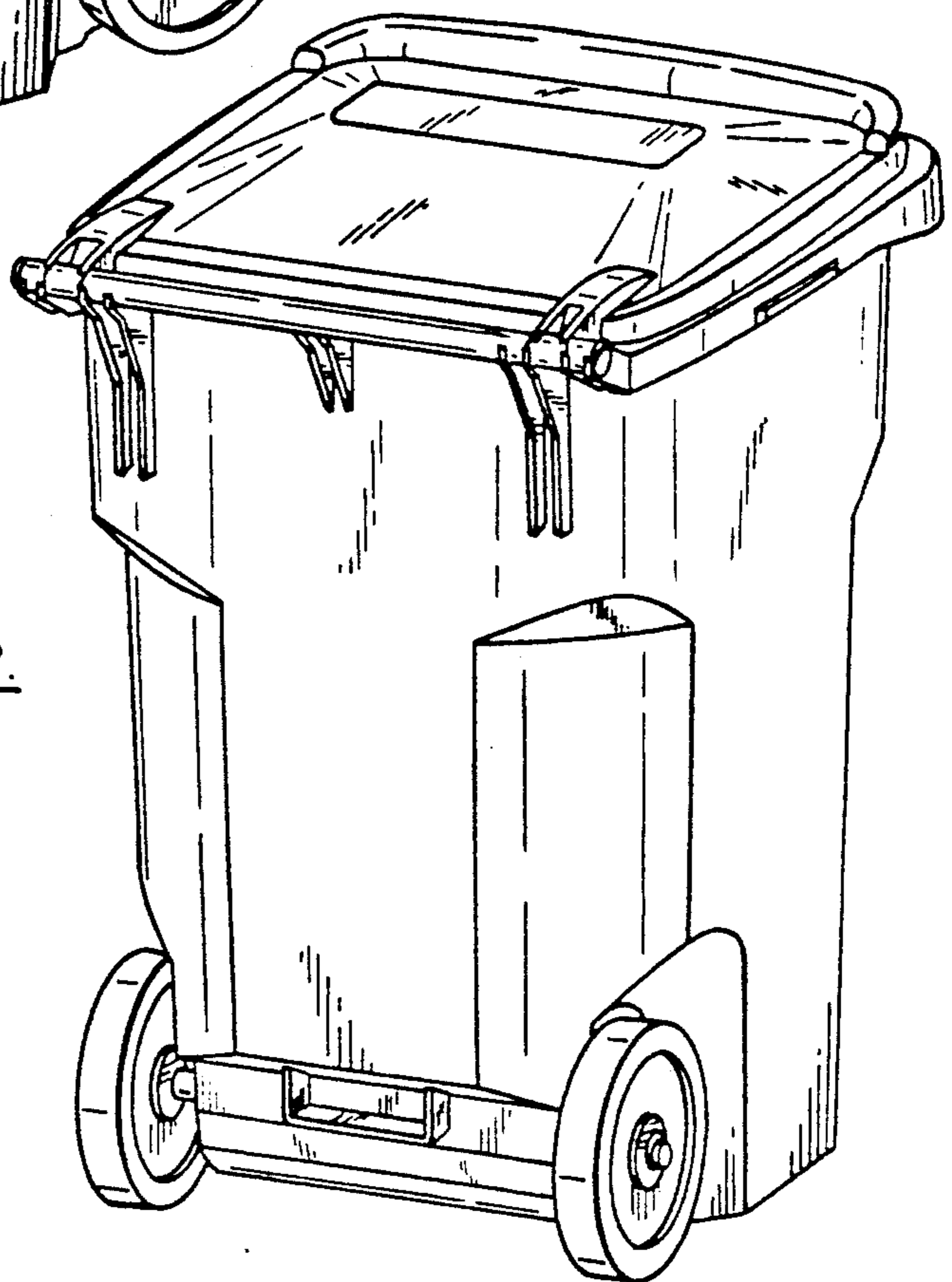


FIG. 2.

FIG. 3.

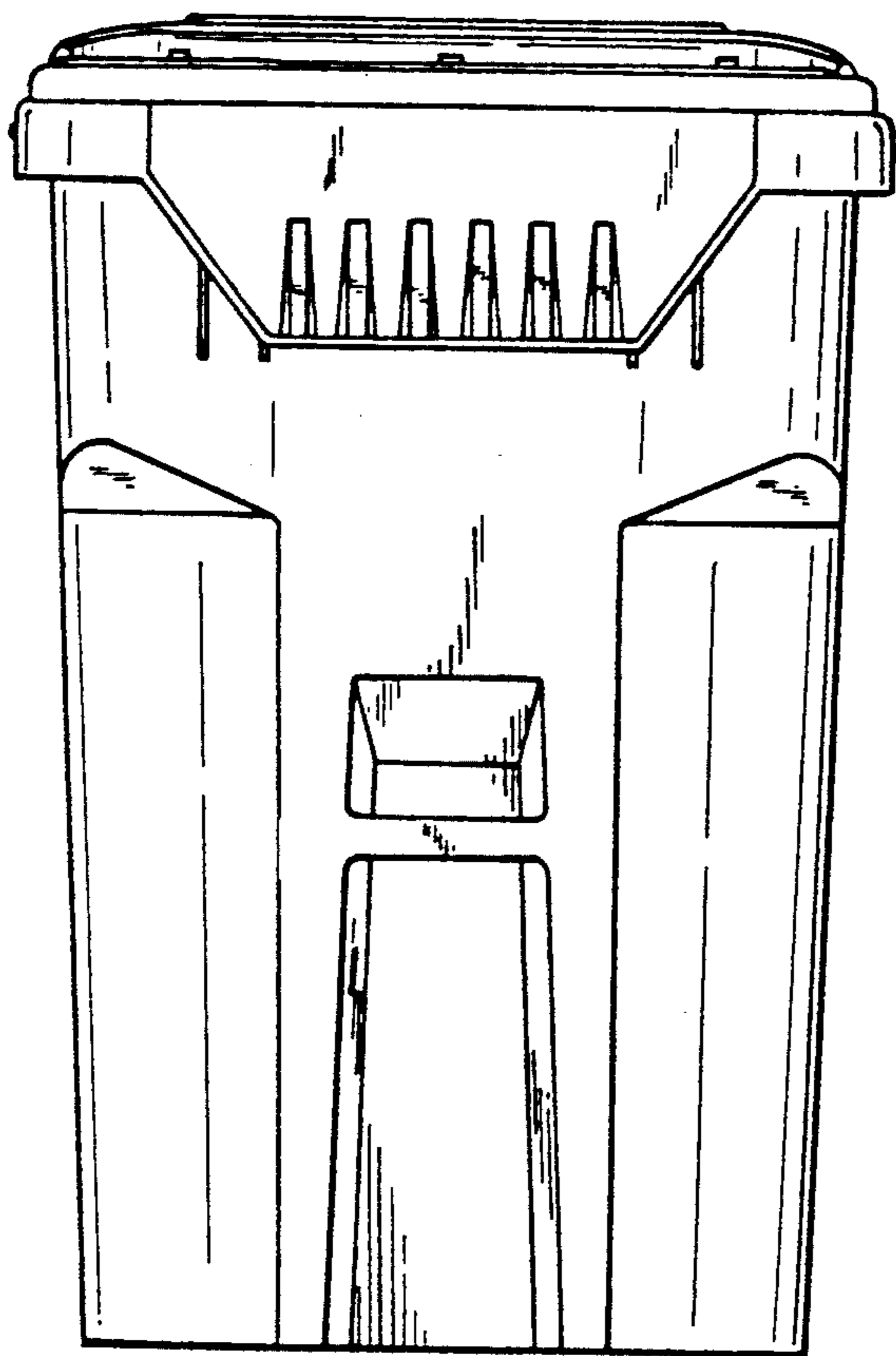
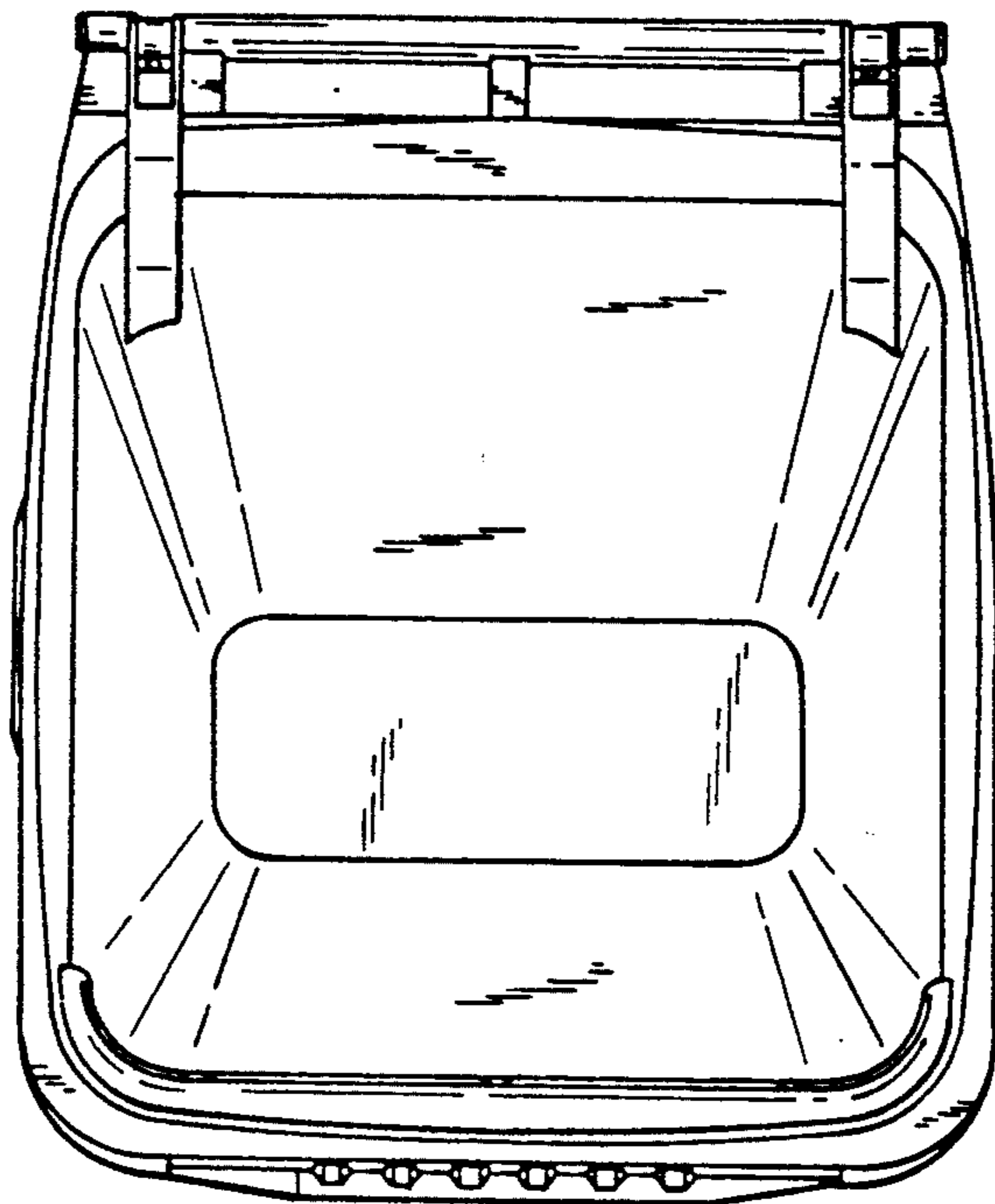


FIG. 4.

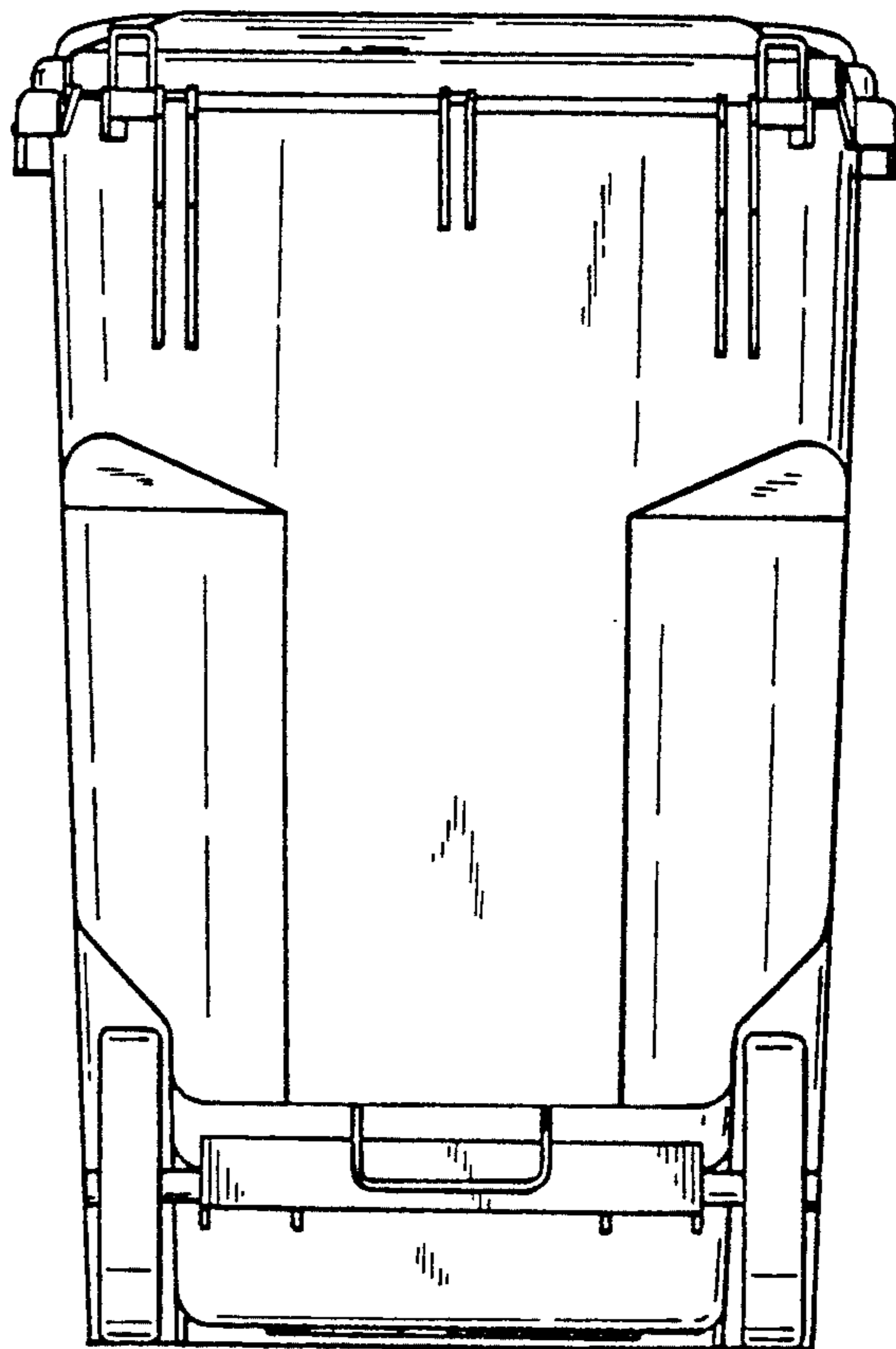


FIG. 5.

FIG. 6.

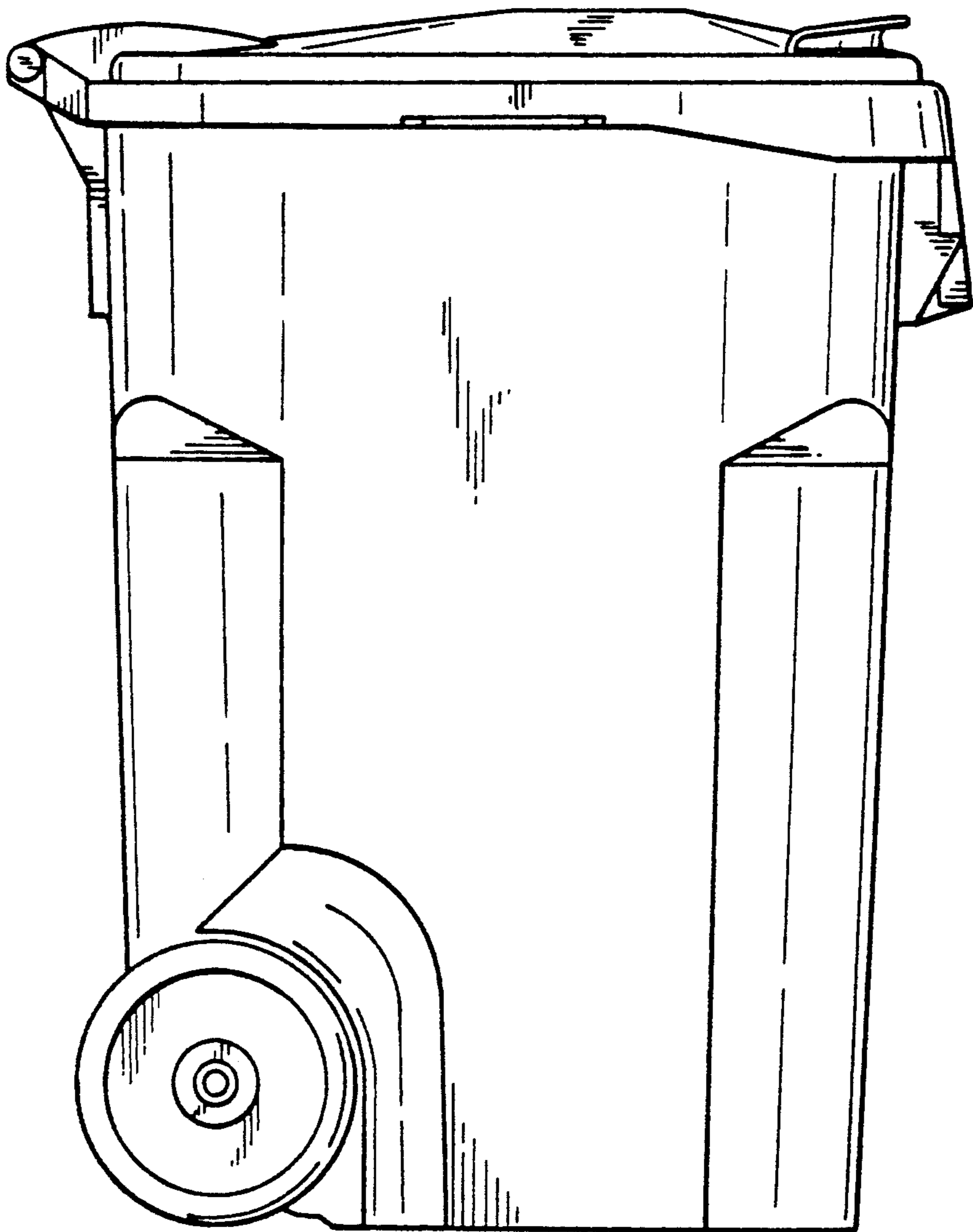


FIG. 7.

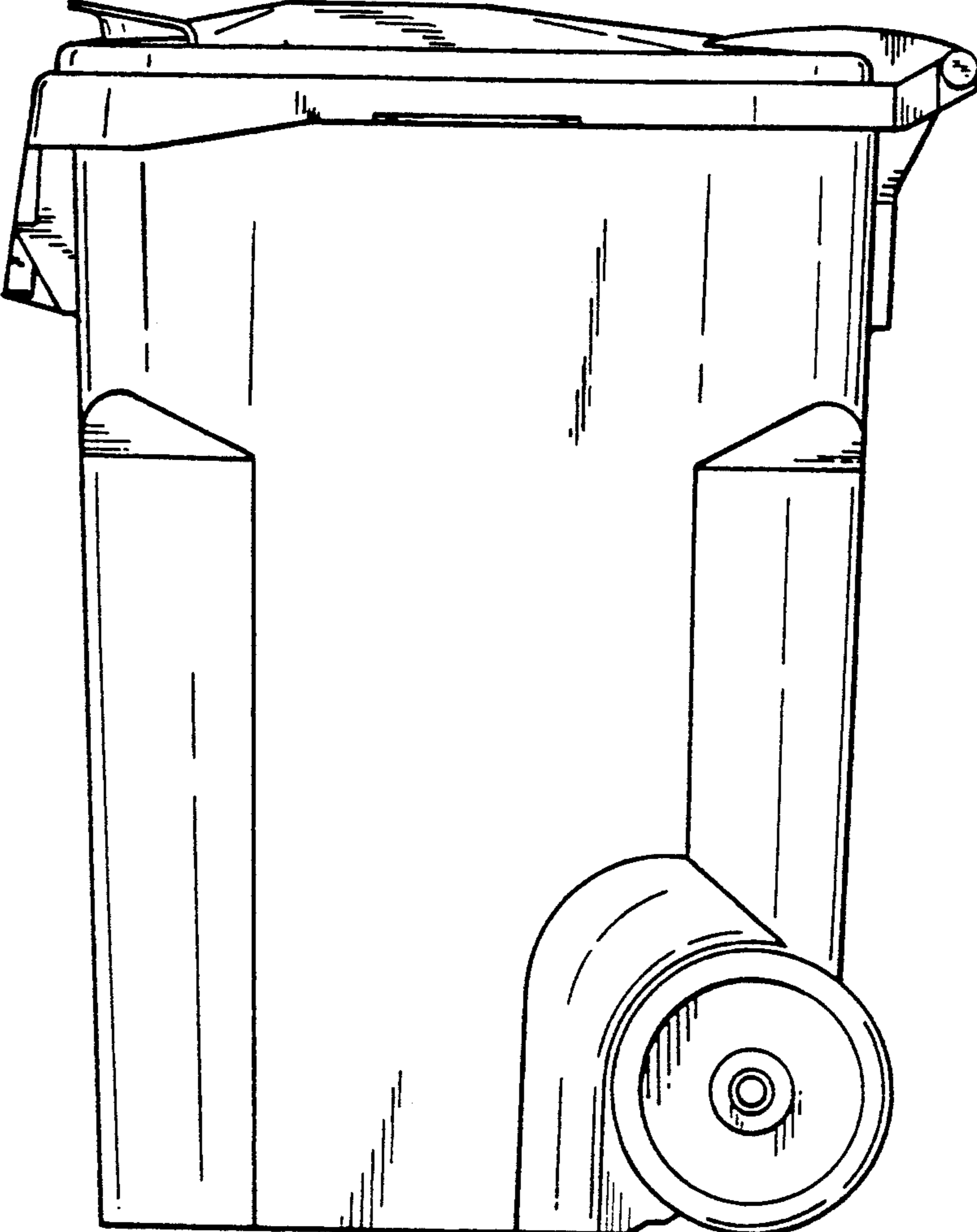


FIG. 8.

