



US00D347094S

United States Patent [19]

Christensen, Jr.

[11] Patent Number: **Des. 347,094**

[45] Date of Patent: **** May 17, 1994**

[54] **COMBINED GLOVE AND BOOT DRYER**

[76] Inventor: **Harry L. Christensen, Jr., 748 LaBrosse, Rochester Hills, Mich. 48307**

[**] Term: **14 Years**

[21] Appl. No.: **741,159**

[22] Filed: **Aug. 7, 1991**

[52] U.S. Cl. **D32/58**

[58] Field of Search **34/104-106, 34/218, 221, 227, 239, 240, 243 R; 211/34-35, 37; D6/317; D32/1, 6, 8, 10, 25, 35, 58-59**

[56] **References Cited**

U.S. PATENT DOCUMENTS

D. 113,493	2/1939	Harrison	D32/8
D. 199,145	9/1964	Jennings, Jr.	D32/8
D. 213,129	1/1969	Schenck	D32/8
D. 310,742	9/1990	Johnson	D32/58
D. 327,963	7/1992	Westlake	D32/8

3,645,009	2/1972	Ketchum	.	
3,793,744	2/1974	Saita	.	
3,798,788	3/1974	Kuntz	.	
4,151,658	5/1979	Hibino et al.	34/243 R
4,977,690	12/1990	Davis, Jr.	34/243 R
5,115,580	5/1992	Blumenfeld et al.	34/106

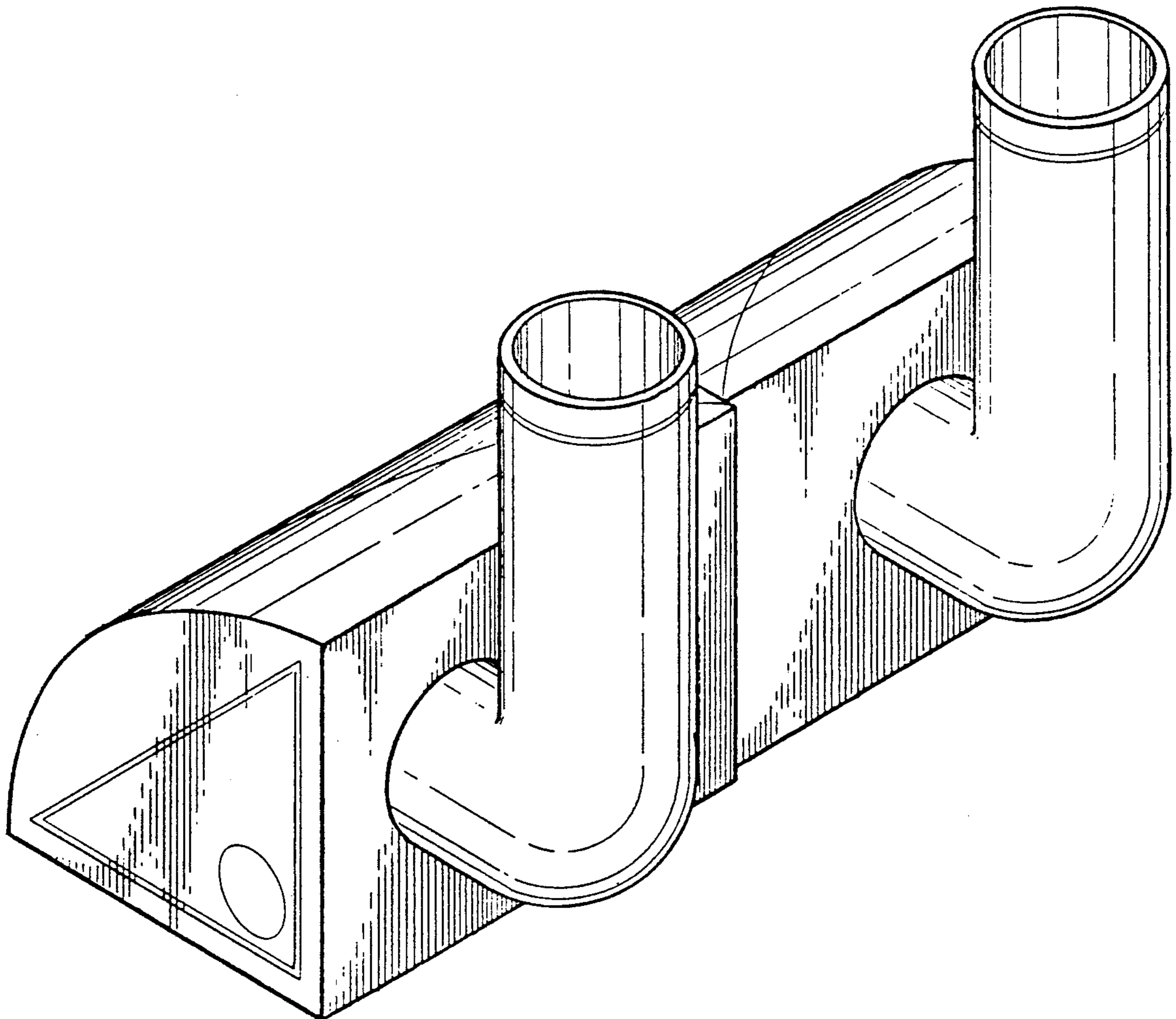
Primary Examiner—Ruth McInroy
Attorney, Agent, or Firm—Terry M. Gernstein

[57] **CLAIM**

The ornamental design for a combined glove and boot dryer, as shown and described.

DESCRIPTION

FIG. 1 is a perspective view of the combined glove and boot dryer showing my new design;
FIG. 2 is a front elevational view thereof;
FIG. 3 is a rear elevational view thereof;
FIG. 4 is a left side elevational view thereof;
FIG. 5 is a right side elevational view thereof;
FIG. 6 is a top plan view thereof; and,
FIG. 7 is a bottom view thereof.



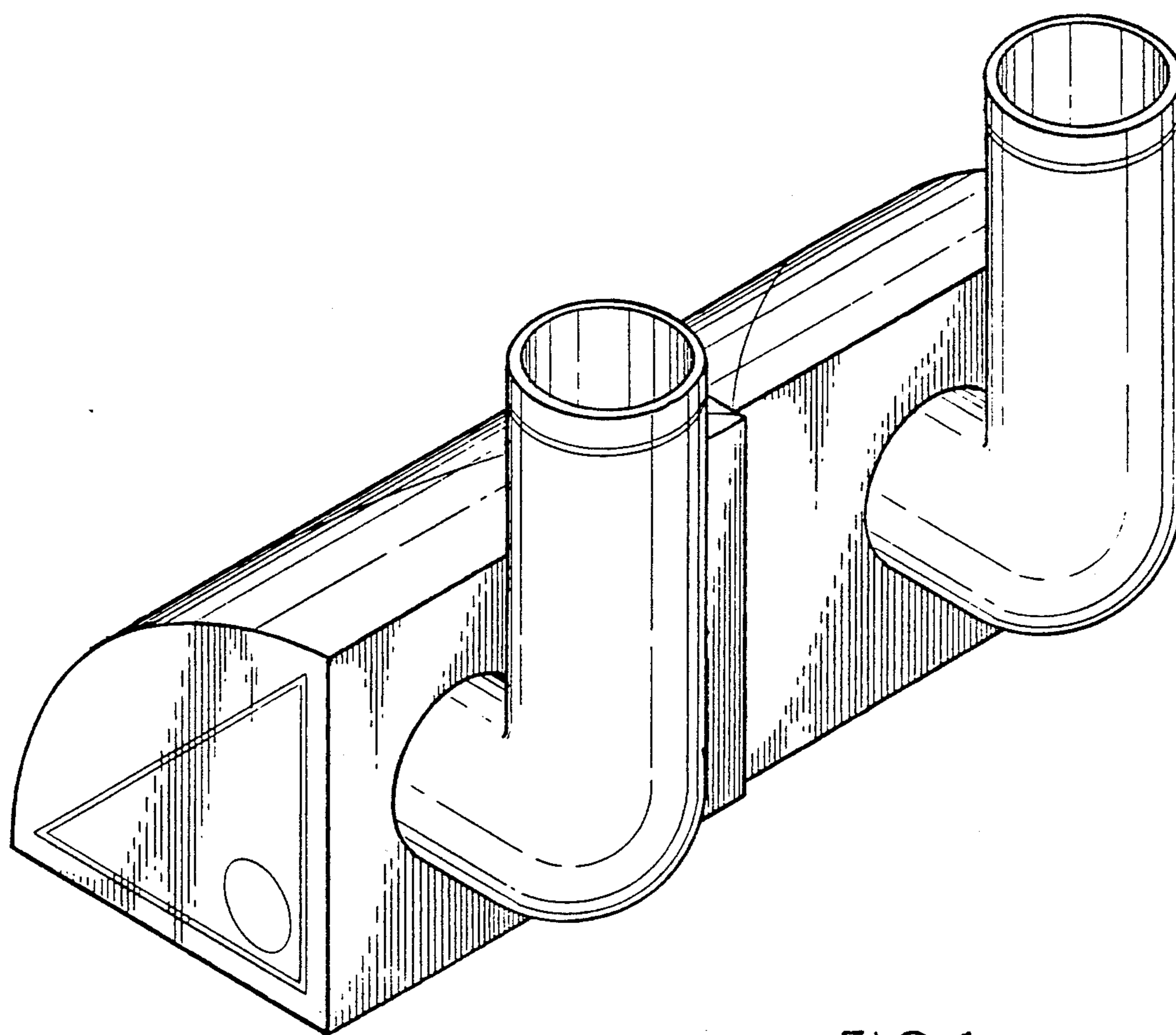


FIG. 1

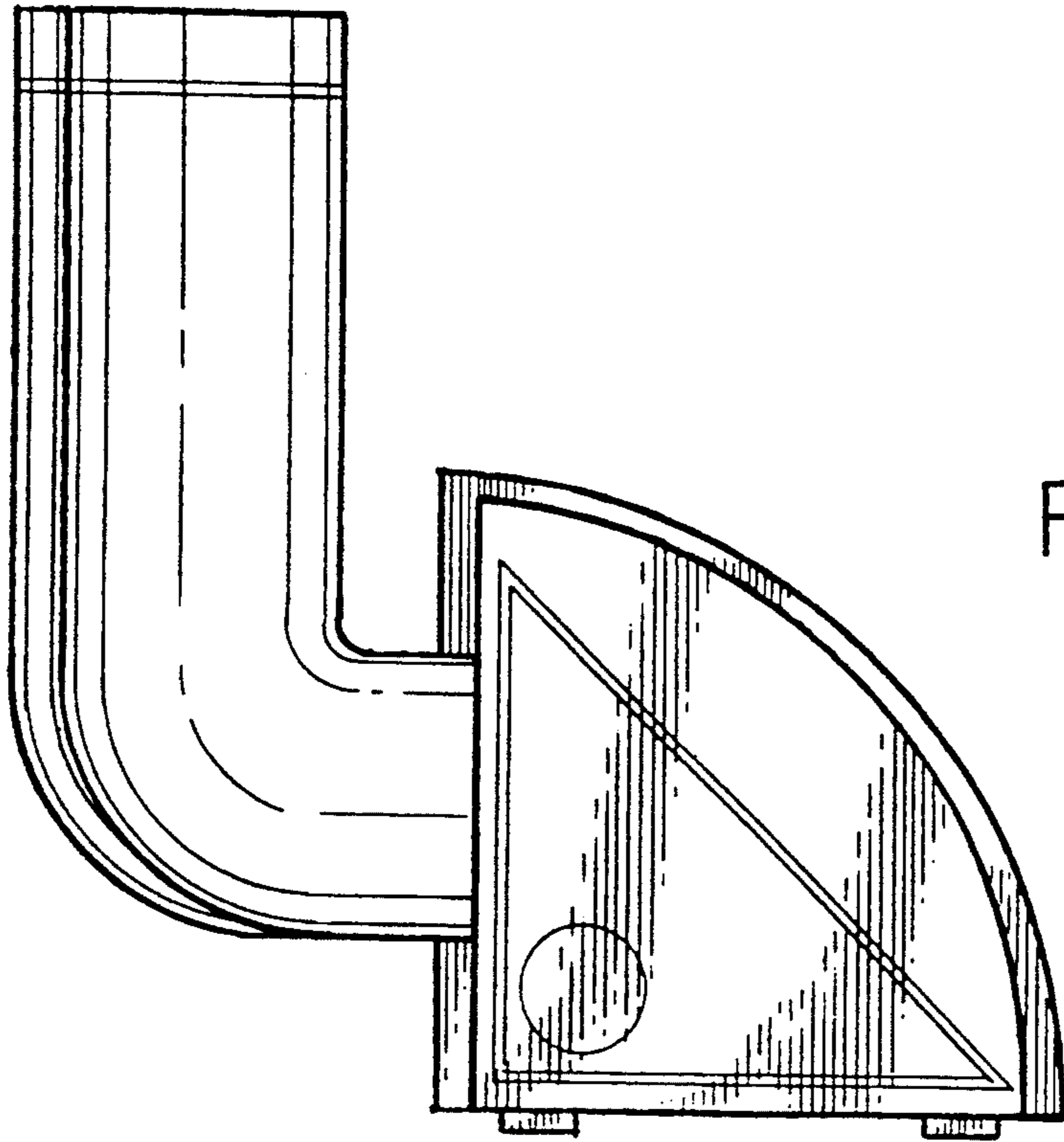


FIG. 3

FIG. 2

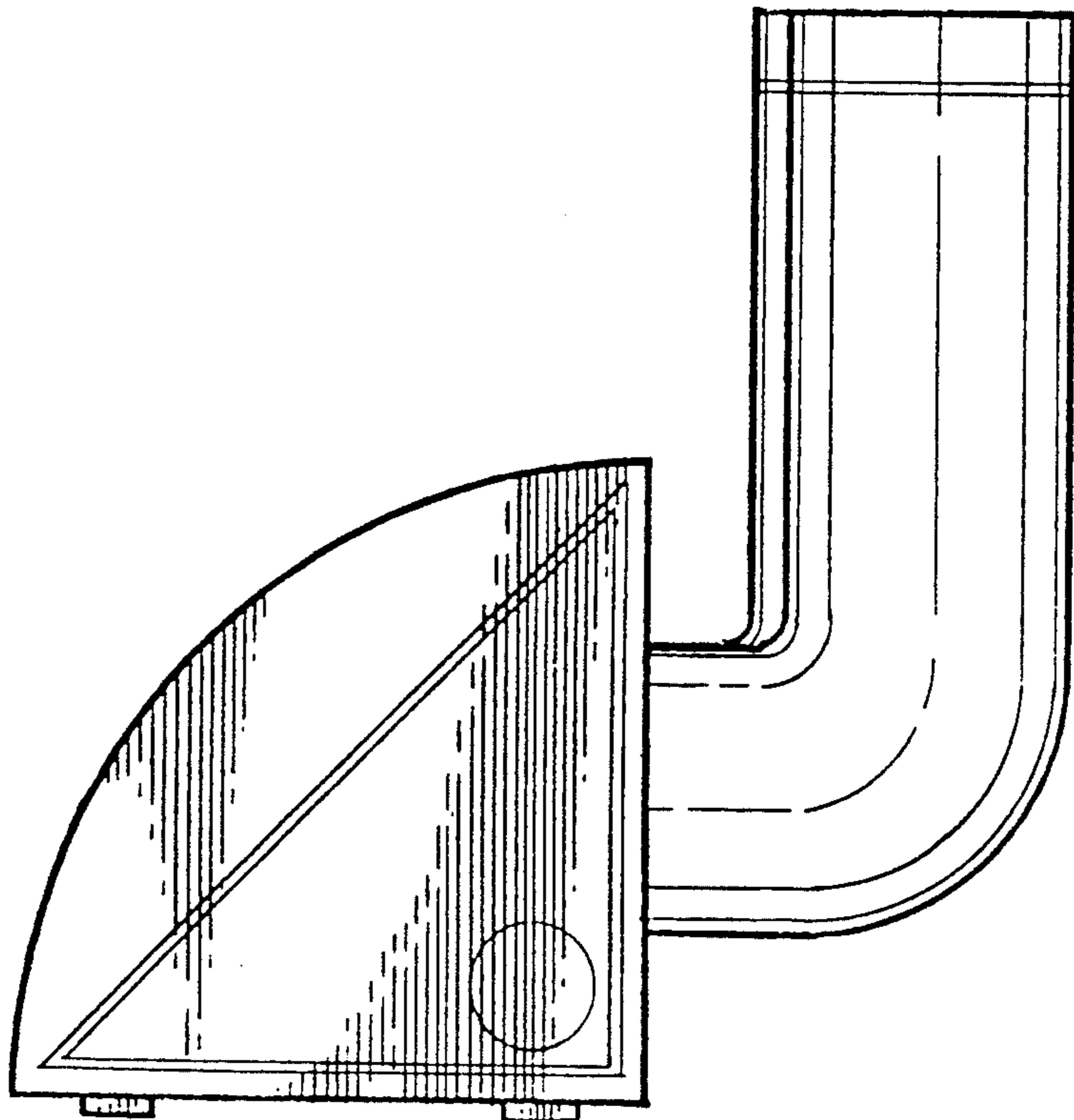


FIG. 4

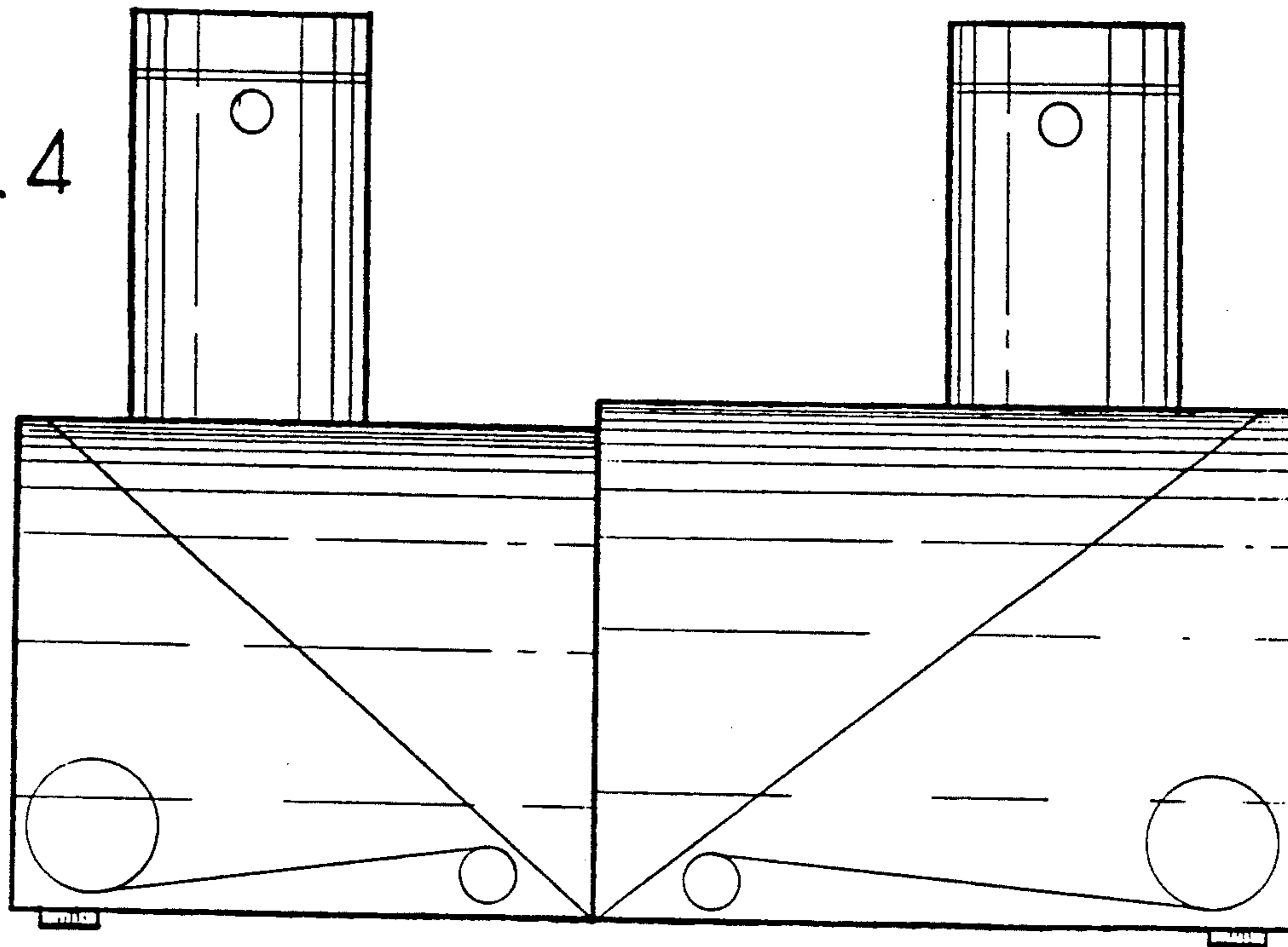


FIG. 5

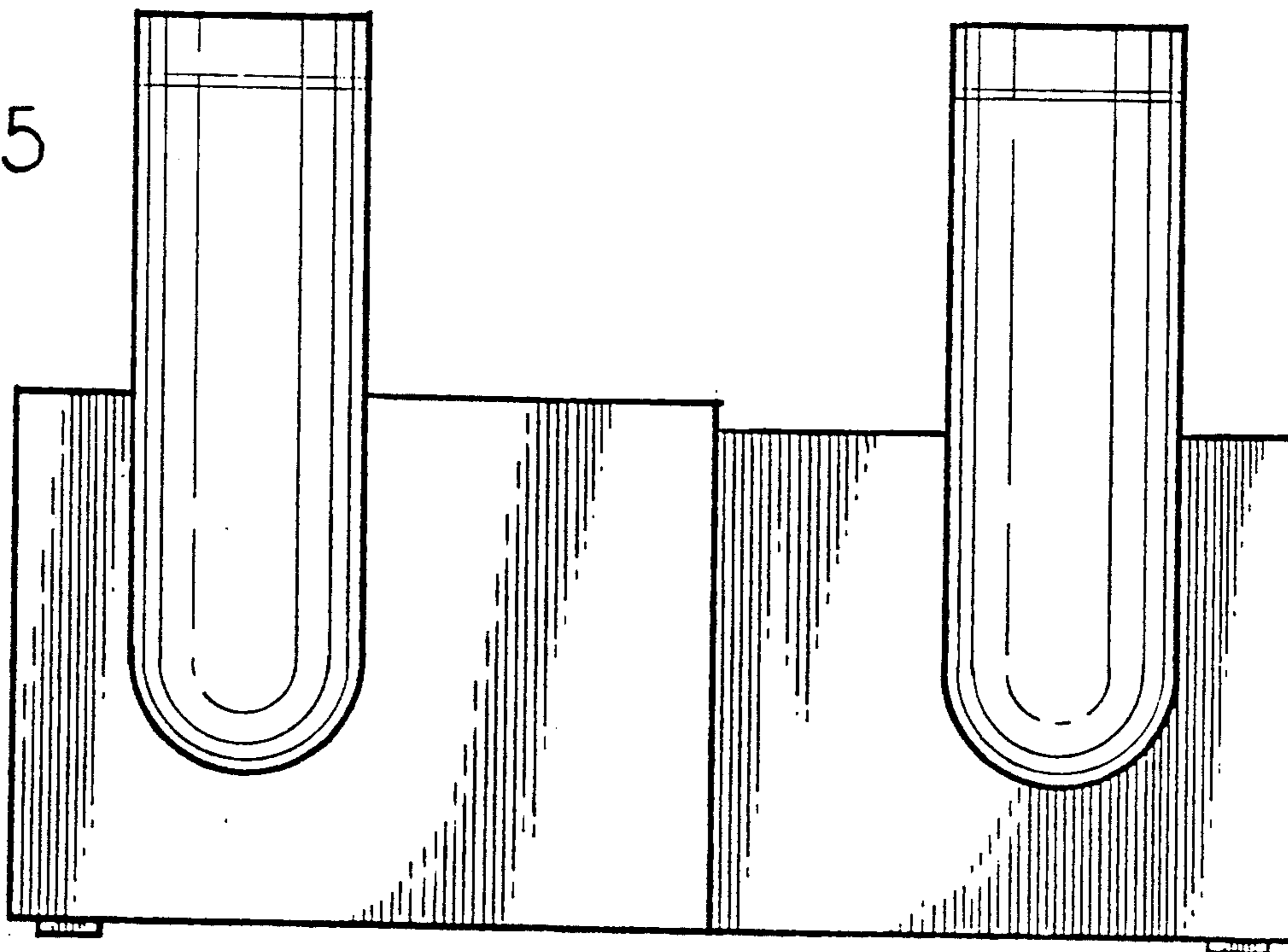


FIG. 6

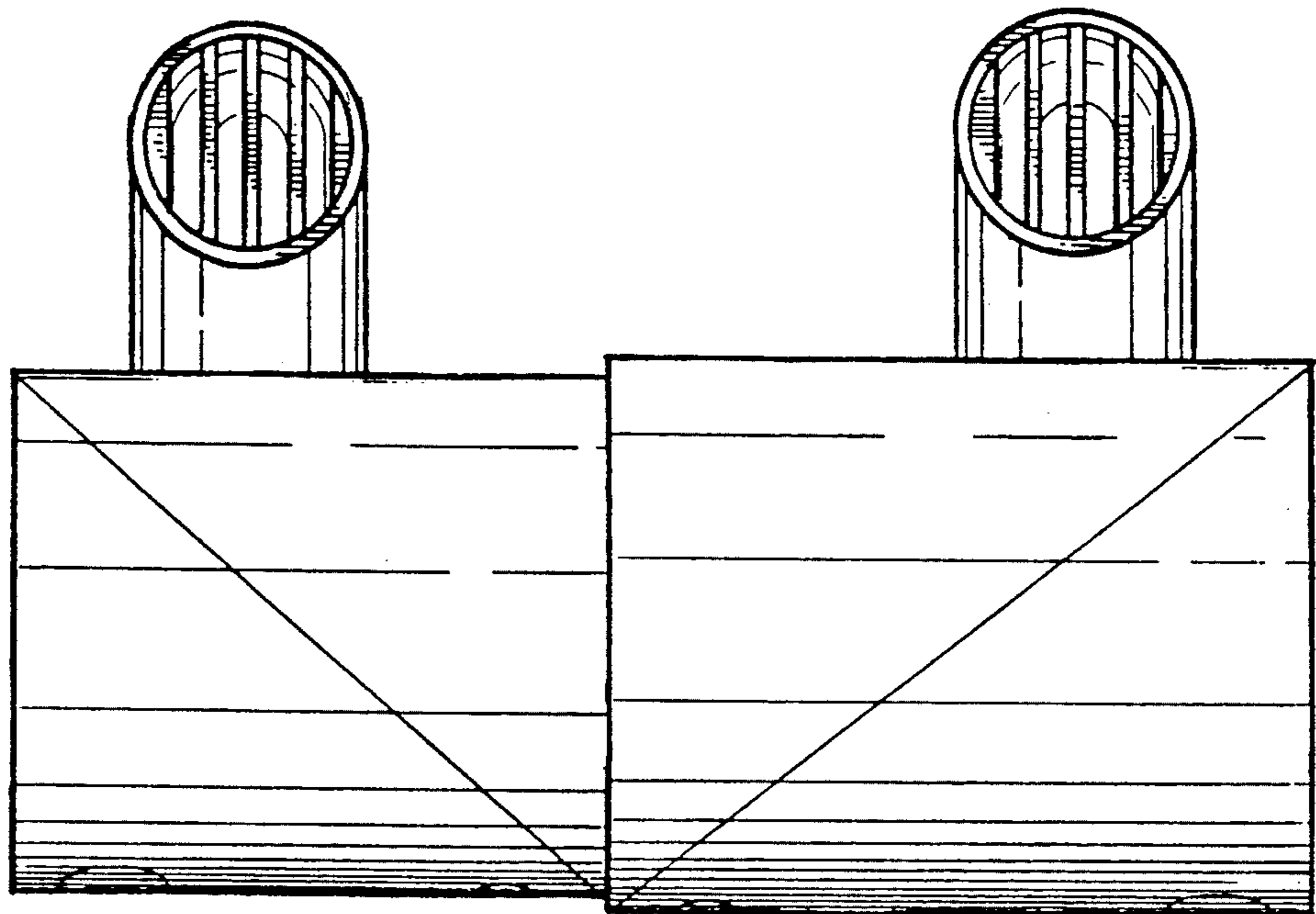


FIG. 7

