



US00D347092S

# United States Patent [19]

[11] Patent Number: **Des. 347,092**

Ravel

[45] Date of Patent: **\*\* May 17, 1994**

[54] **PLAYPEN FOR CATS**

[76] Inventor: **Randolph J. Ravel**, 1313 Good St., Reading, Pa. 19602

[\*\*] Term: **14 Years**

[21] Appl. No.: **894,240**

[22] Filed: **Jun. 9, 1992**

[52] U.S. Cl. .... **D30/160; D30/118**

[58] Field of Search ..... 119/15, 19-20, 119/28.5, 29; 217/65; 446/168; D6/331; 220/677, 683, 685, 4.28; D30/108-109, 118, 161; D22/63; D21/108; D25/58, 138, 152, 153, 156-158, 119-122, 113

4,010,888	3/1977	Gilbert	119/19
4,073,017	2/1978	Stevens	5/98.1
4,177,761	12/1979	Bellocchi, Jr.	119/29
4,576,116	3/1986	Binkert	119/29
4,869,206	9/1989	Spina	119/15
5,050,536	9/1991	Baker	119/15
5,148,768	9/1992	Hinton	119/15

### FOREIGN PATENT DOCUMENTS

3908241	9/1990	Fed. Rep. of Germany	119/29
677913	3/1930	France	220/4.28
2230416	10/1990	United Kingdom	119/20

*Primary Examiner*—Cathy Anne MacCormac  
*Attorney, Agent, or Firm*—Terry M. Gernstein

[56] **References Cited**

### U.S. PATENT DOCUMENTS

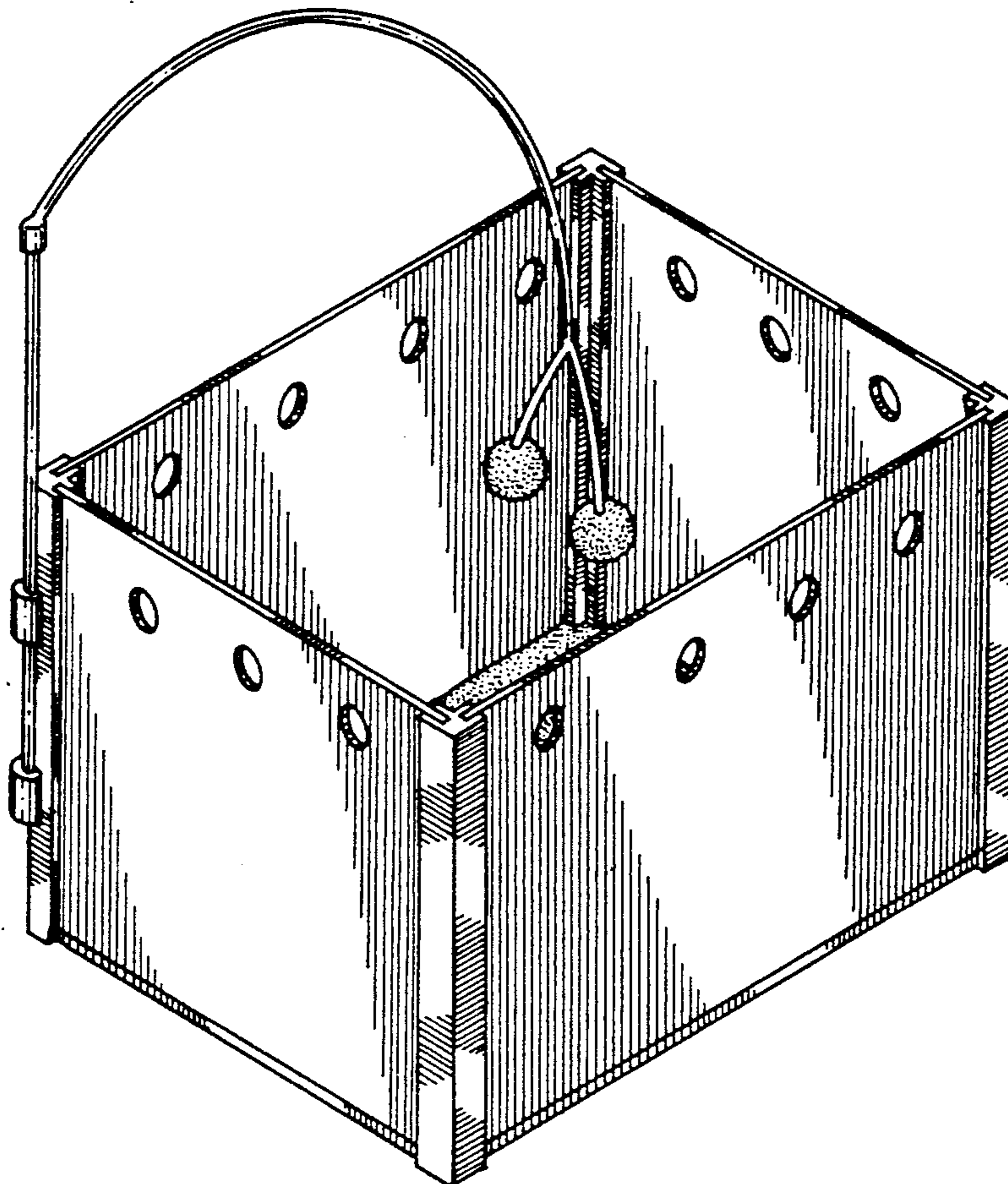
D. 298,577	11/1988	Faxon	D30/108
D. 331,649	12/1992	Saja	D30/161
D. 334,815	4/1993	Bunger	D25/113
195,871	10/1877	Zuenkeler	217/65
1,378,197	5/1921	Schwab	217/65
2,456,929	12/1948	Dee	220/685
3,266,656	8/1966	Kridle	220/4.28
3,474,472	10/1969	Hamilton, II	5/98.1
3,522,904	8/1970	Locke et al.	119/19
3,552,356	1/1971	Rosenthal	119/29
3,924,280	12/1975	Vaiano	5/99.1

[57] **CLAIM**

The ornamental design for a playpen for cats, as shown and described.

### DESCRIPTION

FIG. 1 is a perspective view of the playpen for cats embodying the design of the present invention; FIG. 2 is a side elevational view thereof; FIG. 3 is a side elevational view thereof; FIG. 4 is a top plan view thereof; FIG. 5 is a bottom view thereof; FIG. 6 is a front end elevational view thereof; and, FIG. 7 is a rear end elevational view thereof.



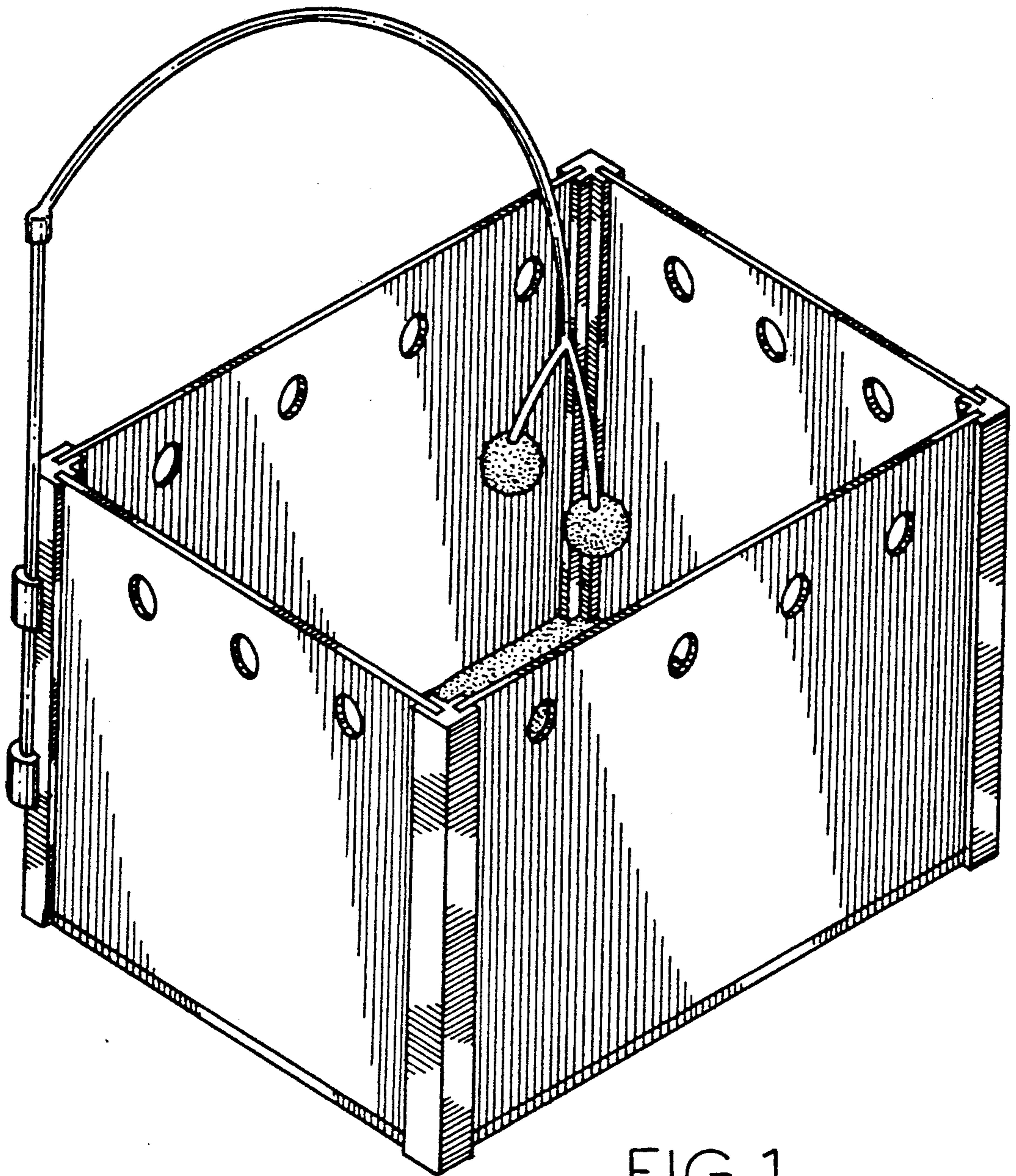


FIG. 1.

FIG. 4.

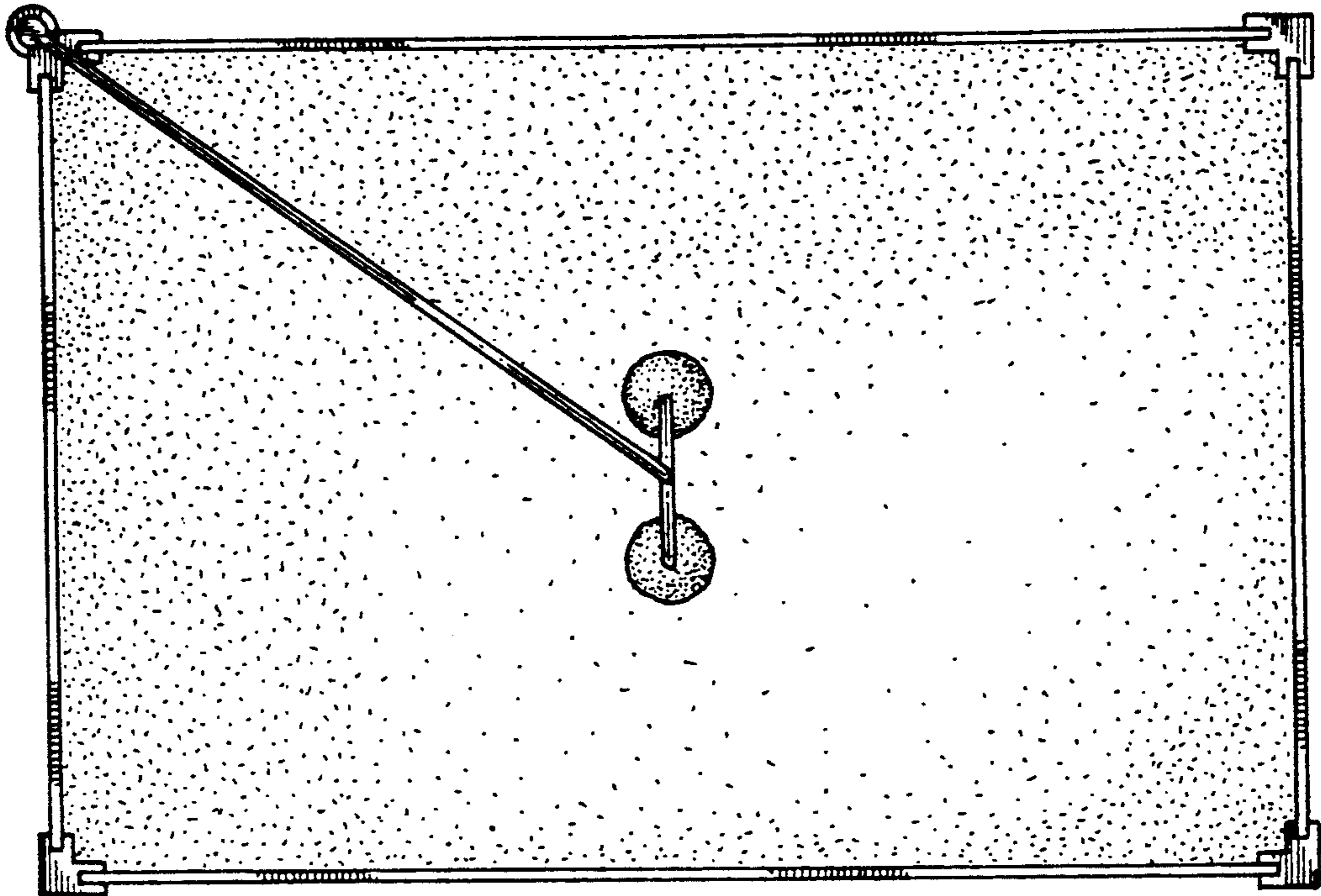


FIG. 2.

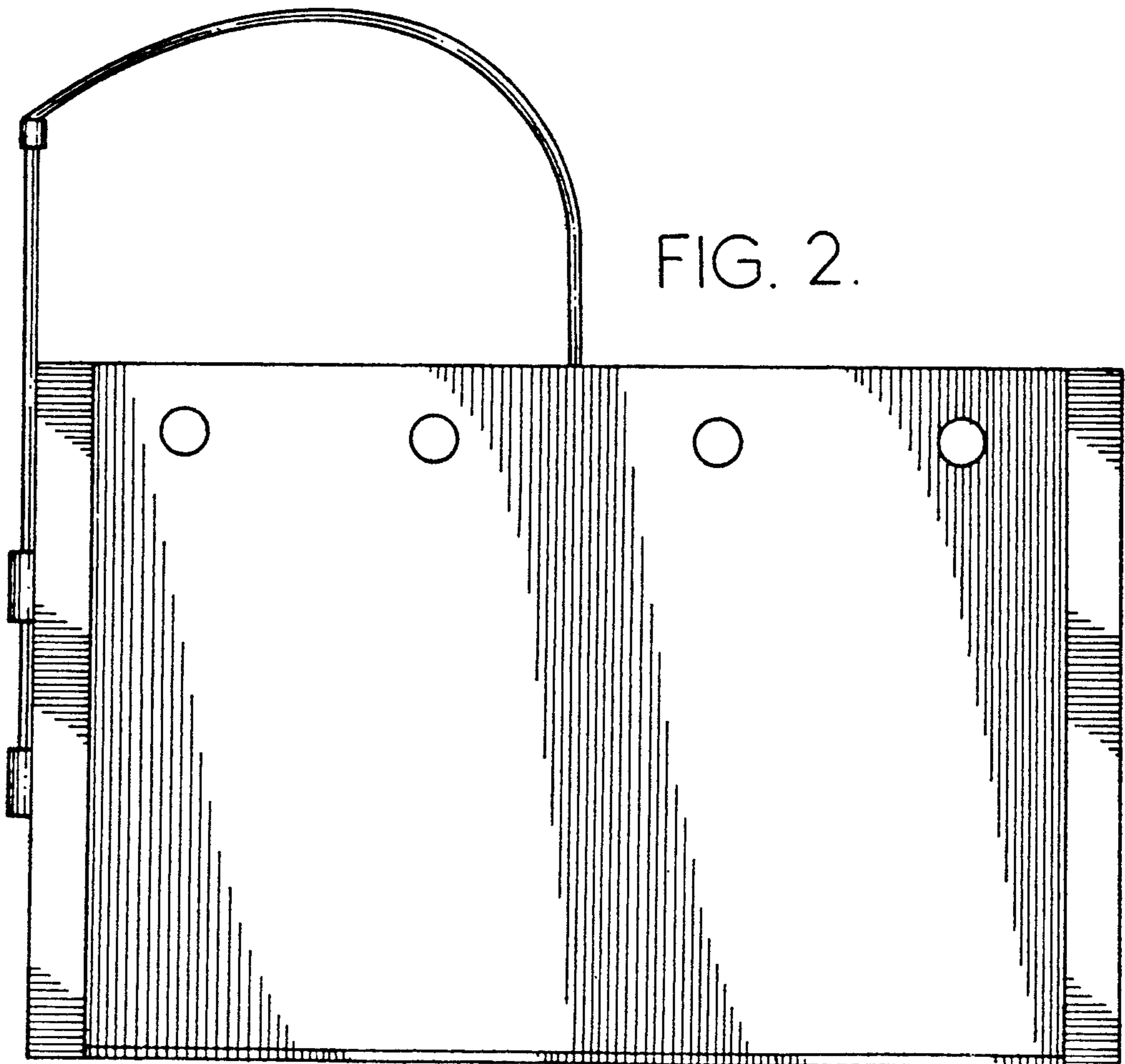


FIG. 5.

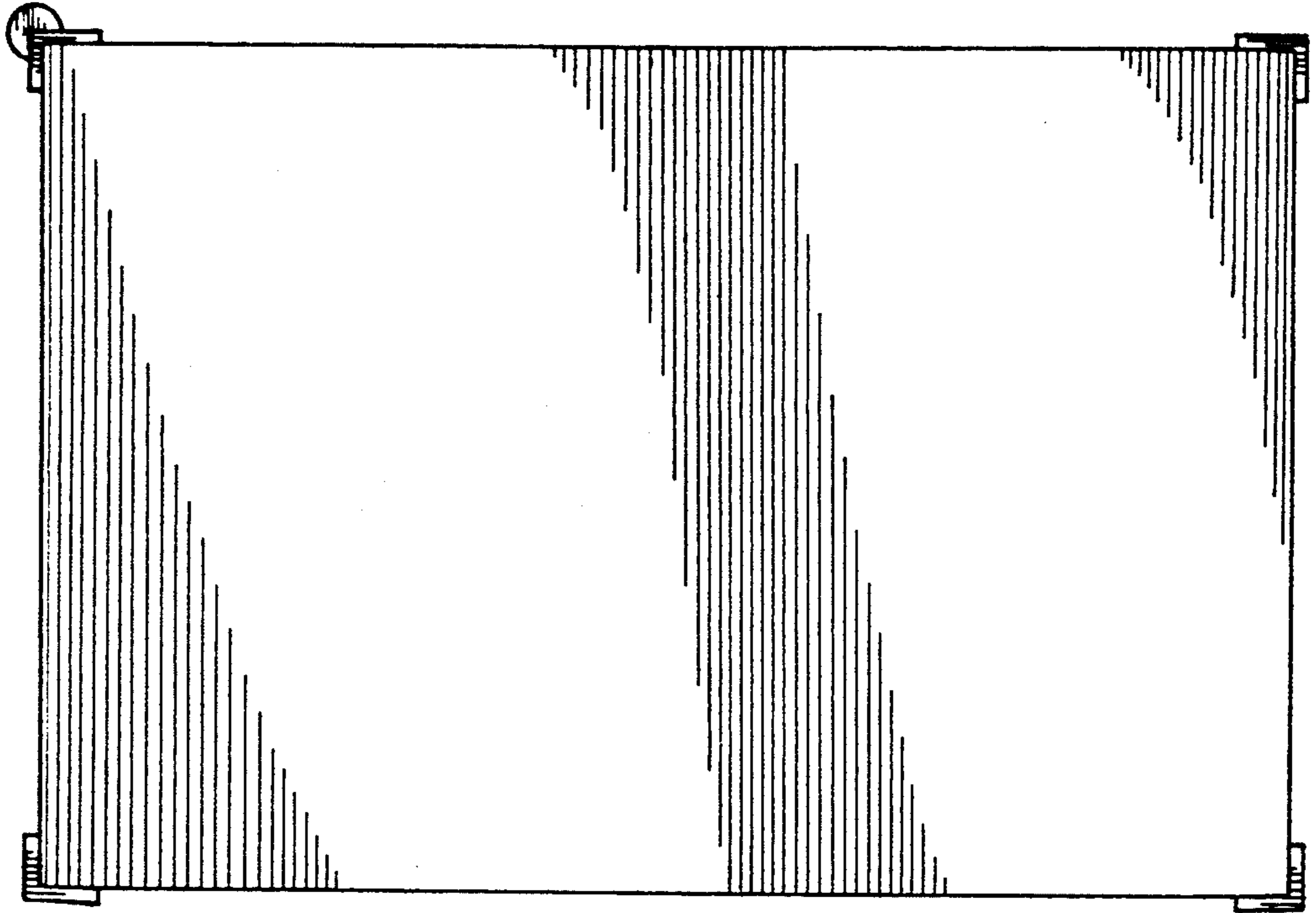


FIG. 3.

