



US00D347091S

United States Patent [19]
Cardwell

[11] **Patent Number: Des. 347,091**
[45] **Date of Patent: ** May 17, 1994**

[54] **AQUARIUM**

[76] **Inventor: Eric D. Cardwell, 15419 N. 39th St., Phoenix, Ariz. 85032**

[**] **Term: 14 Years**

[21] **Appl. No.: 3,117**

[22] **Filed: Dec. 28, 1992**

[52] **U.S. Cl. D30/102**

[58] **Field of Search 119/245, 253, 265-267; D30/101-107; D14/142-149; D59/34-35**

Evans Catalog; p. 7; item 17-Aquatank Crayola Nitelite Aquarium.

Taylor Gifts Catalog; p. 4; item #8104-Garfield Aquarium.

MarKline 1988 Holiday Catalog; p. 4; Item D-acrylic phone.

Primary Examiner—Cathy Anne MacCormac
Attorney, Agent, or Firm—Gregory J. Nelson

[57] **CLAIM**

The ornamental design for an aquarium, as shown and described.

[56] **References Cited**

U.S. PATENT DOCUMENTS

D. 185,831	8/1959	Kaake	D30/101
D. 194,793	3/1963	Perl et al.	D30/101
D. 261,153	10/1981	Cathey	D30/107
D. 289,219	4/1987	Treras et al.	D99/35
D. 299,565	1/1989	Lee Hsu	D30/102
D. 317,369	6/1991	Tominaga	D30/107
D. 317,517	6/1991	DeLuna	D30/102
3,913,526	10/1975	Hall	D30/107
5,121,427	6/1992	Gumb et al.	D14/149

OTHER PUBLICATIONS

Best Catalog; p. 39, items 9+10 aquariums.

DESCRIPTION

FIG. 1 is a perspective view showing the aquarium of my design;

FIG. 2 is a top view thereof;

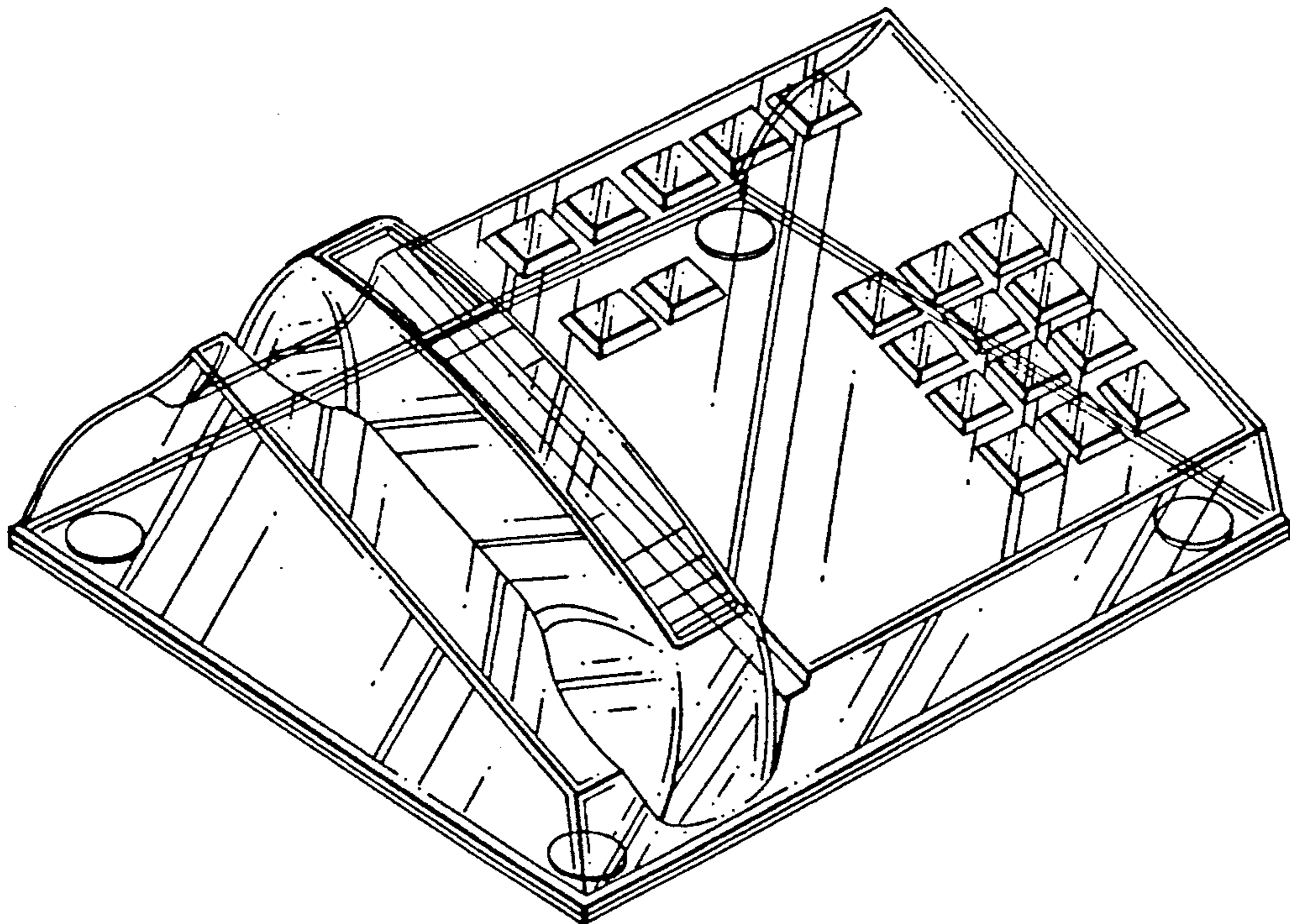
FIG. 3 is a bottom view showing the aquarium of my design;

FIG. 4 is a view as seen from the left side of FIG. 1 showing the aquarium of my design;

FIG. 5 is a view taken from the right side of FIG. 1 showing the aquarium of my design;

FIG. 6 is a front view showing the aquarium of my design; and,

FIG. 7 is a rear view showing the aquarium of my design.



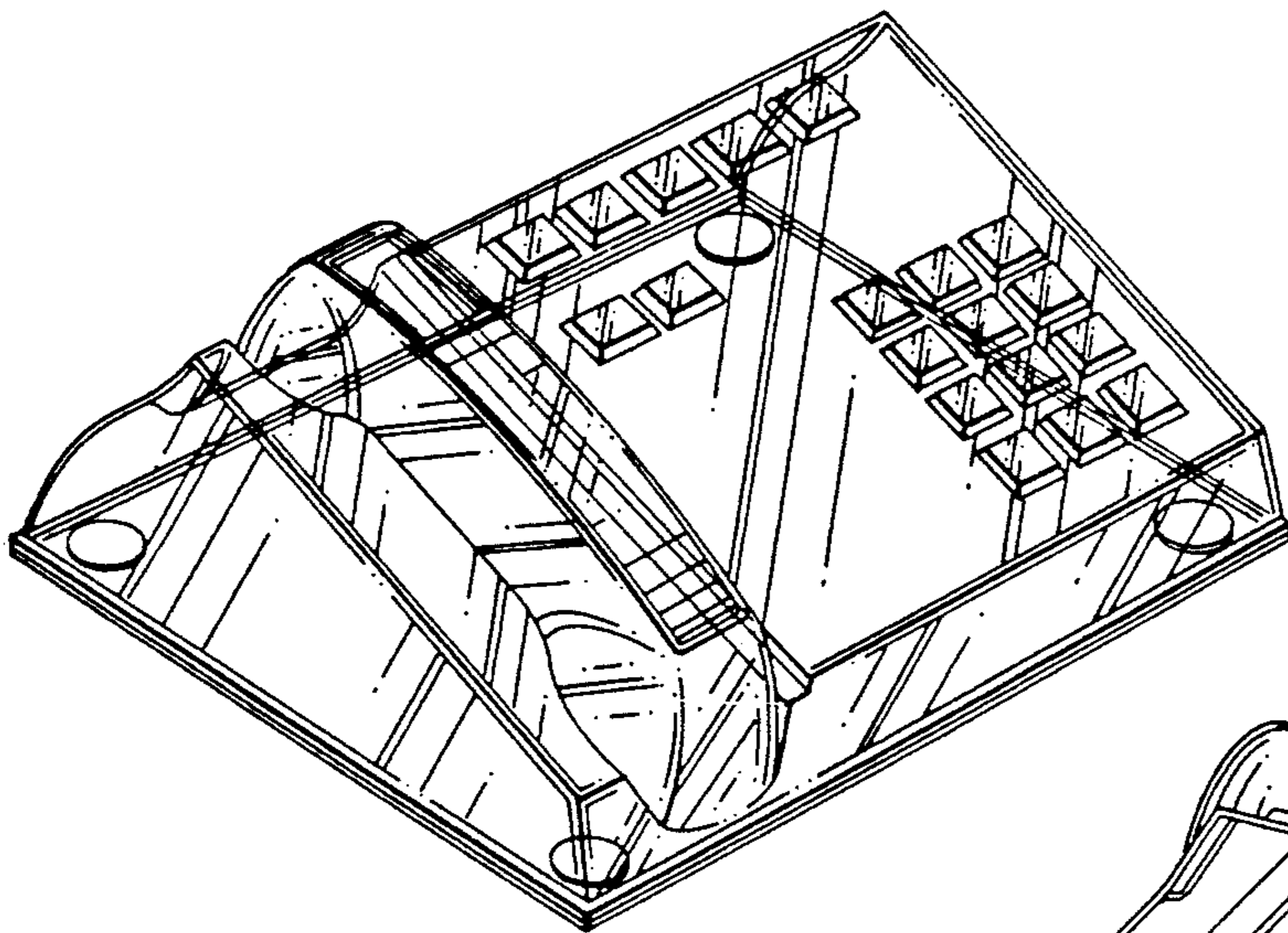


FIG. 1

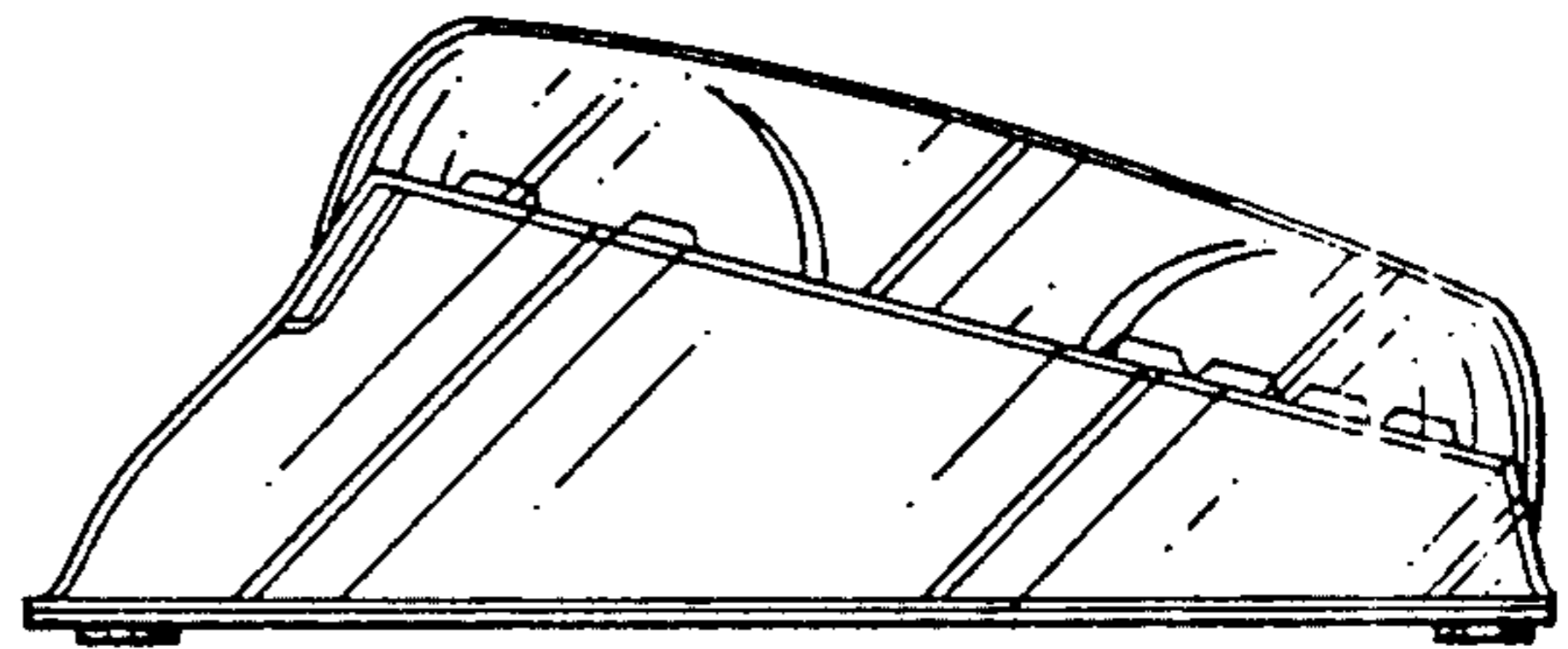


FIG. 4

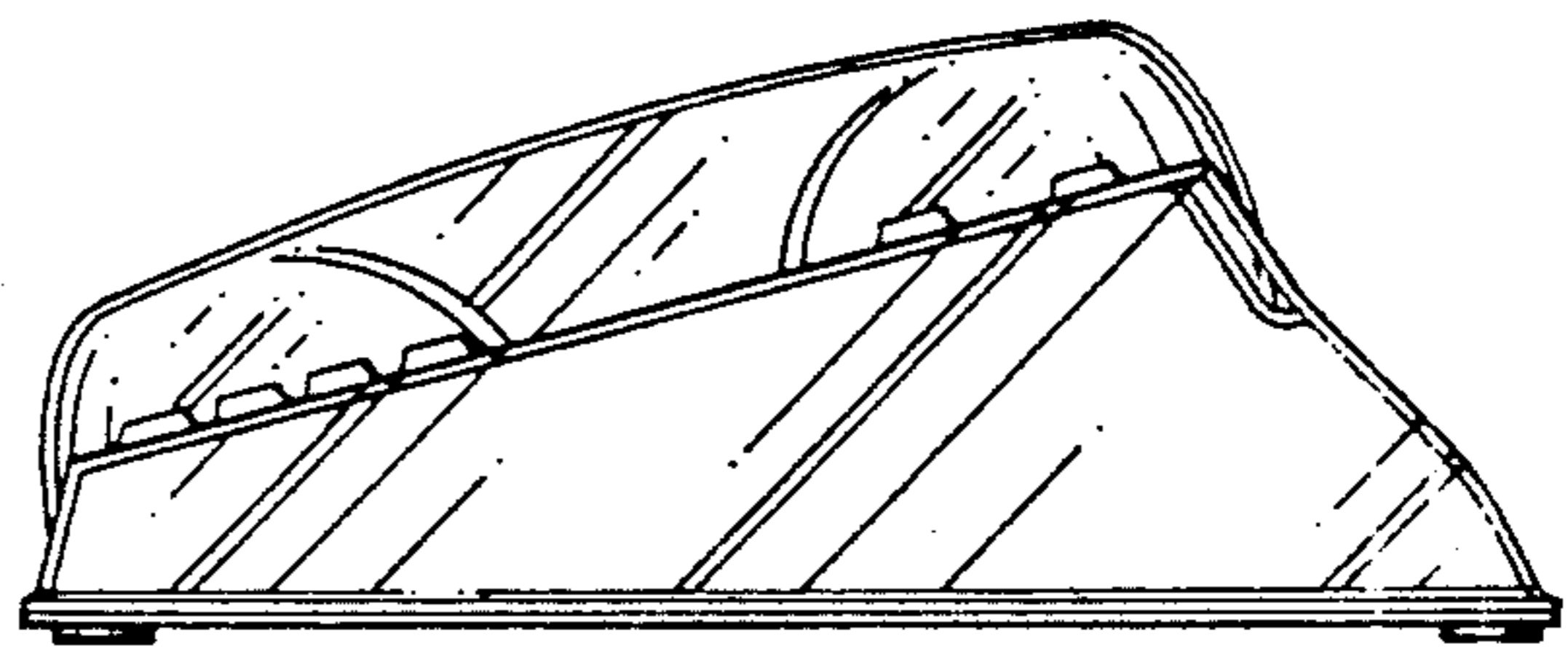


FIG. 5

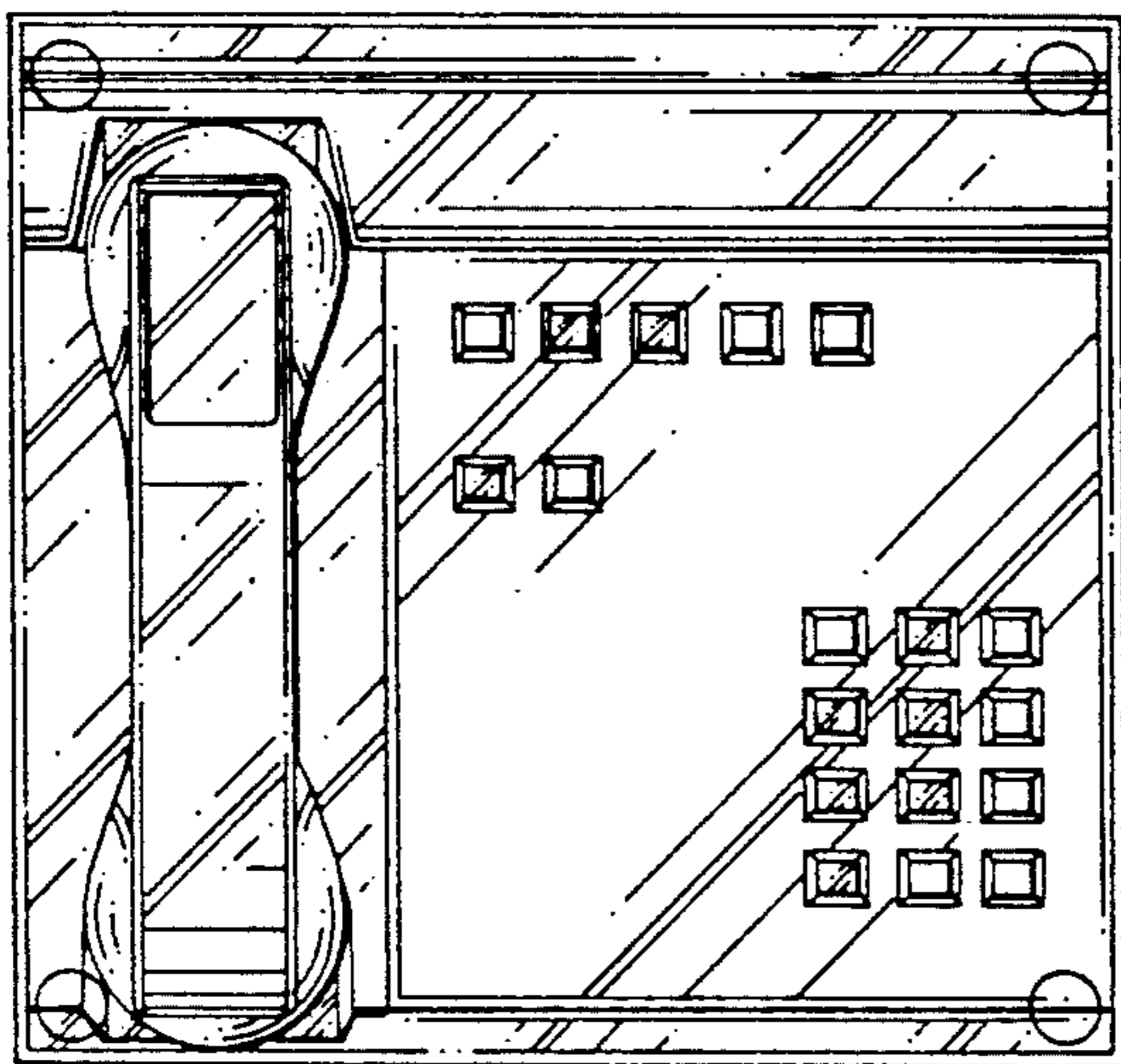


FIG. 2

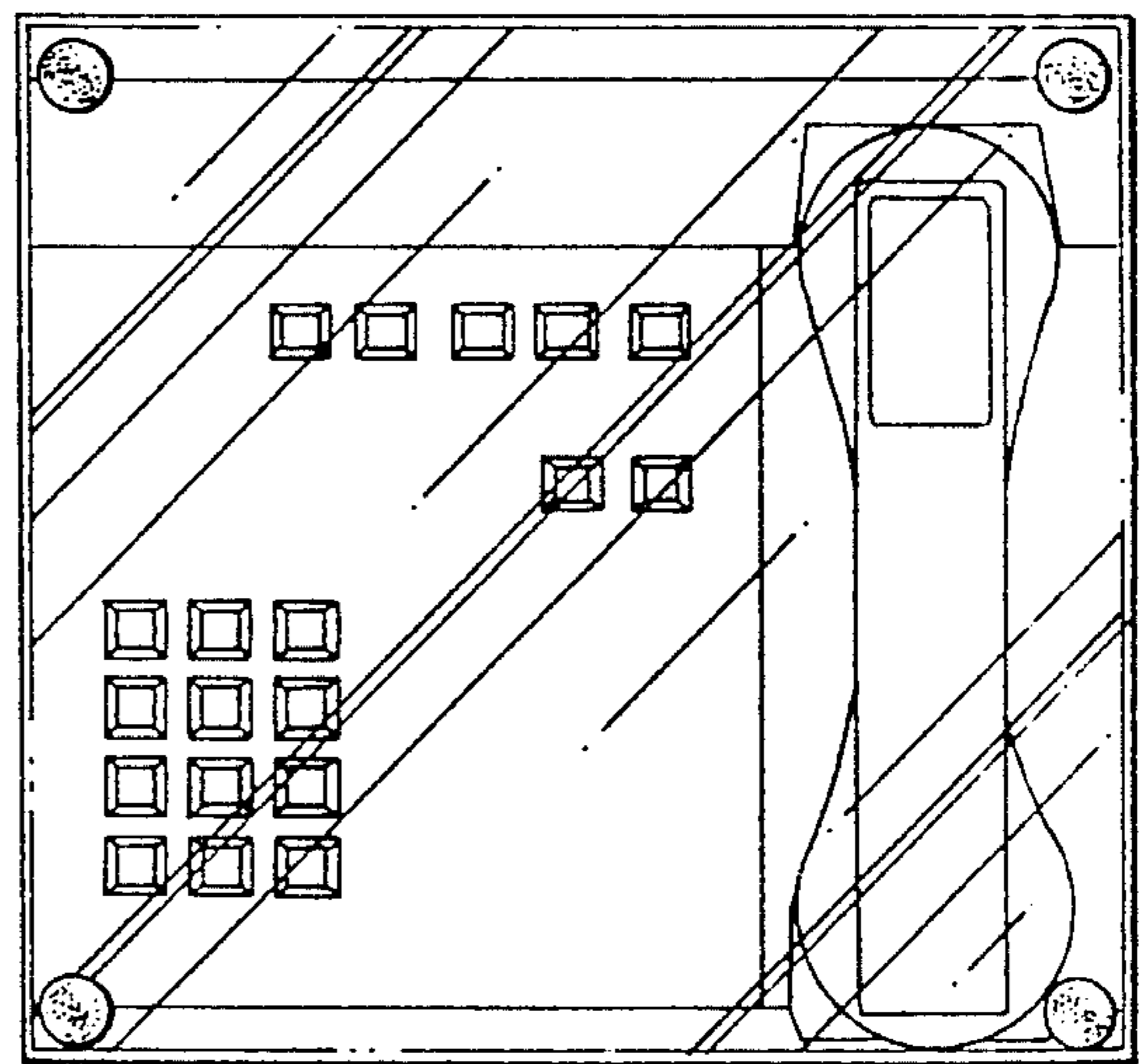


FIG. 3

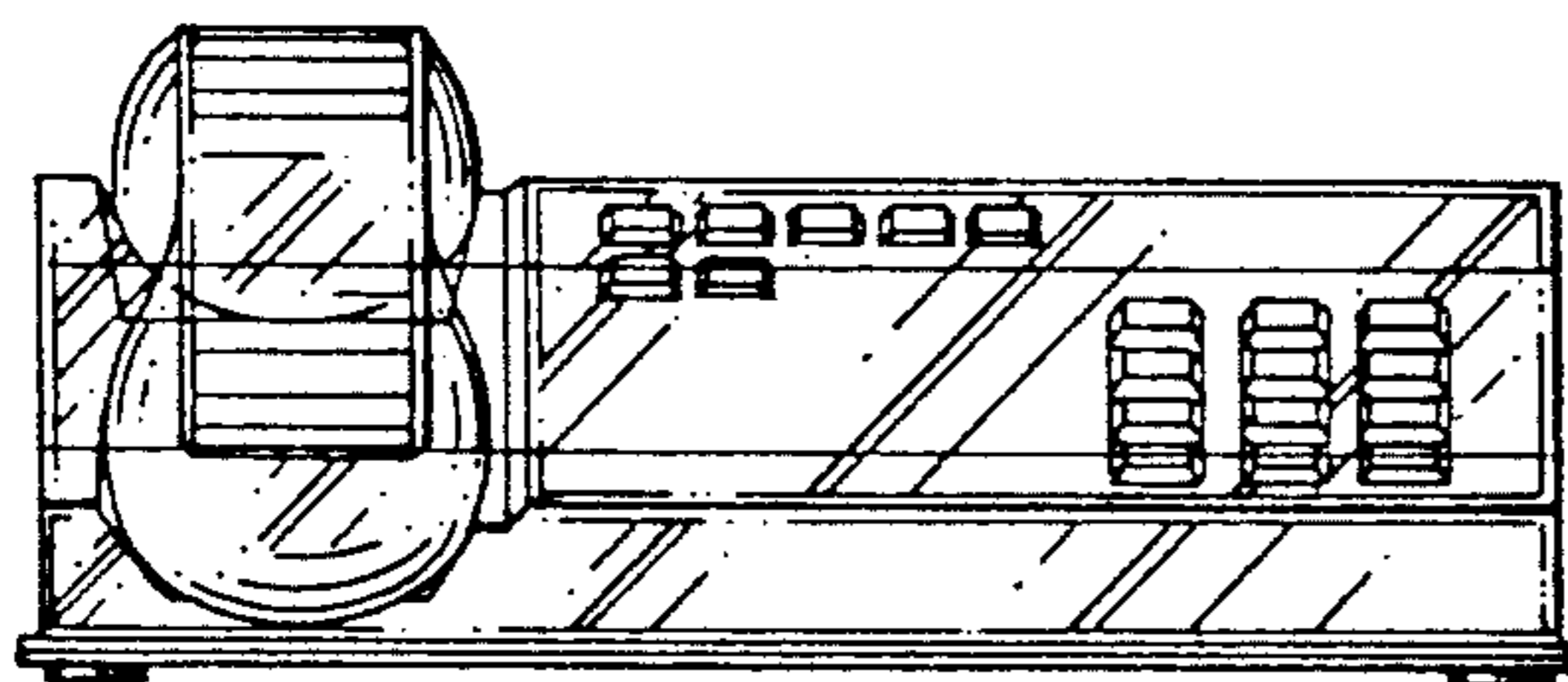


FIG. 6

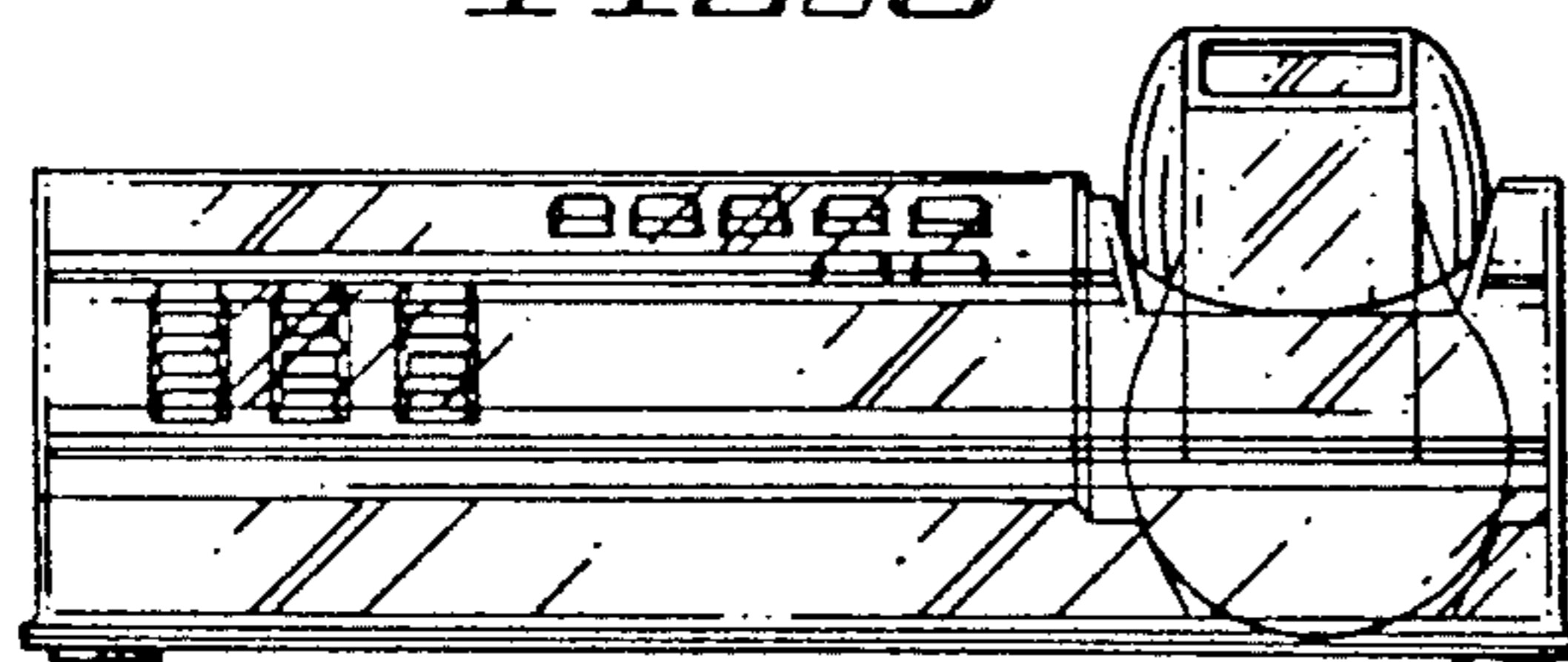


FIG. 7