



US00D347089S

# United States Patent [19]

[11] Patent Number: **Des. 347,089**

Byars et al.

[45] Date of Patent: \*\* May 17, 1994

## [54] COSMETIC COMPACT

[75] Inventors: **Tammye Byars, Cordova; Jerry W. Bonnot, Memphis; John M. B. Ford, Cordova, all of Tenn.**

[73] Assignee: **Maybelline, Inc., Memphis, Tenn.**

[\*\*] Term: **14 Years**

[21] Appl. No.: **779,604**

[22] Filed: **Oct. 21, 1991**

[52] U.S. Cl. .... **D28/83**

[58] Field of Search ..... **D9/341, 347, 418, 420, D9/423; 132/293, 294, 297, 313-317; 206/235, 581, 823; D28/76-84**

## [56] References Cited

### U.S. PATENT DOCUMENTS

D. 280,450	9/1985	Schefer	.....	D28/28
D. 291,609	8/1987	Bakic	.....	D28/83
D. 293,724	1/1988	Kingsford et al.	.....	D28/83
D. 295,452	4/1988	Bakic	.....	D28/83
D. 303,582	9/1989	Gavin	.....	D28/78
D. 321,416	11/1991	Bakic	.....	D28/83
D. 324,582	3/1992	DiNuccio	.....	D28/78

### OTHER PUBLICATIONS

"Vogue", May 1988, p. 45—compact in lower right corner.

"D & C.I" Apr. 1986, p. 66; left center of page: open compacts.

Avon campaign 3 of 1989, p. 33; duo, trio & quad silk finish compacts; and duo powder blush compact.

"Mademoiselle", Jun. 1989, compact on lower right.

"Mademoiselle", Dec. 1989, p. 16 compacts at center & bottom of page.

Beautiful Visions advertising circular; p. 24: compact w/brush at center.

"Vogue," Sep. 1990, p. 105: compact on lower right.

*Primary Examiner*—B. J. Bullock

*Assistant Examiner*—C. Tuttle

*Attorney, Agent, or Firm*—Sherman and Shalloway

## [57] CLAIM

The ornamental design for a cosmetic compact, as shown and described.

## DESCRIPTION

FIG. 1 is a top plan view of a cosmetic compact showing our new design;

FIG. 2 is a top plan view of a second modified embodiment;

FIG. 3 is a top plan view of a third modified embodiment;

FIG. 4 is a front elevational view of all embodiments;

FIG. 5 is a rear elevational view of all embodiments;

FIG. 6 is a left side elevational view of all the embodiments, the side opposite being a mirror image of the side shown;

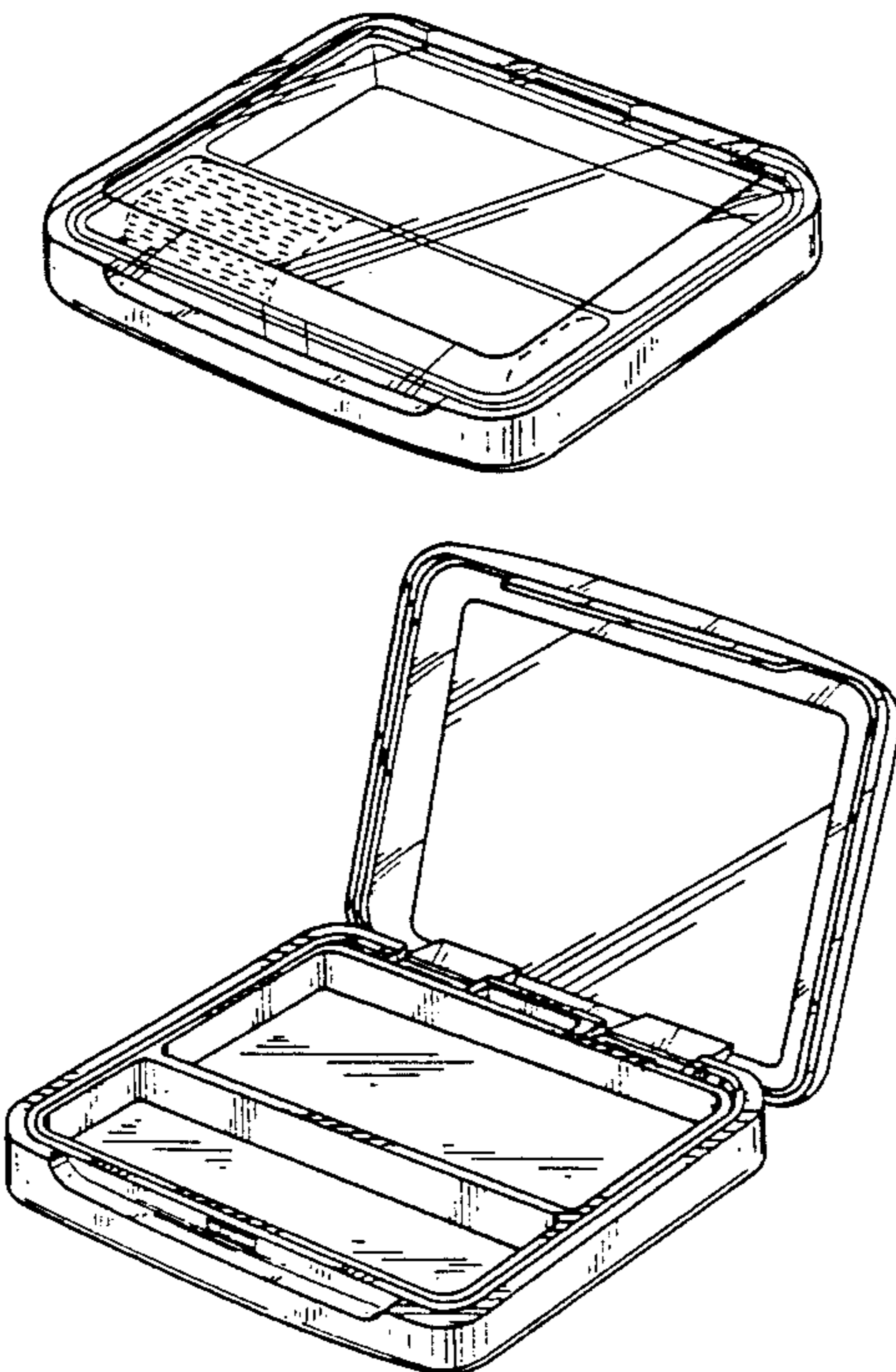
FIG. 7 is a bottom plan view of all embodiments;

FIG. 8 is a perspective view of the first disclosed embodiment; and,

FIG. 9 is a perspective view thereof shown in an open condition.

The broken line showing of the makeup brush is for illustrative purposes only and forms no part of the claimed design.

The partially disclosed embodiments represented in FIGS. 2 and 3 are identical in all respects to the first disclosed embodiment, except for the arrangement of the interior compartments.



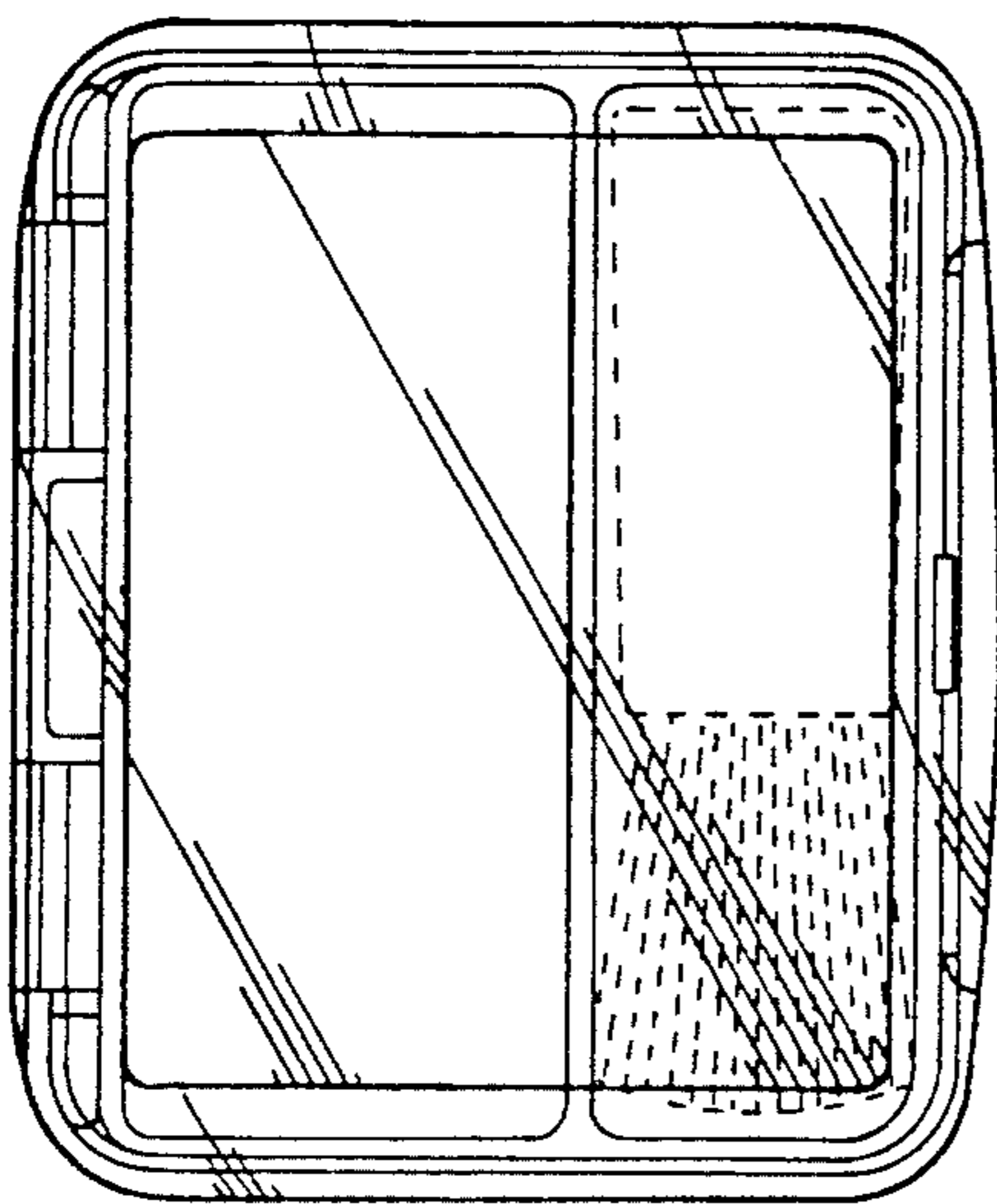


FIG. 1

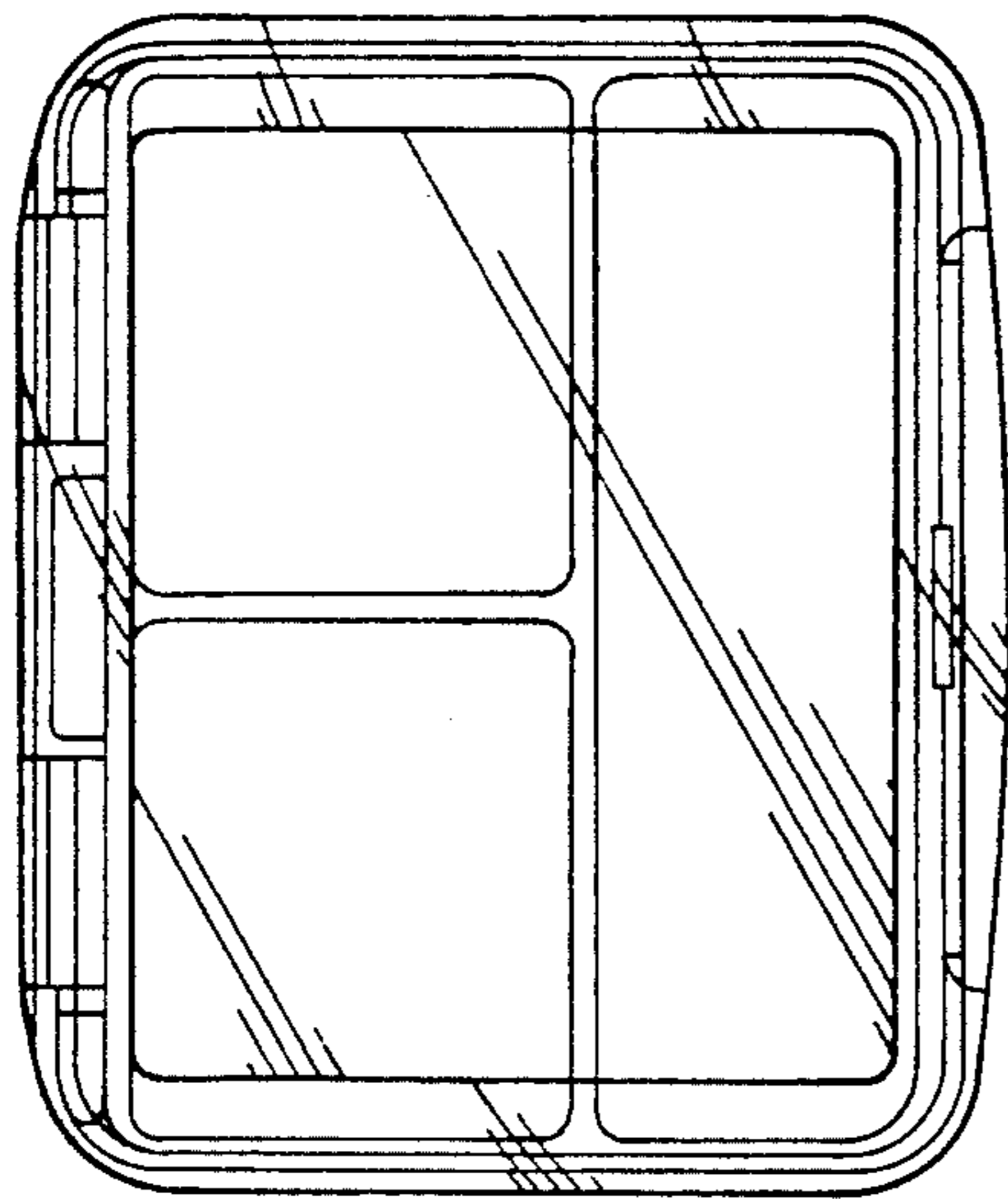


FIG. 2

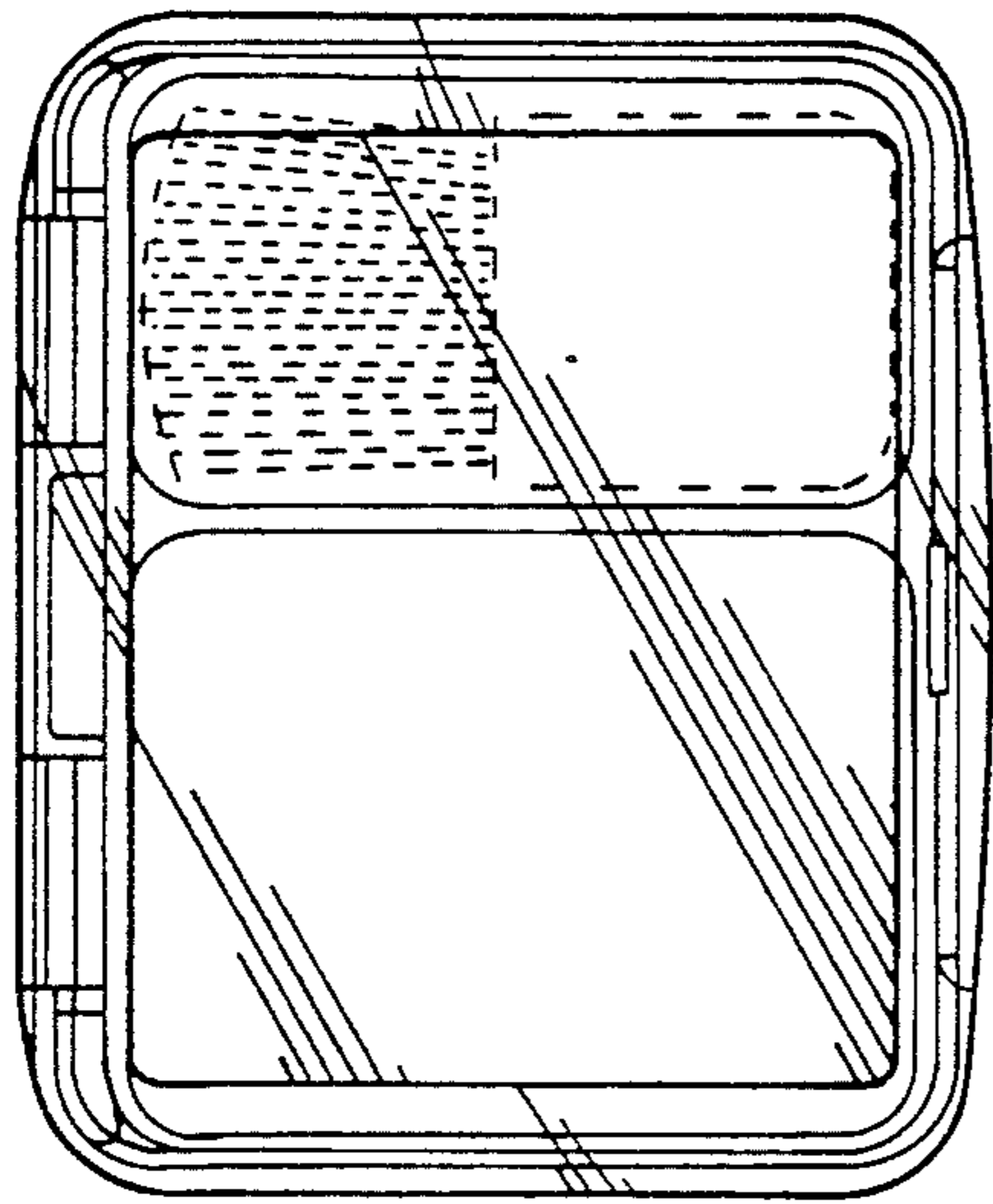


FIG. 3

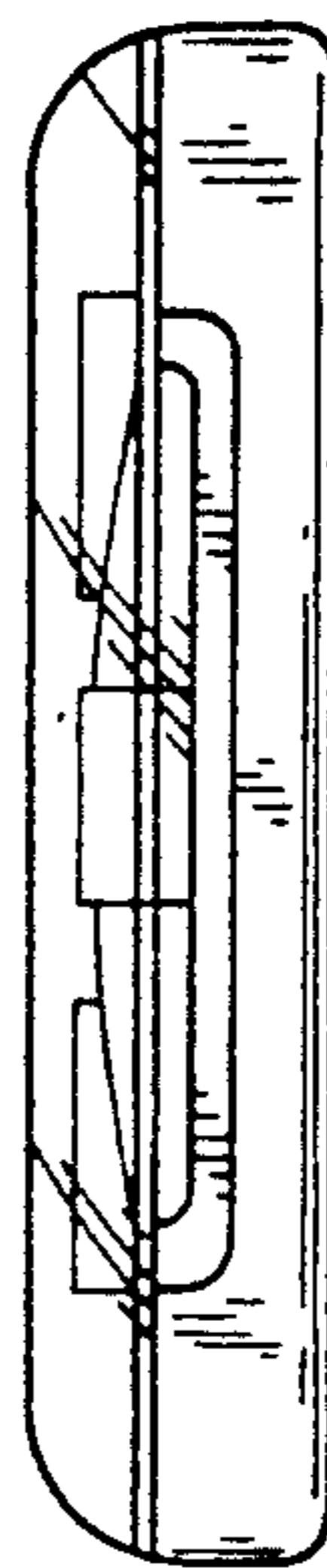


FIG. 4



FIG. 5

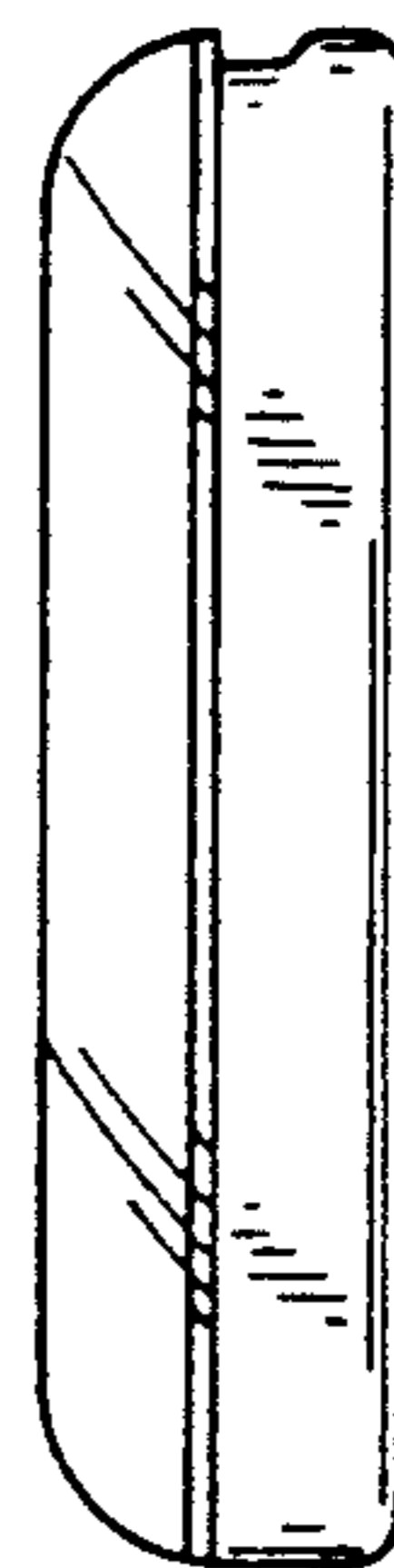


FIG. 6

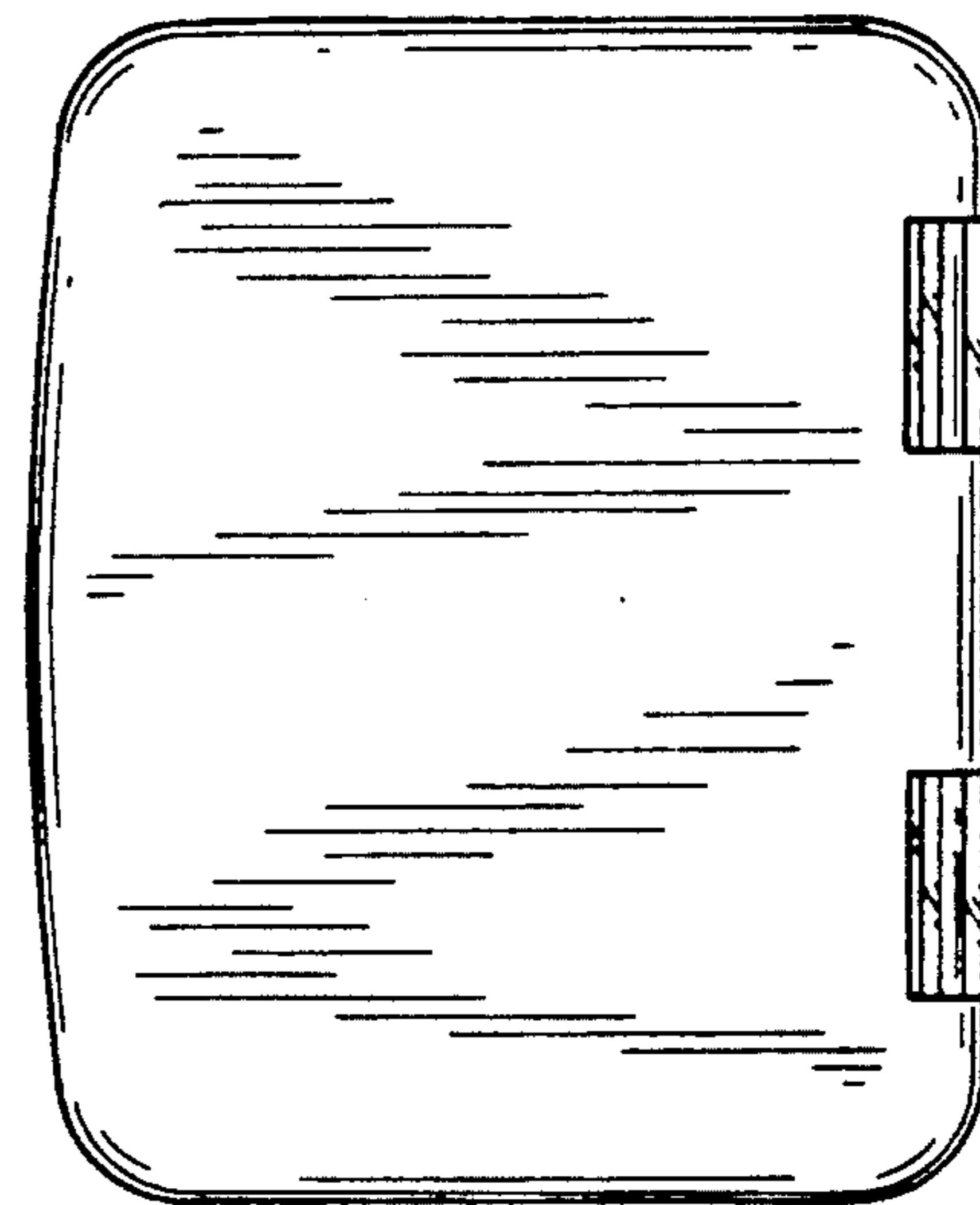


FIG. 7

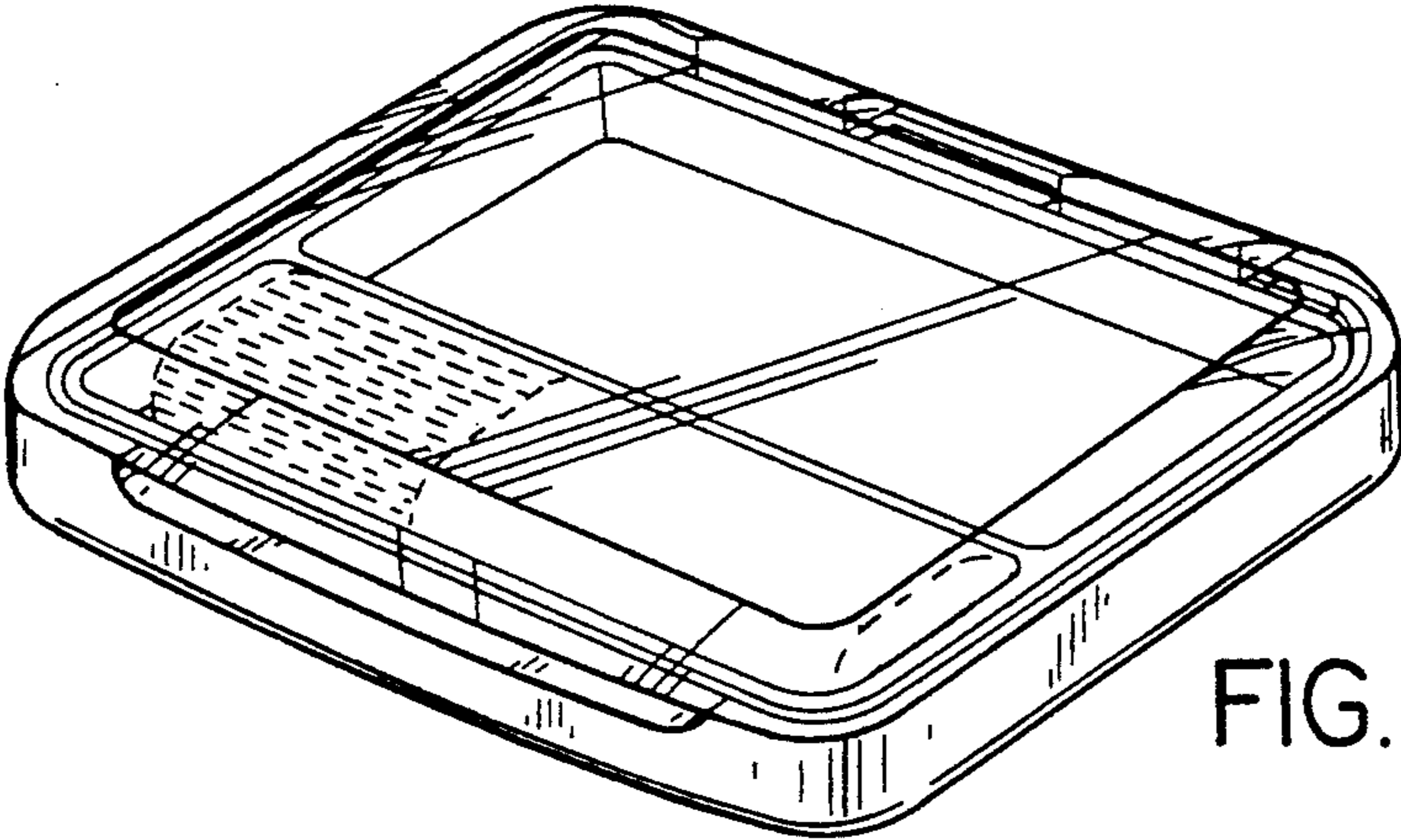


FIG. 8

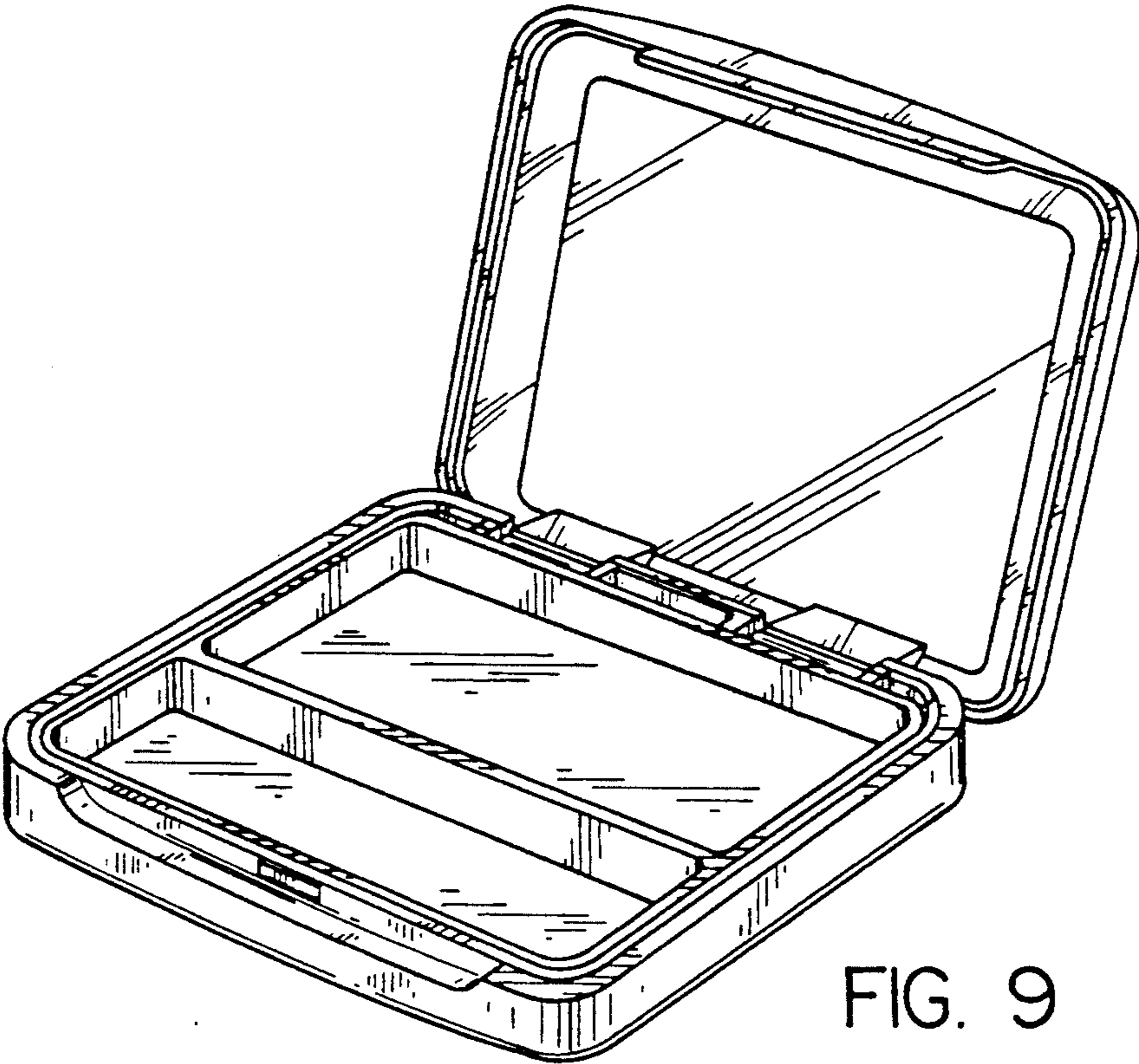


FIG. 9