



US00D347087S

# United States Patent [19] Griffin

[11] Patent Number: **Des. 347,087**

[45] Date of Patent: **\*\* May 17, 1994**

- [54] **ELECTRIC NAIL FILE**
- [76] Inventor: **A. L. Griffin**, Rte. 5 Box 547, Laurel, Miss. 39440
- [\*\*] Term: **14 Years**
- [21] Appl. No.: **882,108**
- [22] Filed: **May 14, 1992**
- [52] U.S. Cl. .... **D28/58; D8/62; D28/59**
- [58] Field of Search ..... **D8/62; 30/26; 132/73.6, 132/76.4, 75.8; 51/109 R, 134.5 R; D28/58, 59, 57**

4,408,623	10/1983	Murray .....	132/73.6
4,753,253	6/1988	Hutson .....	132/73.6
5,033,485	7/1991	Hauerwas .....	132/73.6
5,161,552	11/1992	Kathuria .....	132/75.8

*Primary Examiner*—B. J. Bullock  
*Attorney, Agent, or Firm*—Terry M. Gernstein

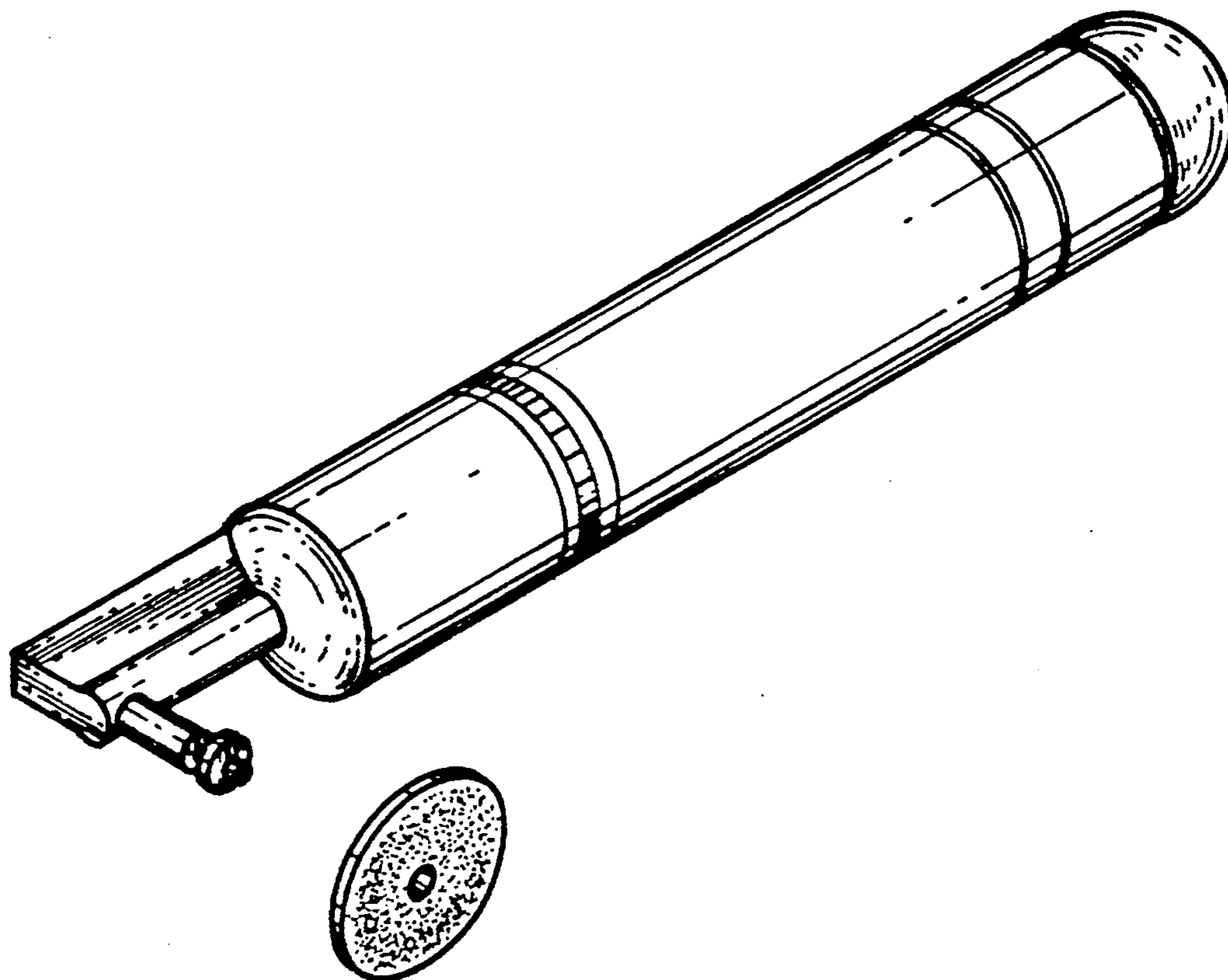
### [57] CLAIM

The ornamental design for an electric nail file, as shown and described.

### DESCRIPTION

FIG. 1 is an exploded front, top and side perspective view of the electric nail file embodying the present design;  
 FIG. 2 is a front end elevational view thereof;  
 FIG. 3 is a rear end elevational view thereof;  
 FIG. 4 is a left side elevational view thereof;  
 FIG. 5 is a right side elevational view thereof; and,  
 FIG. 6 is a top plan view thereof, the bottom view being a mirror image.

- [56] **References Cited**
- U.S. PATENT DOCUMENTS**
- 2,504,795 4/1950 Biasi ..... 132/75.8
- 2,597,526 5/1952 Kessler ..... D28/57
- 2,861,578 11/1958 Thompson ..... 30/26
- 3,169,536 2/1965 Caracciolo, Sr. .... 132/73.6



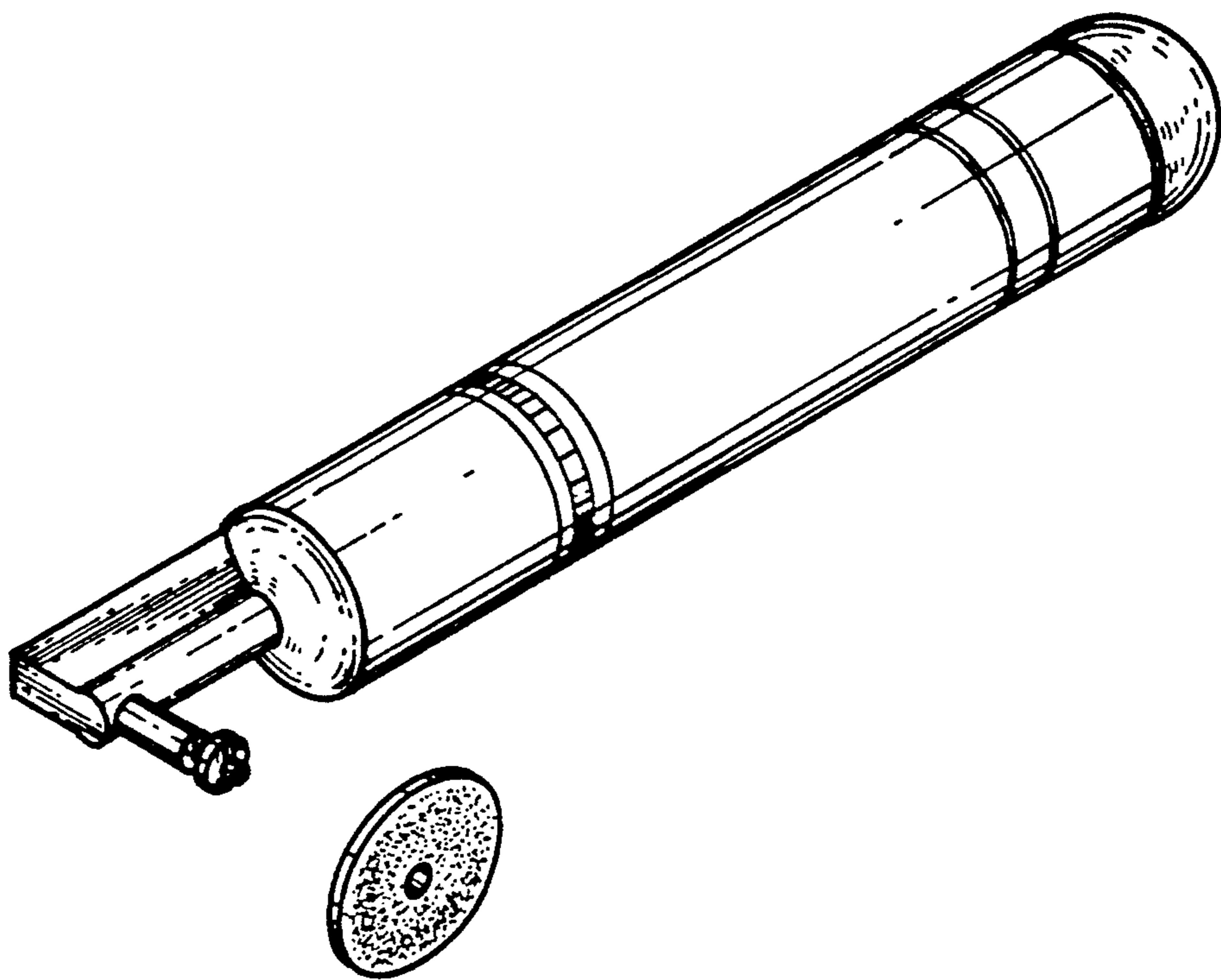


FIG. 1

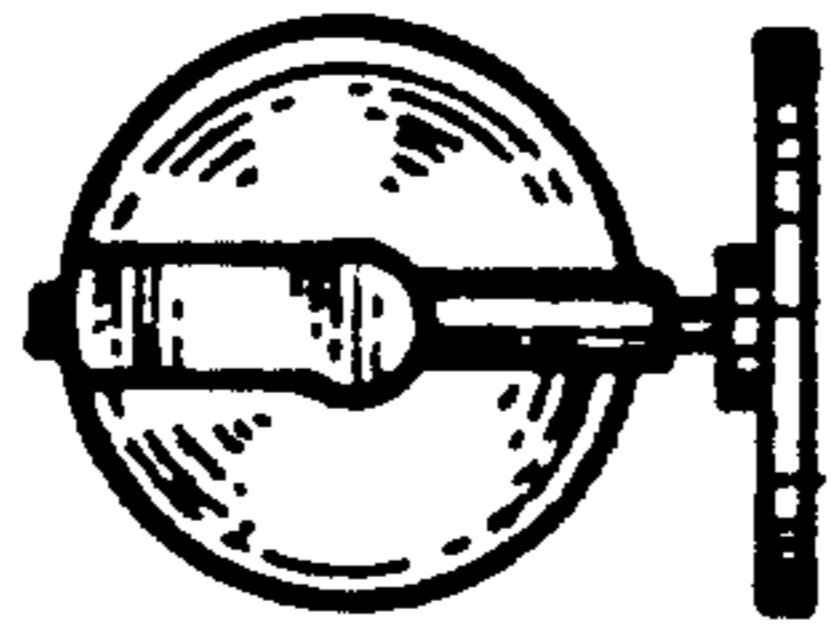


FIG. 2

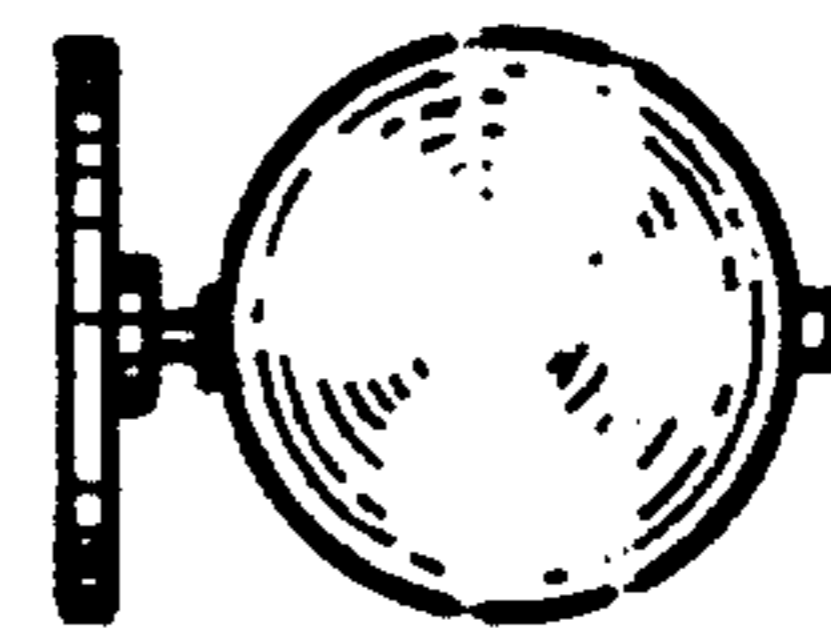


FIG. 3

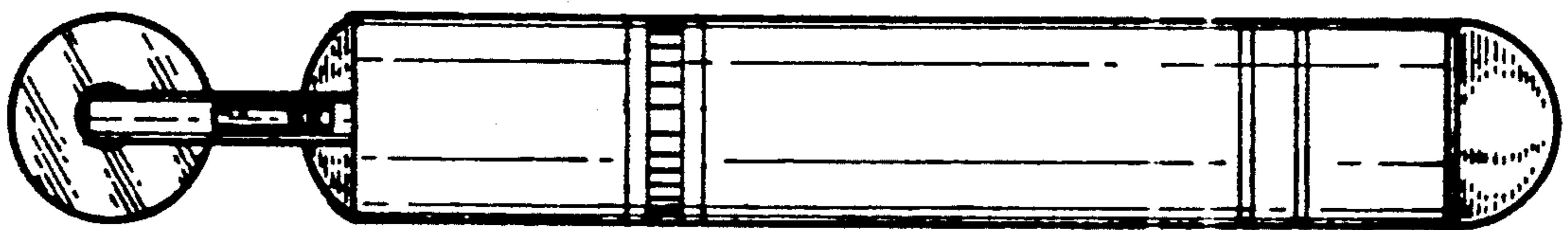


FIG. 4

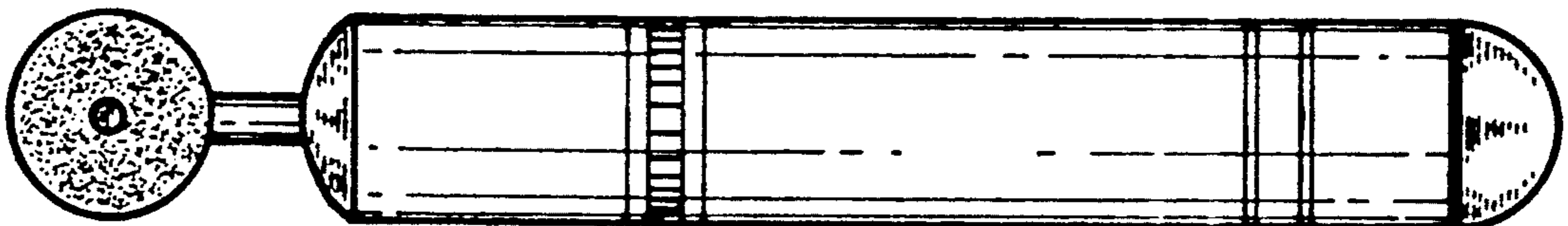


FIG. 5

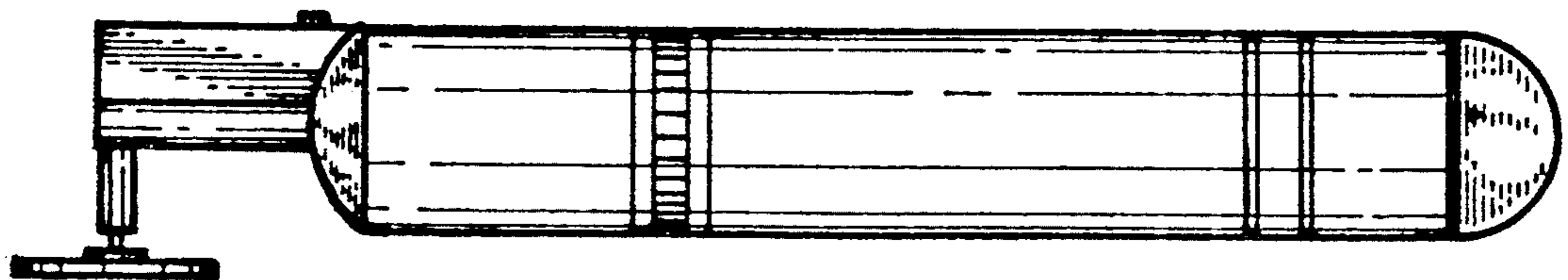


FIG. 6