



US00D347078S

United States Patent [19]

[11] Patent Number: **Des. 347,078**

Lyons et al.

[45] Date of Patent: **** May 17, 1994**

[54] **INTERIOR MOUNTED WARNING LIGHT FOR EMERGENCY VEHICLES**

D. 279,927	7/1985	Preisler et al.	D26/35
D. 309,951	8/1990	Charet et al.	D26/35
1,707,874	4/1929	Raidt	362/80

[75] Inventors: **Jon H. Lyons, Deep Rivert; Harold W. Lyons, Killingworth, both of Conn.**

Primary Examiner—Susan J. Lucas
Attorney, Agent, or Firm—Chilton, Alix & Van Kirk

[73] Assignee: **Whelen Technologies, Inc., Chester, Conn.**

[57] **CLAIM**

[**] Term: **14 Years**

The ornamental design for an interior mounted warning light for emergency vehicles, as shown and described.

[21] Appl. No.: **808,297**

DESCRIPTION

[22] Filed: **Dec. 16, 1991**

FIG. 1 is a perspective view of an interior mounted warning light for emergency vehicles shown in our new design;

[52] U.S. Cl. **D26/35**

FIG. 2 is a front view thereof;

[58] Field of Search 362/61, 80.1, 80, 83, 362/83.3, 269, 275, 285, 418, 419, 427; D26/28-36, 63

FIG. 3 is a bottom view thereof;

FIG. 4 is a side elevational view thereof taken from the left side as the device is depicted in FIG. 2, the device having the identical appearance when viewed from the opposite side;

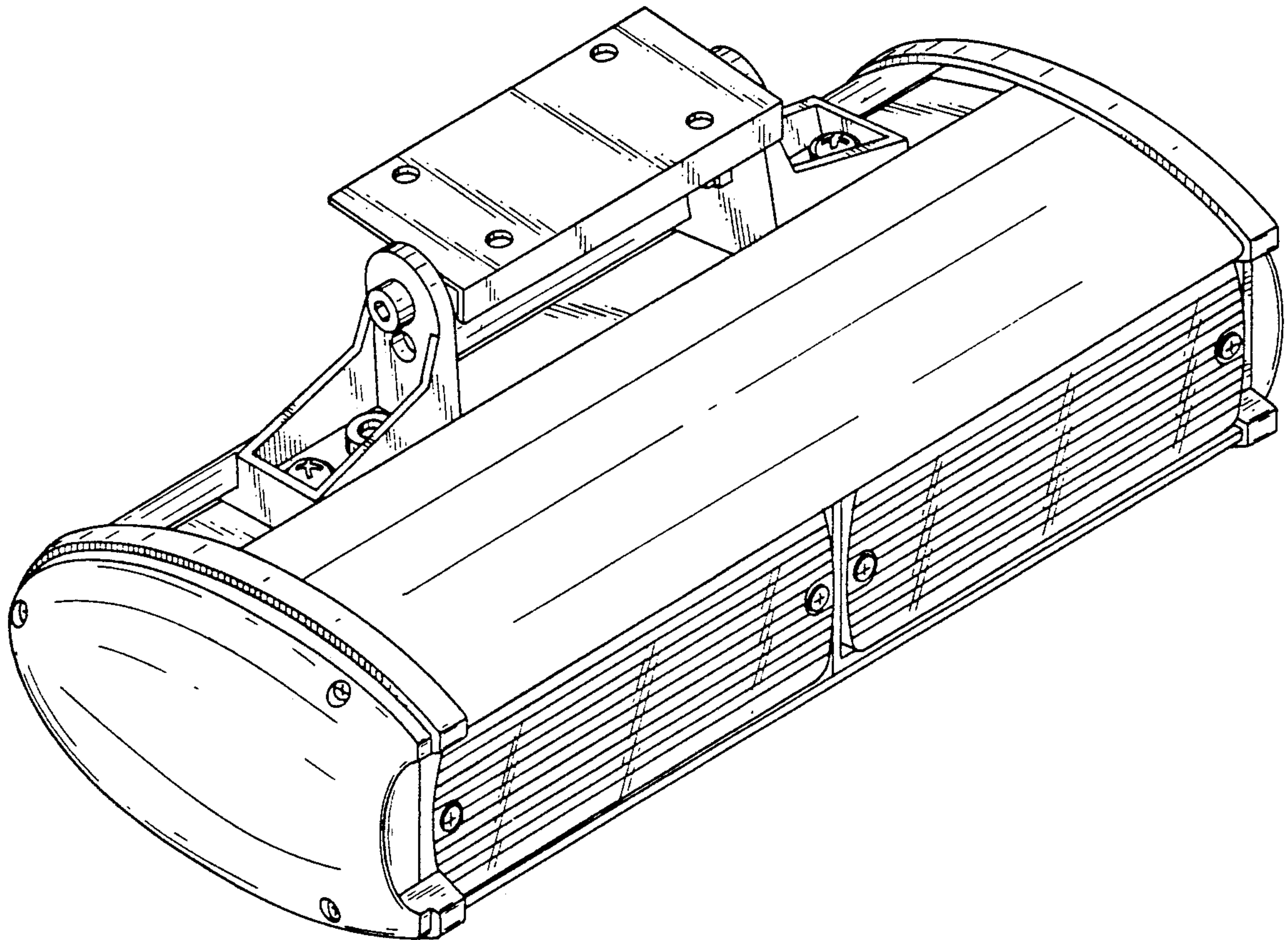
[56] **References Cited**

U.S. PATENT DOCUMENTS

D. 254,995 5/1980 Alsman D26/35

FIG. 5 is a top plan view thereof; and,

FIG. 6 is a rear elevational view thereof.



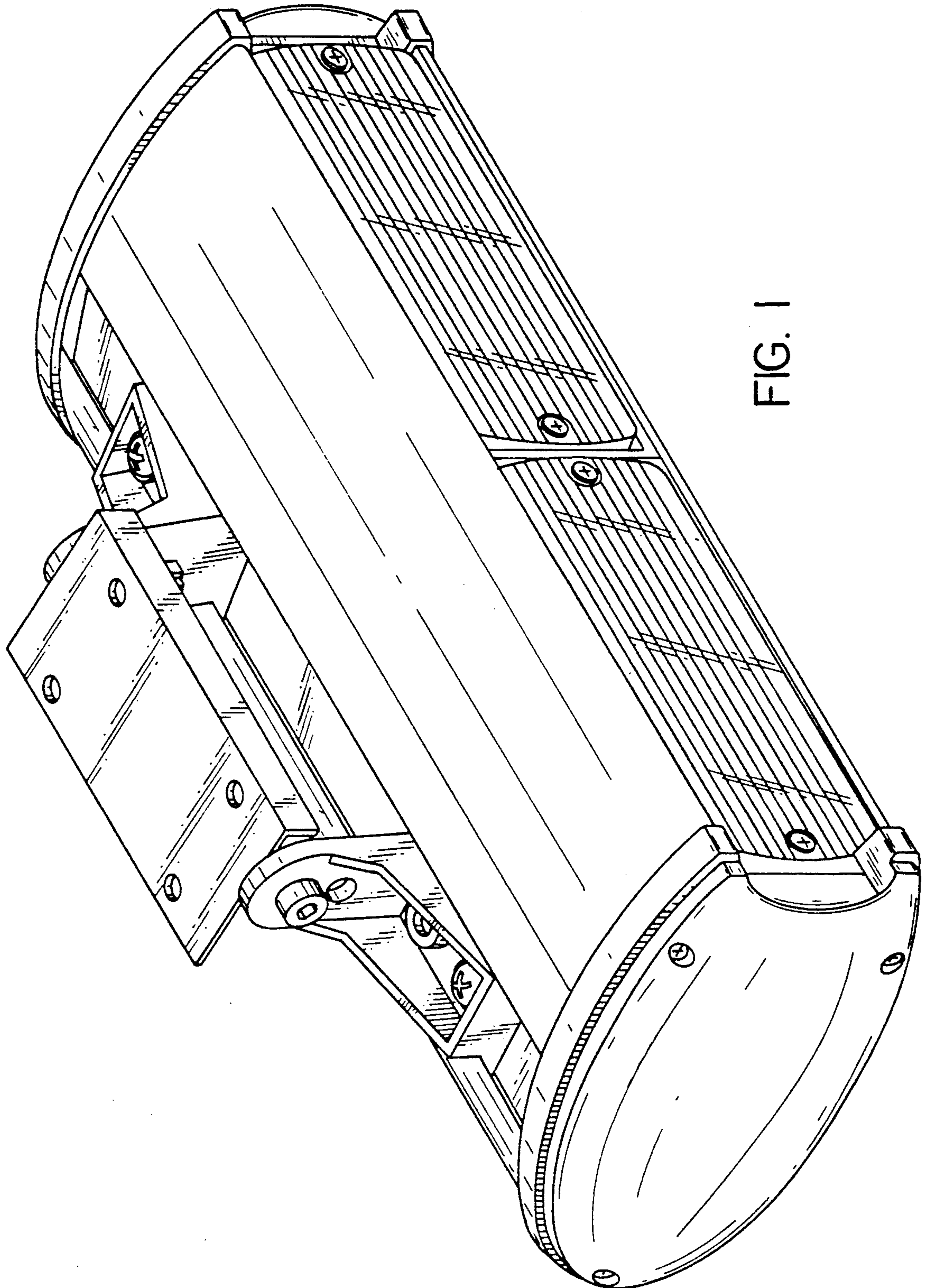


FIG. 1

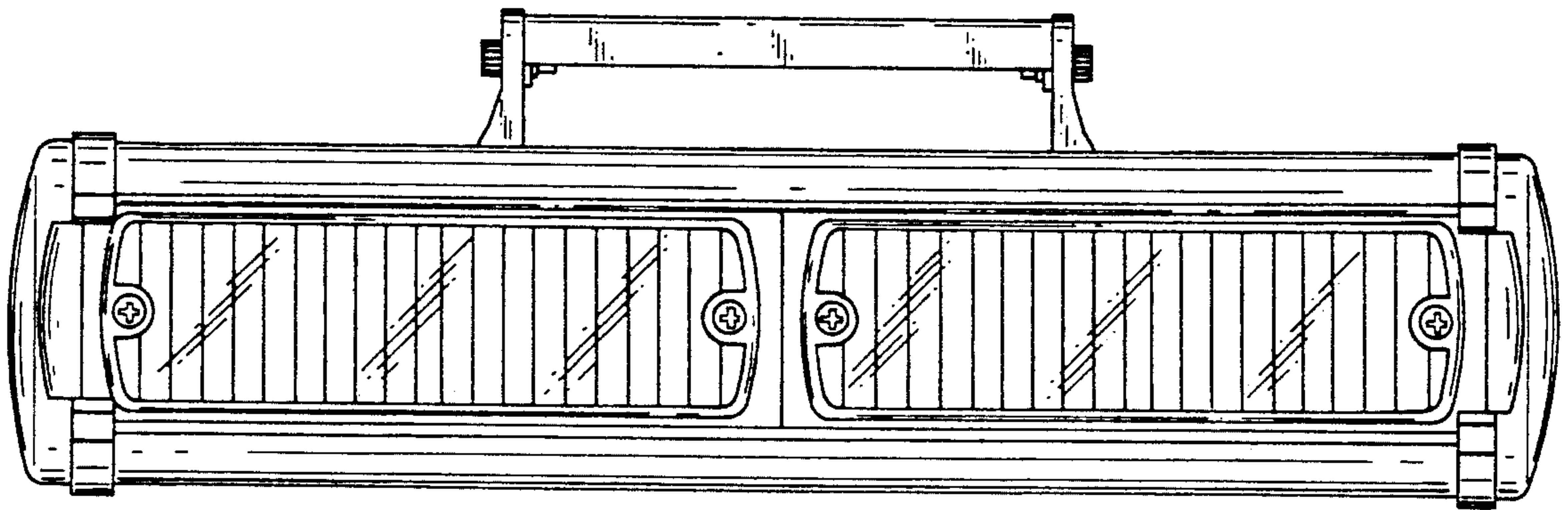


FIG. 2

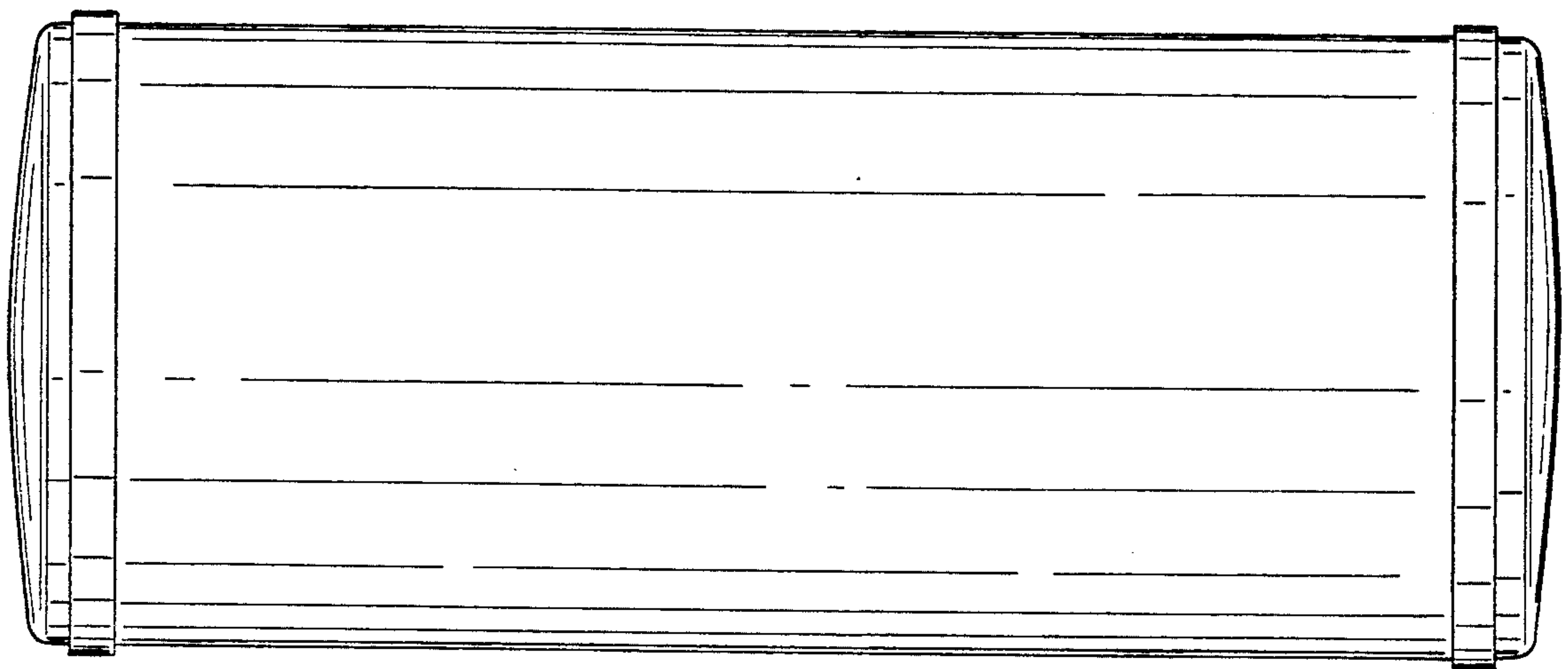


FIG. 3

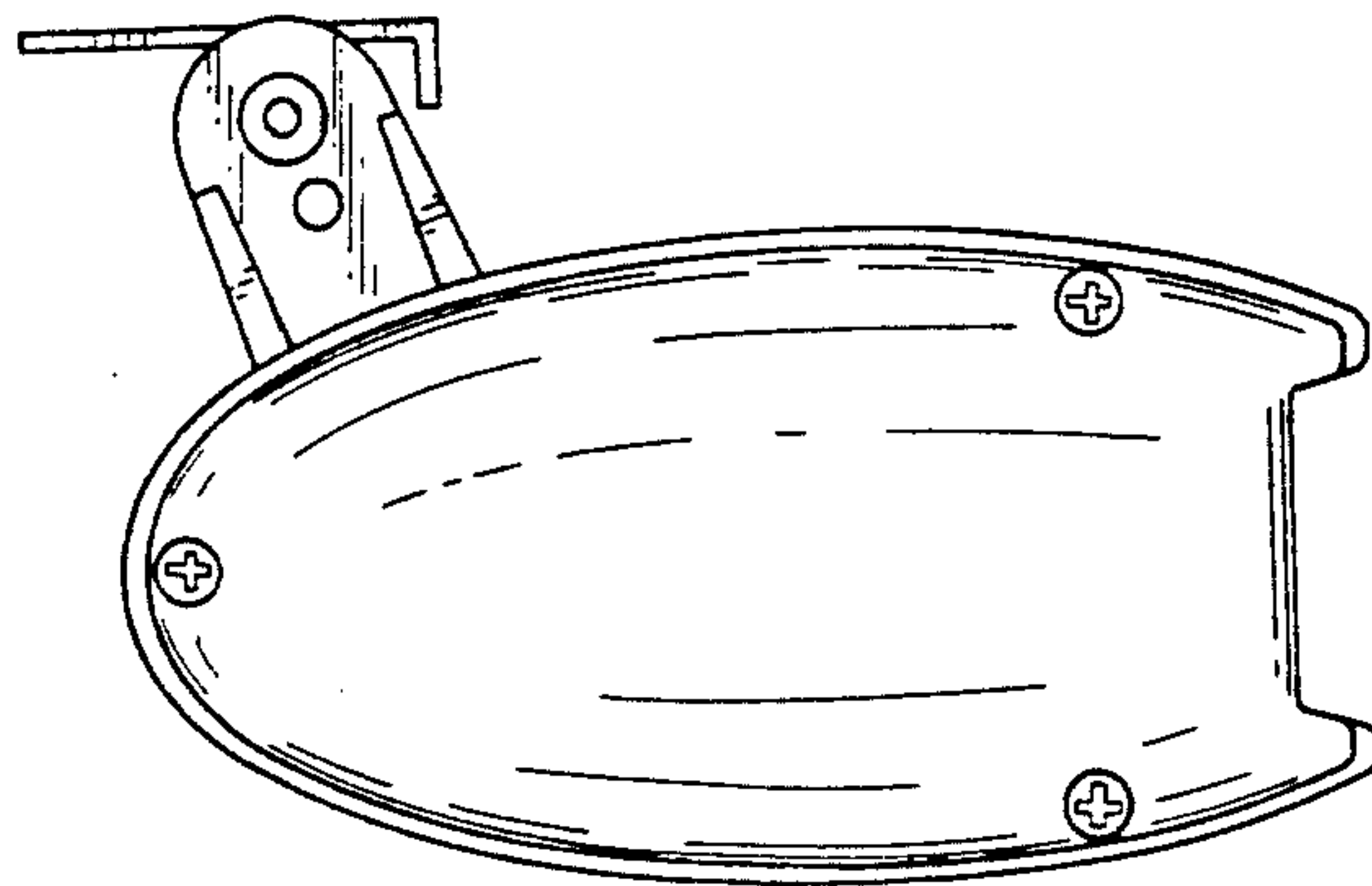


FIG. 4

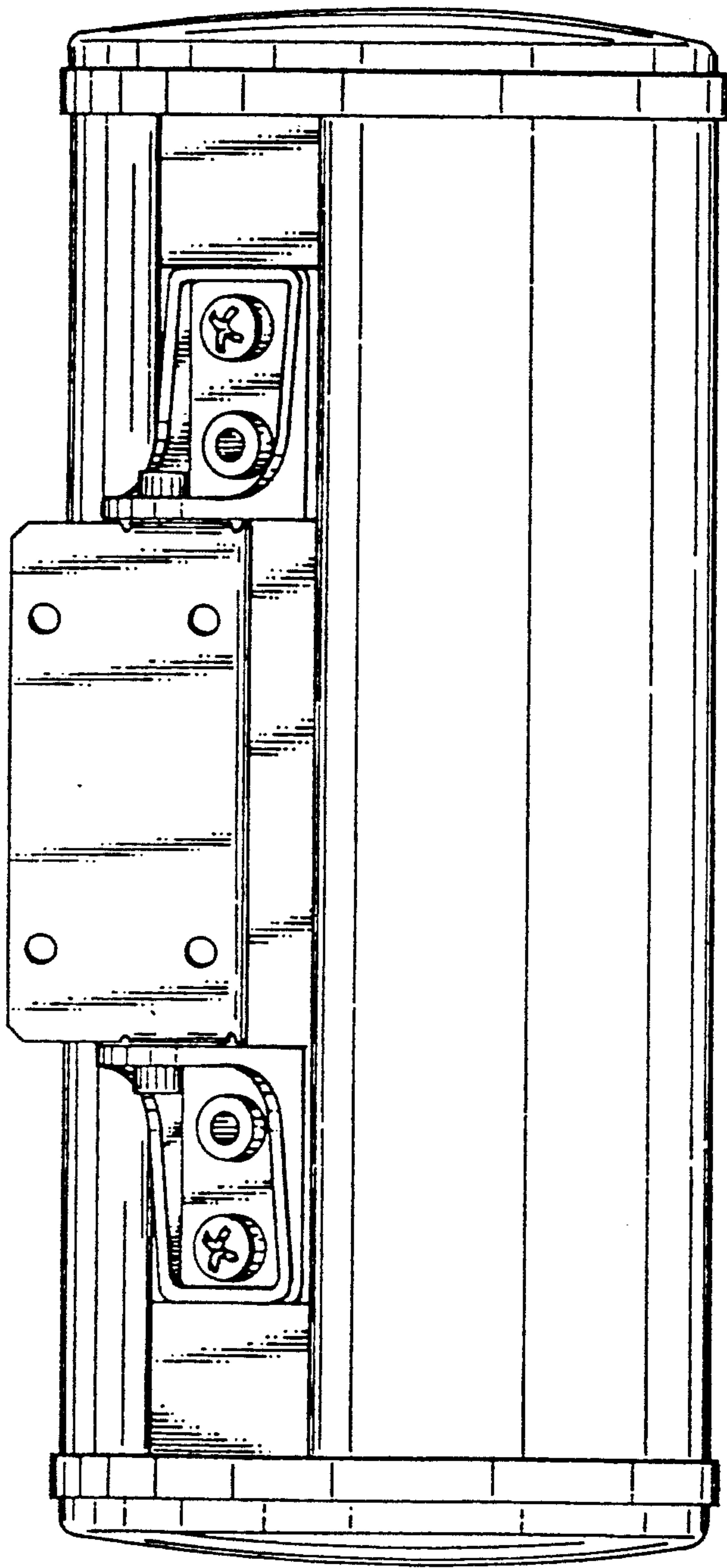


FIG. 5

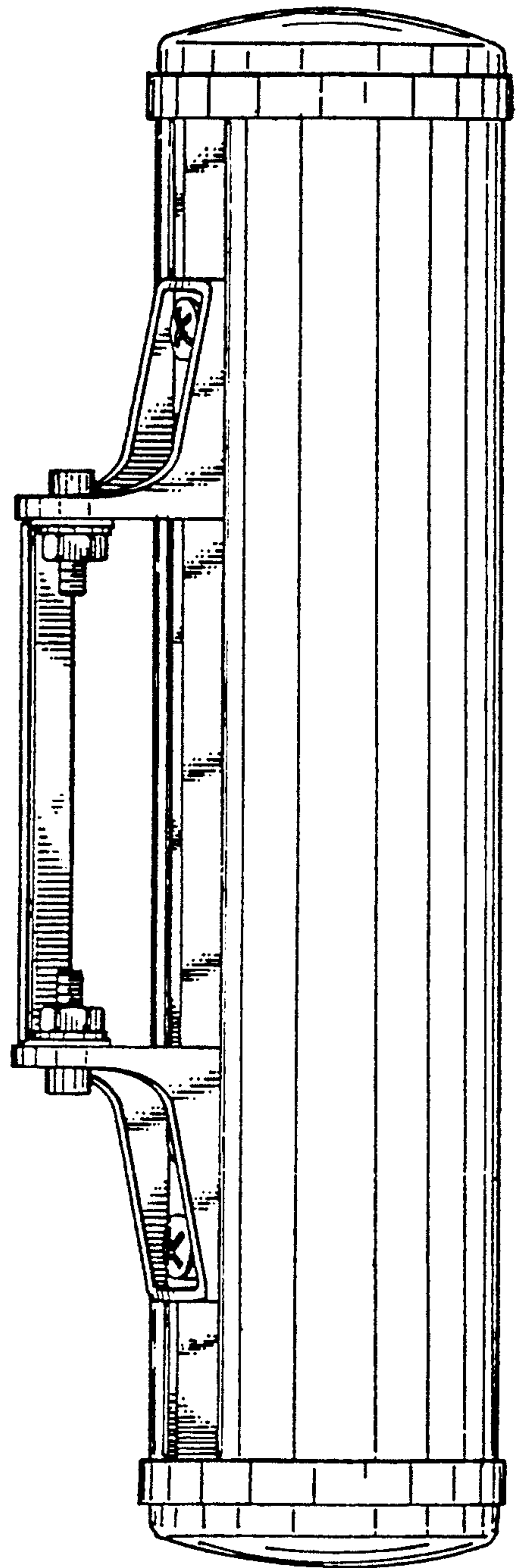


FIG. 6