



US00D347072S

United States Patent [19]

[11] Patent Number: Des. 347,072

Hallin

[45] Date of Patent: ** May 17, 1994

[54] LAKE DOCK POLE

[76] Inventor: Mark P. Hallin, 1305 Elmwood Ave., Mound, Minn. 55364

[**] Term: 14 Years

[21] Appl. No.: 867,797

[22] Filed: Apr. 10, 1992

[52] U.S. Cl. D25/126

[58] Field of Search 405/4/6, 28; 256/19, 256/DIG. 5; D25/131, 126; D26/1

[56] References Cited

U.S. PATENT DOCUMENTS

D. 331,977	12/1992	McClothen	D25/126
3,302,413	2/1967	Bonett	405/61
3,688,439	9/1972	Doysee	D25/126
4,355,431	10/1982	Diefendaht et al.	405/218
4,776,726	10/1988	Viles	405/218

Primary Examiner—A. Hugo Word
Assistant Examiner—Doris Clark
Attorney, Agent, or Firm—Merchant, Gould, Smith, Edell, Welter & Schmidt

[57] CLAIM

The ornamental design for a lake dock pole, as shown as described.

DESCRIPTION

FIG. 1 is a top, front and left side perspective view of a lake dock pole showing my new design, the rear being

plain and unornamented, the broken lines showing a rope are for illustrative purposes only and form no part of the claimed design;

FIG. 2 is a left side elevational view of a second embodiment of a lake dock pole showing my new design, the lake dock pole being the same as that in FIG. 1 except the second embodiment of the lake dock pole bears no opening for a rope nor a light on its front surface;

FIG. 3 is a front elevational view of a third embodiment of a lake dock pole showing my new design, the lake dock pole being the same as that in FIG. 1 except there is no light on the front of this embodiment of the lake dock pole;

FIG. 4 is a top, rear, and left side perspective view thereof;

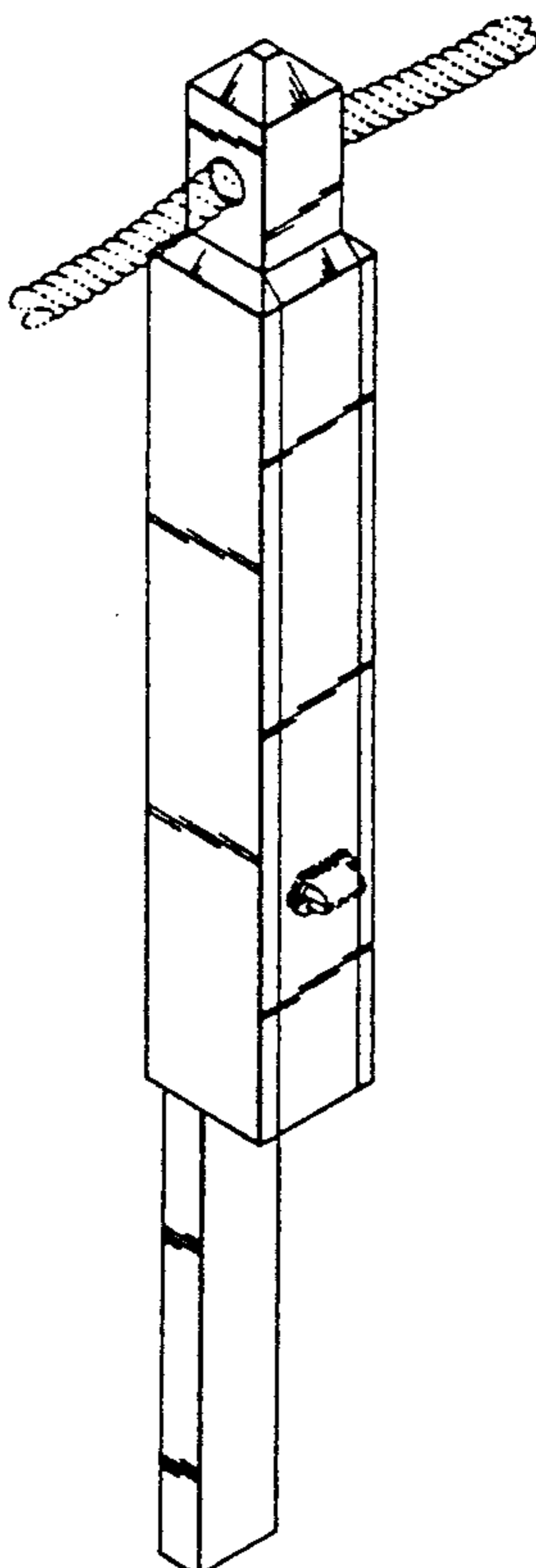
FIG. 5 is a top, rear, and left side perspective view of a fourth embodiment of a lake dock pole showing my new design, the front being plain and unornamented;

FIG. 6 is a top, rear, and left side perspective view of a fifth embodiment of a lake dock pole showing my new design, the front being plain and unornamented;

FIG. 7 is a rear elevational view of a sixth embodiment of a lake dock pole showing my new design, the top, sides, and front being identical to the embodiment in FIG. 4; and,

FIG. 8 is a top plan view of the lake dock pole in FIG. 6.

The bottom of the lake dock pole being plain and unornamented.



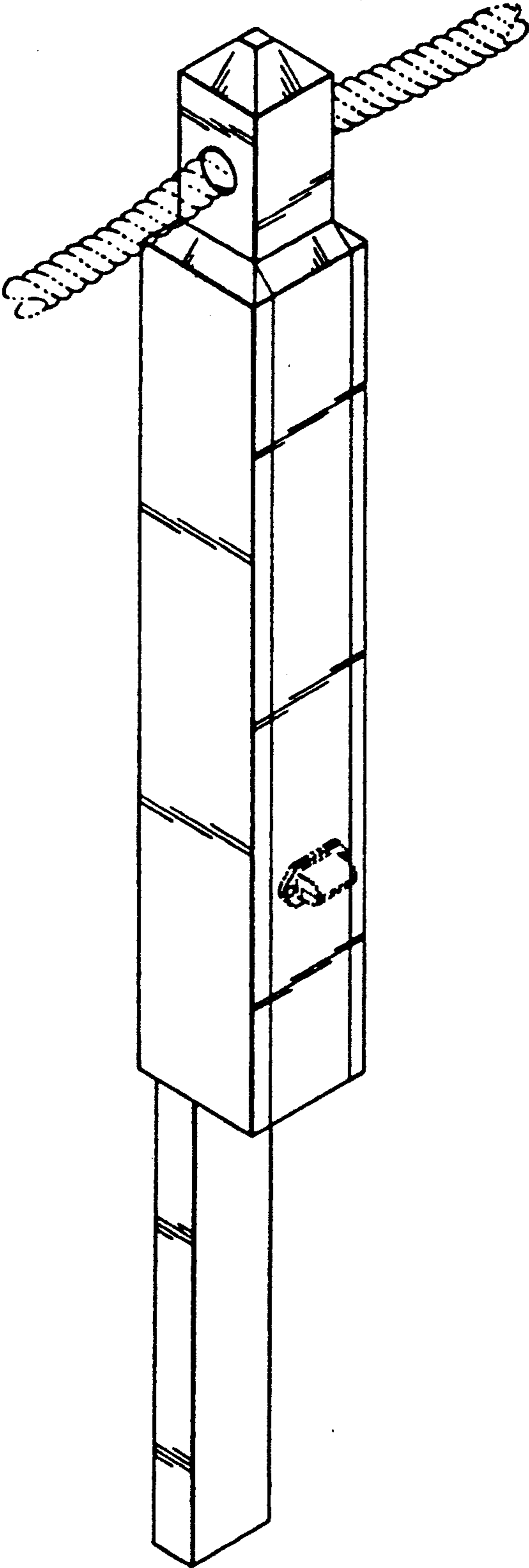


FIG. 1

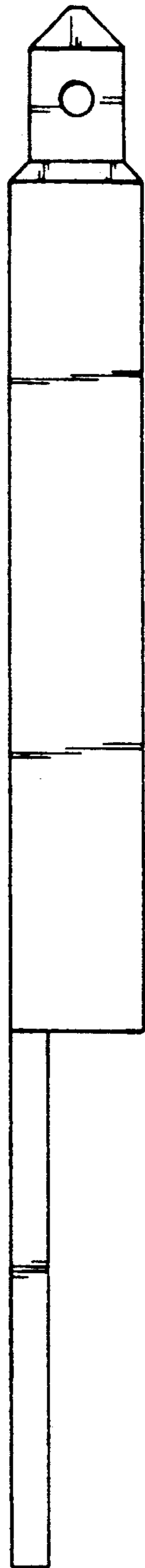


FIG. 2

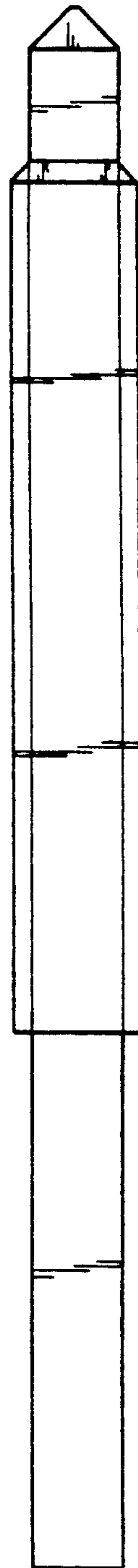


FIG. 3

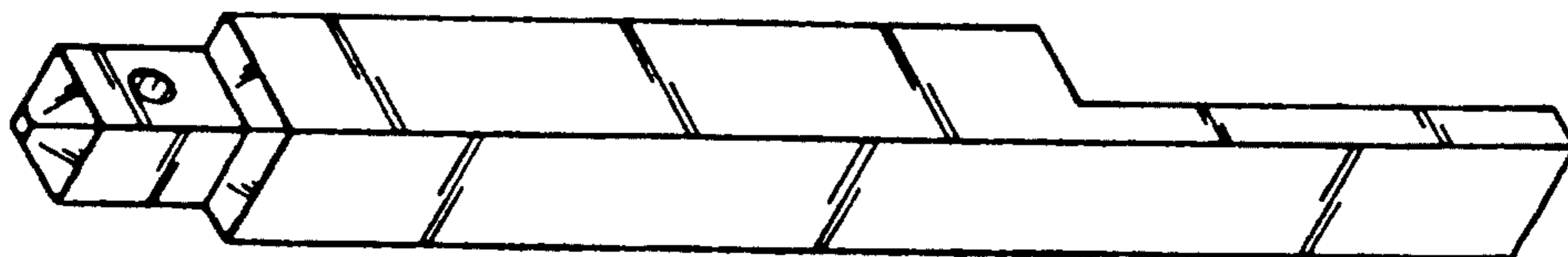


FIG. 6

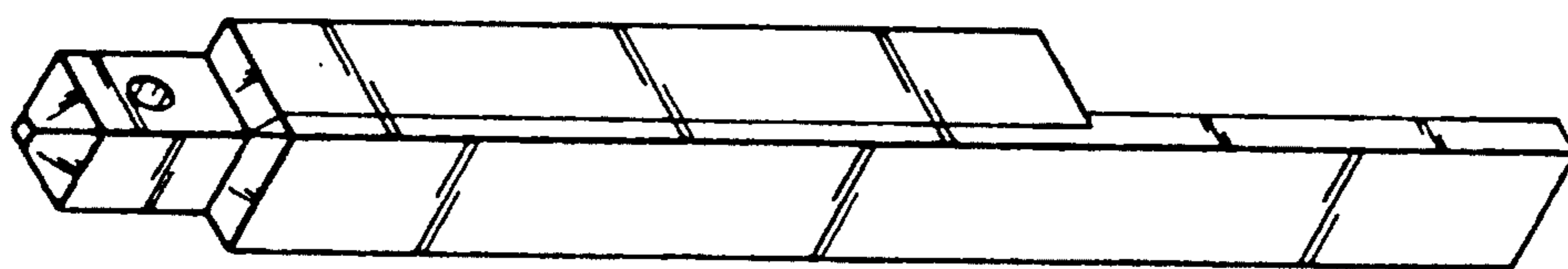


FIG. 5

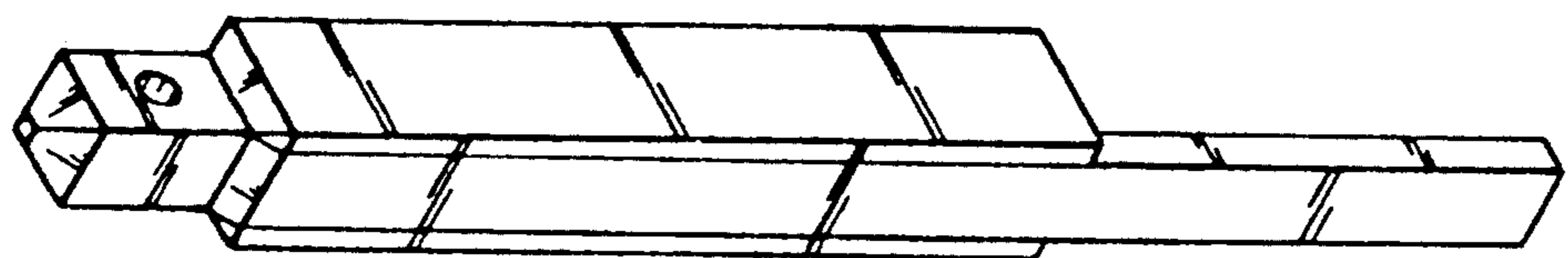


FIG. 4

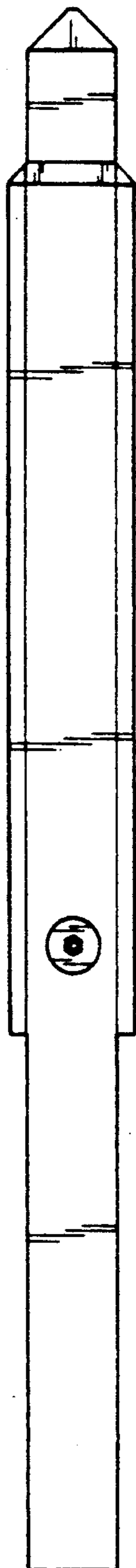


FIG. 7

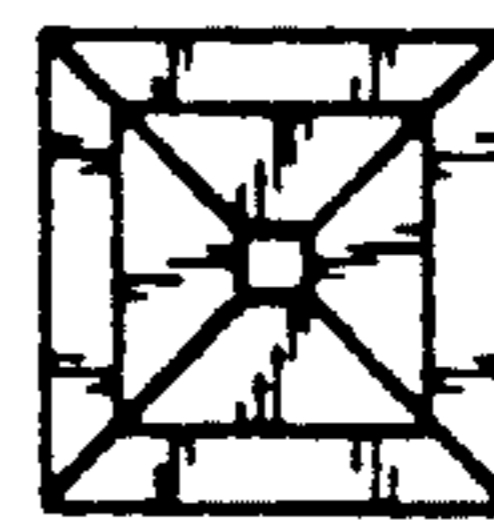


FIG. 8