



US00D347070S

United States Patent [19]

[11] Patent Number: **Des. 347,070**

Anderson et al.

[45] Date of Patent: **** May 17, 1994**

[54] **FACING BLOCK**

[75] Inventors: **Peter L. Anderson**, Centreville;
Michael J. Cowell, Leesburg; **Dan J. Hotek**, Chantilly, all of Va.

[73] Assignee: **Societe Civile des Brevets Henri C. Vidal**, Le Pecq, France

[**] Term: **14 Years**

[21] Appl. No.: **9,442**

[22] Filed: **Jun. 4, 1993**

D. 300,254	3/1989	Forsberg	D25/114
3,418,774	12/1968	Kocher et al.	52/608
4,608,795	9/1986	Neuschaeffer et al.	52/596
4,776,728	10/1988	Sprehn	405/285
4,802,320	2/1989	Forsberg	52/608

Primary Examiner—A. Hugo Word
Assistant Examiner—Doris Clark
Attorney, Agent, or Firm—Allegretti & Witcoff, Ltd.

[57] CLAIM

The ornamental design for a facing block, as shown and described.

DESCRIPTION

FIG. 1 is a perspective view of the facing block;
FIG. 2 is a top plan view of the block of FIG. 1;
FIG. 3 is a bottom plan view of the block of FIG. 1;
FIG. 4 is a front plan view of the block of FIG. 1;
FIG. 5 is a back plan view of the block of FIG. 1;
FIG. 6 is a side plan view of the block of FIG. 1;
FIG. 7 is a sectional view taken along the line 7—7 in FIG. 2; and,
FIG. 8 is sectional view taken along the line 8—8 in FIG. 2.

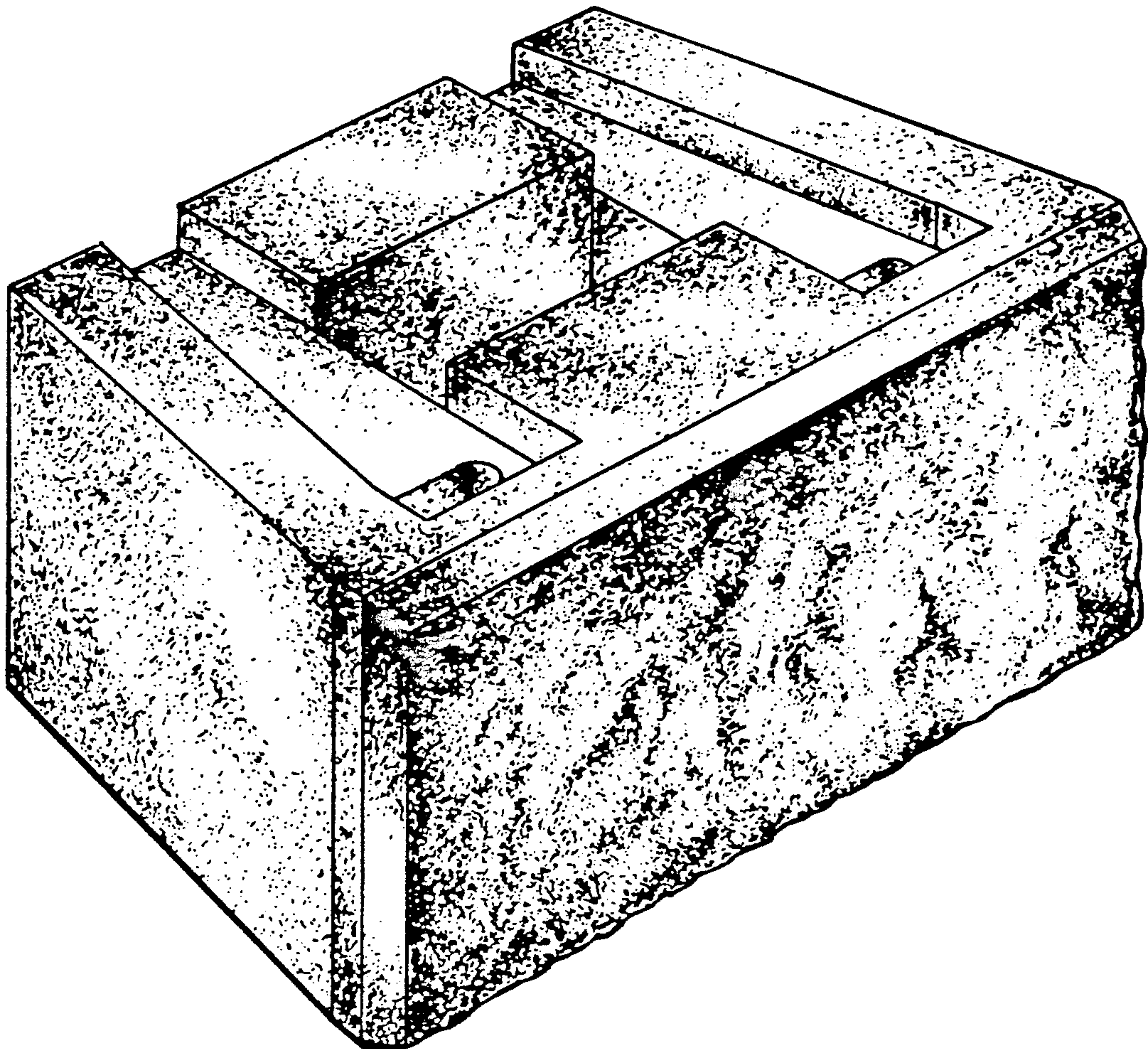
Related U.S. Application Data

[63] Continuation of Ser. No. 40,904, Mar. 31, 1993.
[52] U.S. Cl. **D25/114**
[58] Field of Search 52/596, 608; 405/21,
405/284, 285; D25/113, 114, 118

[56] References Cited

U.S. PATENT DOCUMENTS

D. 183,597 9/1958 Clark D25/114
D. 300,253 3/1989 Forsberg D25/114



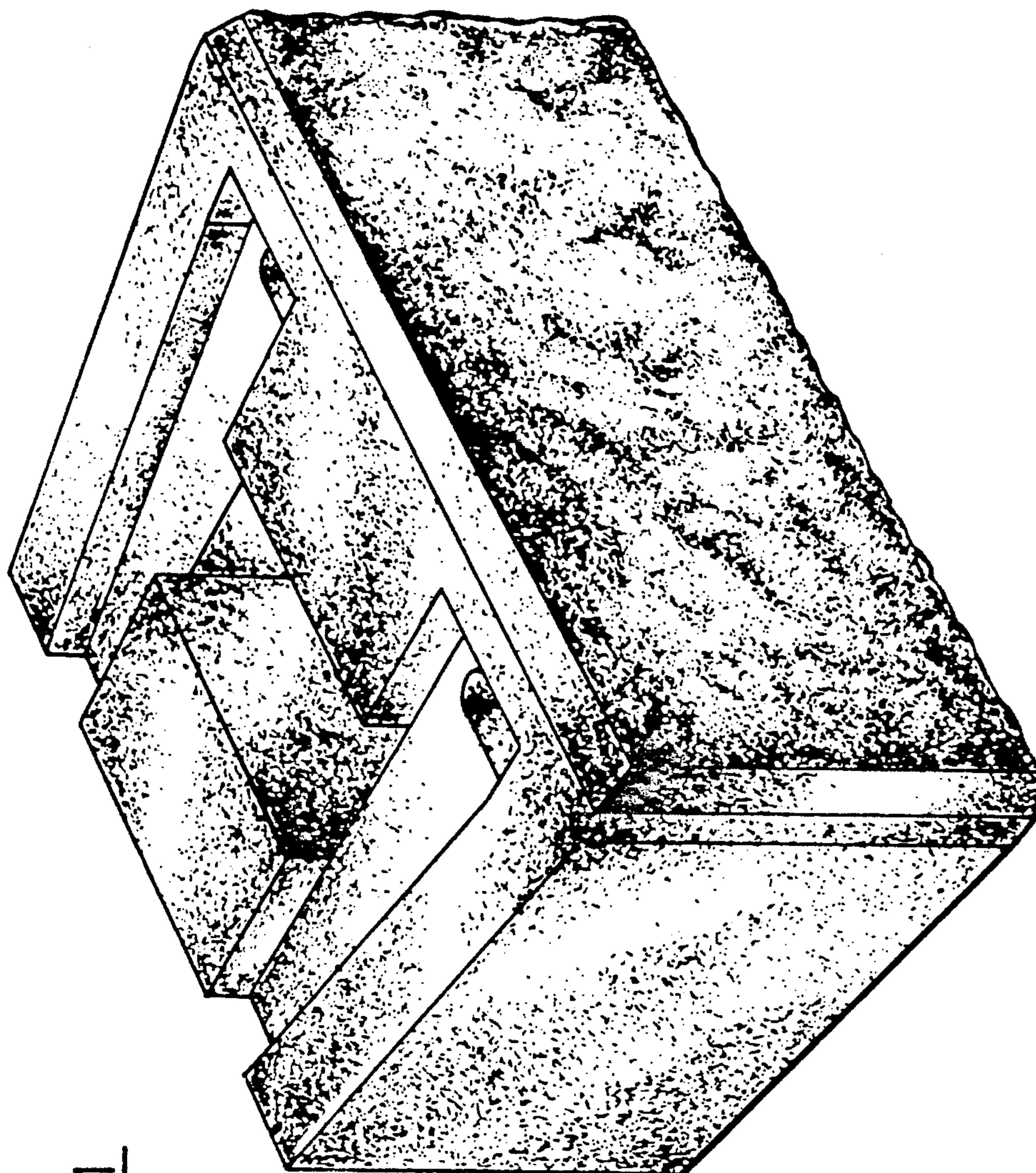


FIG. 1

FIG. 2

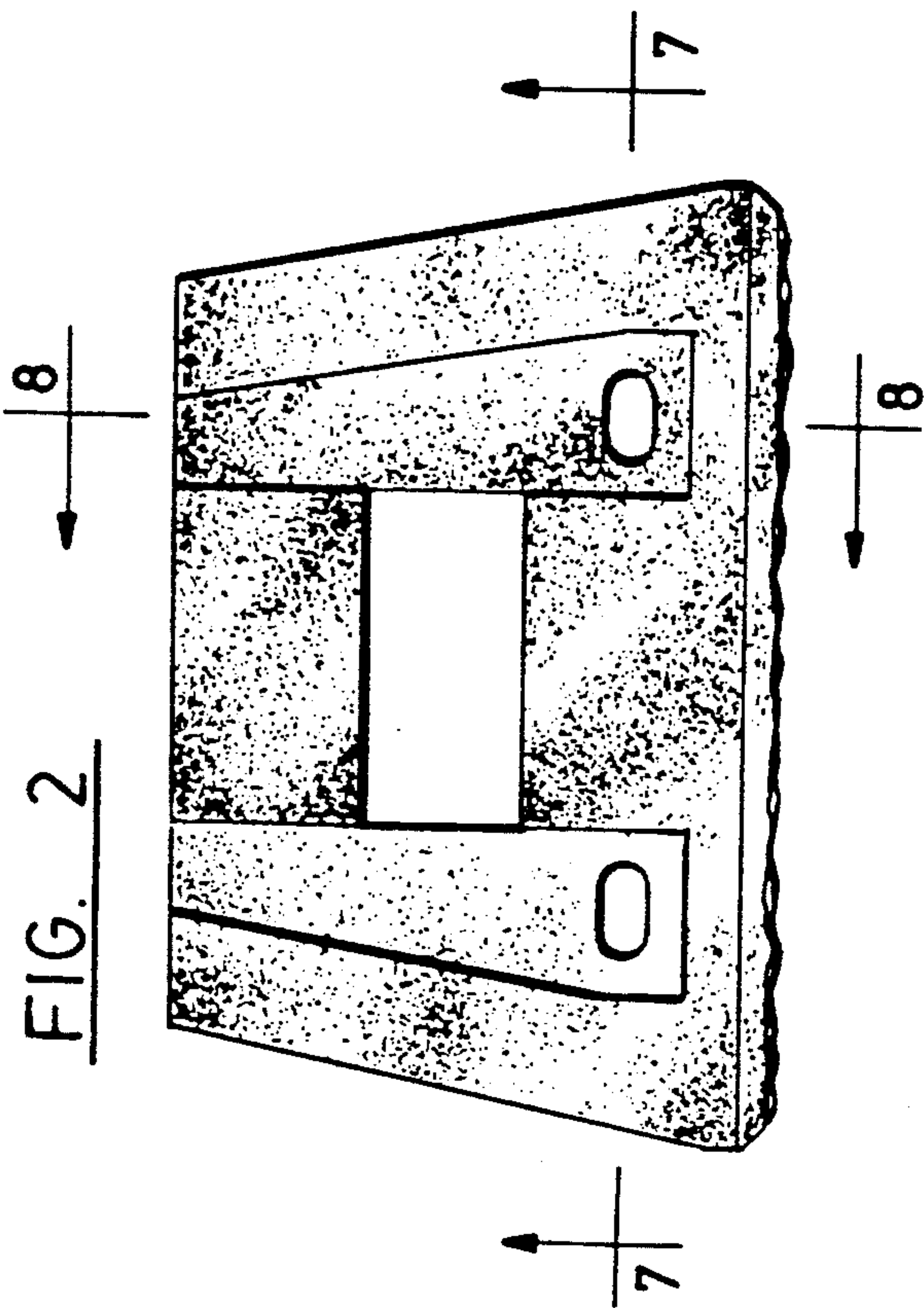


FIG. 4



FIG. 3

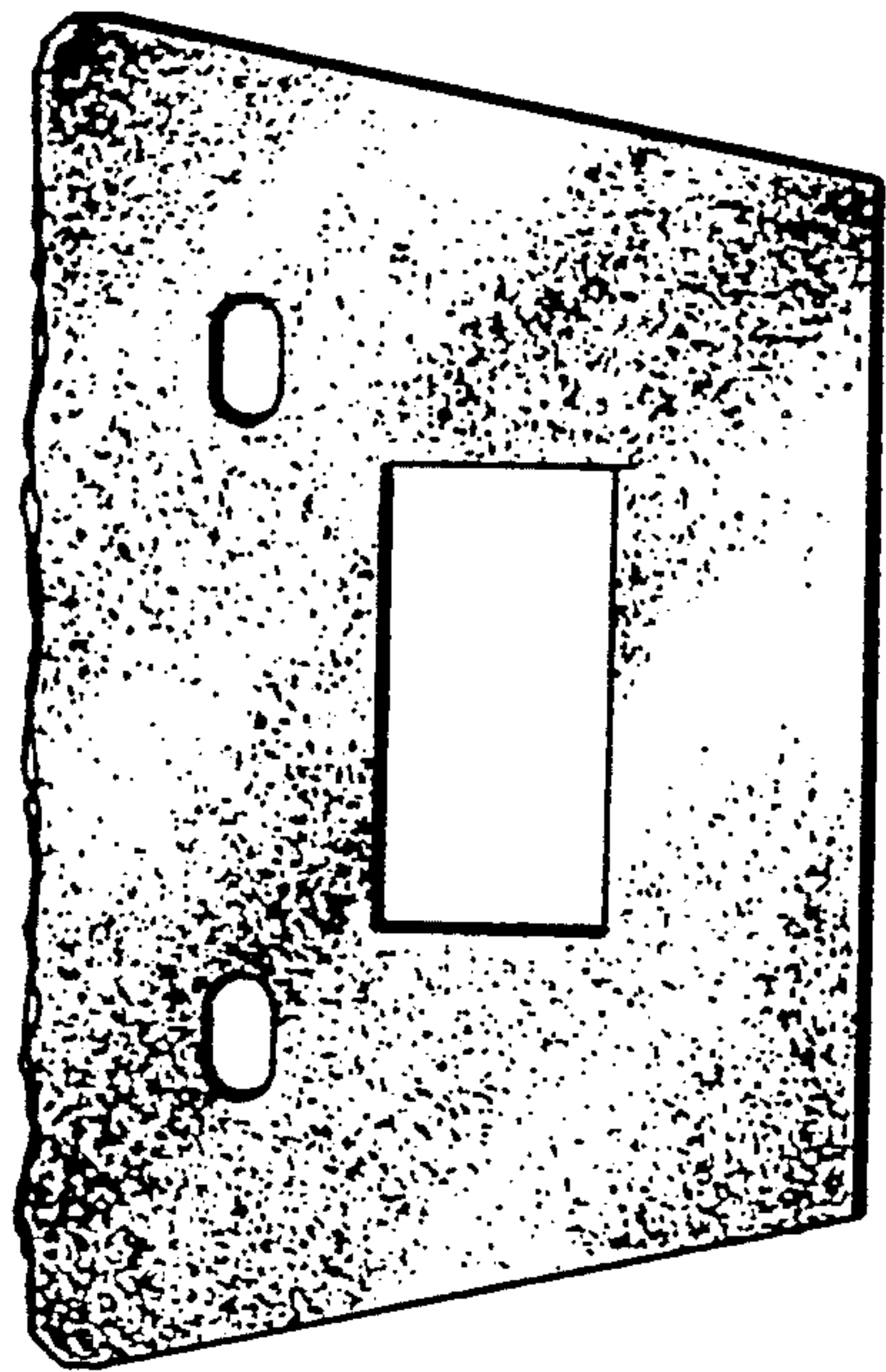


FIG. 5



FIG. 7

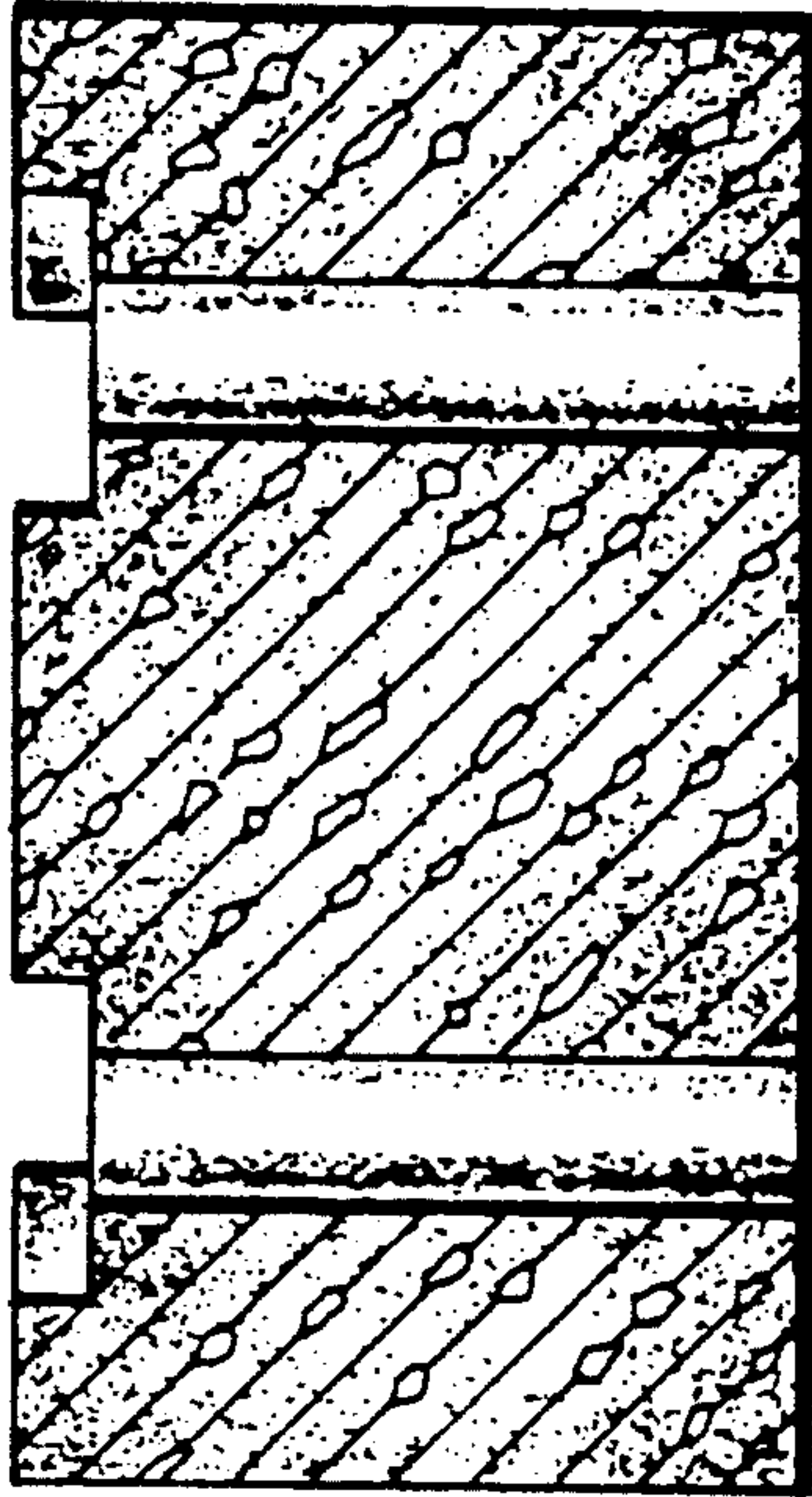


FIG. 6



FIG. 8

