



US00D347068S

# United States Patent [19]

[11] Patent Number: **Des. 347,068**

Rota

[45] Date of Patent: **\*\* May 17, 1994**

[54] **AUTOMATIC SLIDING DOOR**  
 [75] Inventor: **Michèle Rota**, Winkel, Switzerland  
 [73] Assignee: **AG Fur Turautomation**, Fehraltorf, Switzerland  
 [\*\*] Term: **14 Years**  
 [21] Appl. No.: **842,583**  
 [22] Filed: **Feb. 27, 1992**

4,752,106 6/1988 Salvarani ..... 49/130  
 5,038,517 8/1991 Talbott ..... 47/17

*Primary Examiner*—A. Hugo Word  
*Assistant Examiner*—Doris Clark  
*Attorney, Agent, or Firm*—Robert P. Simpson; Michael L. Dunn

### [30] Foreign Application Priority Data

Mar. 9, 1991 [IB] Int'l Pat. Institute ..... DM/020.580  
 [52] U.S. Cl. .... **D25/48**  
 [58] Field of Search ..... 47/17; 49/150, 130, 49/142, 155, 166; D25/48, 52

### [57] CLAIM

The ornamental design for an automatic sliding door, as shown and described.

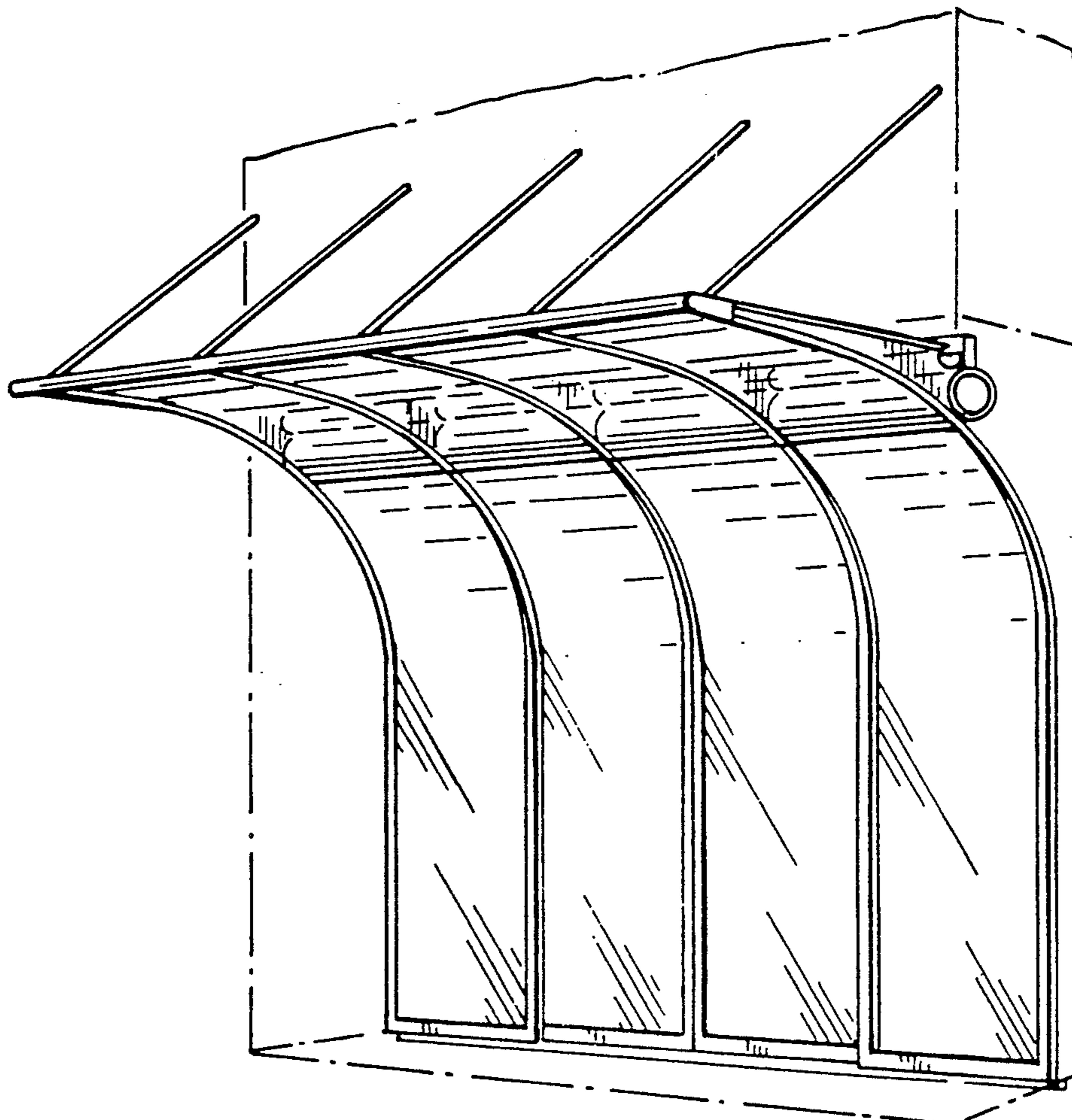
### [56] References Cited

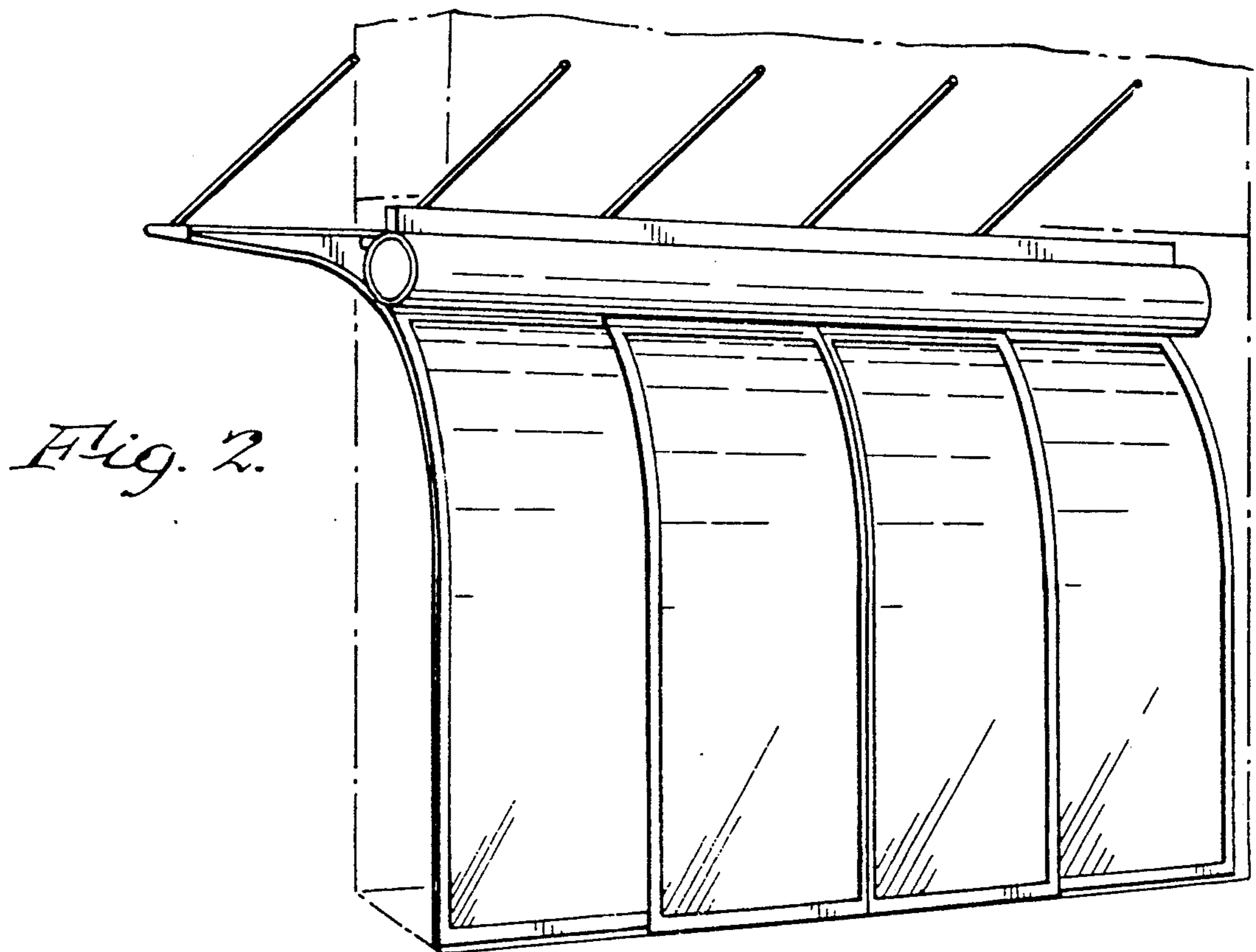
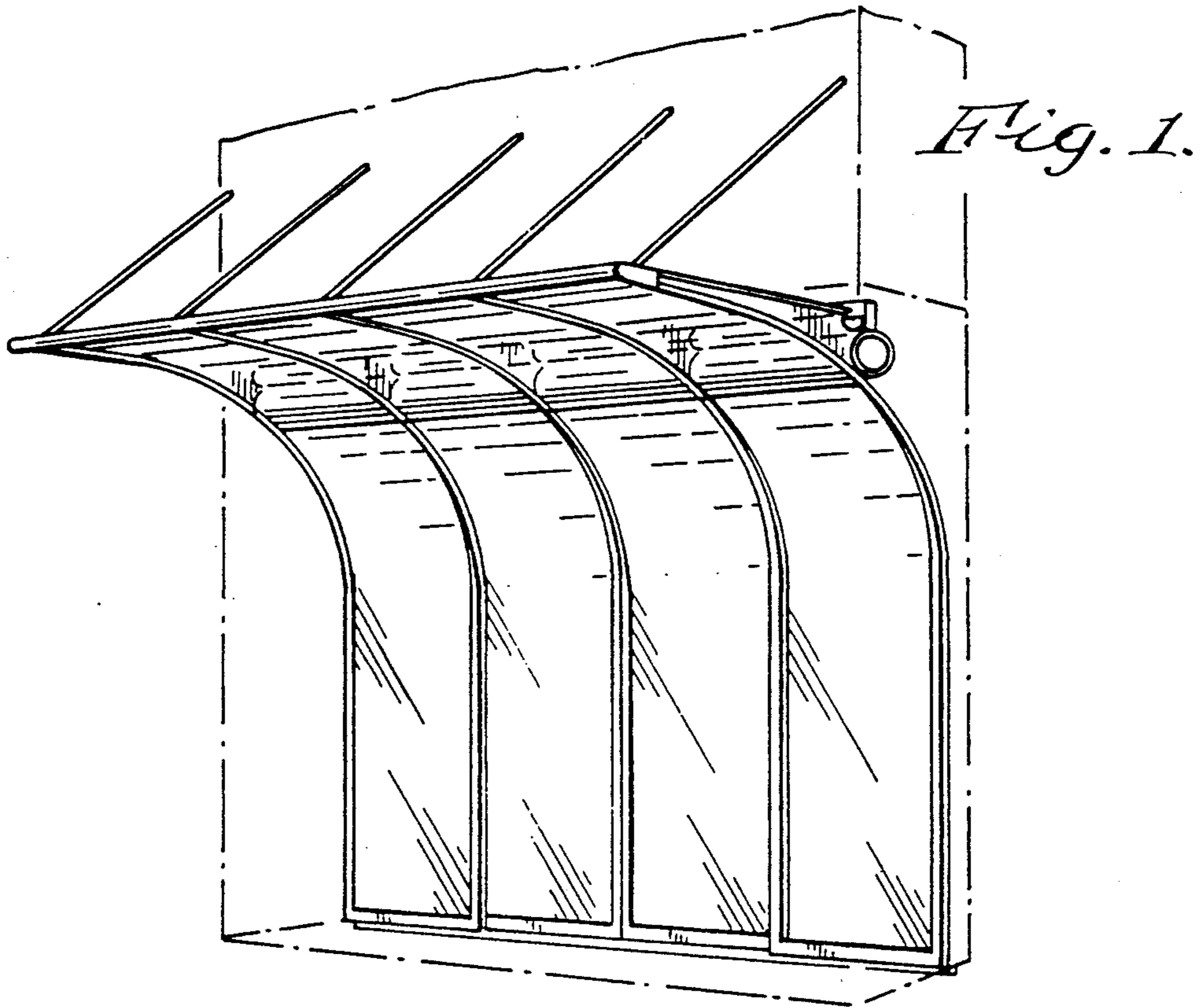
#### U.S. PATENT DOCUMENTS

D. 292,317	10/1987	Martinelli	.....	D25/48
1,948,596	2/1934	Ross	.....	49/155
2,511,108	6/1950	Hansen	.....	49/166
3,226,778	1/1966	Kollsman et al.	.....	49/130
3,864,881	2/1975	Wolf	.....	49/142
4,003,102	1/1977	Hawks et al.	.....	D25/48
4,596,093	6/1986	Esposito	.....	47/17

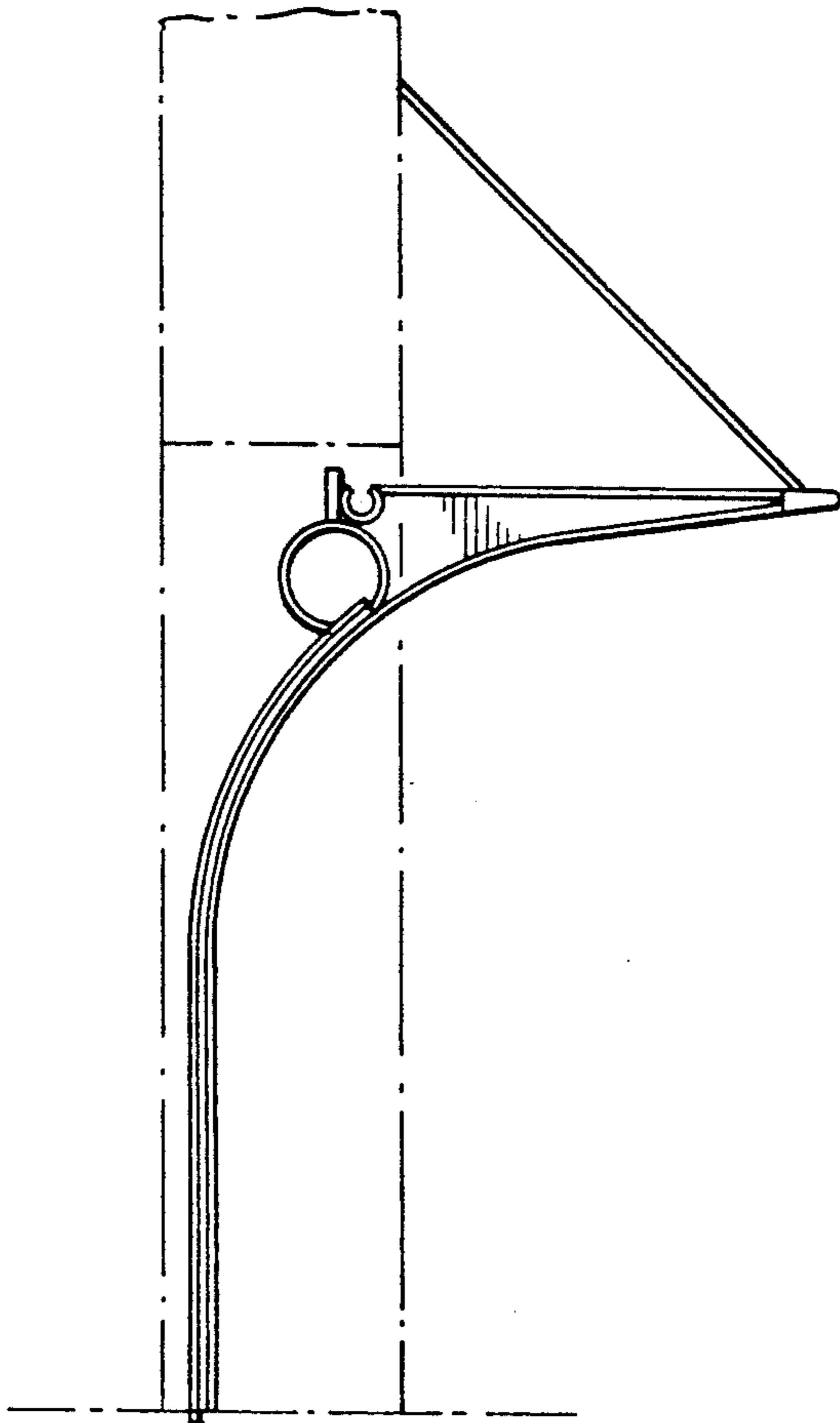
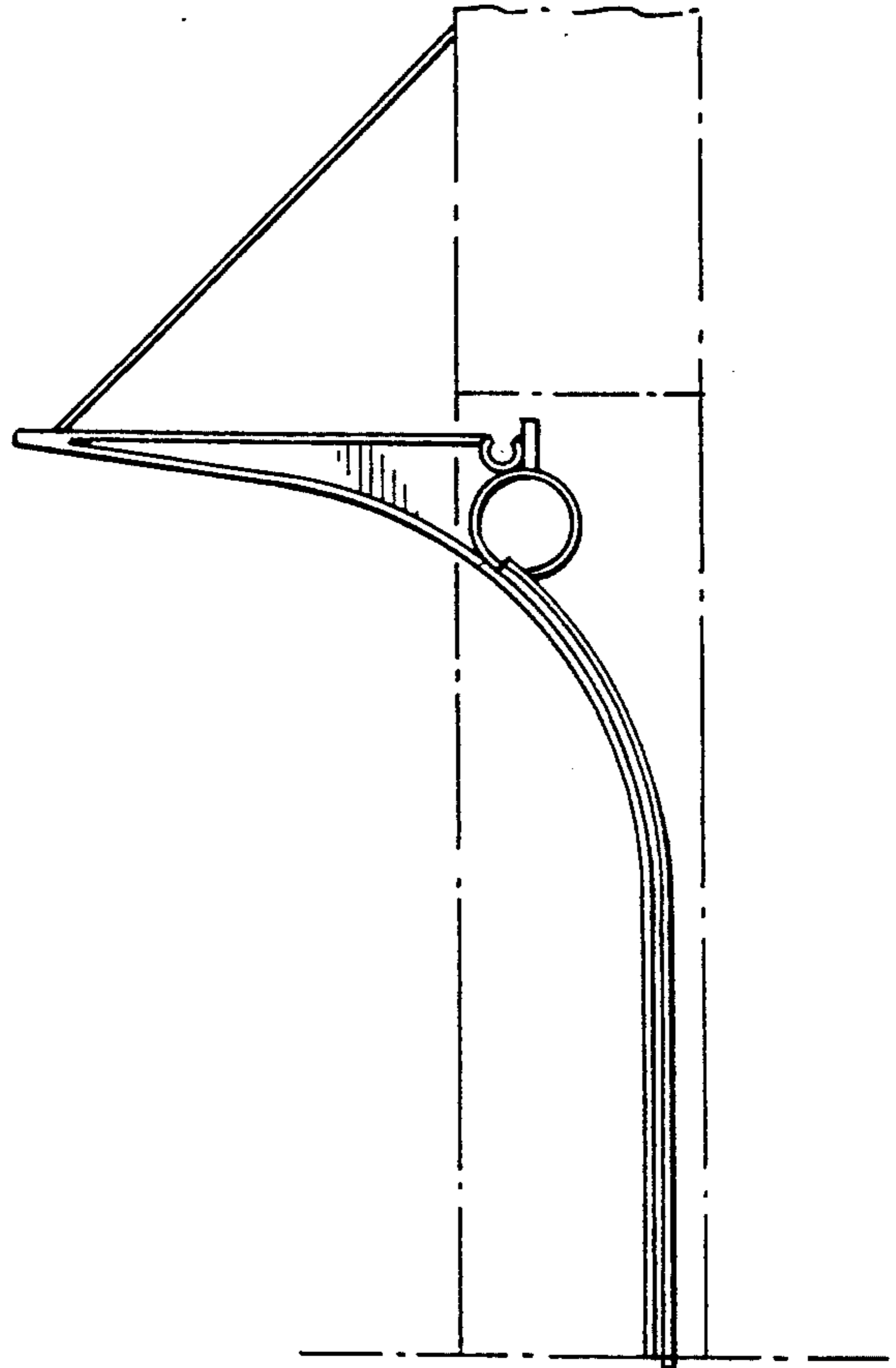
### DESCRIPTION

FIG. 1 is a rear elevational view of the automatic sliding door showing my new design, the broken lines showing the portal of a building are for illustrative purposes only and form no part of the claimed design;  
 FIG. 2 is a front elevational view thereof;  
 FIG. 3 is a right side elevational view thereof;  
 FIG. 4 is a left side elevational view thereof;  
 FIG. 5 is a front elevational view thereof;  
 FIG. 6 is a rear elevational view thereof;  
 FIG. 7 is a front elevational view showing the two central doors in a partial open position; and,  
 FIG. 8 is a top plan view of the automatic sliding door installed into the portal of a building.



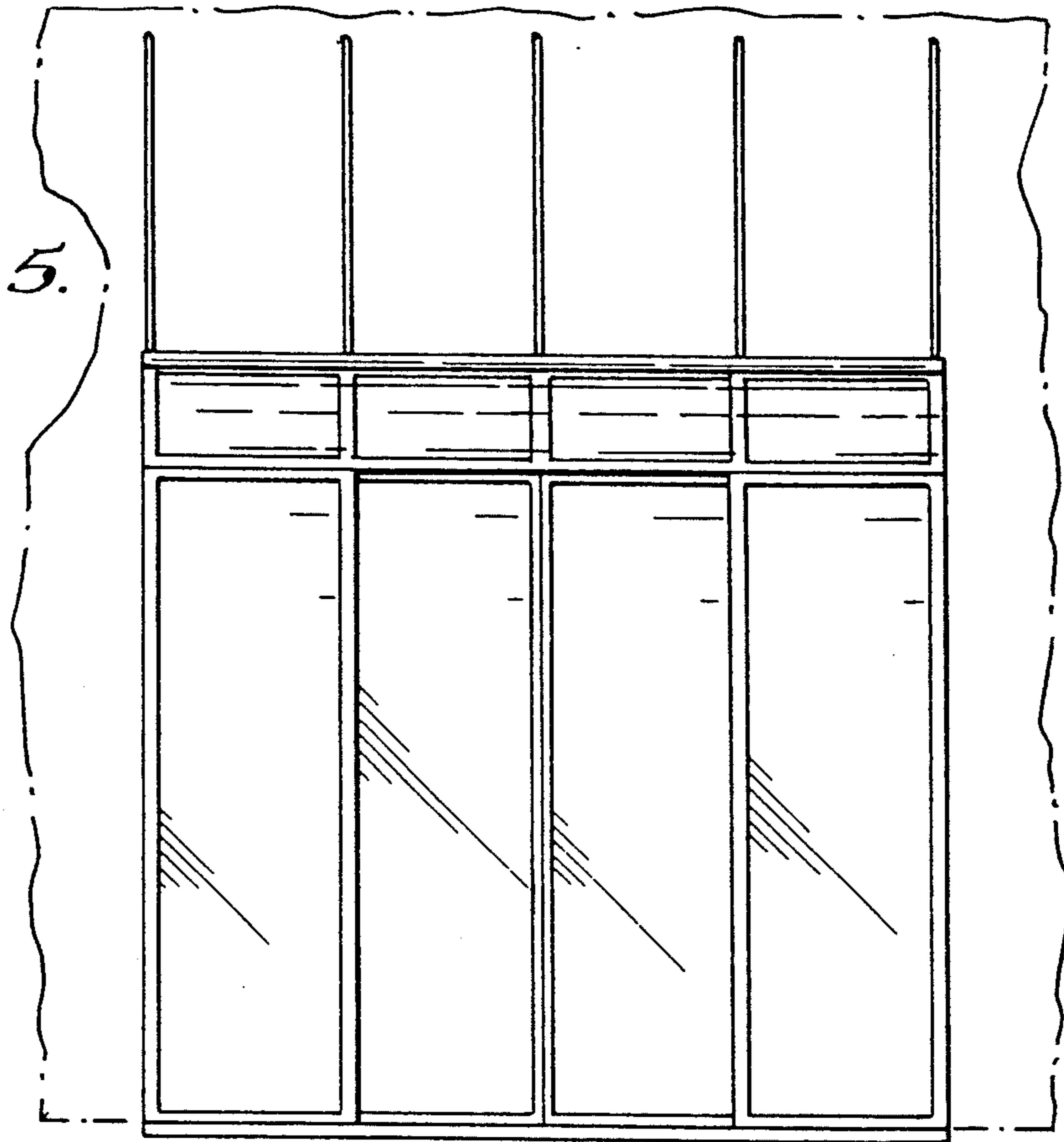


*Fig. 3.*

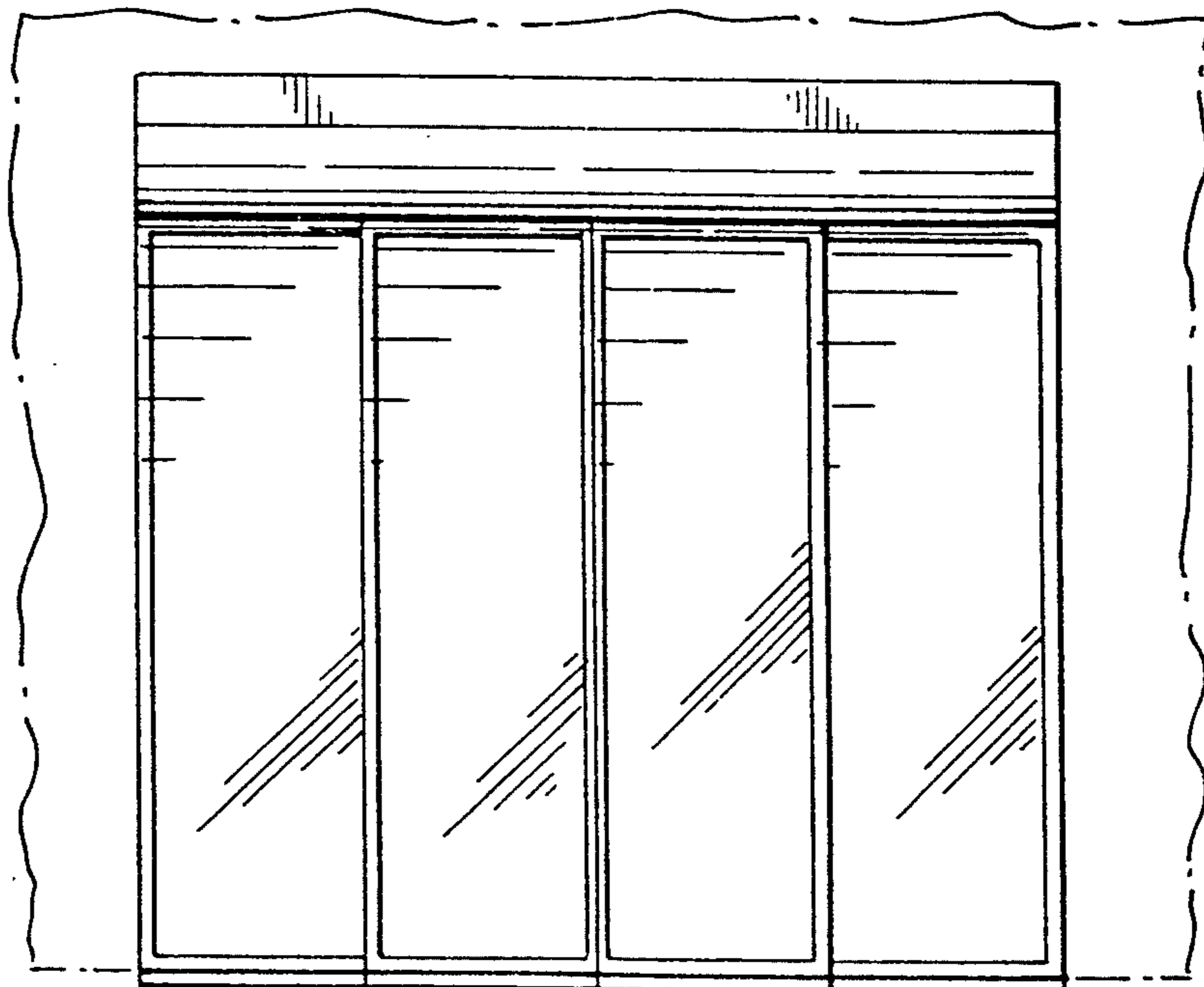


*Fig. 4.*

*Fig. 5.*



*Fig. 6.*





*Fig. 7.*

*Fig. 8.*

